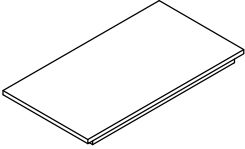
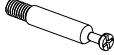

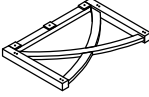
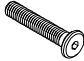



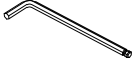


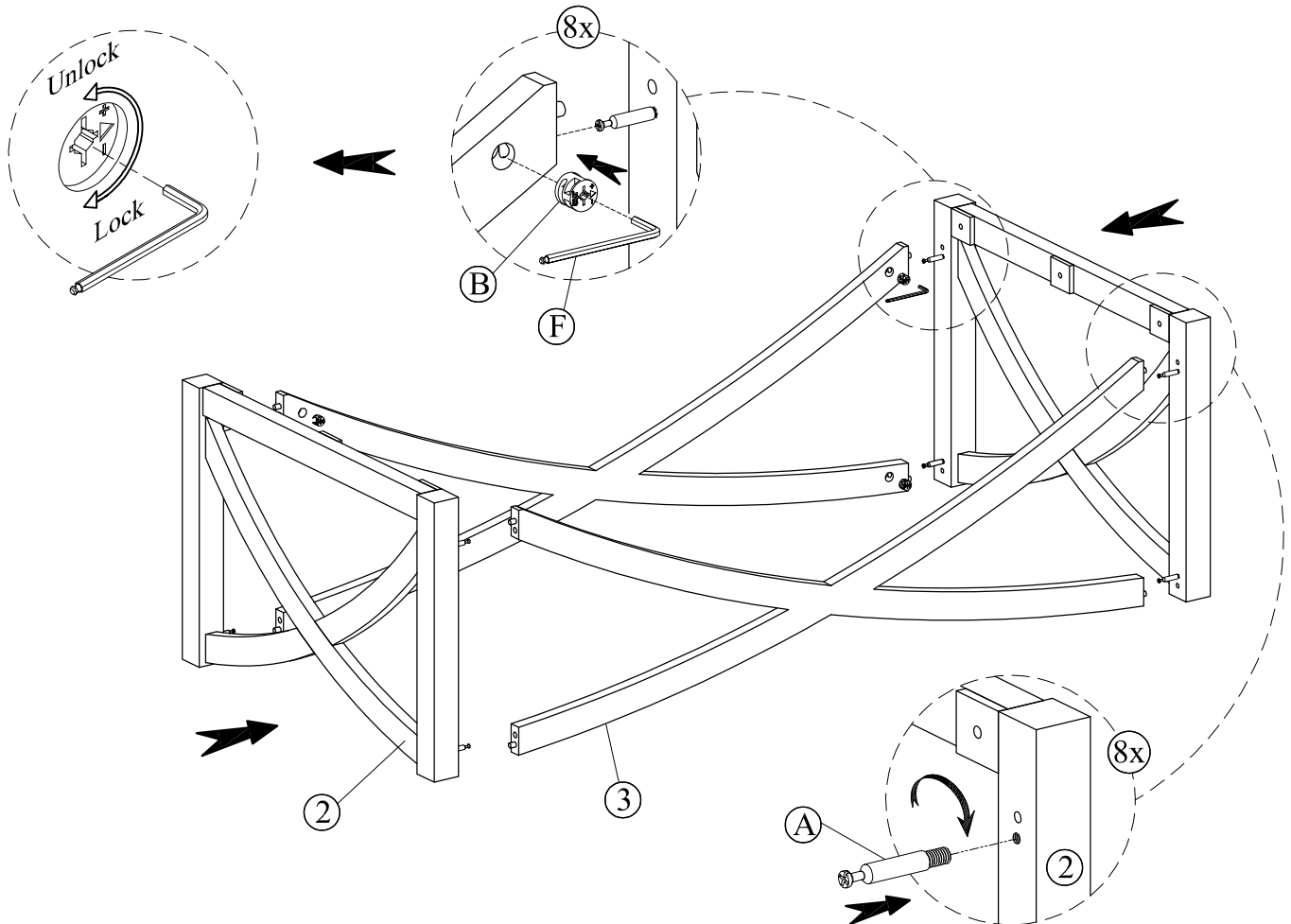
Assembly Instructions

ITEM NO: 11023

Thank you for purchasing this quality product. Be sure to check all packing material carefully for small parts that may have come loose inside the carton during shipment. (Note: Loosely thread all screws/bolts first. Once the item is assembled then completely tighten.)

PARTS LIST:				HARDWARE LIST:				
No.	Description	Sketch	Quality	No.	Sketch	Description	Size	Quality
1	Table Top		1 Pc	A		Cam Bolt	Ø6 x 40mm	8 Pcs
				B		Cam Nut	Ø15 x 13mm	8 Pcs
2	Leg Frame		2 Pcs	C		Allen Head Bolt	Ø8 x 40mm	6 Pcs
				D		Lock Washer	Ø9 x Ø13mm	6 Pcs
3	Stretcher		2 Pcs	E		Flat Washer	Ø8 x Ø20mm	6 Pcs
				F		Allen Key	4 x 110mm	1 Pc

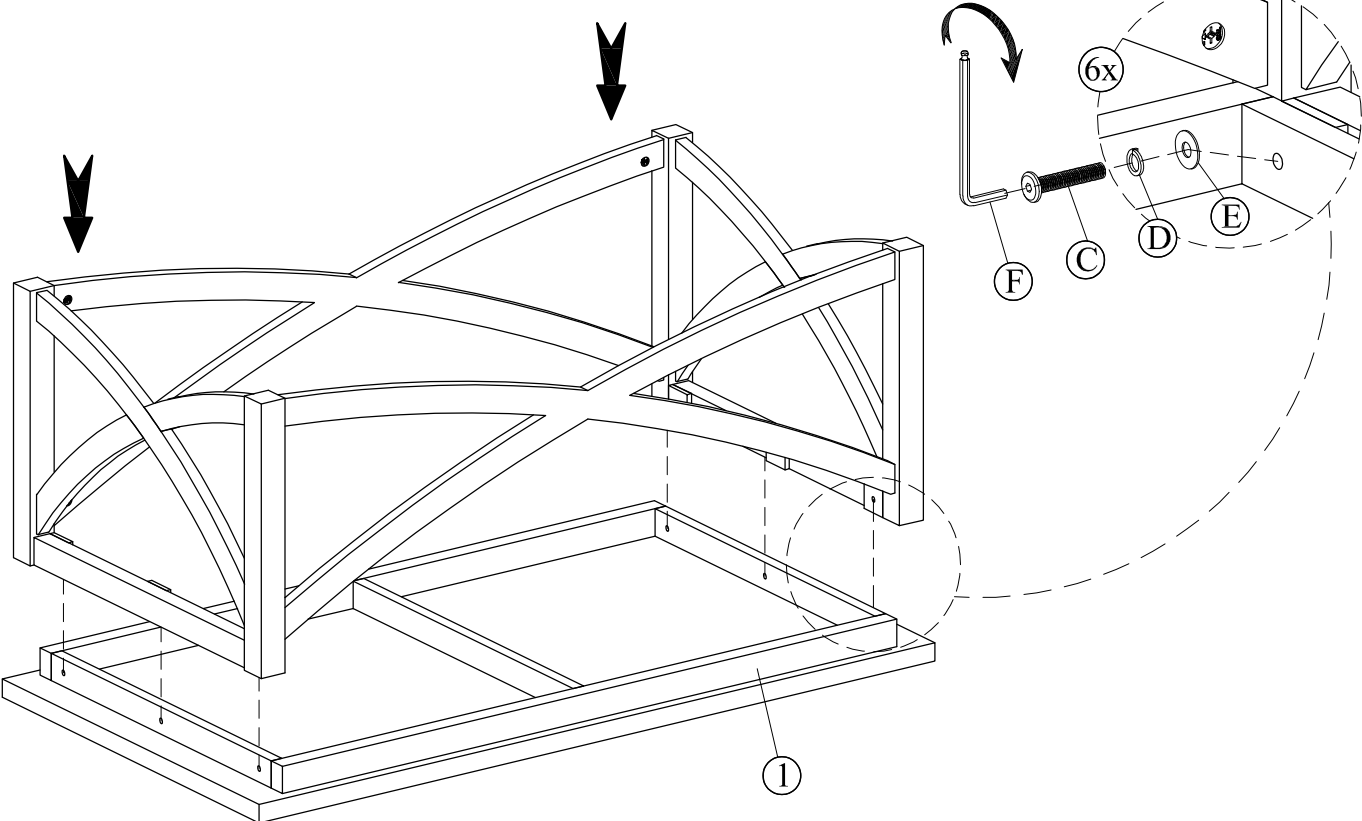
STEP 1



Assembly Instructions

ITEM NO: 11023

STEP 2



STEP 3

