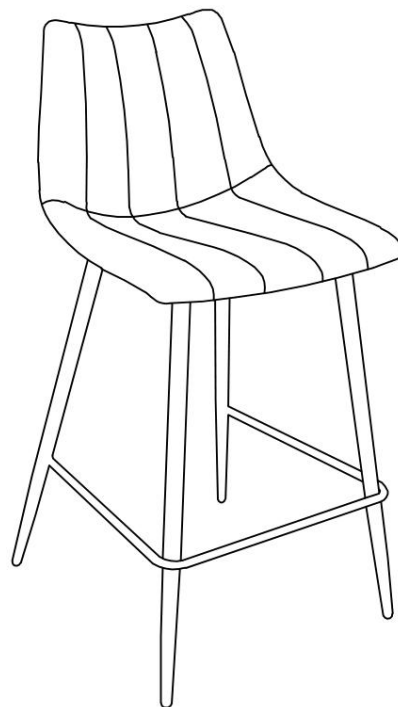


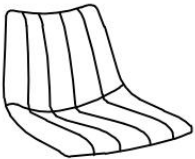



ASSEMBLY INSTRUCTIONS.

ALIBI BAR STOOL IVORY-M2



THANK YOU FOR YOUR PURCHASE!

PARTS AND HARDWARE.

① SEAT	② FOOTREST
	
③ SCREW	④ WRENCH
 6*16MM=4	 M6=1

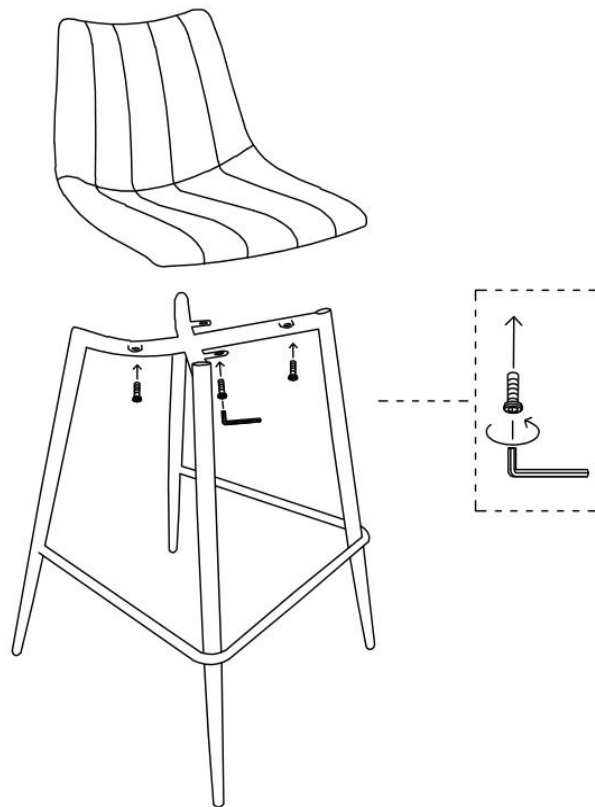
NOTES.

Thank you for purchasing this quality product ! Be Sure to check all packing material carefully for hardware that may have come loose inside the carton during shipping.

CAUTION:

The item is heavy, assembly should be performed by two people.

STEP 1.



STEP 2.

