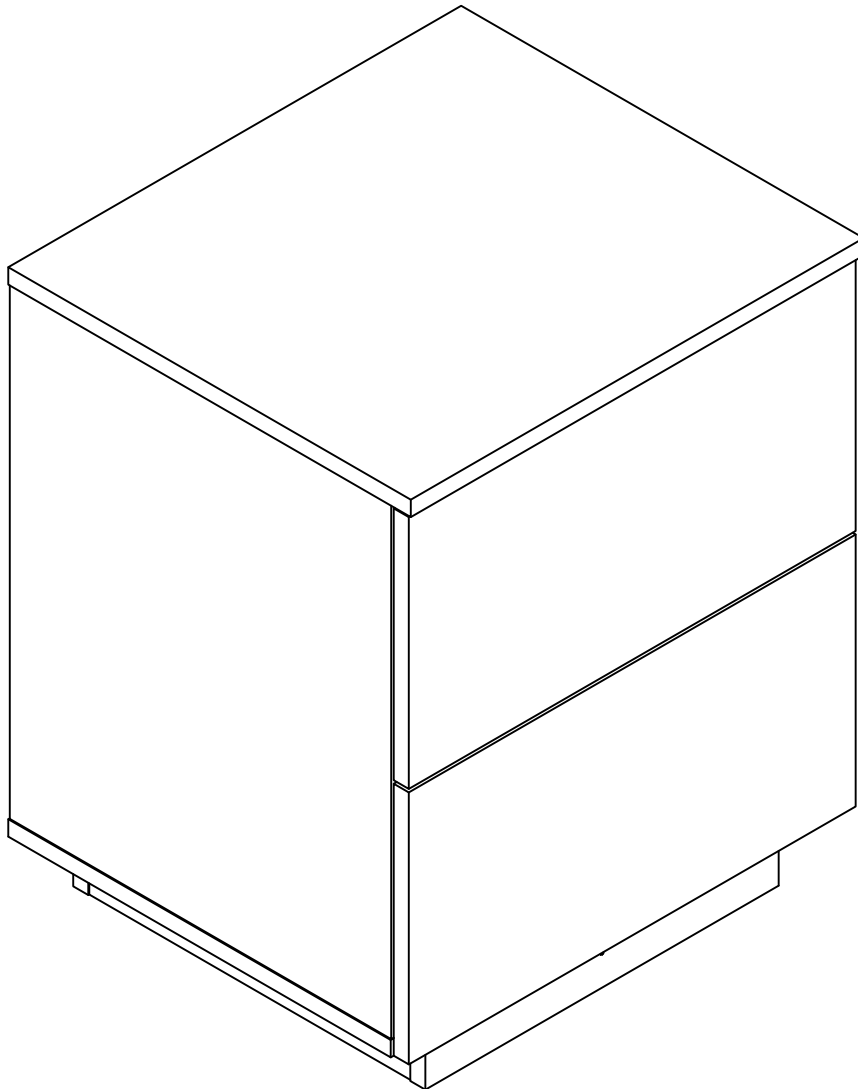
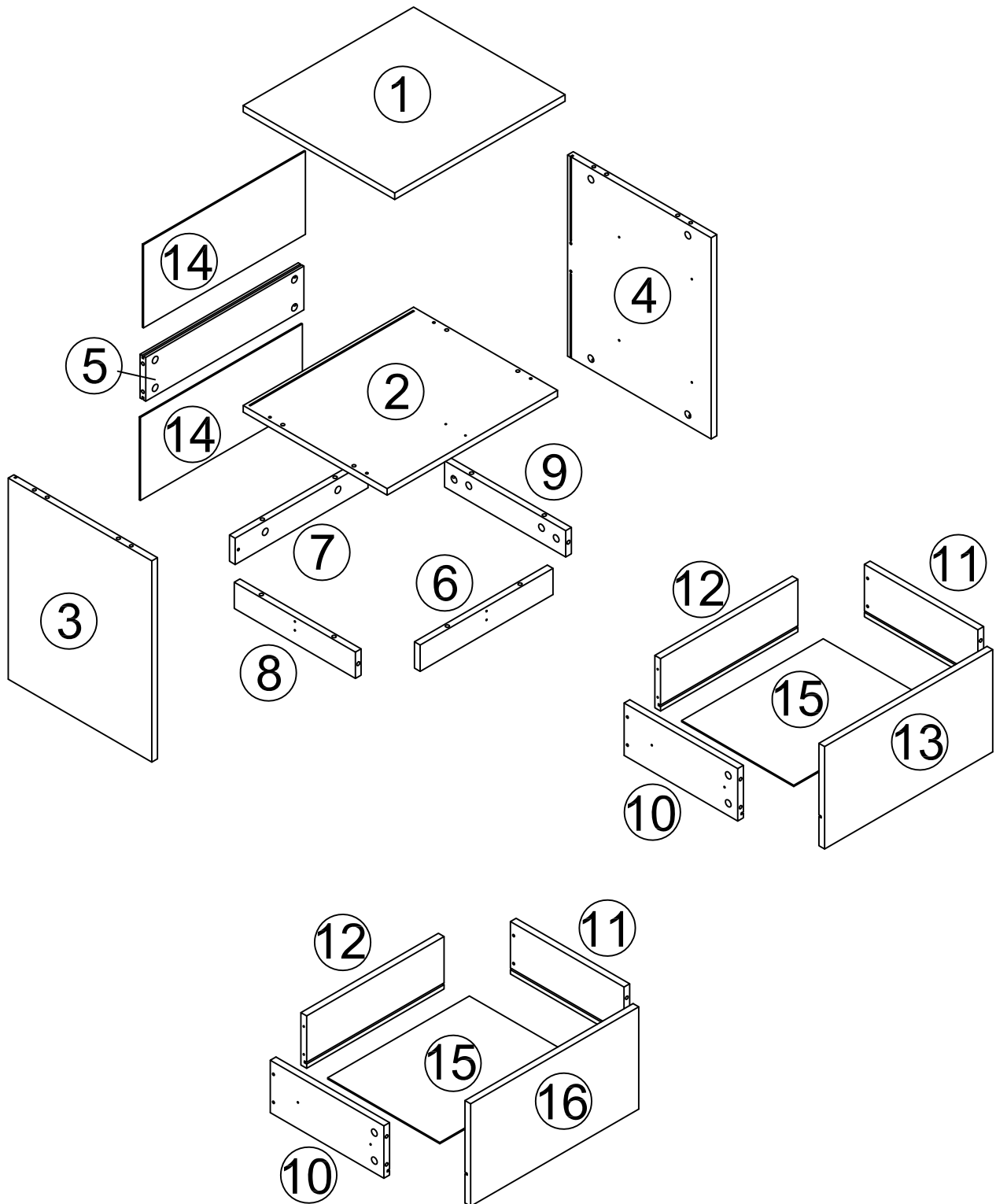


1

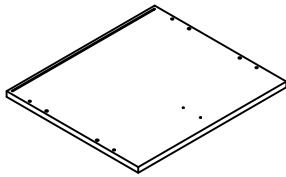
ASSEMBLY INSTRUCTIONS



BOARD IDENTIFICATION

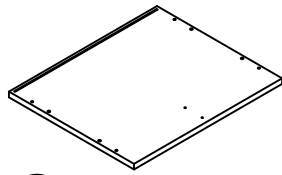


BOARD IDENTIFICATION



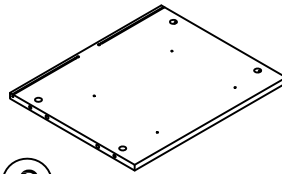
①

MAIN PANEL
X1



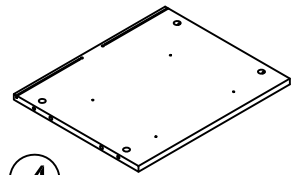
②

BOTTOM
X1



③

LEFT SIDE PANEL
X1



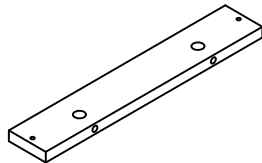
④

RIGHT SIDE PANEL
X1



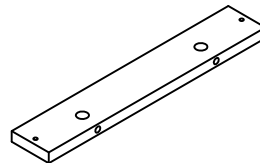
⑤

MIDDLE BACK PANEL
X1



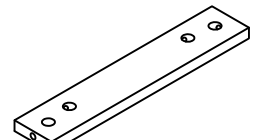
⑥

BASE FRONT
X1



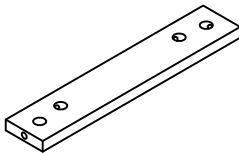
⑦

BACK PANEL
X1



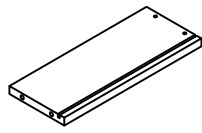
⑧

BASE LEFT
X1



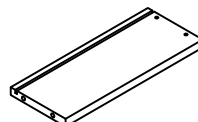
⑨

RIGHT PANEL
X1



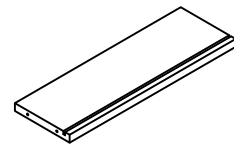
⑩

DRAWER LEFT
X2



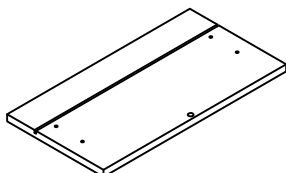
⑪

DRAWER RIGHT
X2



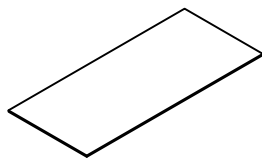
⑫

DRAWER BACK
X2



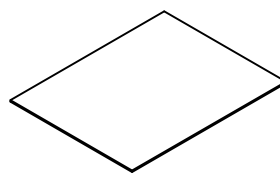
⑬

DRAWER FRONT
X1



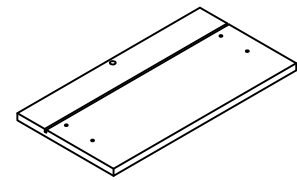
⑭

BACK PANEL
X2



⑮

DRAWER BOTTOM
X2

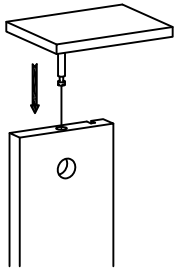


⑯

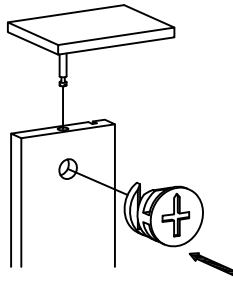
DRAWER FRONT
X1

4

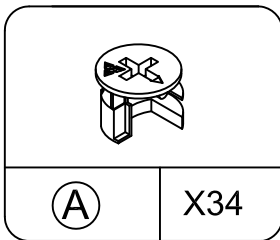
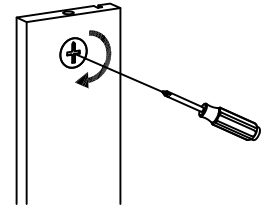
1



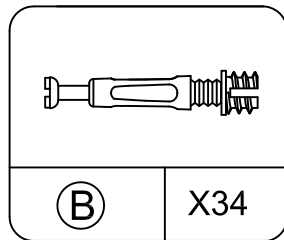
2



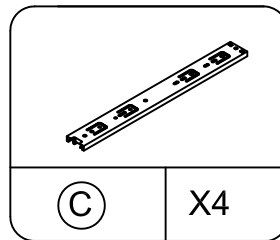
3



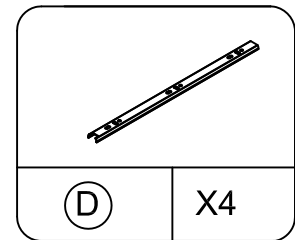
CAM LOCK
F15*11



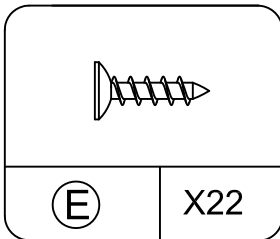
BOLT
F7*31



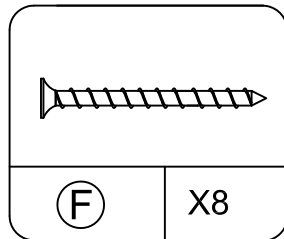
OUTER TRACK
F20*300



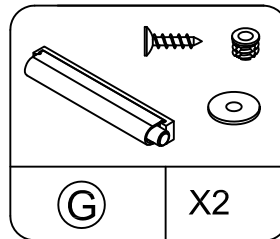
INNER TRACK
F20*300



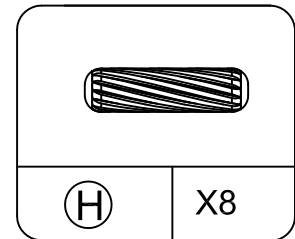
SCREW
F3.5*12



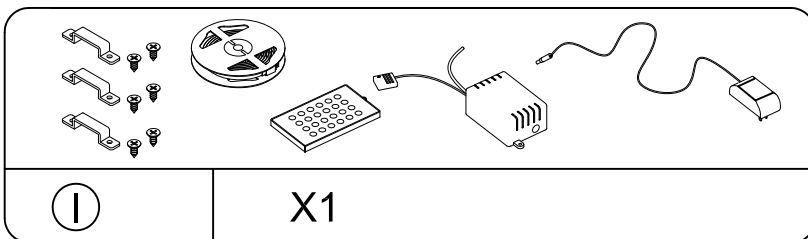
SCREW
F4*35



BOUNCER



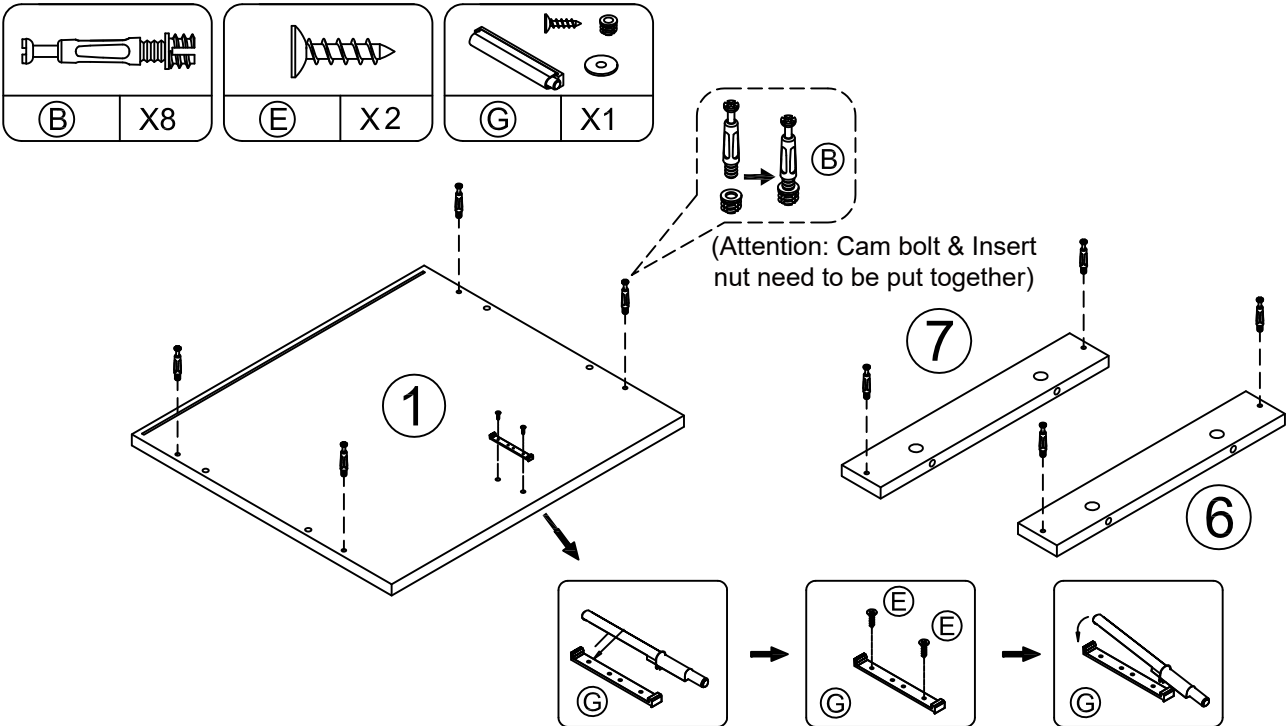
WOOD DOWEL
F8*30



LIGHT STRIP

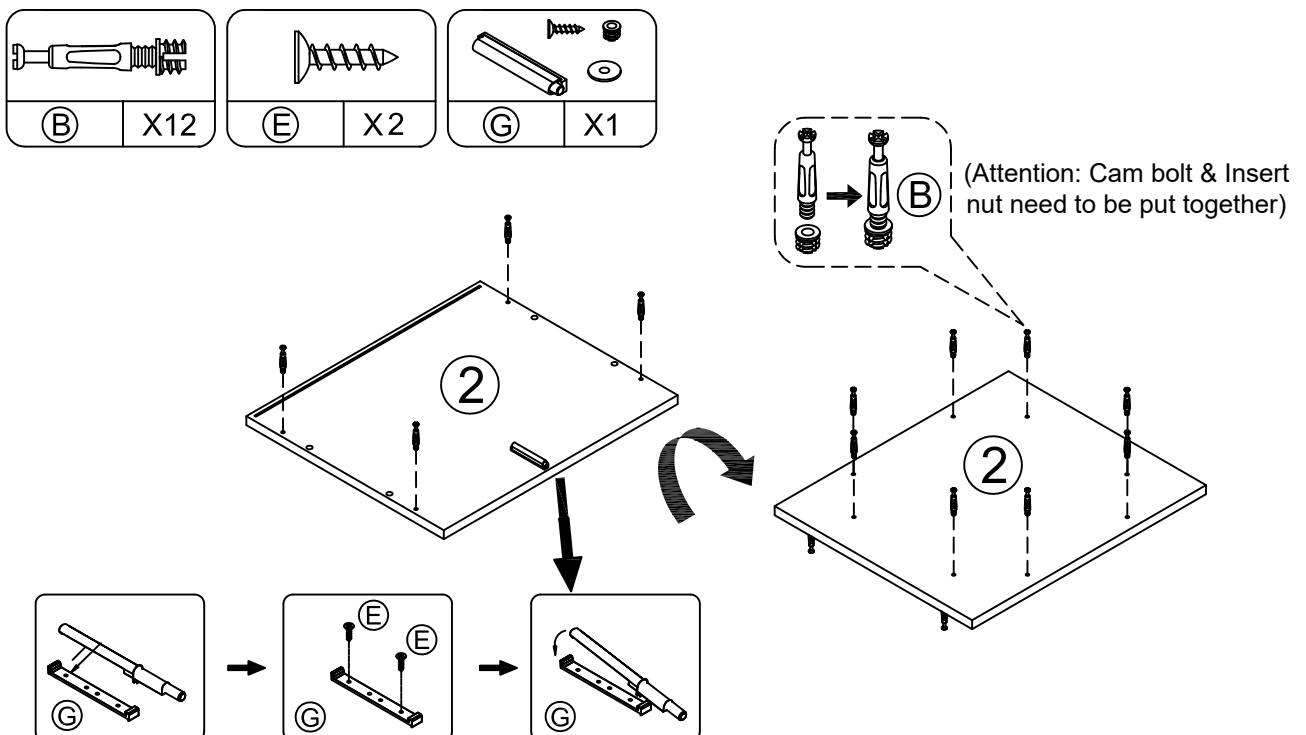
STEP 1

- Screw cam bolts (B) into panel (1) & (6) & (7) as below shown.
- Lock the rebounder (G) to the panel (1) with the screw (E) as shown in the picture.



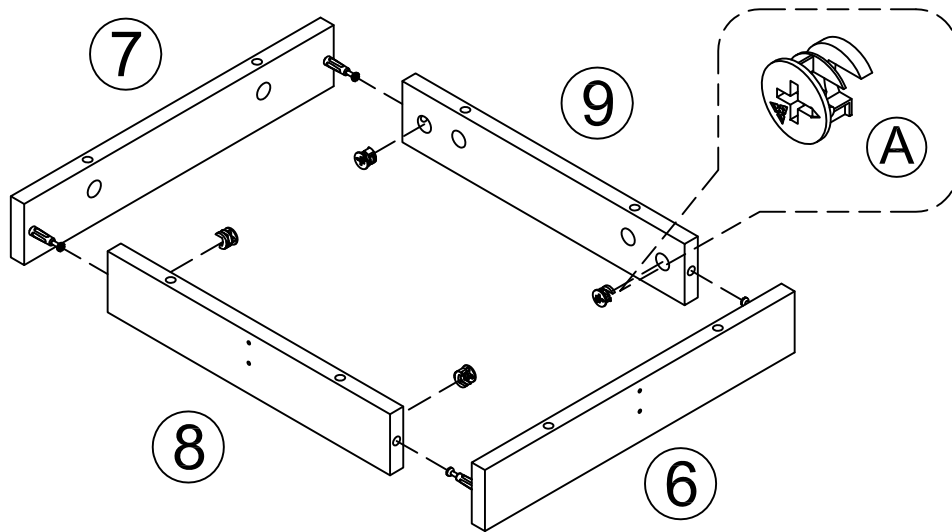
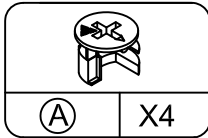
STEP 2

- Screw cam bolts (B) into panel (2) as below shown.
- Lock the rebounder (G) to the panel (2) with the screw (E) as shown in the picture.



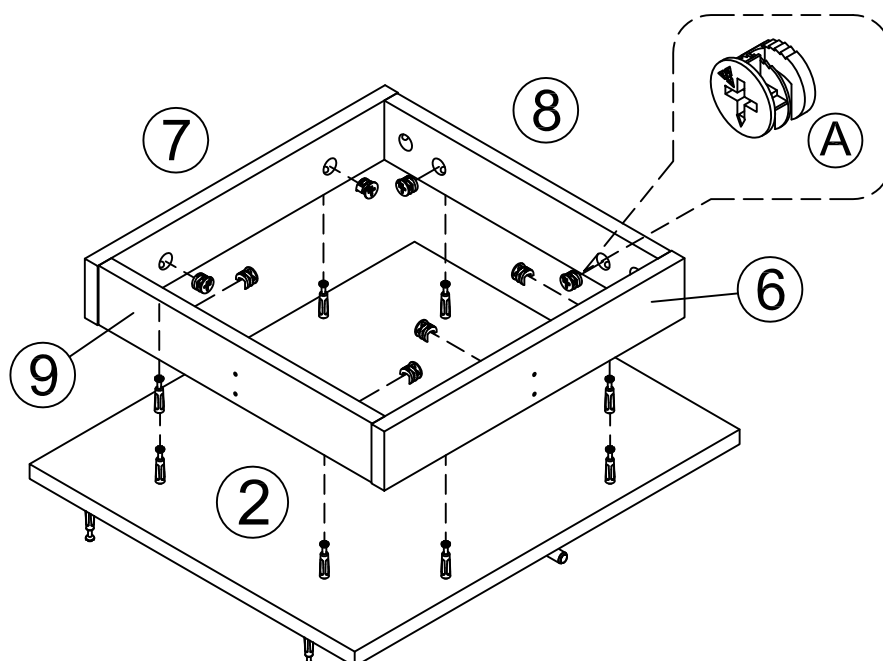
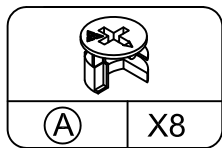
STEP 3

- Attach panel (6) & (7) to (8) & (9) with cam locks (A).



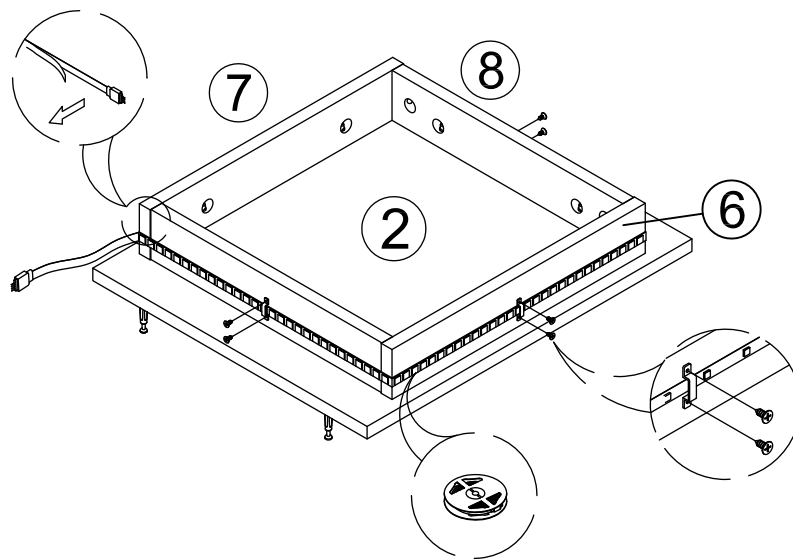
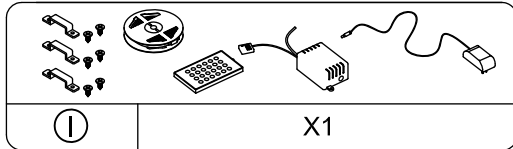
STEP 4

- Attach panel (6) & (7) & (8) & (9) to (2) with cam locks (A).



STEP 5

- Stick LED band to the side of the base.
- Fasten the LED band with buckles.

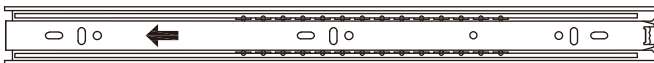


STEP 6

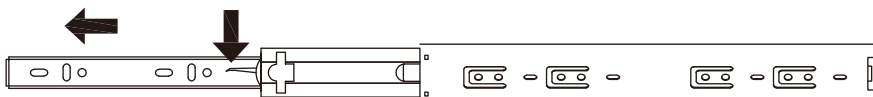
WARNING

How To SEPARATE BALL BEARING SLIDE.

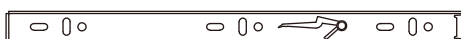
- 1) Pull toward arrow to open the slide until its stops and then flip it over.



- 2) Push plastic lever down and pull apart.



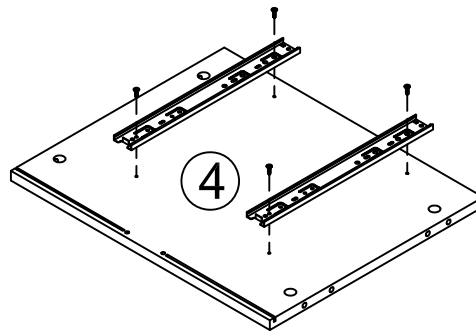
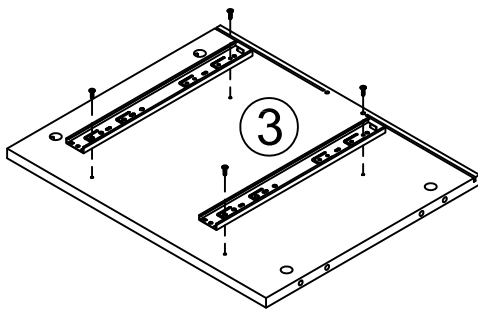
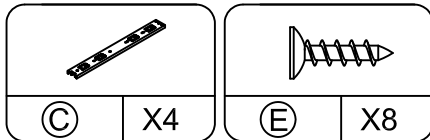
OUTER TRACK



INNER TRACK

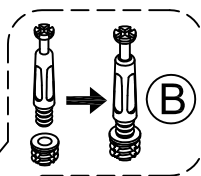
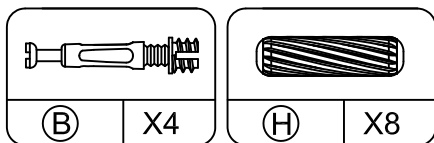
STEP 7

- Install drawer track (C) to panel (3) & (4) with screws (E).

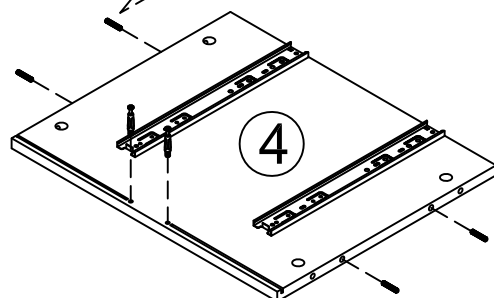
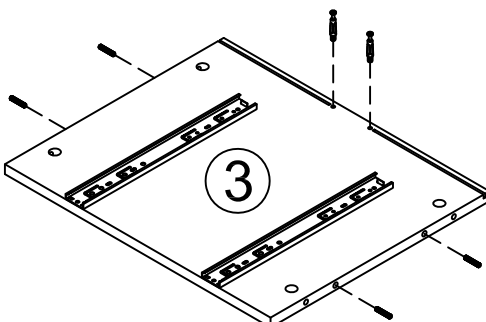
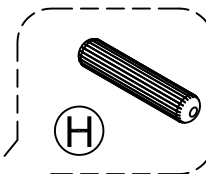


STEP 8

- Screw cam bolts (B) into panel (3) & (4) as below shown.
 - Insert wood dowels (H) into panel (3) & (4) as shown in the picture.



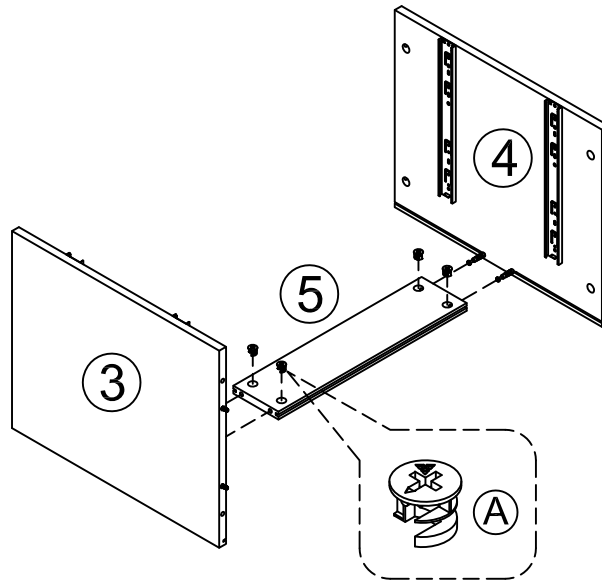
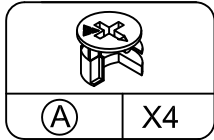
(Attention: Cam bolt & Insert nut need to be put together)



9

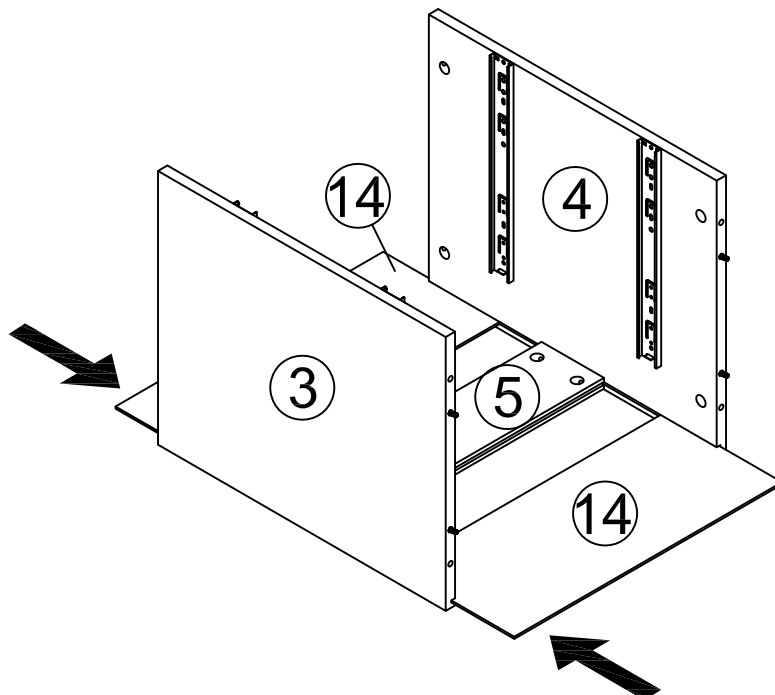
STEP 9

- Attach panel (5) to (3) & (4) with cam locks (A).



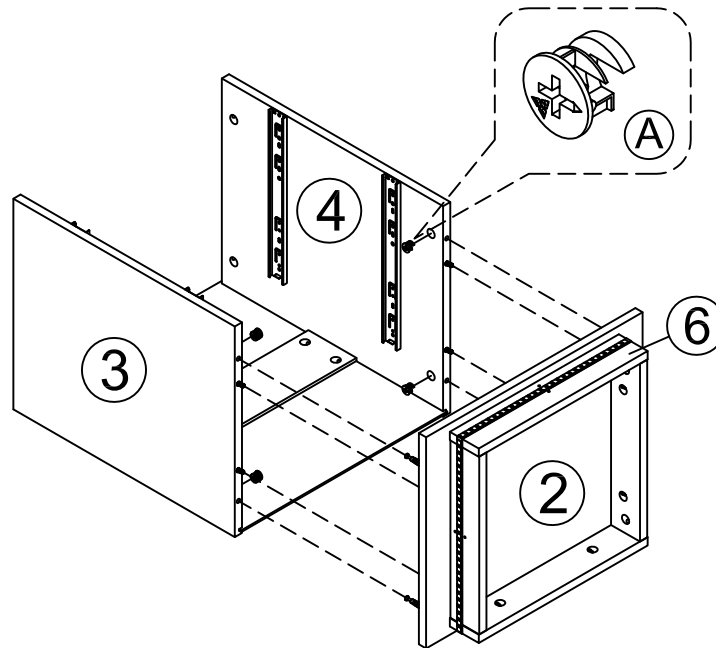
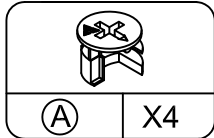
STEP 10

- Insert (14) into the slot as below shown.



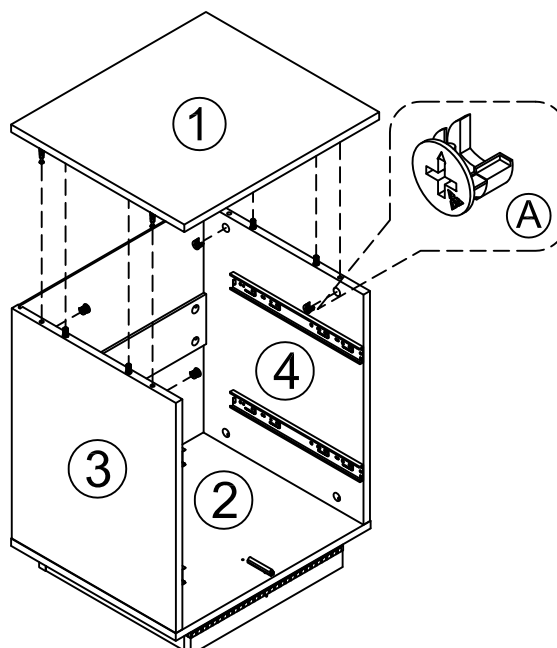
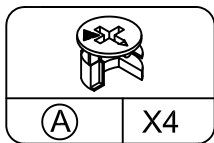
STEP 11

- Attach panel (2) to (3) & (4) with cam locks (A).



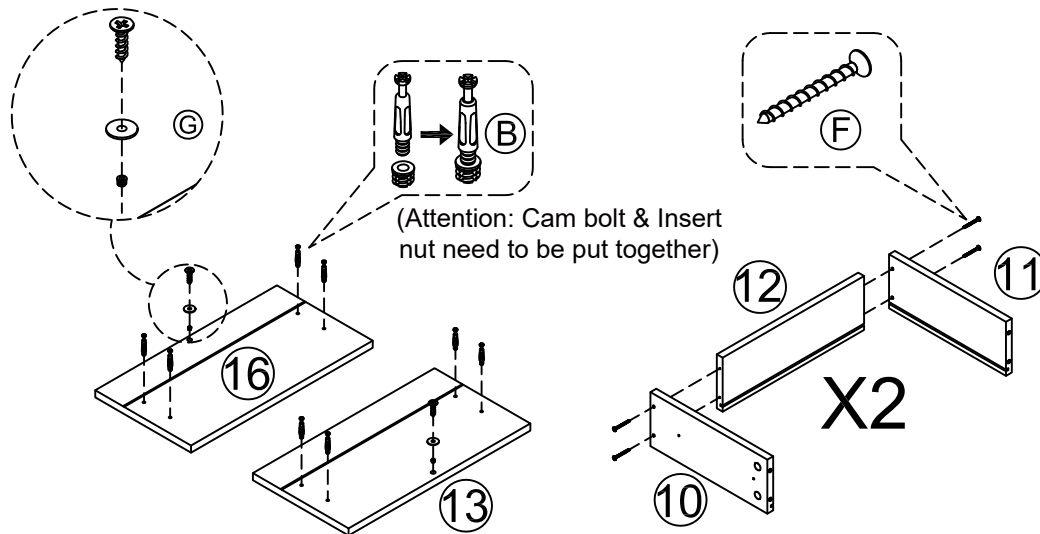
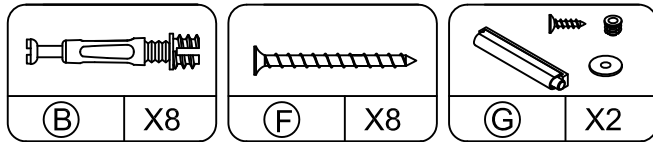
STEP 12

- Attach panel (1) to (3) & (4) with cam locks (A).



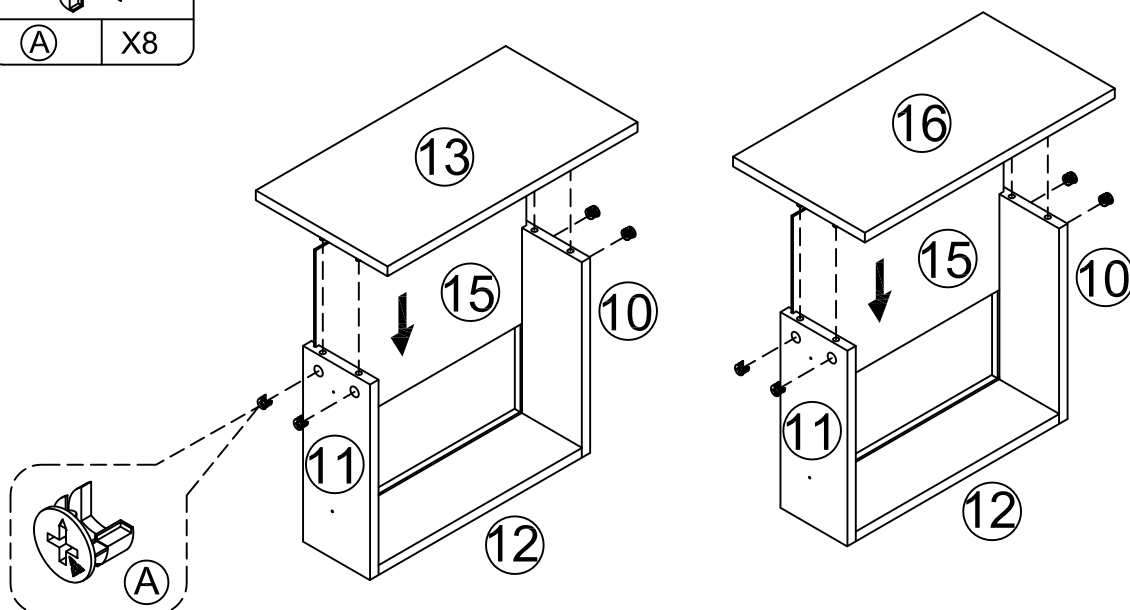
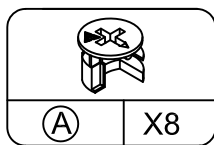
STEP 13

- Attach panel (12) to (10) & (11) with screw (F) as shown in the picture.
- Screw cam bolts (B) into panel (13) & (16) as below shown.



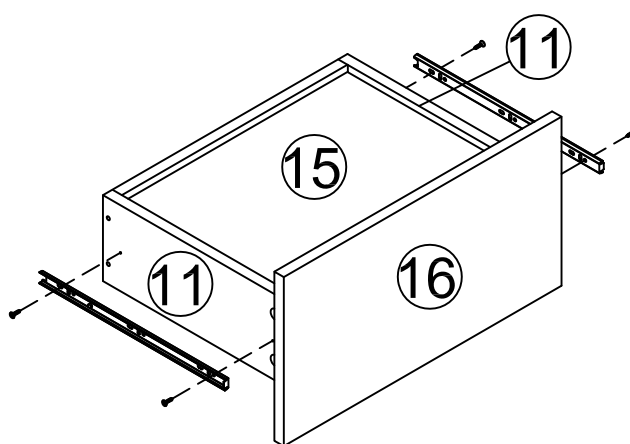
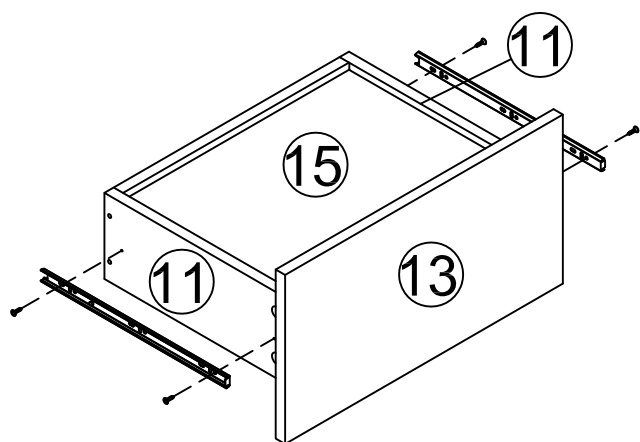
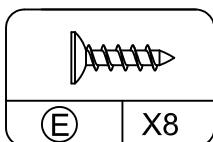
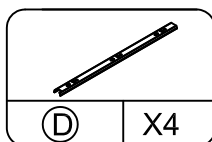
STEP 14

- Insert panel (15) into the grooves.
- Attach panel (13) & (16) to (10) & (11) with cam locks (A).



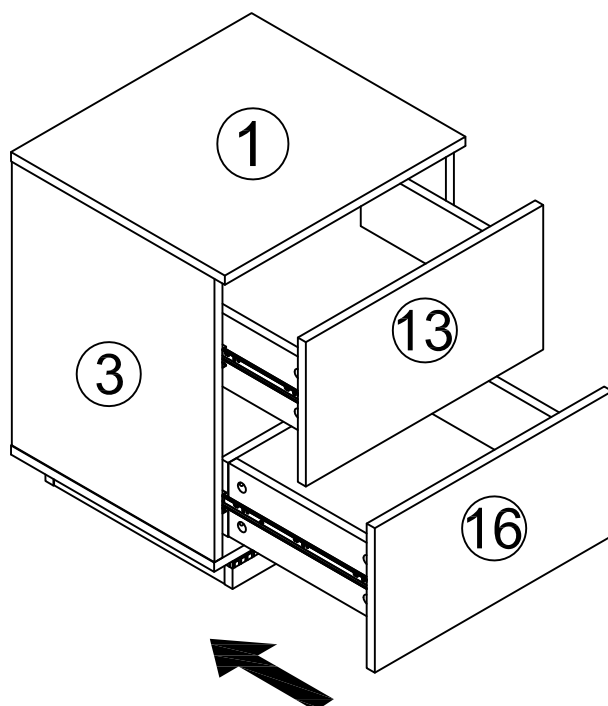
STEP 15

- Install drawer track (D) to panel (10) & (11) with screws(E).



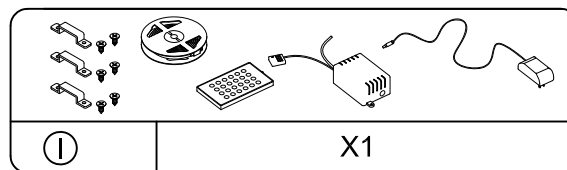
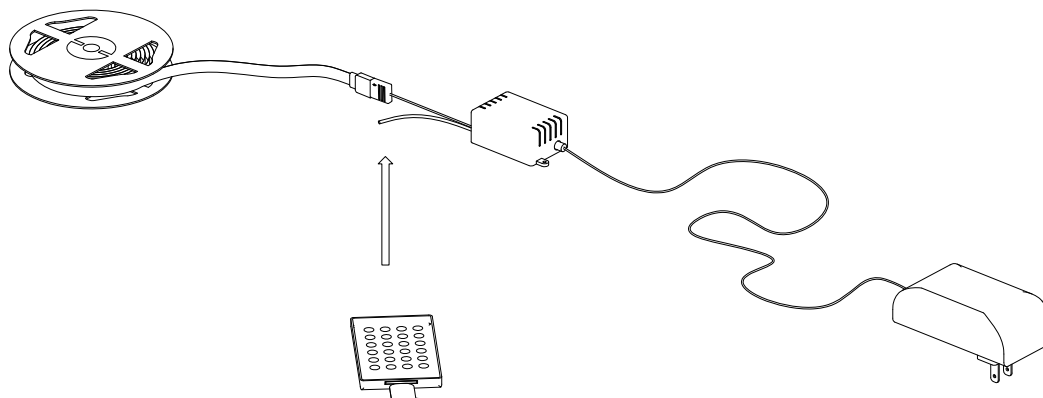
STEP 16

- Insert the drawers.



STEP 17

- Connected pin of LED and power adapter to the RGB control box as below.
- Remove the battery protection pad from remote controller.
- Align remote controller to the RGB Control box to adjust the color mode.
- Specifications of battery:cr2025 3v



STEP 18

- Installation complete.

