












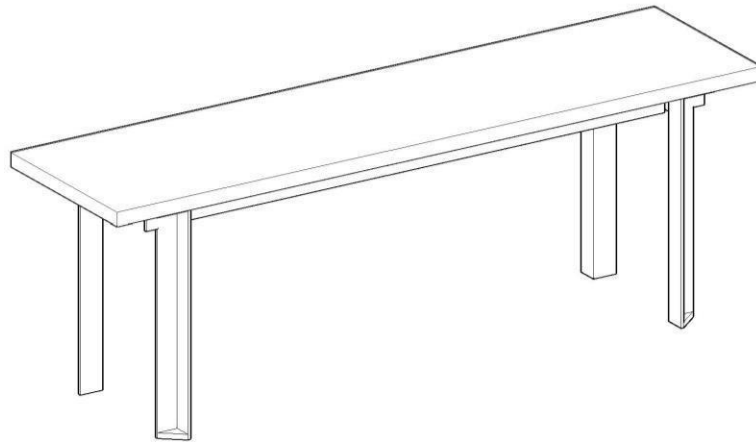
Assembly Instructions

Caution: You must read this before you proceed

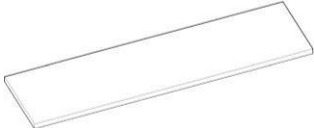
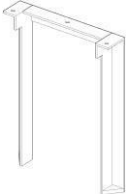
Care & Maintenance

	<ul style="list-style-type: none">● Not for commercial use. For residential use only.
	<ul style="list-style-type: none">● Furniture may scratch floors. We recommend using furniture pads to protect your floors.
	<ul style="list-style-type: none">● Do not put hot items directly on furniture surface.
	<ul style="list-style-type: none">● Do not clean furniture with harsh cleansers or polish.
	<ul style="list-style-type: none">● Do not place furniture under direct sunlight.
	<ul style="list-style-type: none">● Do not place furniture near heating or cooling vents.
	<ul style="list-style-type: none">● Do not write on furniture without a padded barrier to protect the surface.
	<ul style="list-style-type: none">● Do not place furniture outside. For indoor use only.
	<ul style="list-style-type: none">● Stains may be removed with mild soap solution and damp cloth.
	<ul style="list-style-type: none">● Children should not climb or jump on the furniture.
	<ul style="list-style-type: none">● Dust and pick-up spills using a clean, non-colored, lint-free cloth.



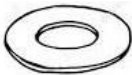
BENCH



Parts List

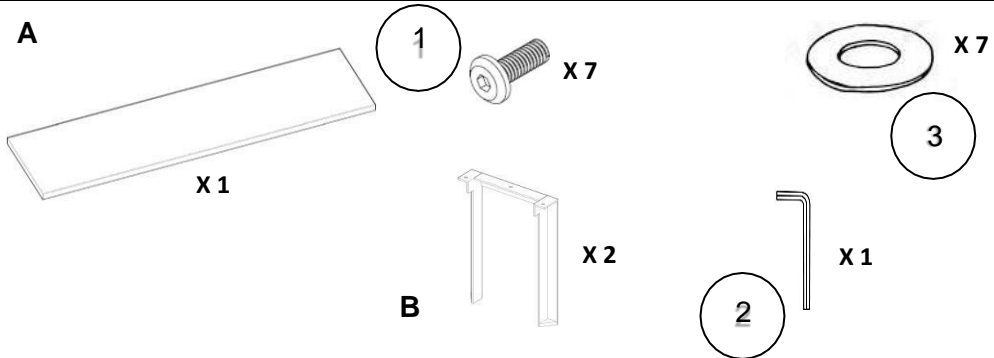
Label	Picture	Description	QTY
A		Wooden Table Top	1
B		Leg Frame	2

Hardware

Label	Picture	Description	QTY
①		Flat Head Allen Bolt (M8X20mm)	7
②		Allen Wrench (5 MM)	1
③		Washer	7

Assembly Preparation

Before Beginning Assembly:



- Read instructions, cover to cover-



- Have 2 adults on hand for assembly-



- Do not assemble on flooring or carpet-

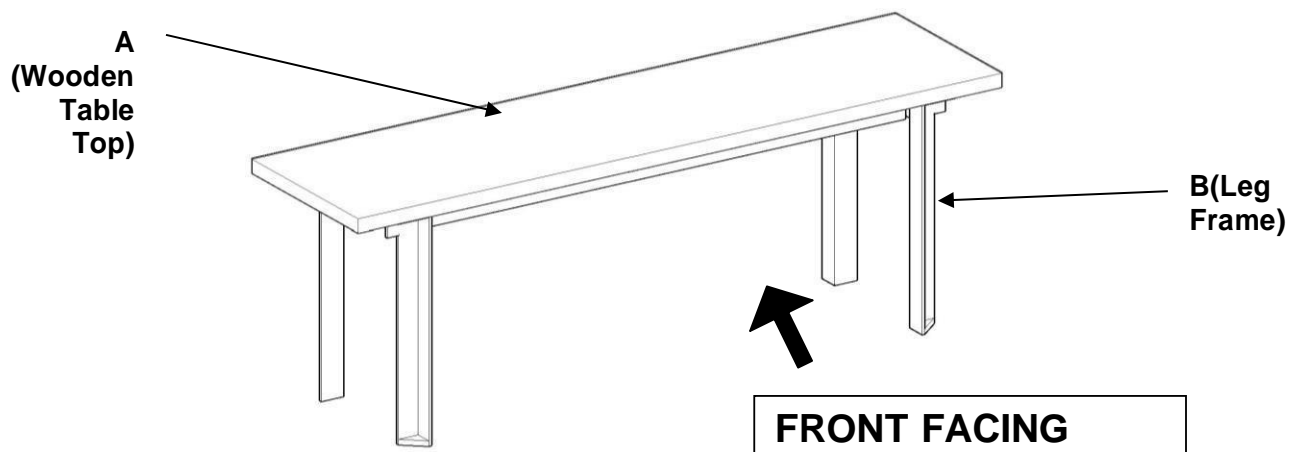


- Assemble on a clean non-marring surface (packing foam)-



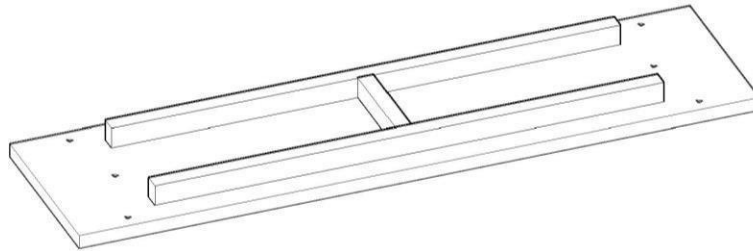
- Save all packaging until finished-

Assembly preparation



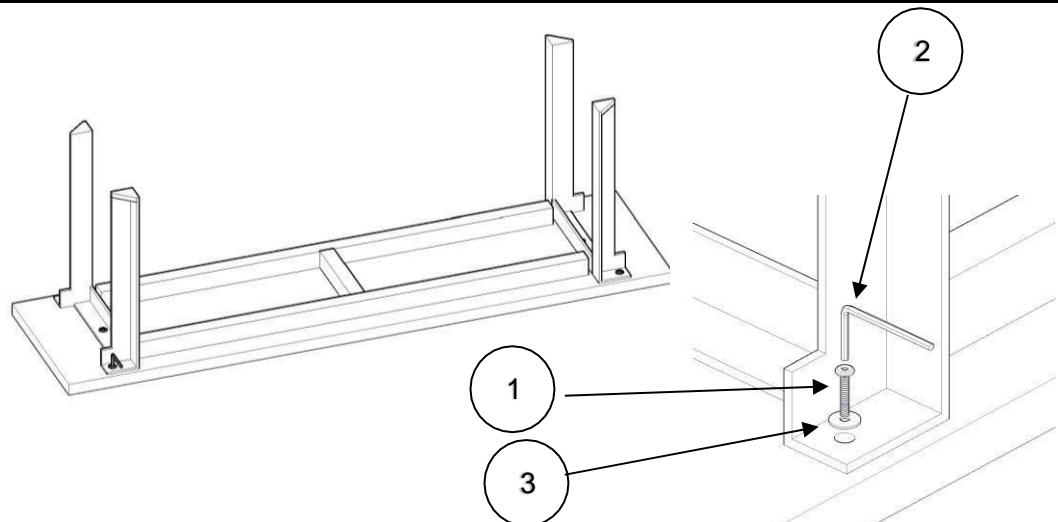
This Bench has multiple parts and may require up to 30 minutes to assemble. To give you an overview of the Bench parts, The picture above will help you, to put the various parts into perspective. Please read through the instructions below, to familiarise the parts and steps before assembly.

Step 1



Unpack and place all parts on a clean, non-marring surface.

Step 2

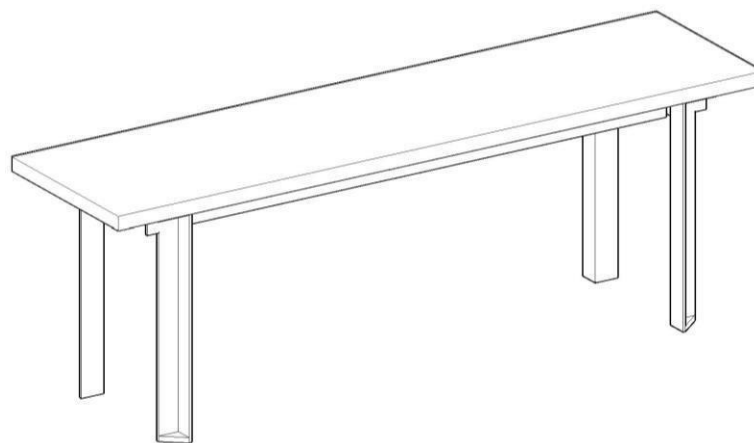


Take the leg (B) and align it with the mounting position on the bottom, then insert the flathead allen bolt (1) along with the washers (2) and tighten it with the help of allen wrench (3) as shown in the picture above.

Repeat the same step and attach the other leg.

DO NOT FULLY TIGHTEN ALLEN BOLTS.

Step 3



Place the Bench to your desired location.

The Bench is ready to be used.

Caution: This Bench can only be used on a flat, level surface.