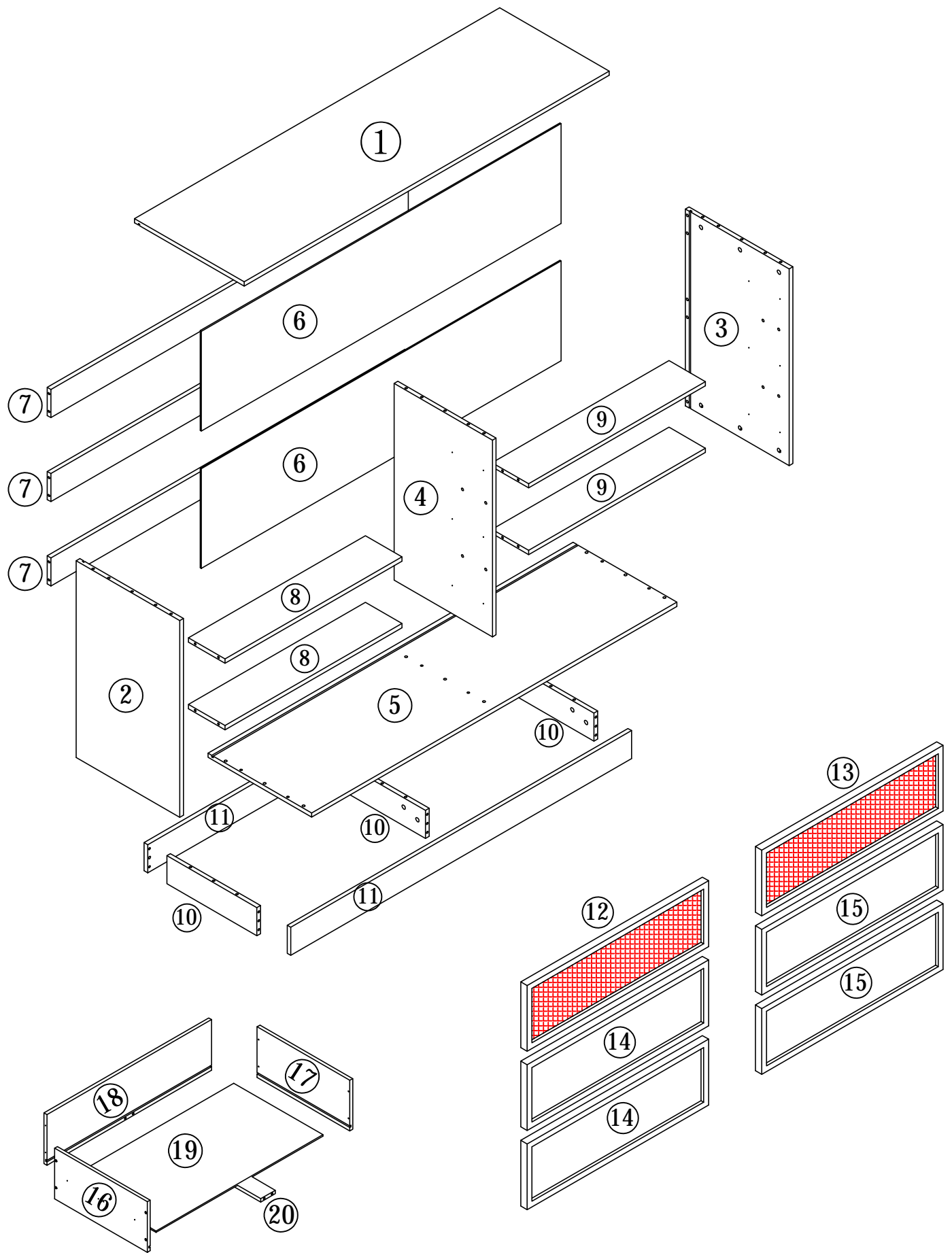
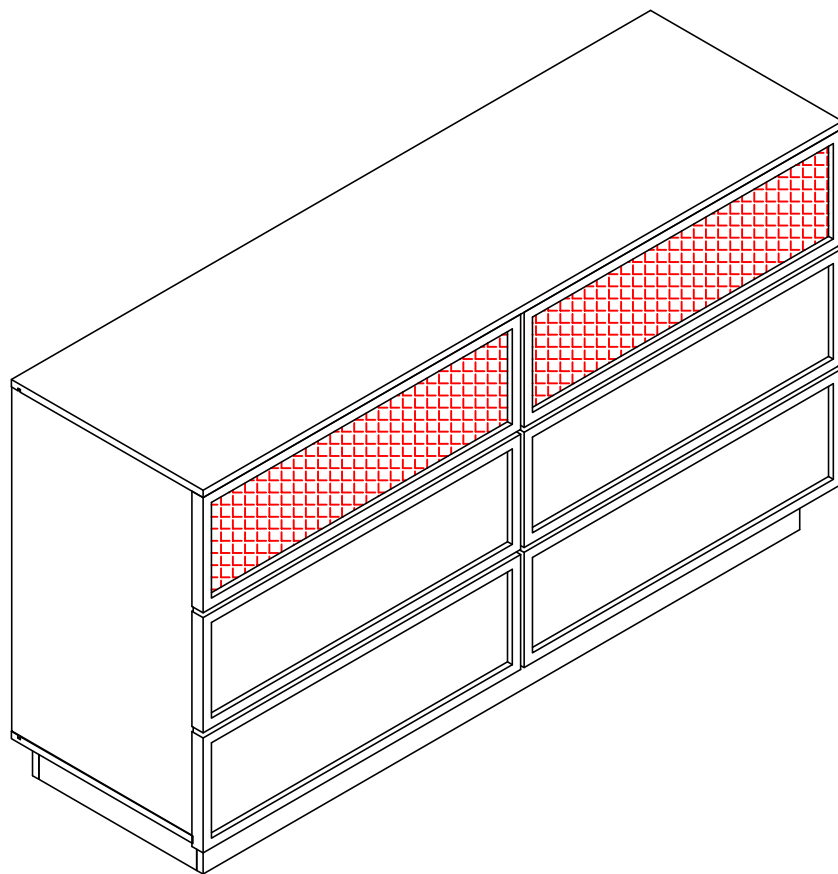
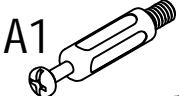





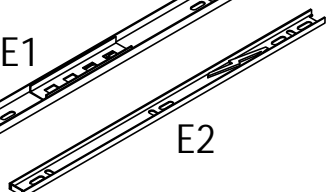
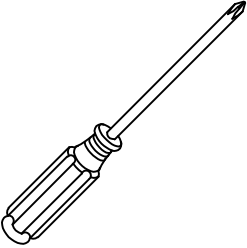
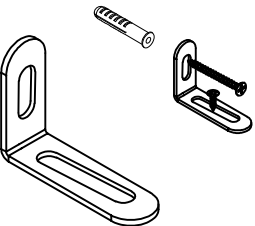
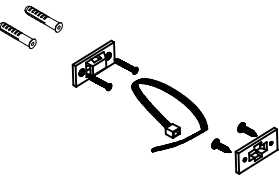
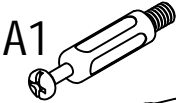

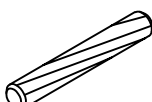




- ▲ The product needs to be assembled by two people or more.
- ▲ The product structure is too complicated. Please assemble it according to the specified accessories as indicated in the manual.

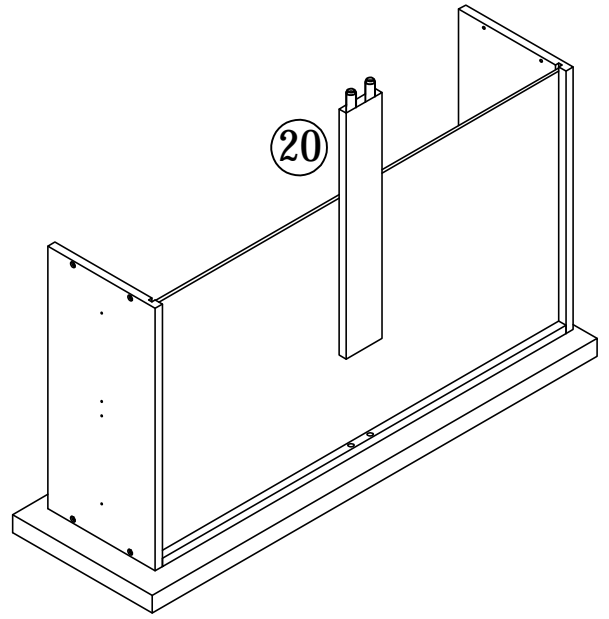
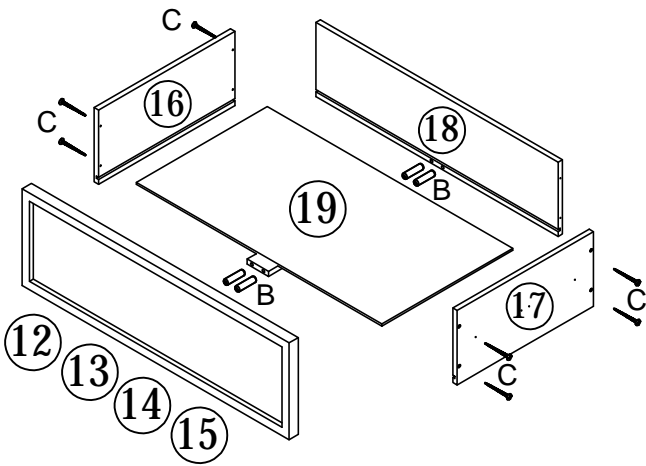


Drawer Box=6



  A1 A2	 $\phi 8*30$	 $\phi 3.5*25$	 $\phi 3.5*12$
$A \times 58$	$B \times 51$	$C \times 48$	$D \times 48$
  E1 E2			
$E \times 12$	F	G	H
<b>Extra hardware</b>			
  A1 A2	 $\phi 8*30$	 $\phi 3.5*25$	 $\phi 3.5*12$
$A \times 4$	$B \times 4$	$C \times 4$	$D \times 4$

1



Drawer=6

B

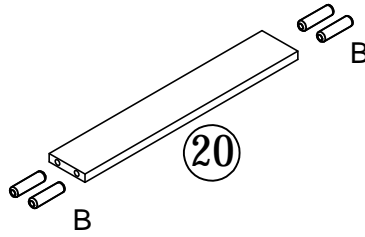


24PCS

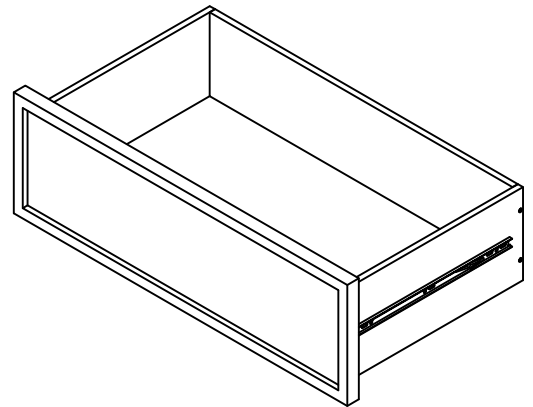
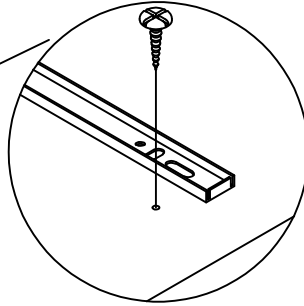
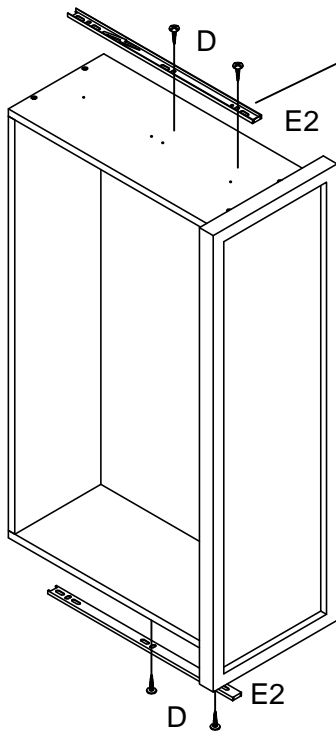
C



48PCS

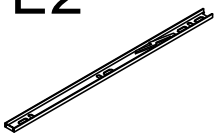


2



LEFT & RIGHT x 6

E2



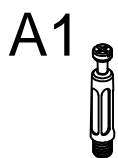
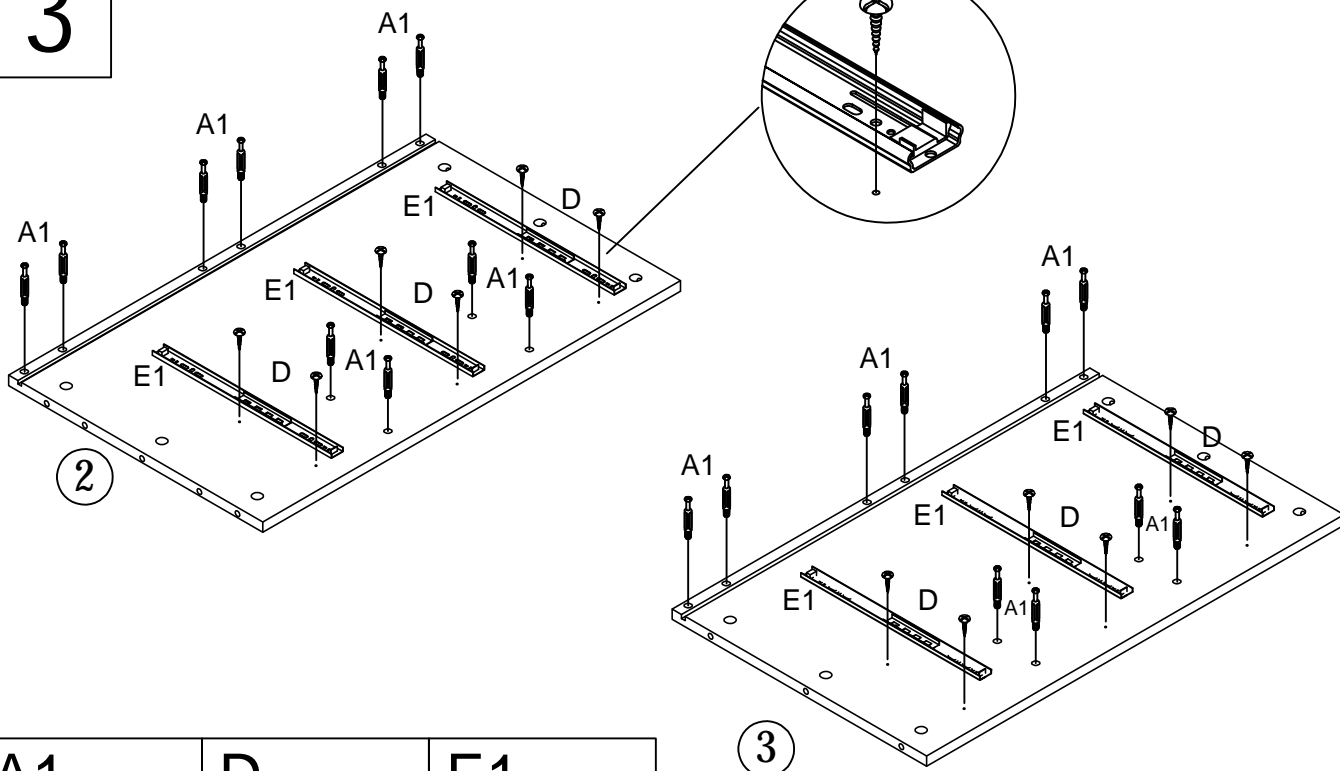
12PCS

D

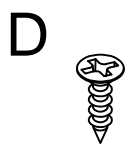


24PCS

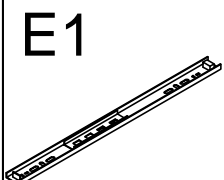
3



20PCS

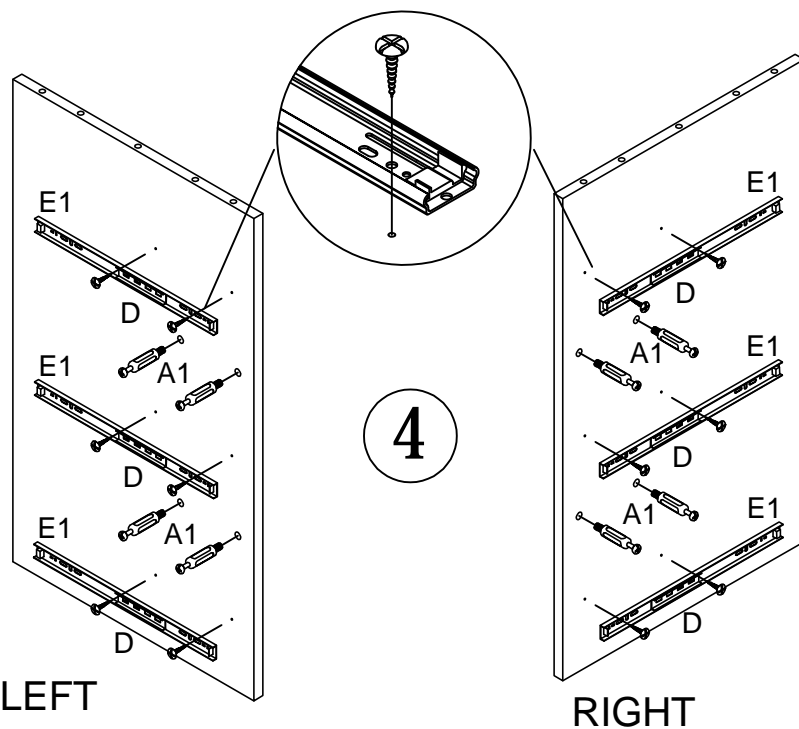


12PCS

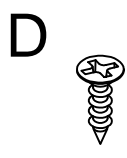


6PCS

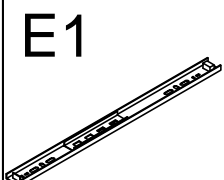
4



8PCS

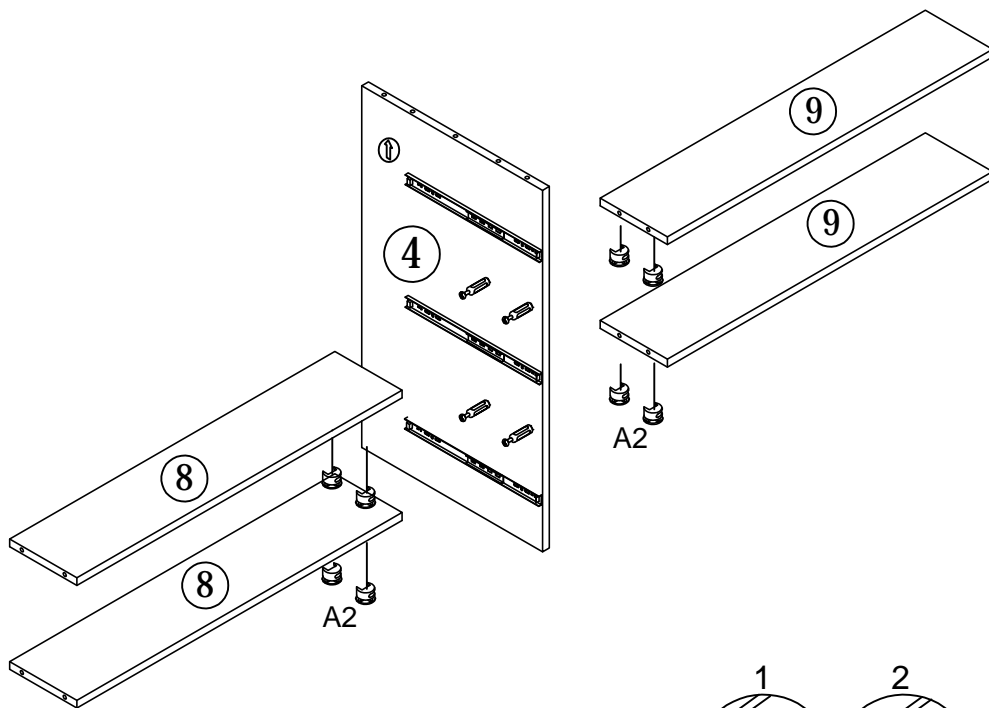


12PCS



6PCS

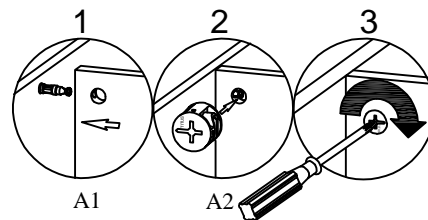
5



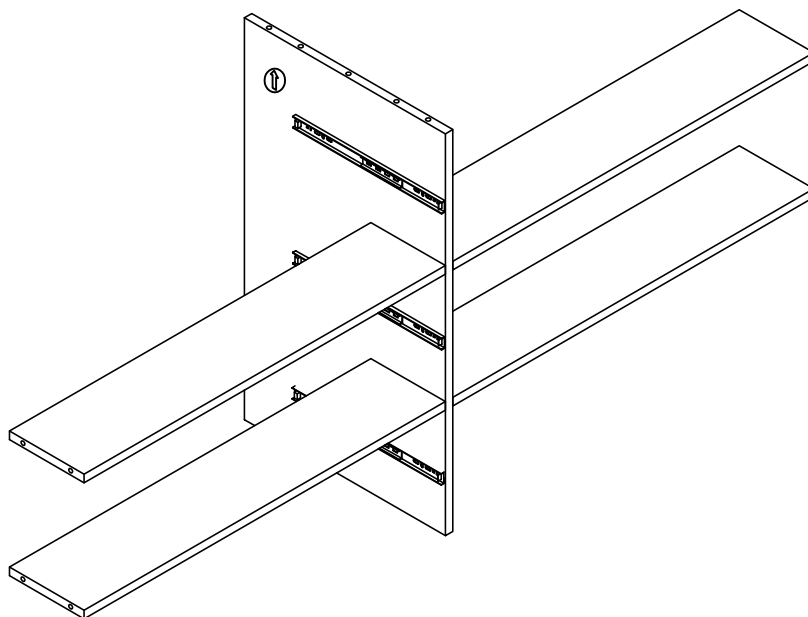
A2



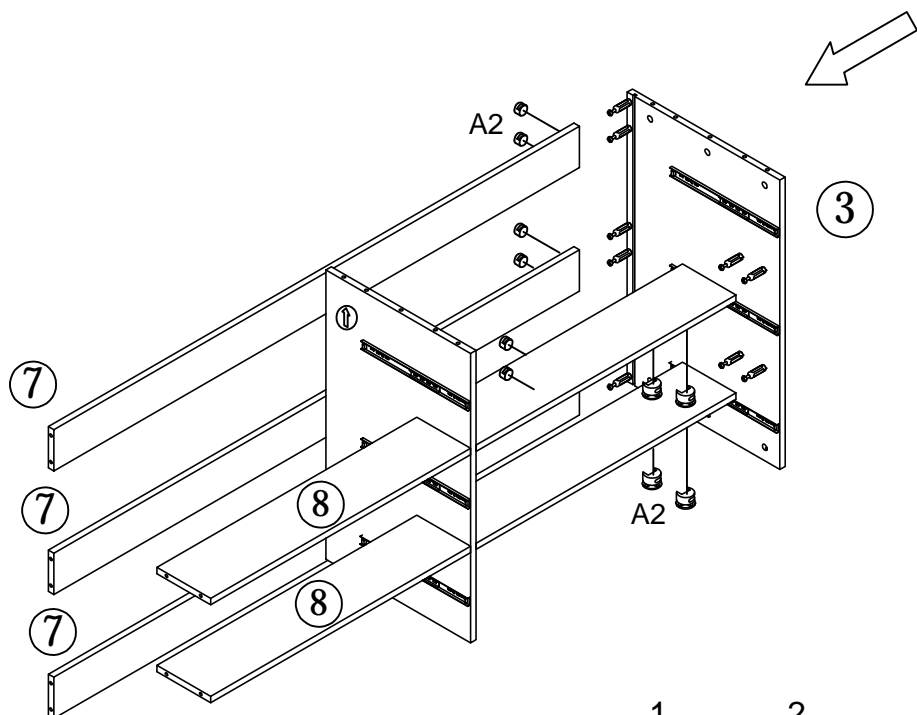
8PCS



6



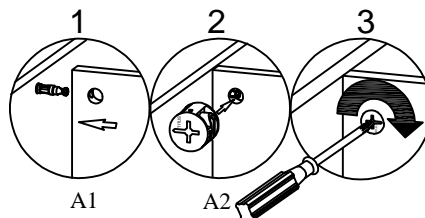
7



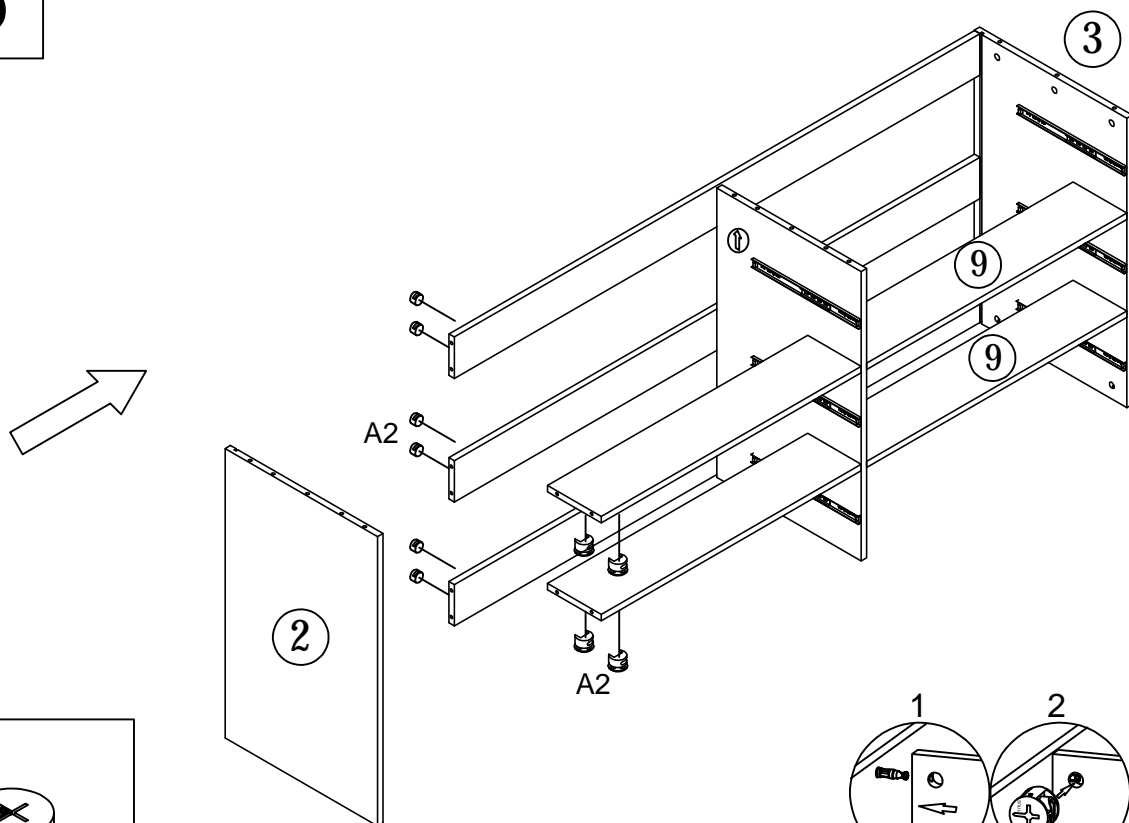
A2



10PCS



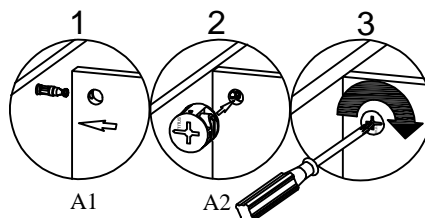
8



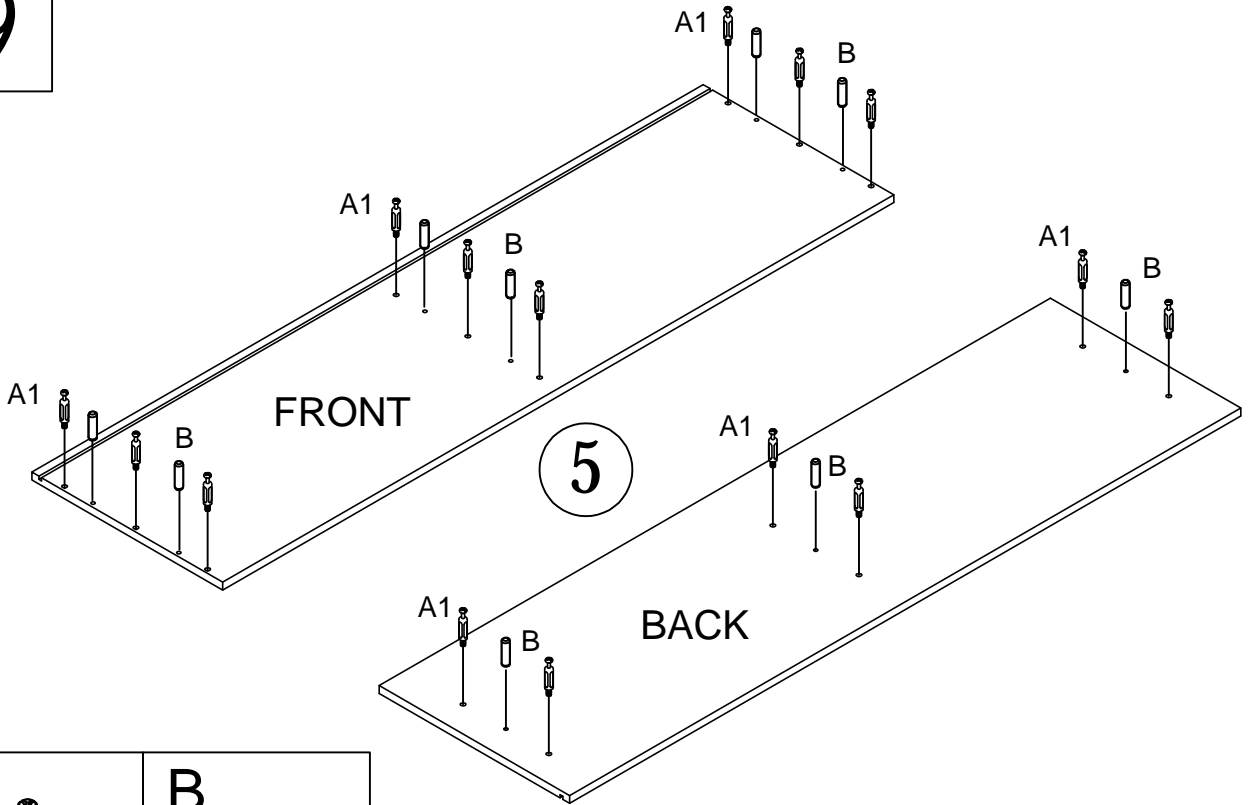
A2



10PCS



9

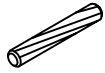


A1



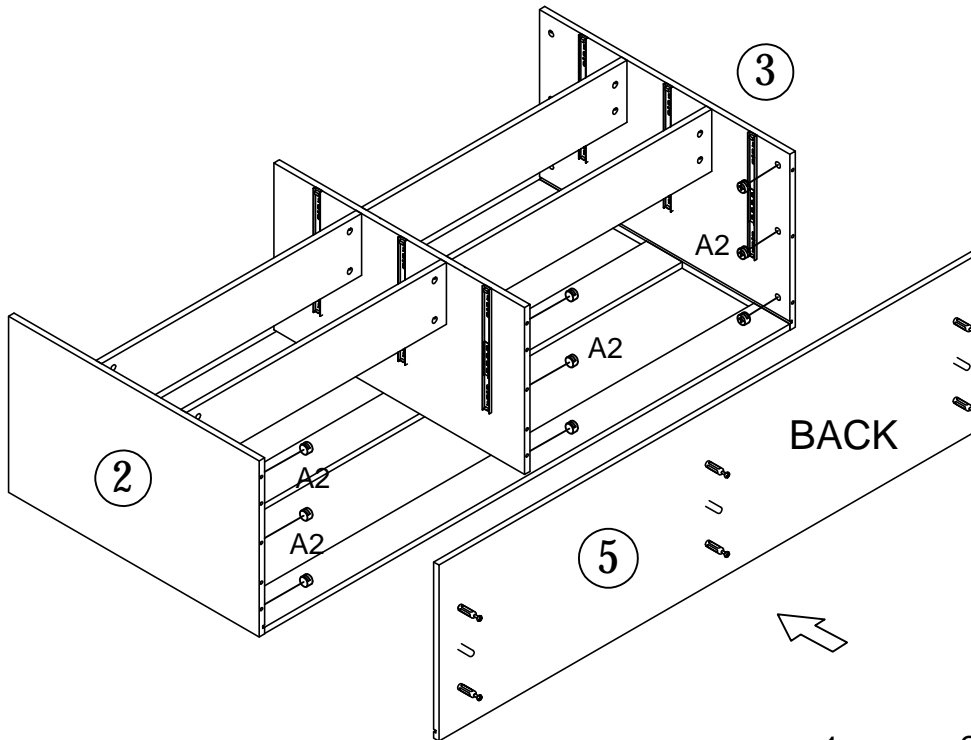
15PCS

B



9PCS

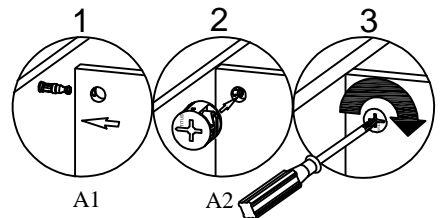
10



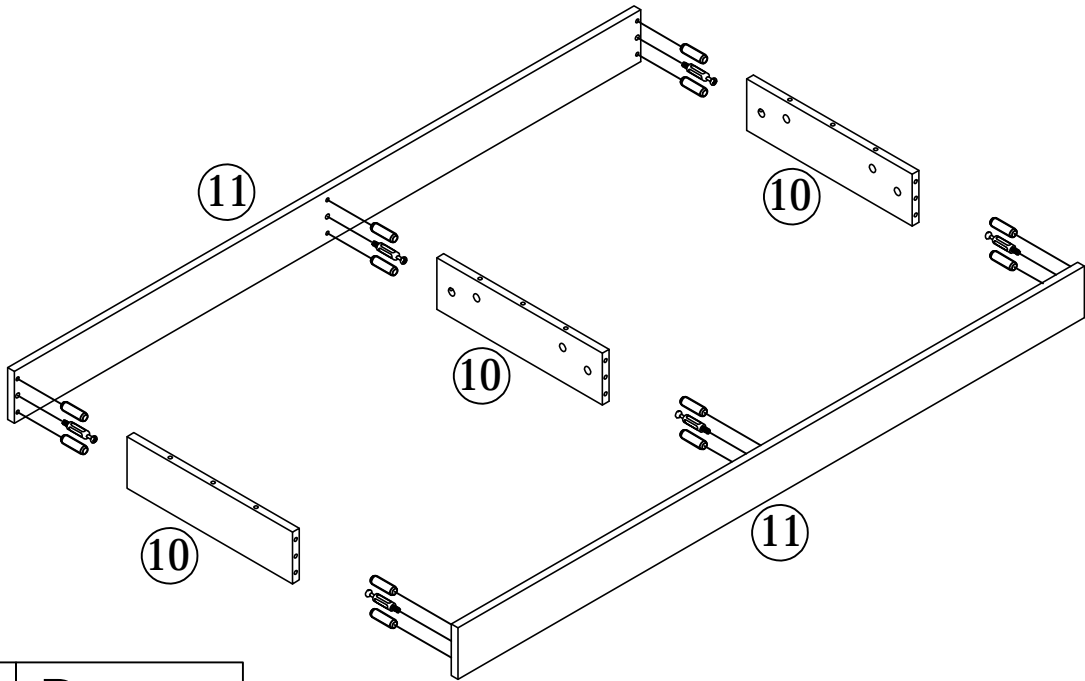
A2



9PCS



# 11



A1



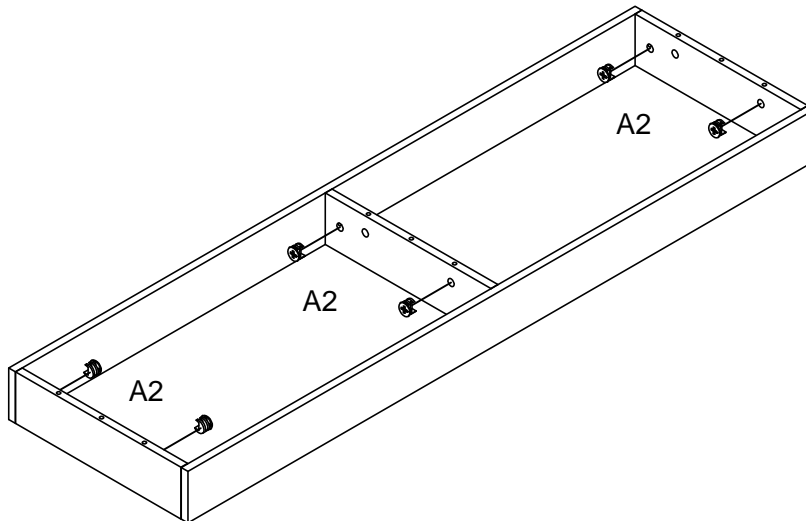
6PCS

B



12PCS

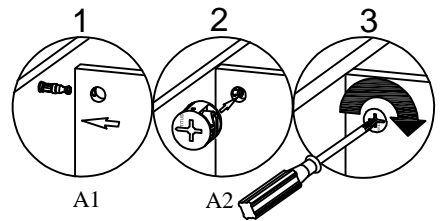
# 12



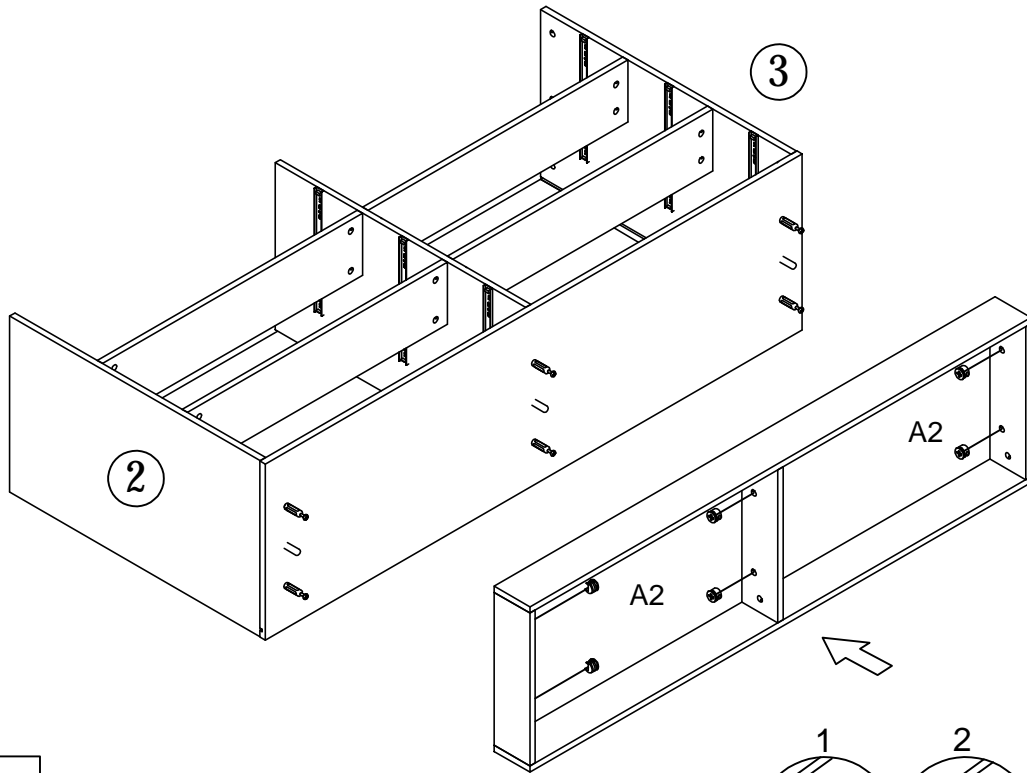
A2



6PCS



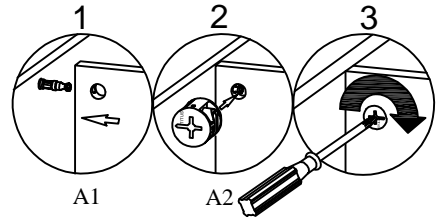
13



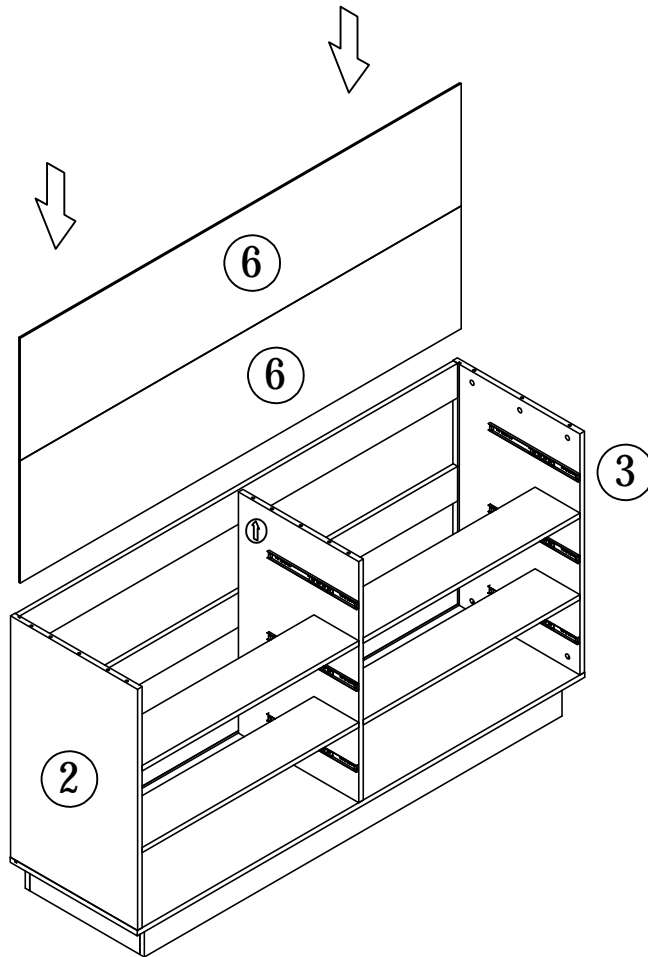
A2



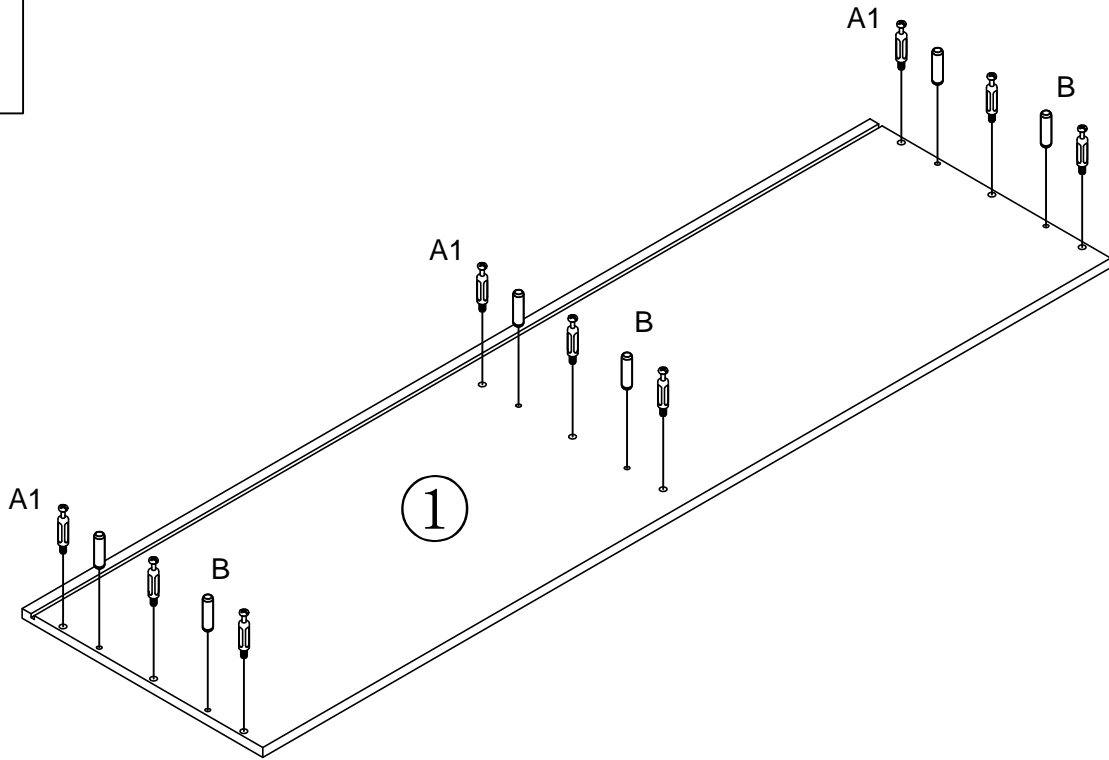
6PCS



14



15



A1



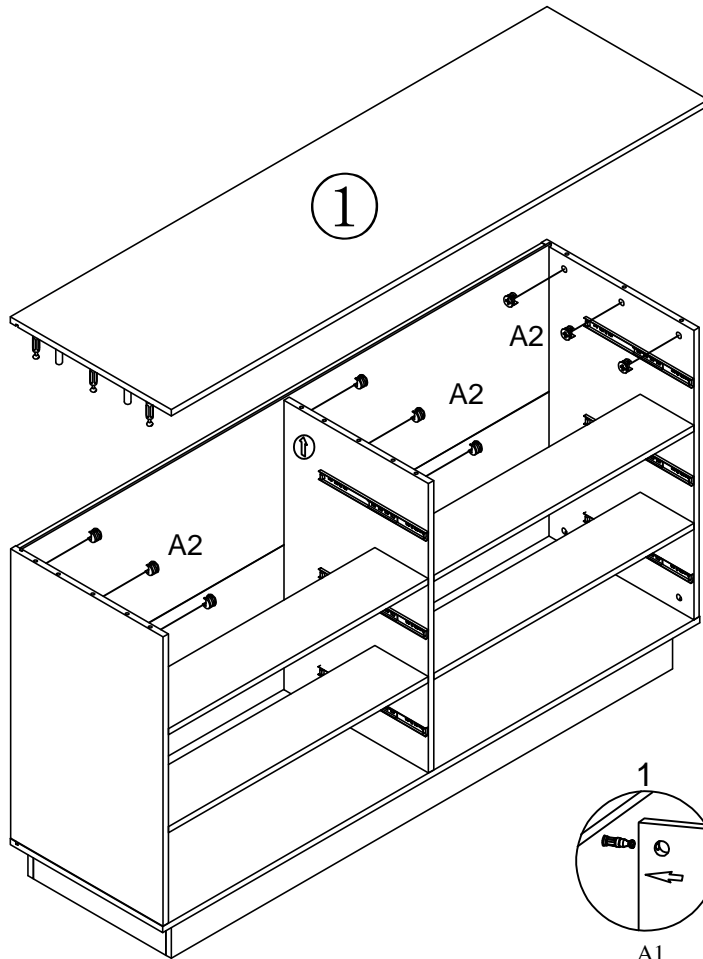
9PCS

B



6PCS

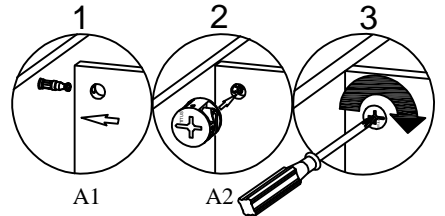
16



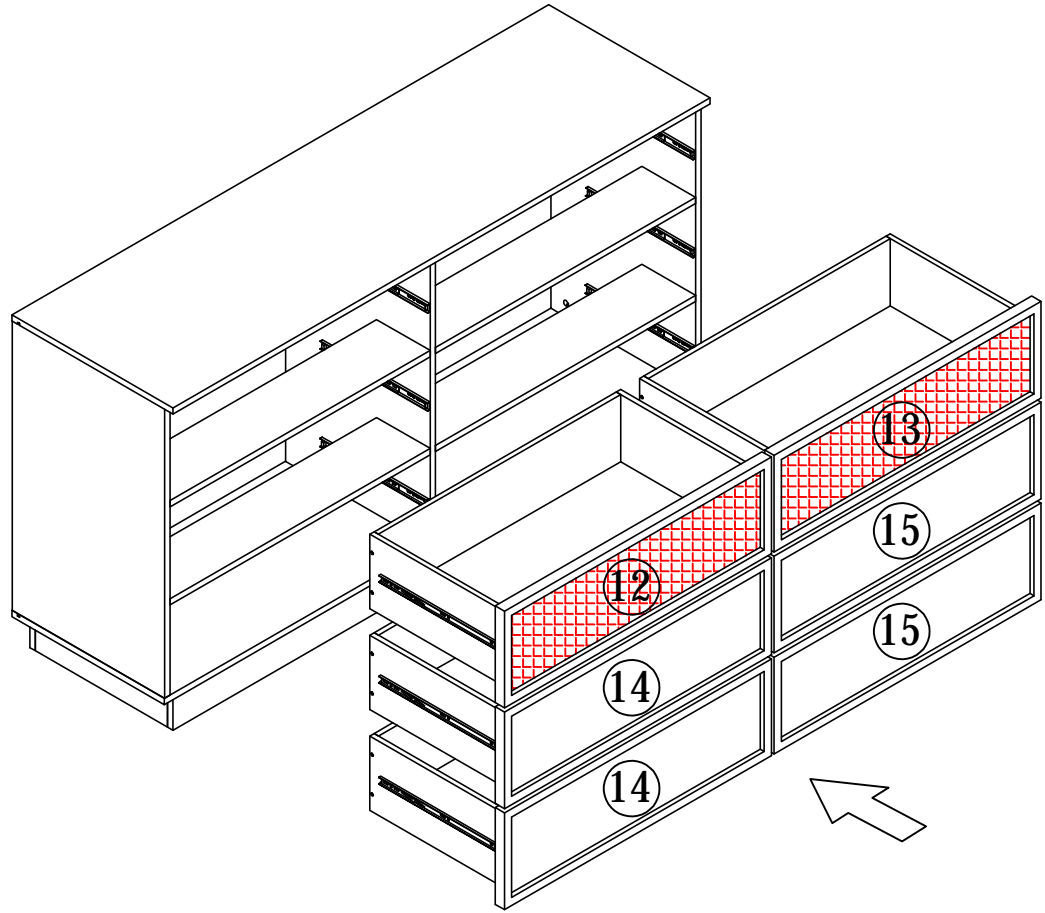
A2



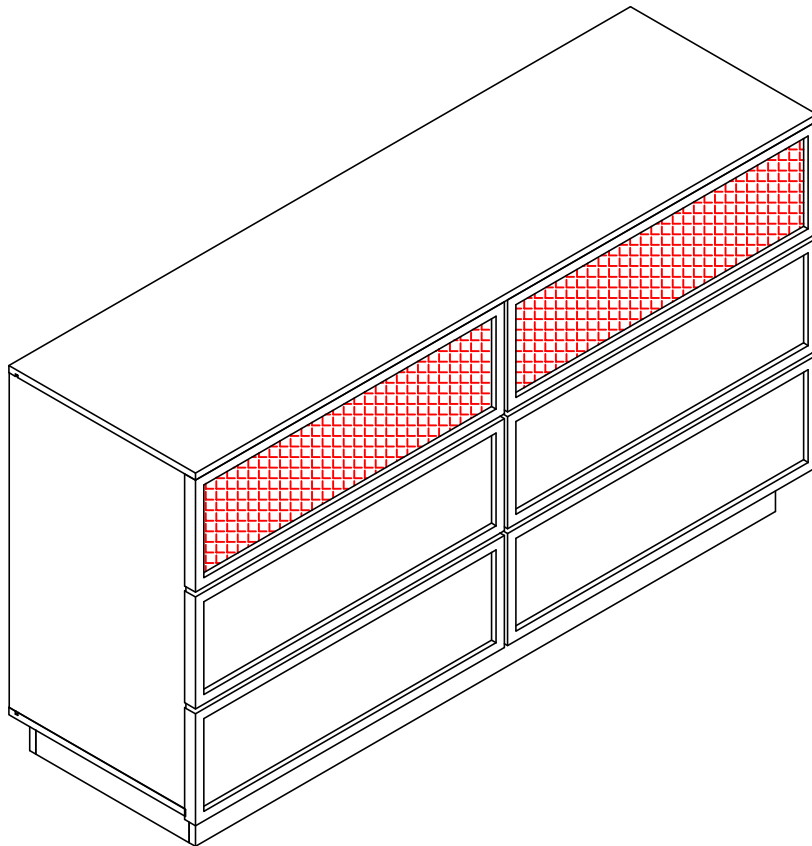
9PCS



17



18



# ASTM F3096-14 Compliant Anti-Tip Restraint Statement

## ⚠ Anti-Tip Restraint-Required for Safe Use

This product complies with **ASTM F3096-14**, the Standard Specification for Tip-Over Restraints Used with Clothing Storage Units.

To reduce the risk of tip-over injuries or death, **one of the included anti-tip restraint systems MUST be installed before use.**

## Included Anti-Tip Restraint Options

### 1. L-Shaped Metal Bracket (Top Mount)

Install the metal bracket **to the top of the dresser** and secure it to a wall stud using the provided screws.

### 2. Plastic Adjustable Anti-Tip Strap Kit (As shown in the image)

Includes:

- Plastic mounting plates
- Adjustable plastic strap (zip-tie style)
- Screws

Install one plastic mounting plate to the **back of the dresser**, and the other to a **wall stud**.

Connect them using the adjustable plastic strap and tighten securely.

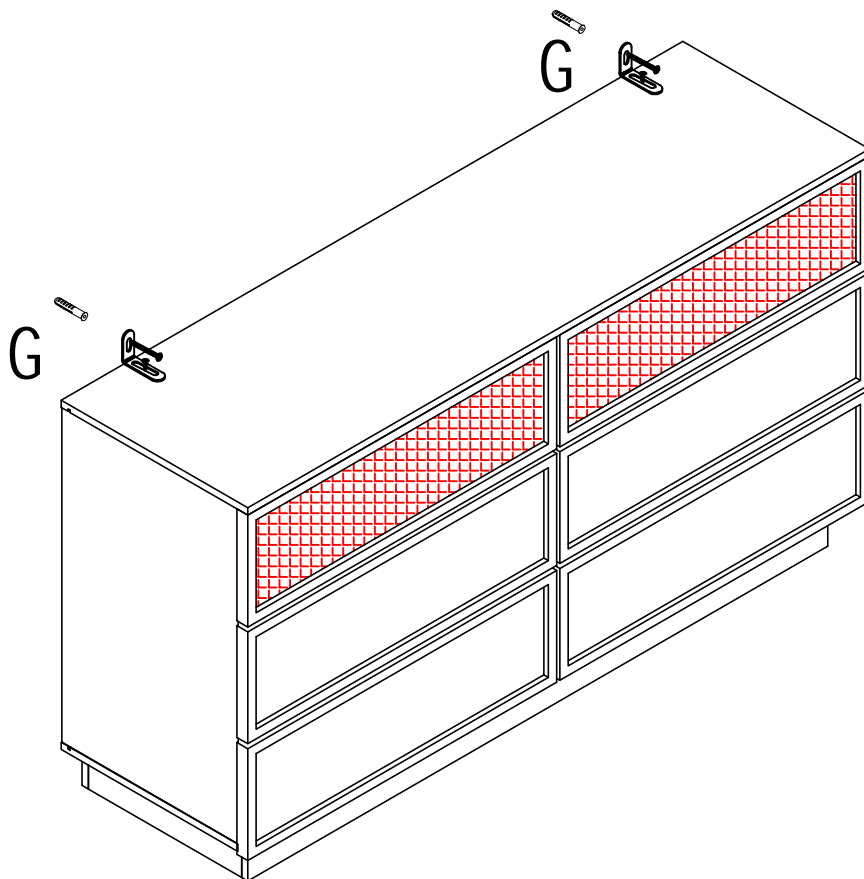
## Mandatory Safety Instructions

- Always anchor the unit to a **wall stud or structural support**.
- Ensure all screws are fully tightened and the strap is fully secured.
- Re-check the restraint periodically and tighten if needed.
- Do not place heavy items in the top drawers until the restraint is installed.
- Do not allow children to climb or hang on drawers.

## Warning

Failure to install the anti-tip restraint may result in serious injury or death. Proper installation is required for compliance with **ASTM F3096-14**.

19



20

