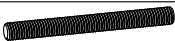



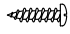
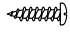


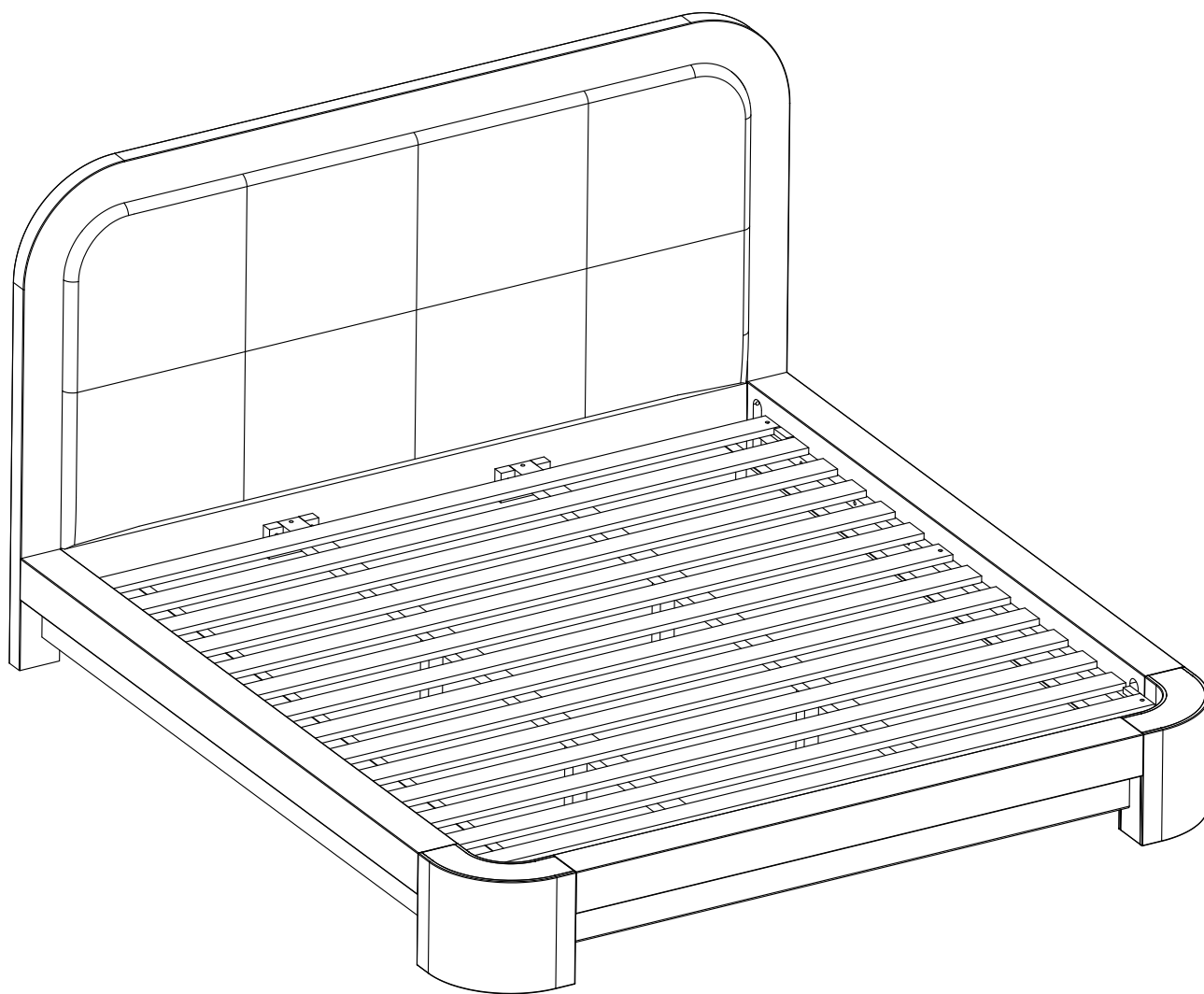


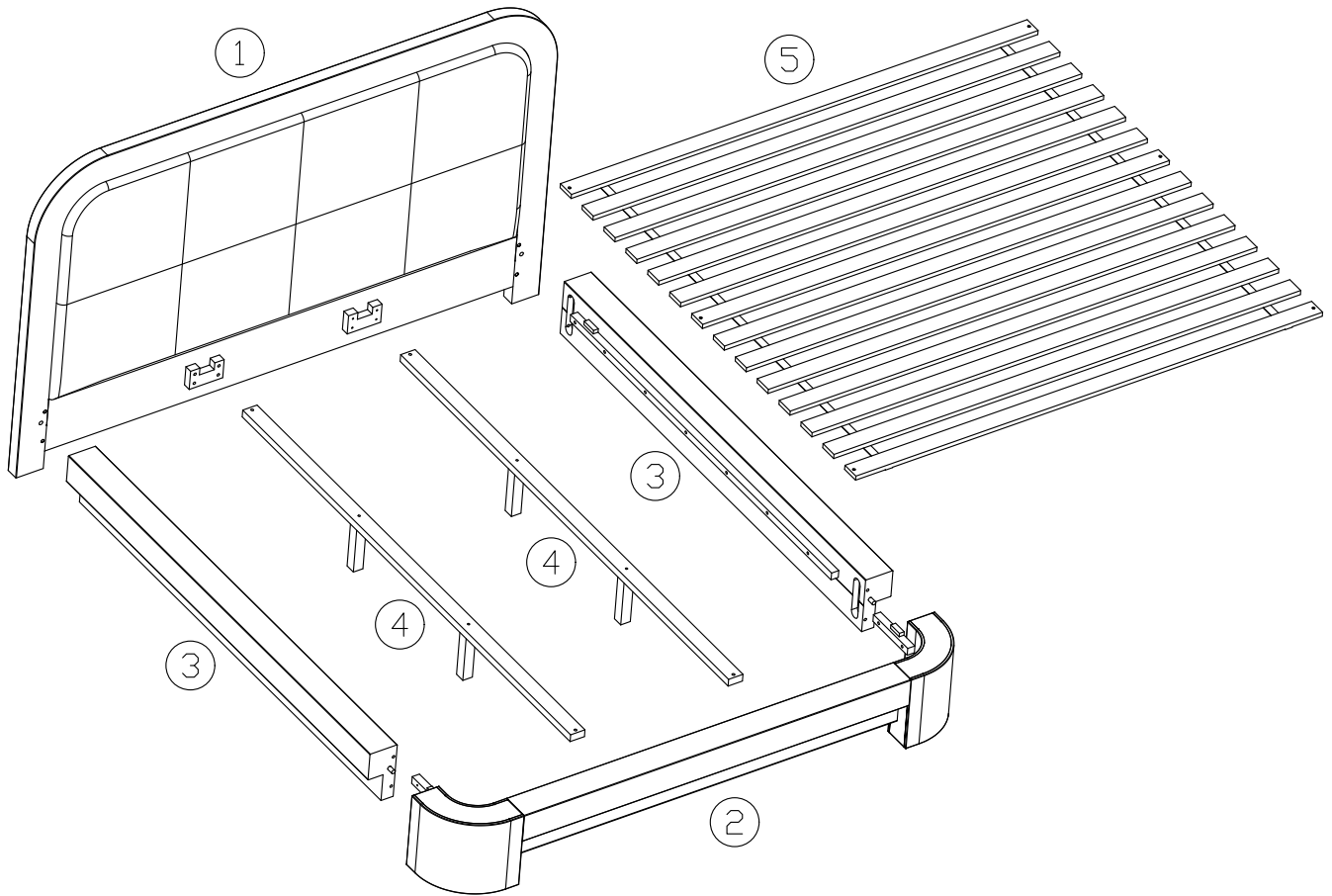
ASSEMBLY INSTRUCTION FOR RANE KING BED

HARDWARE LIST

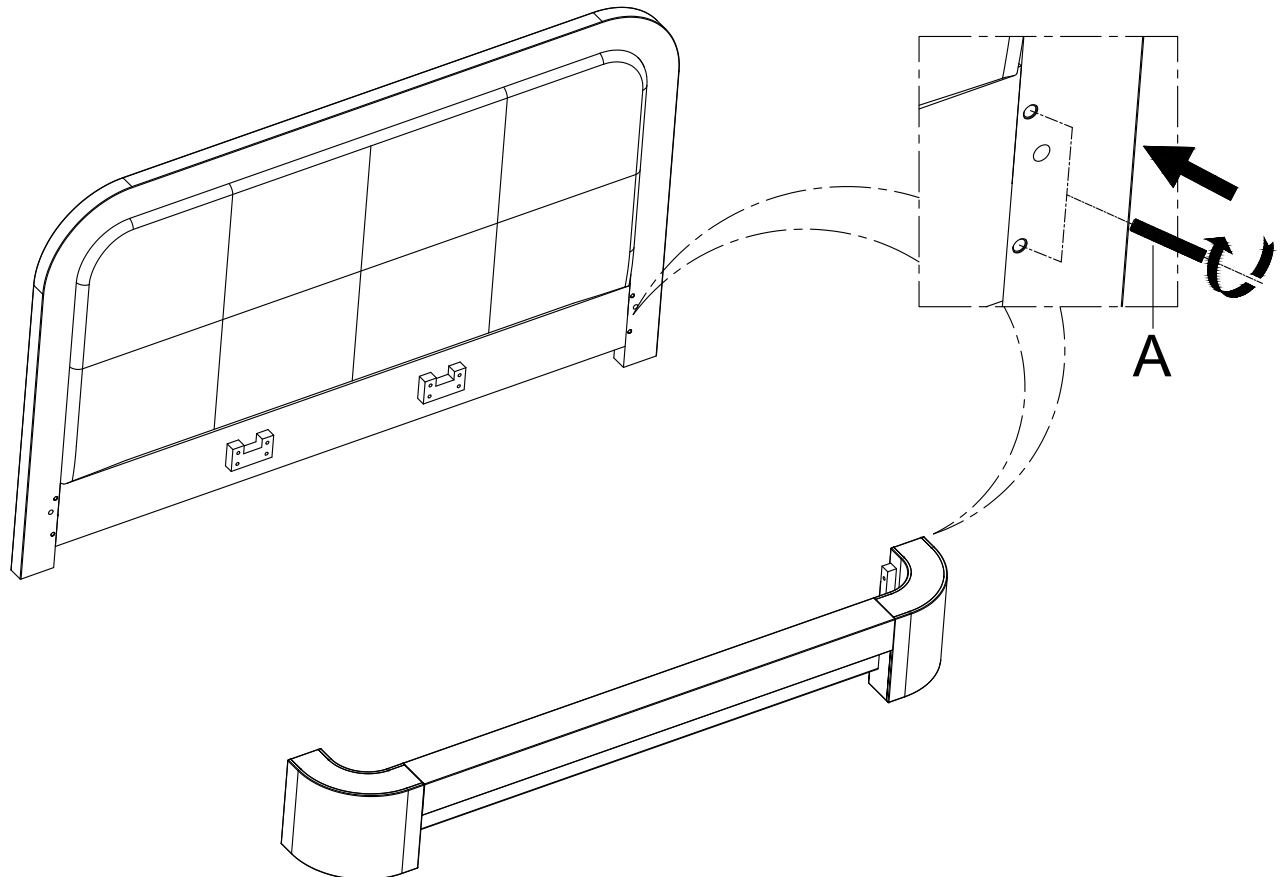
A		Threaded Rods	M8 x 75mm	8
B		Hex Nuts	M8 x15mm	8
C		Wrench	12 mm	1
D		Halfmoon washer	3*15*35 mm	8
E		Screw	4mm x 40mm	6
F		Screw	4mm x 30mm	6
G		Screwdrivers (Not included)		1
H		Leg Support		4



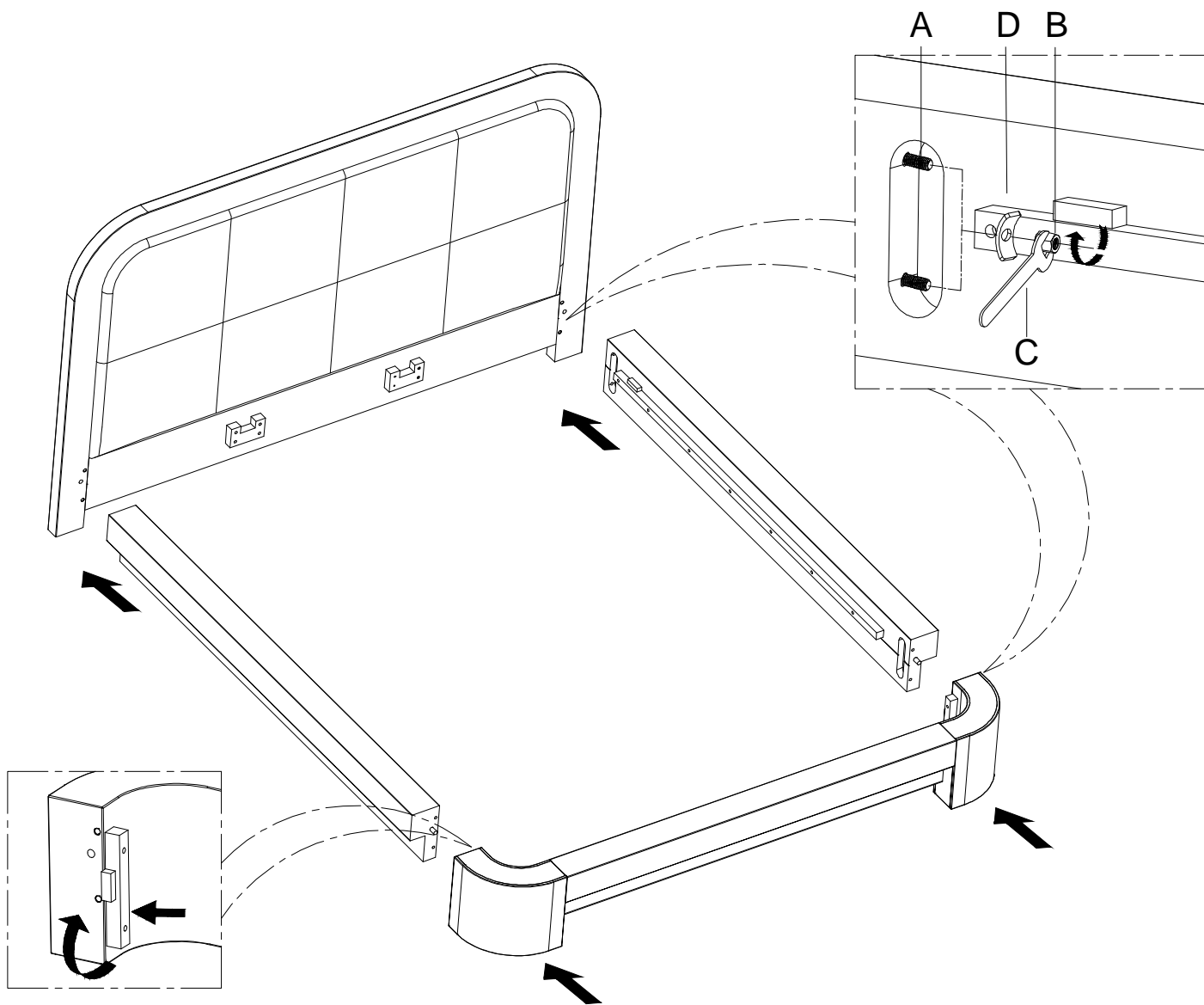
COMPONENTS



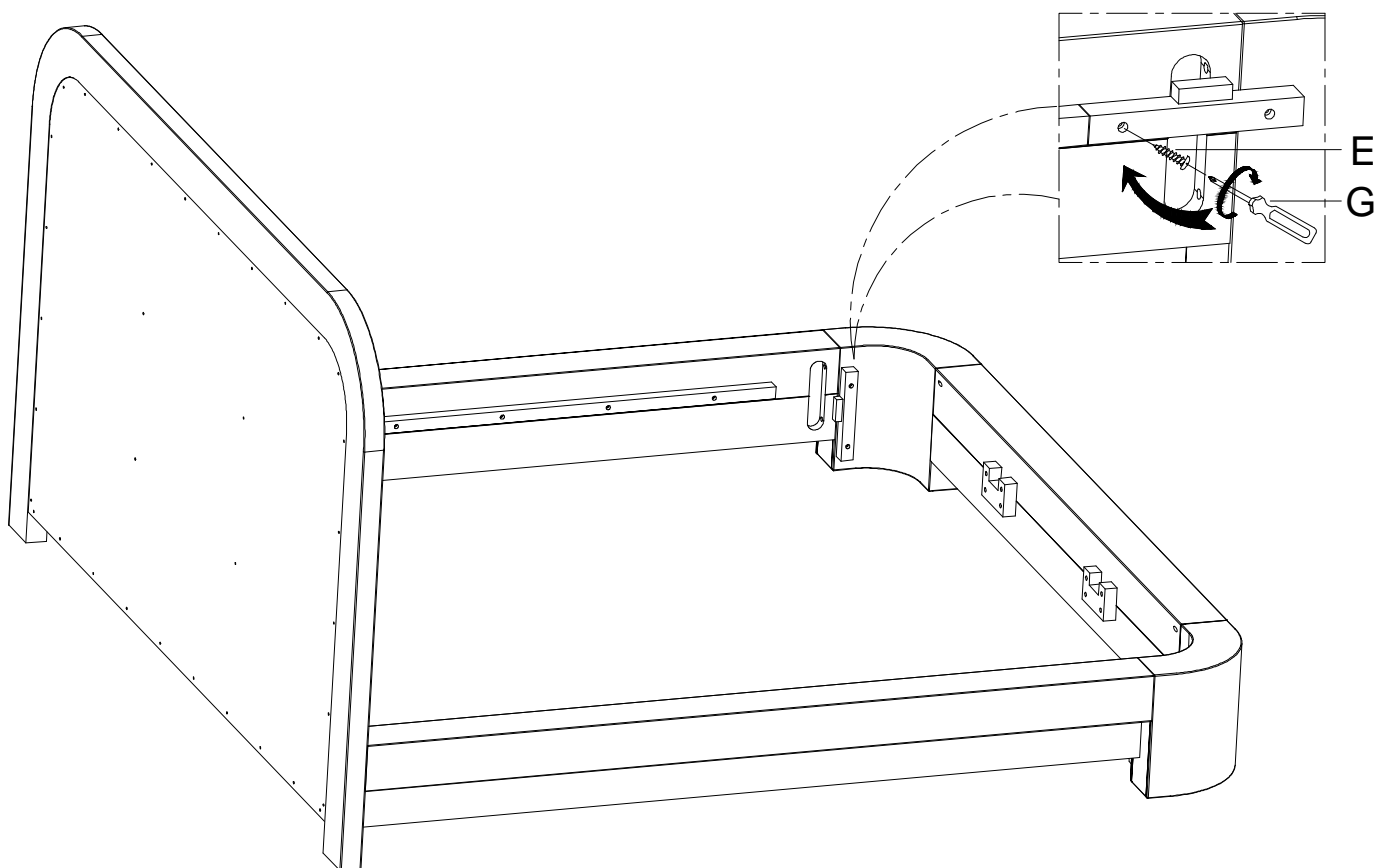
1

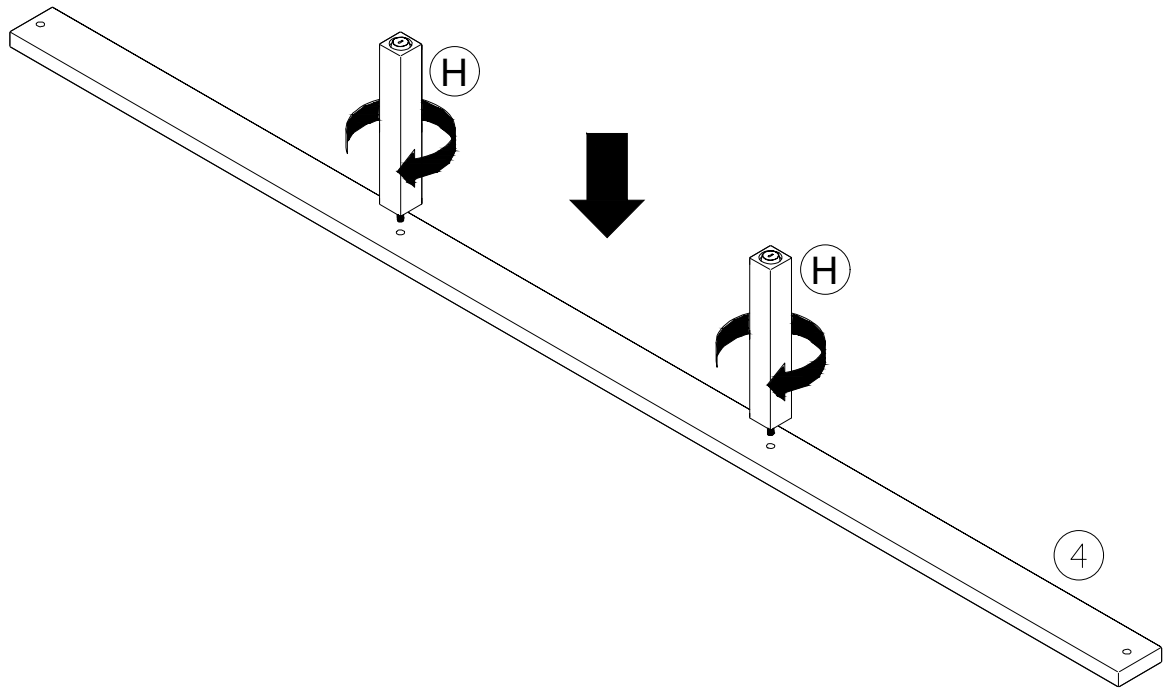


2



3





4

