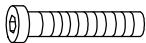


ASSEMBLY INSTRUCTIONS

HARDWARE



M6x45

Ⓐ x 04



Ø6

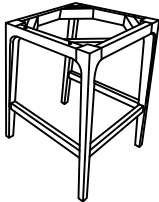
Ⓑ x 04



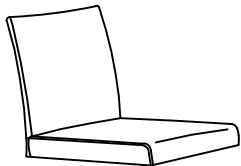
4mm

Ⓒ x 01

PARTS

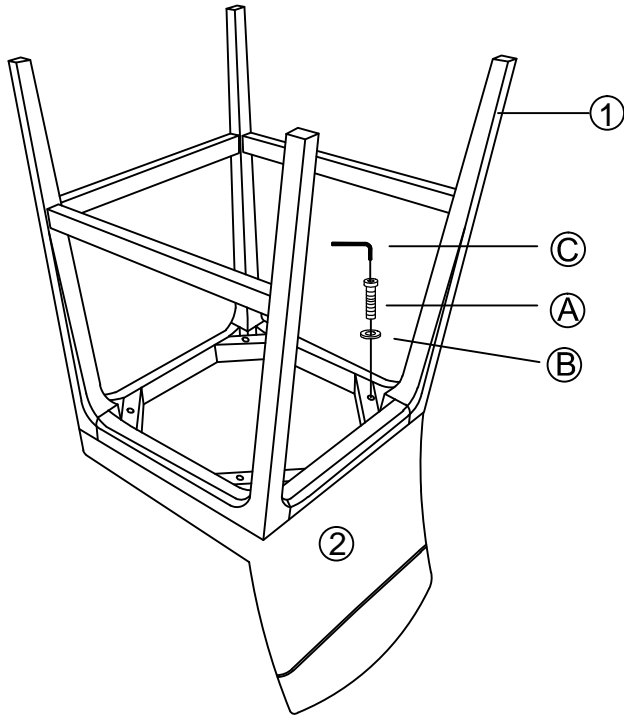


① x 1 PC



② x 1 PC

1



2

