

NOTICE

* Please make sure that you have all parts indicated and they are in good condition before you begin assembly of this item. Refer to parts list and hardware list below for guidance.

* This item should be assembled on a soft surface to prevent scratching the finished goods during assembly.

* Do not fully tighten the bolts until the product is assembled.

* This item may require periodic tightening.

* If you are having difficulty, our friendly Customer Care team is always here to help.

PREPARATION

* Before beginning assembly of product, make sure all parts are present. Compare parts with part contents list and hardware contents list.

* If an parts is missing or damaged, do not attempt to assemble the product.

* Estimated Assembly Time: 10 minutes.

* Tools Required for Assembly: Wrench Key (included),

CARE AND MAINTENANCE






Spot clean using a mild water-free solvent. Only a professional cleaner should undertake a complete overall cleaning.

The use of steam or water-based cleaners may cause excessive shrinking or staining.

Product Dimensions: 47.2"W X 15.7"D X 18.1"H



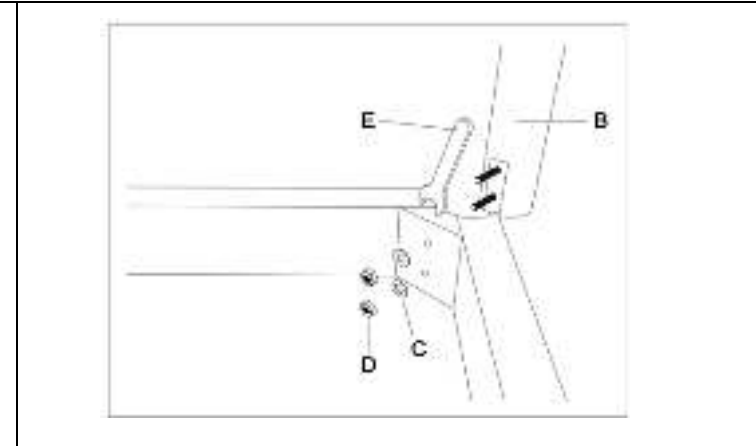
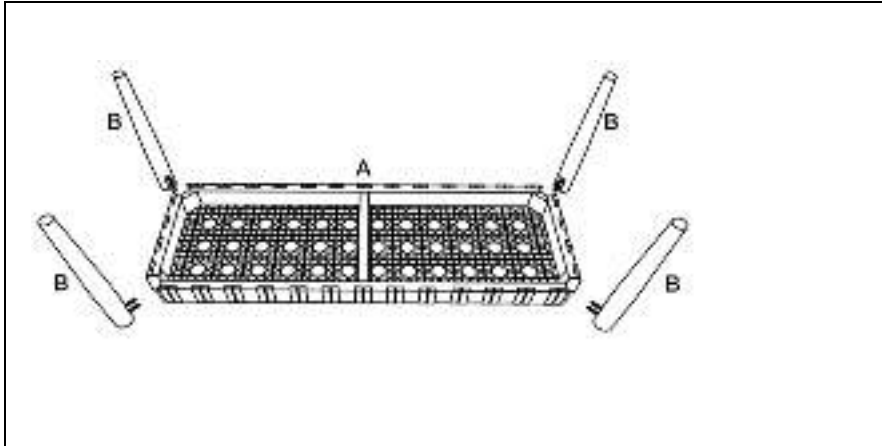
Part List and Hardware List

PIECE	DESCRIPTION	PICTURE	QUANTITY
A	SEAT		1X
B	LEG		4X
C	FLAT WASHERS		8X
D	NUTS		8X
E	WRENCH KEY		1X



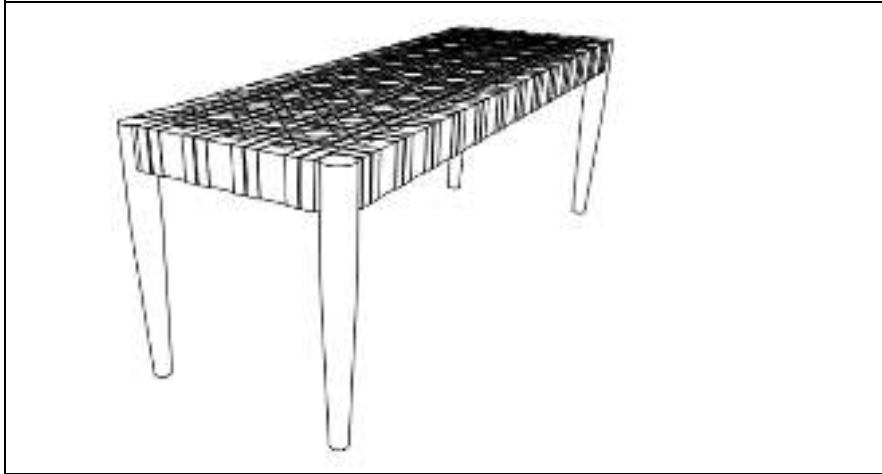
PREPARATION

Before beginning assembly of product, make sure all parts are present. Compare parts with package contents list and hardware contents list.
If any part is missing or damaged, do not attempt to assemble the product.
Estimated Assembly Time: 10 minutes.



STEP1 PREPARE ALL COMPONENT AND HARDWARE

STEP2 ATTACH THE NUTS AND FLAT WASHERS TO THE BOLT, TIGHTEN THE NUT USING THE WRENCH KEY



STEP3 FINISH