

ASSEMBLY INSTRUCTIONS

Description: buffet




Important safety instructions:

- Please carefully read all instructions before assembling.
- For your safety and ease, assembly by two or more adults is recommended.
- Keep instructions for future use.





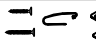
Pre-assembly:

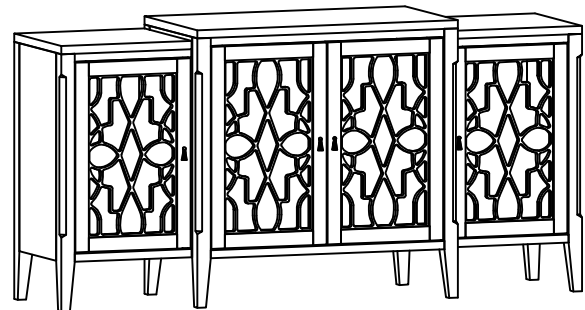
- Do not discard any contents until after assembly is complete to avoid accidentally discarding small parts or hardware.
- Remove all parts and hardware from box along with any plastic protective packaging.

Parts List

Item	Description	QTY
P1	Medium Buffet 	1
P2	Left Side Buffet 	1
P3	Right Side Buffet 	1





Hardware List

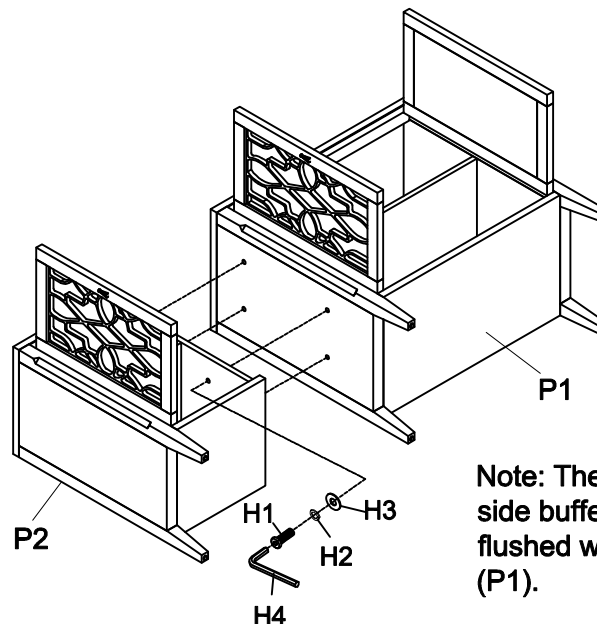
Item	Description	QTY
H1	Bolts $\varnothing 5/16"$ x1-1/4" 	8
H2	Spring Washers 5/16" 	8
H3	Flat Washers 5/16" 	8
H4	Allen Wrench 5/16" 	1
H5	Anti Tip Kit 	1 SET



Assembly Procedures:

Step 1. Assemble the buffet on a flat, soft surface such as a carpet or cloth to prevent scratching the finish. Loosely attach the left side buffet (P2) to medium buffet (P1) using bolts (H1), lock washers (H2) and flat washers (H3) as shown below.

- (H1)x4 Bolts 
- (H2)x4 Spring Washers 
- (H3)x4 Flat Washers 
- (H4)x1 Allen Wrench 



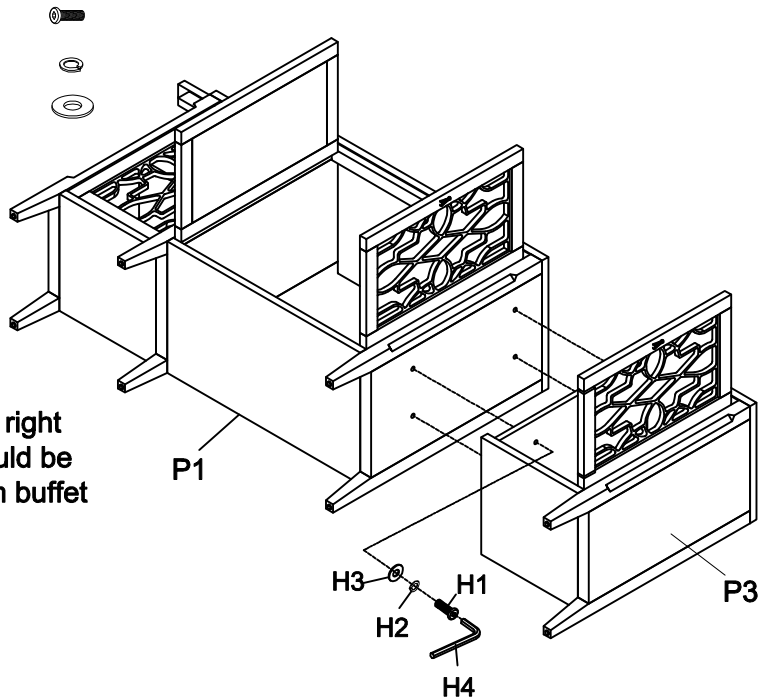
Note: The bottom of left side buffet (P2) should be flushed with medium buffet (P1).

Step 2. Loosely attach the right side buffet (P3) to medium buffet (P1) using bolts (H1), lock washers (H2) and flat washers (H4) as shown below.

(H1)x4 Bolts $\text{\O}5/16\text{"}\times 1\text{-}1/4\text{"}$

(H2)x4 Spring Washers $5/16\text{"}$

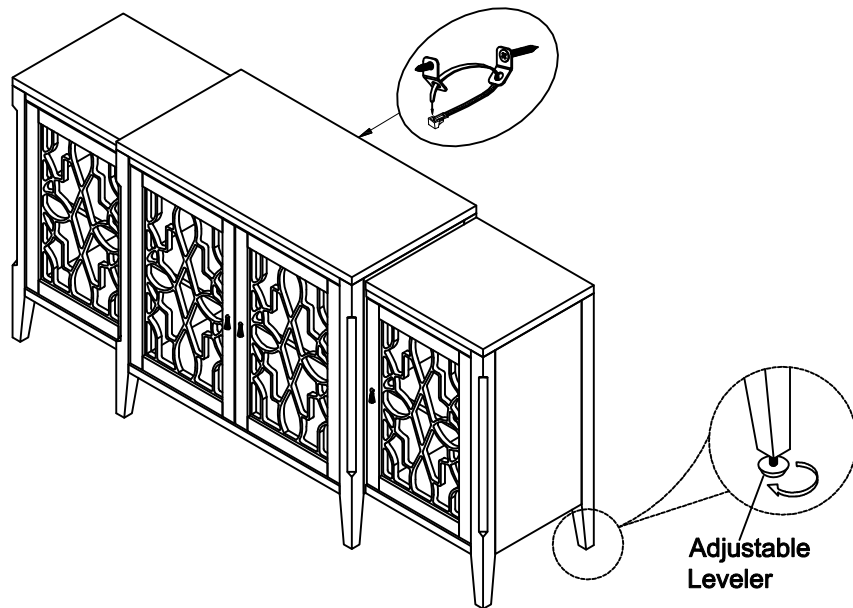
(H3)x4 Flat Washers $5/16\text{"}$



Note: The bottom of right side buffet (P3) should be flushed with medium buffet (P1).

Step 3.

- 1) Securely tighten all the bolts with Allen wrench (H4). Turn the assembled buffet to an upright position.
- 2) Leveler adjustment: Levelers are installed on the legs and adjust as needed to make sure the buffet is level. Assembly is complete. **Failure to follow these instructions may cause the bolts to misalign during assembly.**
- 3) **Recommend that you attach the products to your wall as a safety precaution. Please see the other instructions "Furniture Safety Bracket Tip Resistant".**



ADDITIONAL NOTE ABOUT SAFETY: BOLTS MAY LOOSEN DURING NORMAL EVERYDAY USE. THEY SHOULD BE PERIODICALLY INSPECTED AND RE-TIGHTENED TO PREVENT DAMAGE OR INJURY. ALWAYS CHECK TO BE SURE THAT ALL HARDWARE IS KEPT TIGHTENED.

Thank you for your purchase

Furniture Safety Bracket Tip Resistant

- Designed to help prevent furniture tipover.
- Detachable strap allows for easy moving of furniture for cleaning.
- Also helps prevent furniture tipover during minor tremore.

Installation:

Short Screw (1pcs)



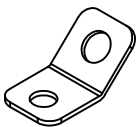
Long Screw (1pcs)



Strap (1pcs)



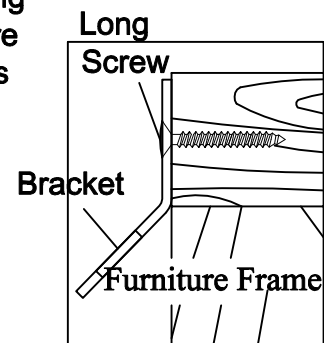
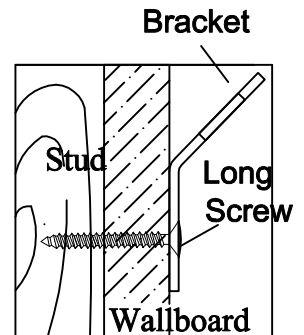
Bracket (2pcs)



1. Locate a wall stud behind your furniture. Position a bracket on the stud approximately 1" below the top frame of the furniture. Mark and drill pilot hole into the center of the stud with a 3/32" drill bit. Attach a bracket to the stud with the long screws provided.

2. On the back of the furniture, a bracket will need to be attached to the furniture frame at the top. To do this, temporarily move the furniture into its final position and mark the location of the wall bracket on the furniture frame. Move the furniture away from the wall and place a bracket on the mark. Mark and drill holes for screws with a 3/32" drill bit. Attach the bracket to the furniture with the short screws provided.

3. Move the furniture into its final position, taking care to line up the wall bracket with the furniture bracket. Thread a strap through the bracket as shown in the illustration. Tighten strap until snup. Don not overtighten.



Important:

Check to be sure the wall bracket is firmly screwed into wall stud, the furniture bracket is firmly attached to the frame, and the strap is snug.

Caution:

This product is not to be a substitute for proper parental supervision. Manufacturer assumes no liability for improper installation or excessive loads placed on screws brackets or straps.

