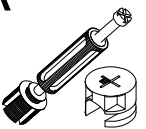
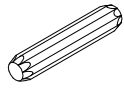
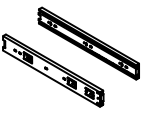
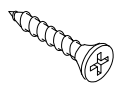



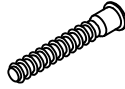
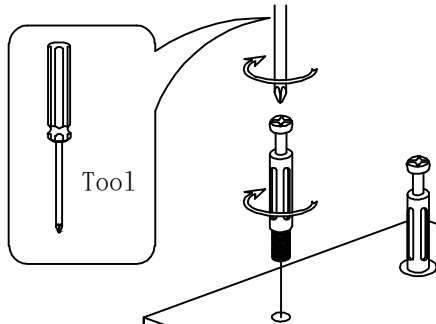


<p>A</p>  <p>61PCS</p>	<p>B 8*40</p>  <p>14PCS</p>	<p>C 350MM</p>  <p>6PCS</p>	<p>D 3.5*14</p>  <p>48PCS</p>	<p>E 3.5*35</p>  <p>24PCS</p>	<p>F</p>  <p>6PCS</p>	<p>G 4*18</p>  <p>12PCS</p>	<p>H 7*50</p>  <p>3PCS</p>
---	---	---	---	--	---	---	--

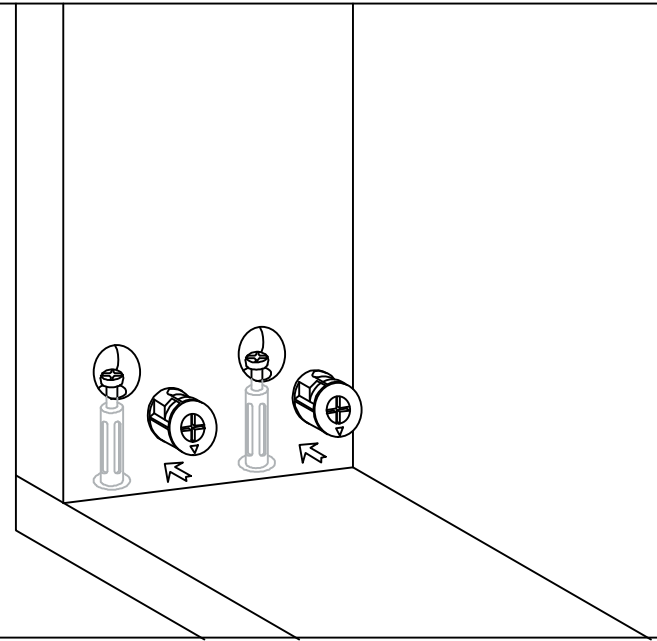
"A" Hardware installation example

I

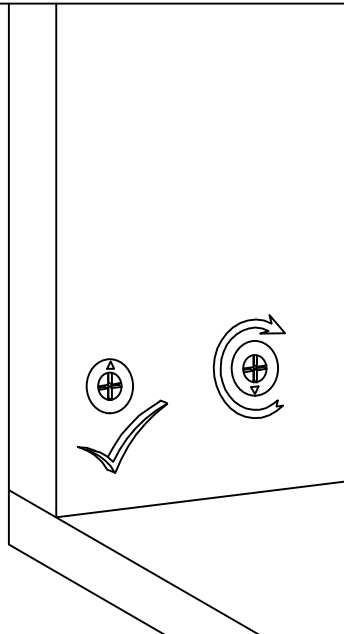
not include



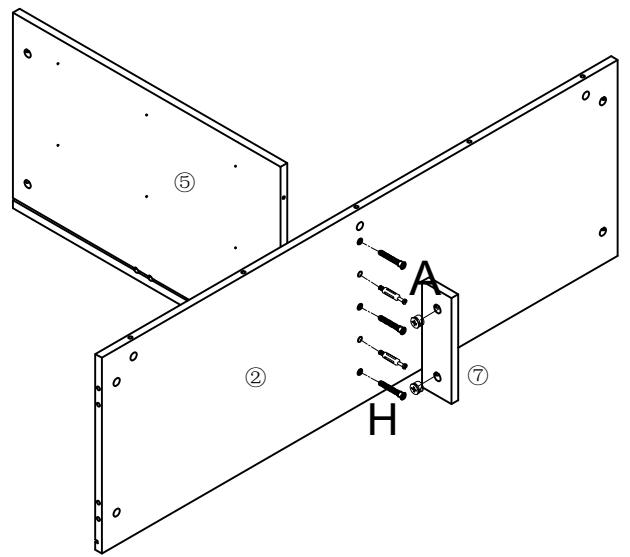
II



III

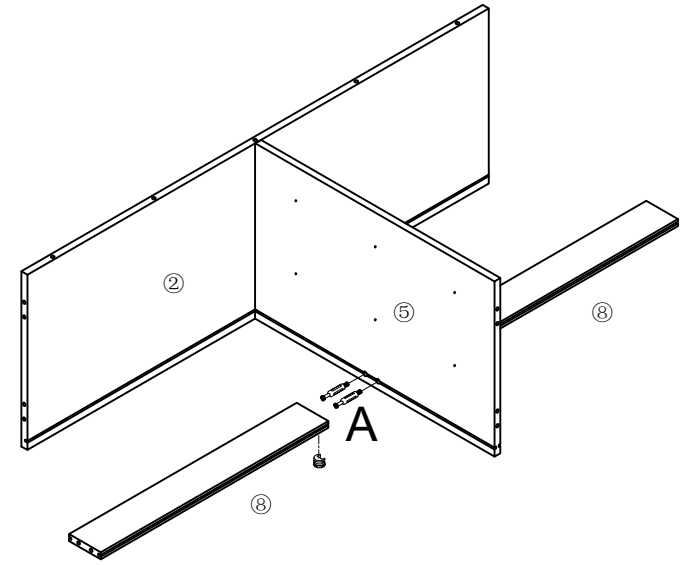


1



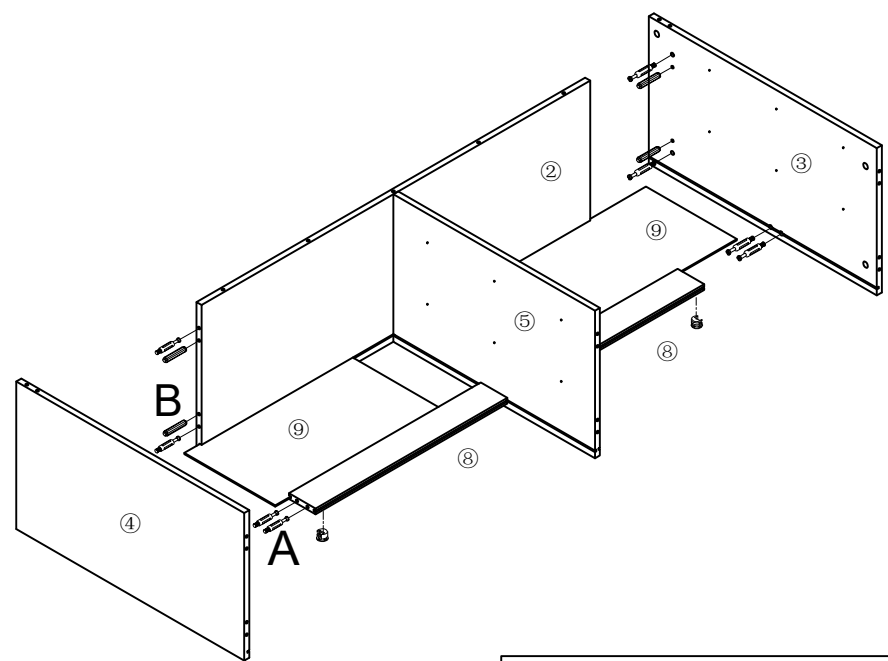
A*2 H*3

2



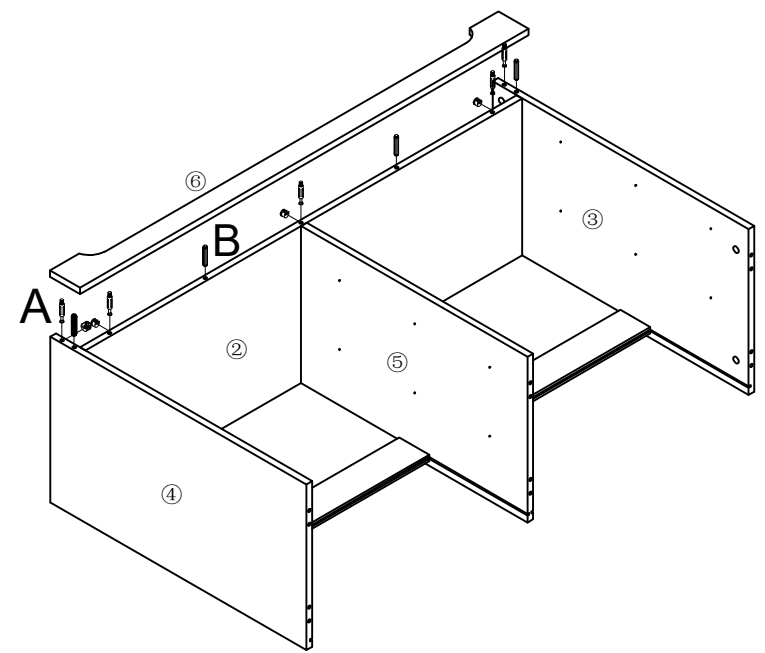
A*4

3



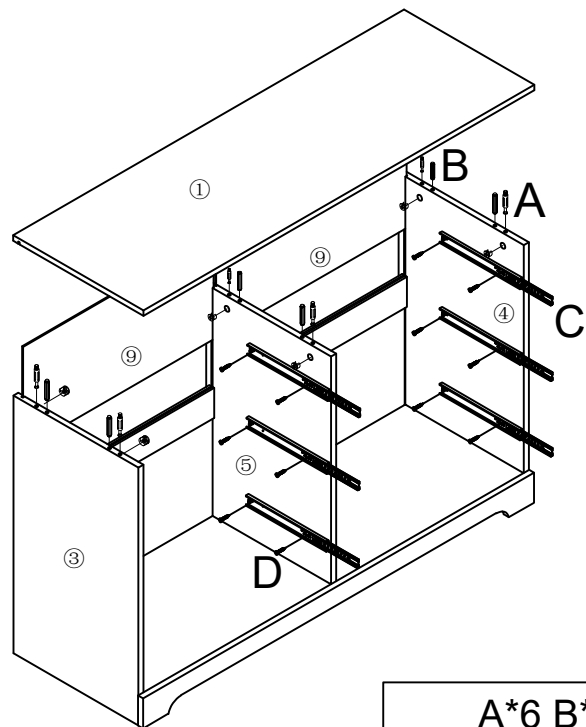
A*8 B*4

4



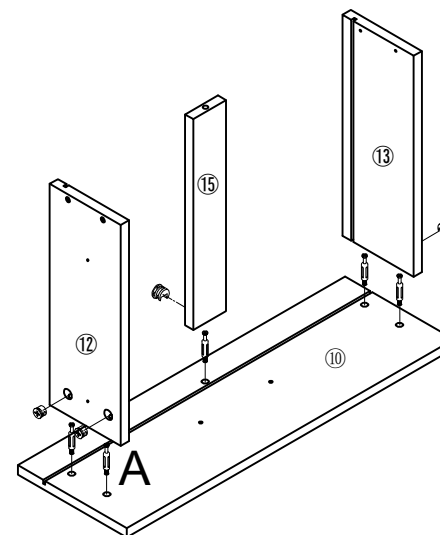
A*5 B*4

5



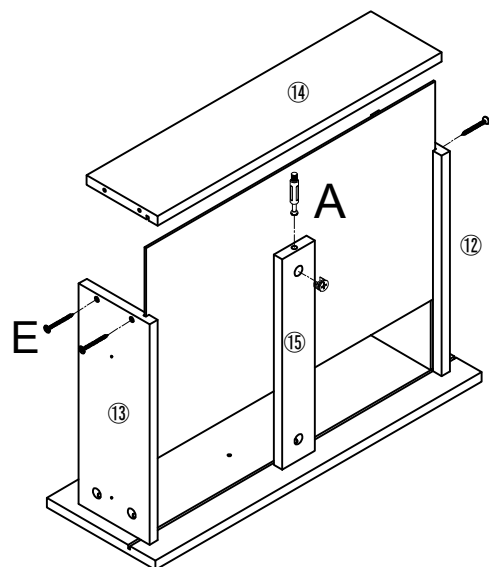
A*6 B*6 C*6 D*24

6



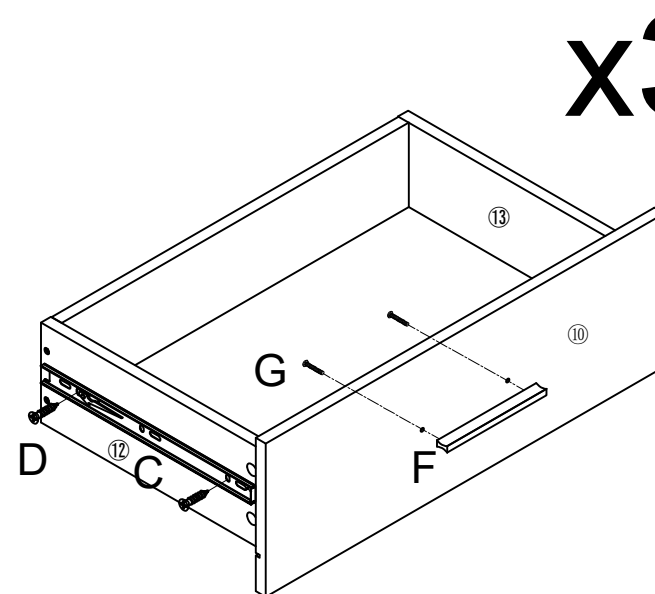
A*5

7



A*1 E*4

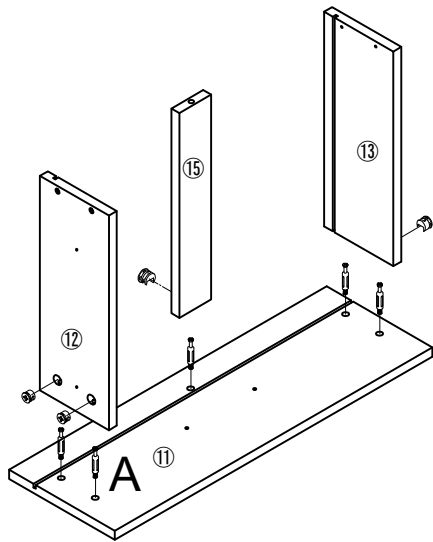
8



x3

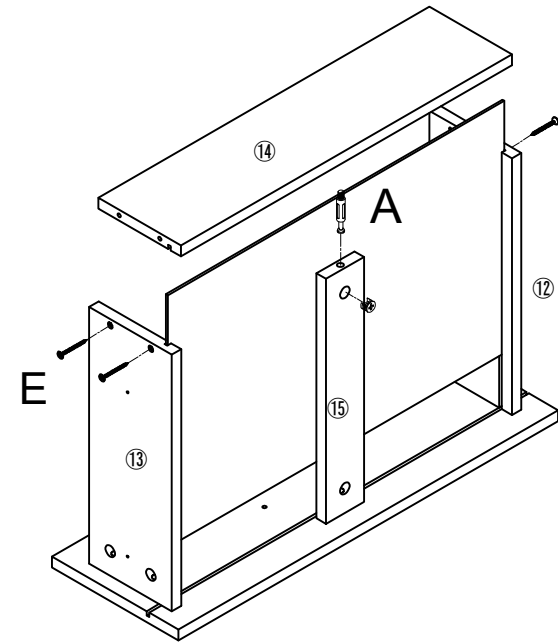
C*1 D*4 F*1 G*1

9



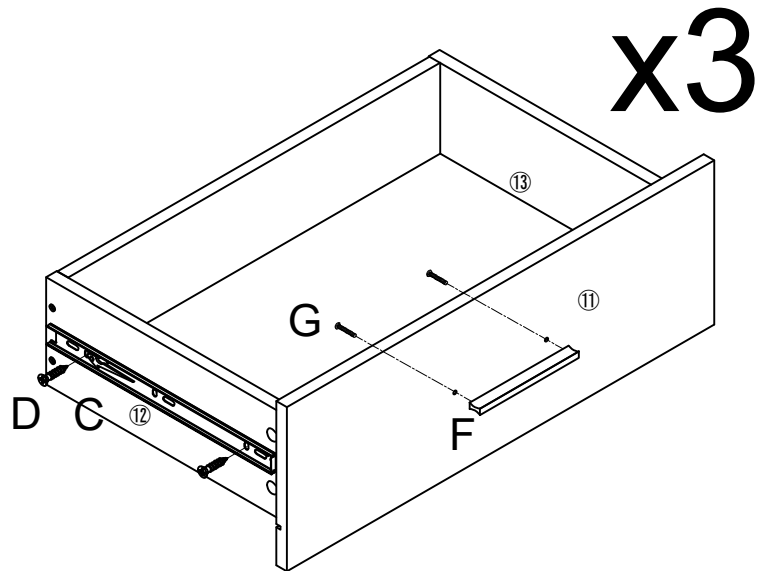
A*5

10



A*1 E*4

11



x3

C*1 D*4 F*1 G*1

12

