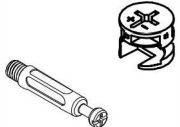

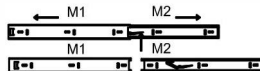





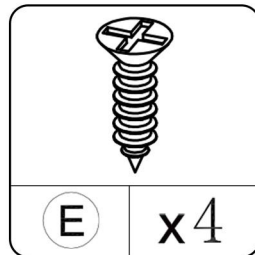
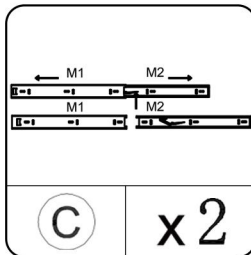
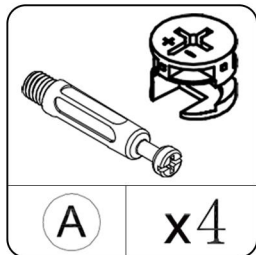
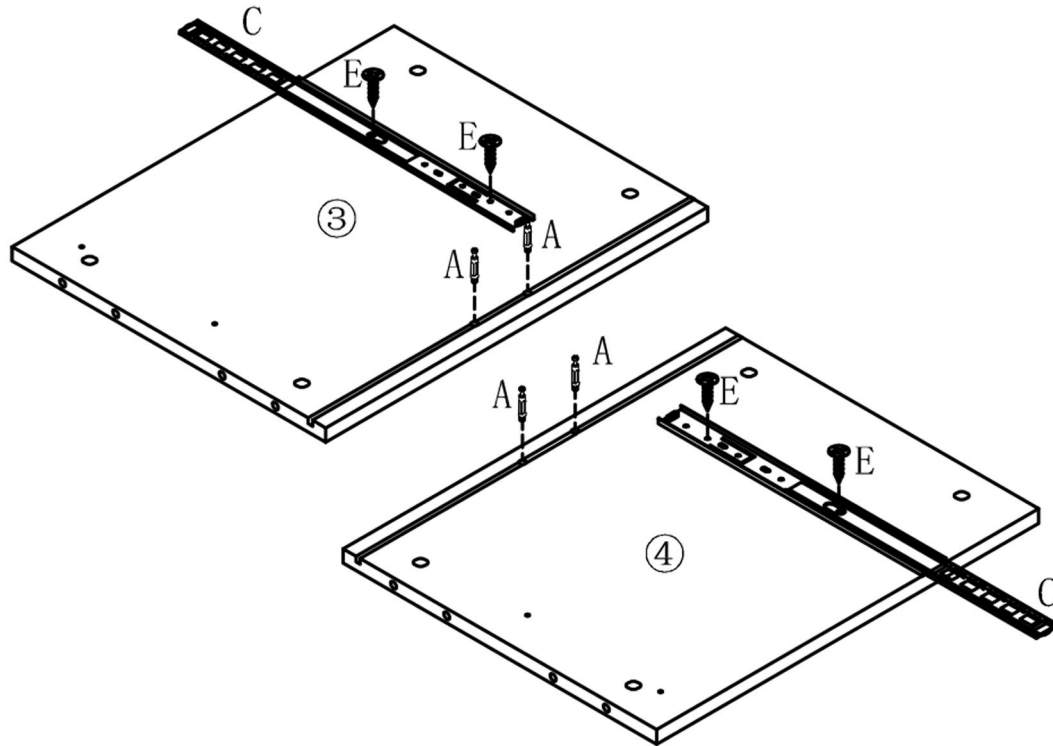


<p><b>A</b> 28 PCS</p> 	<p><b>B</b> 16 PCS</p>  <p>∅8*30</p>	<p><b>C</b> 2 PCS</p> 	<p><b>D</b> 2 PCS</p>  	<p><b>E</b> 20 PCS</p>  <p>∅3.5*14</p>	<p><b>F</b> 8 PCS</p>  <p>∅3.5*25</p>	<p><b>G</b> 1 PCS</p>  <p>LED</p>
-----------------------------------------------------------------------------------------------------------	-------------------------------------------------------------------------------------------------------------------------	-----------------------------------------------------------------------------------------------------------	------------------------------------------------------------------------------------------------------------------------------------------------------------------------------------------------	-----------------------------------------------------------------------------------------------------------------------------	----------------------------------------------------------------------------------------------------------------------------	------------------------------------------------------------------------------------------------------------------------

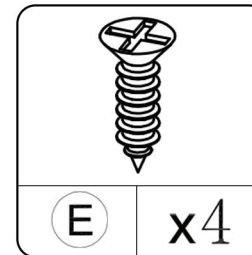
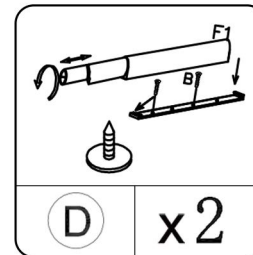
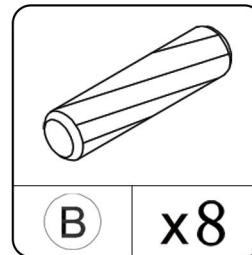
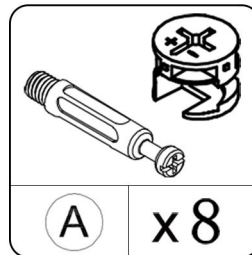
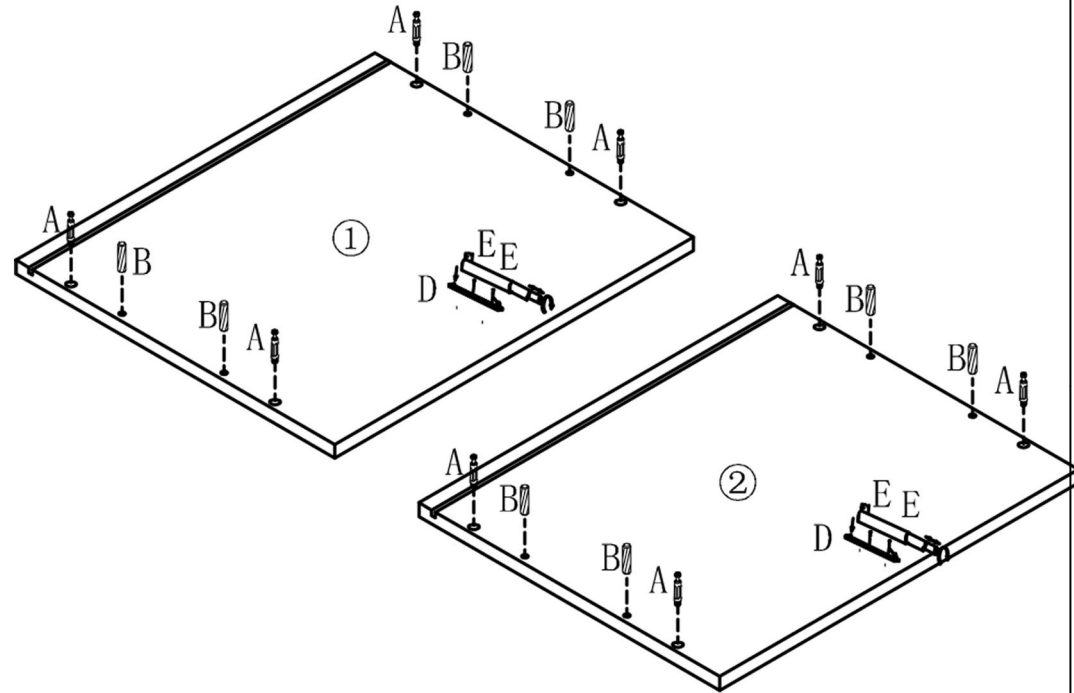
1

Attach rails(C) to panel(3&4) with screw(E) as below  
Screw cam bolts into panel(3&4) as below



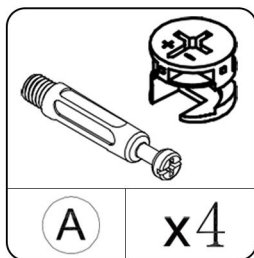
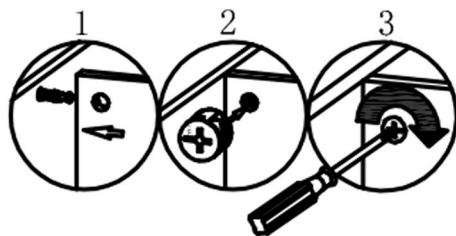
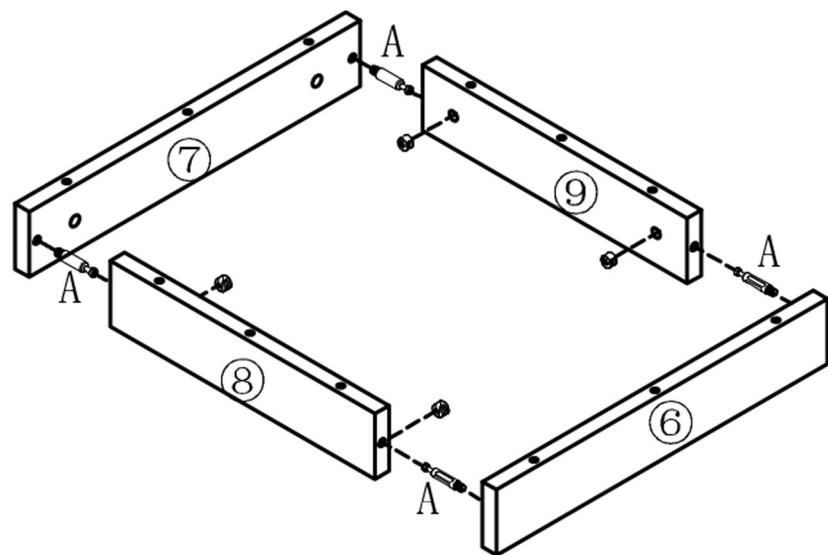
2

Screw cam bolts and insert wood dowels into panel(1&2)  
Attach rebound device(D) with screw(E) to panel(1&2)



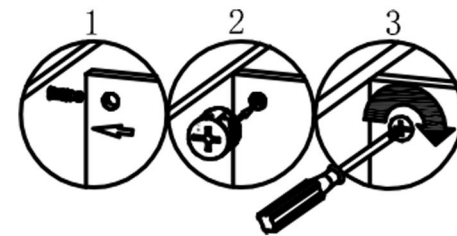
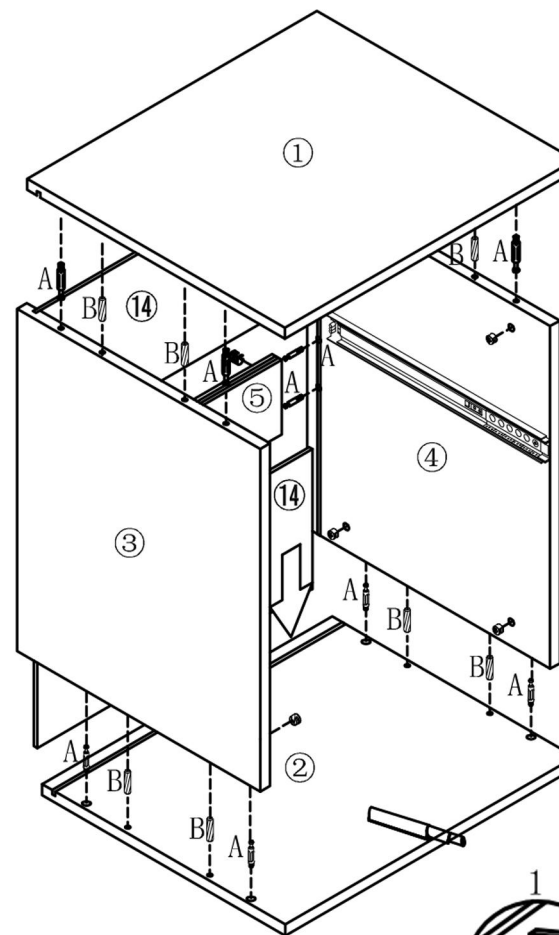
3

Screw cam bolts into panel(6&7,8&9), attach and locked with cam as below,



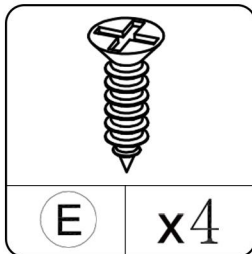
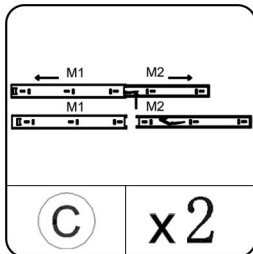
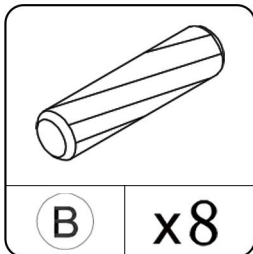
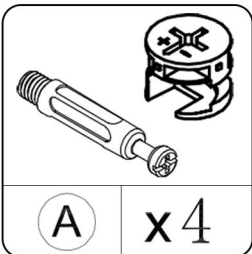
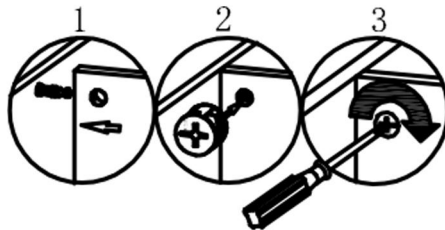
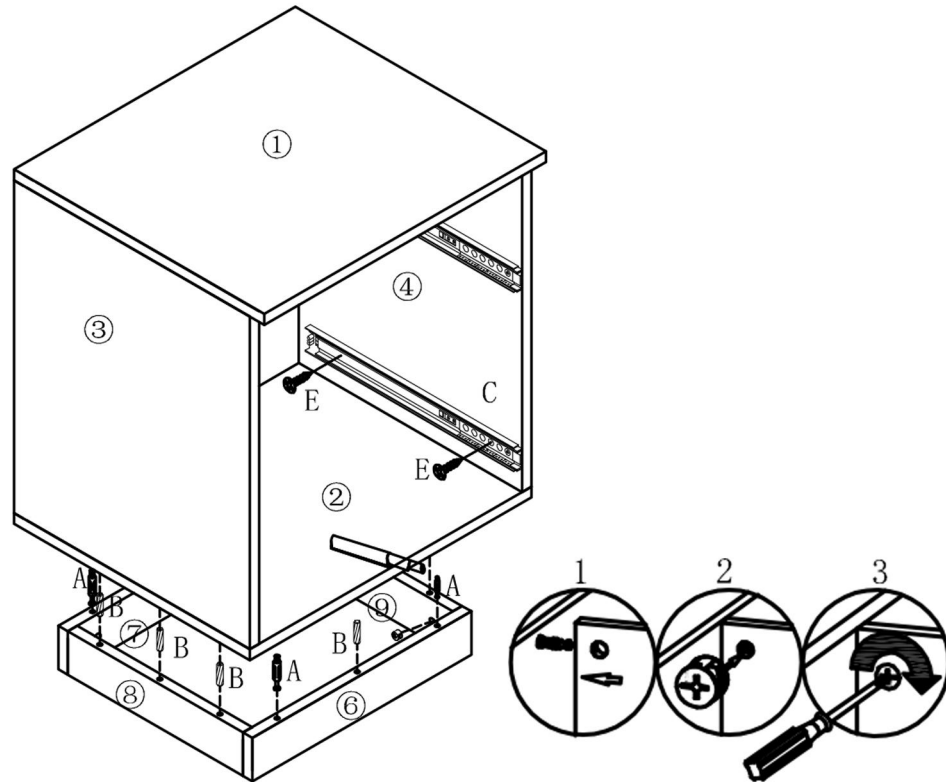
4

Attach panel(3&4) with panel(5) and locked with cam insert back panel(14&14) as below,  
Attach panel(1) and locked with cam as below,  
Attach panel(2) and locked with cam as below,



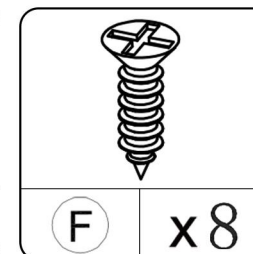
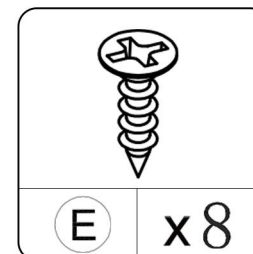
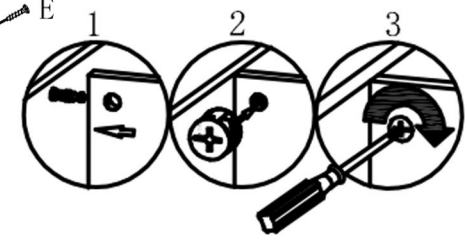
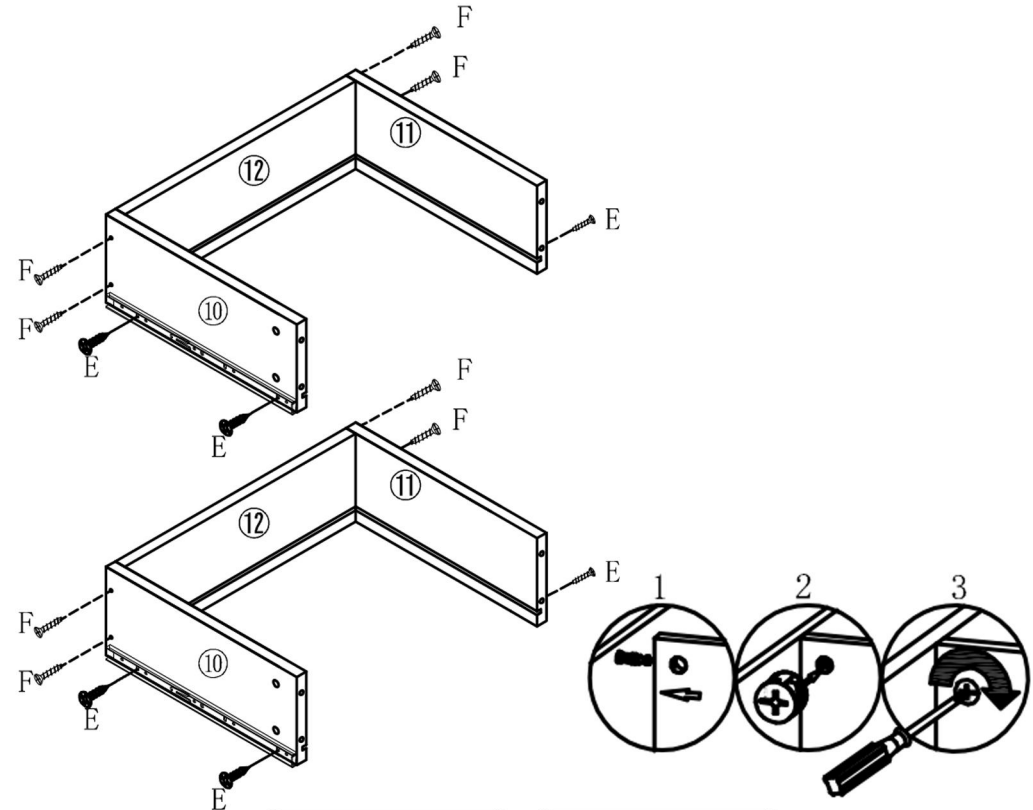
5

Screw cam bolts and insert wood dowels into panel(2)  
 Attach base panel(6&7&8&9) to panel(2) and locked  
 with cam as below



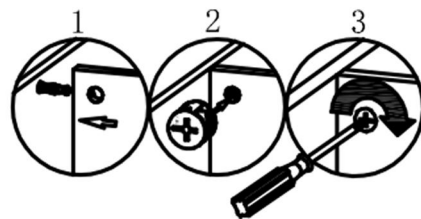
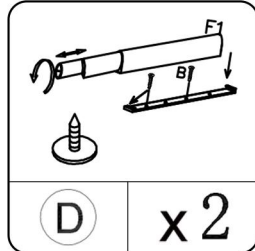
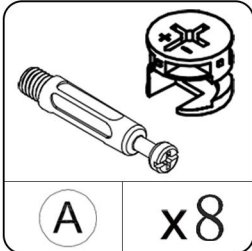
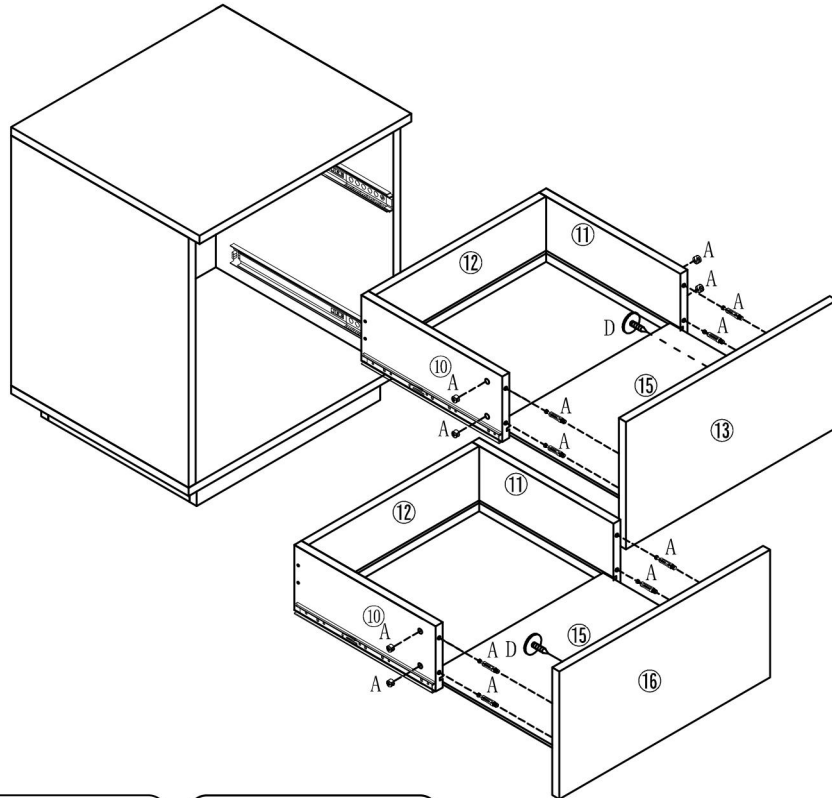
6

Attach panel(11&12, 10&12) with screw(F) as below  
 Attach rails (C) to panel (10&11) with screw(E) as below



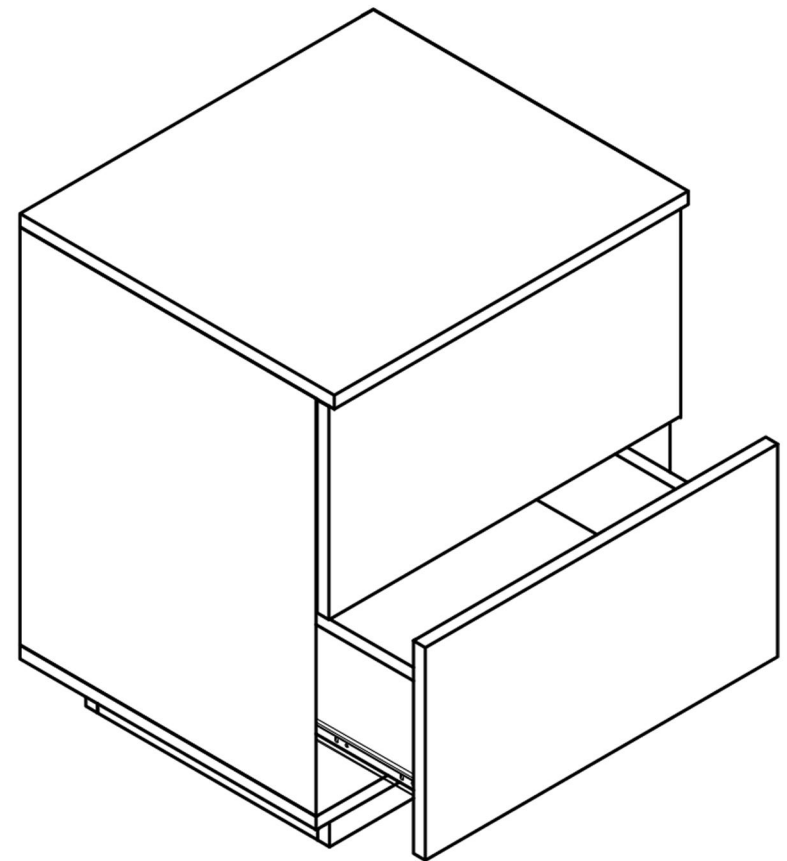
7

Screw cam bolts and Cap(D) into panel (13&15)  
 Insert panel(15) into drawer as below  
 Attach panel(13&16) and locked with cam as below



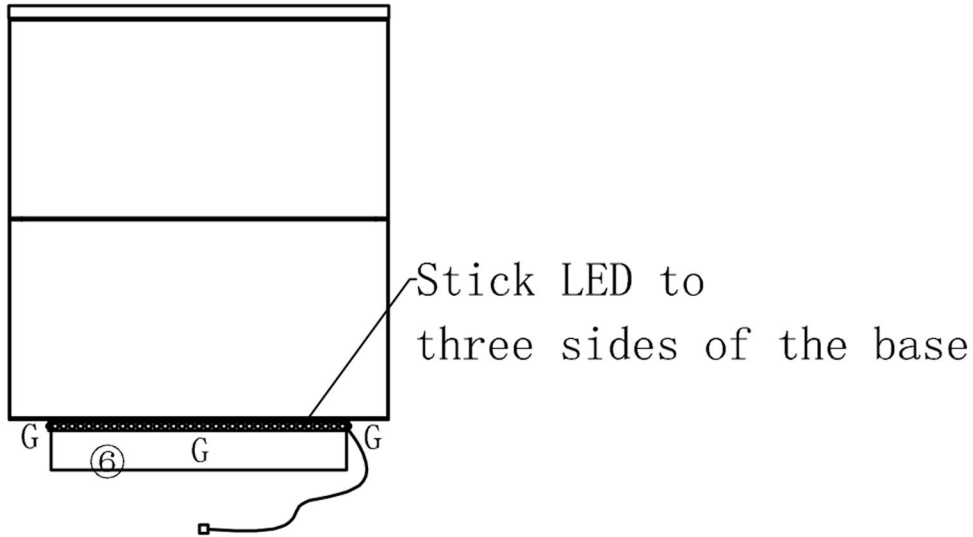
8

Put drawers into carcass as below

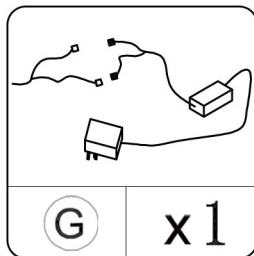


9

Stick LED band to three sides of the base as below



Front View



10

Connected pin of LED and power adapter to the RGB control box. Remove the battery protection pad from remote controller. Align remote controller to the RGB control box to adjust color mode. Specifications of battery: cr2025 3V.

