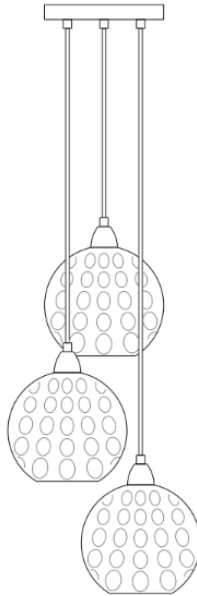


Ceiling Light

Installation Guide



UK
CA

CE



EN Indoor use only.

IMPORTANT: Installation must comply with current IEE Wiring Regulations and Building Regulations. Installation **must be** carried out by a qualified electrician.



SAFETY DISCLAIMER

Installation must be carried out by a qualified electrician

1. Please keep for future reference.
2. Product is manufactured under licence.
3. For indoor use only.
4. This is a Class I product and must be earthed.
5. Bulb is not included.
6. Do not exceed the maximum bulb wattage shown on the product label. For lighting using replaceable LED and driver components, use original replacement components only.
7. Safety & Care: Always switch off the power supply before changing lightbulbs or cleaning. Allow bulbs to cool before handling.
8. If attaching product or components to a surface, ensure the area is free of any hidden wires, water or gas pipes. Do not install on newly plastered or painted surfaces, this may affect the finish.
9. To prevent risk of electric shock, switch off at the mains supply before installing or maintaining this product. If you are in any doubt, please contact a competent person.
10. Clean with a soft dry cloth only.
11. Caution: not suitable for use in humid environments.
12. Keep away from sources of heat and moisture.
13. **IMPORTANT SAFETY INSTRUCTIONS** Regularly check the cables, transformer (if relevant) and all other parts for damage. If any part is damaged the product must not be used.



SAFETY DISCLAIMER

14. For your safety, this product must be installed in accordance with local Building Regulations.
15. The fittings supplied are suitable for plaster ceilings and timber joists/solid masonry walls. Different surfaces may require alternative screws and plugs that must be purchased separately.
16. CAUTION: This fitting has a total weight of 3.1 kg. We recommend professional installation. Ensure the light fitting is securely attached to a suitable surface using appropriate fastenings, and consult a professional if in any doubt.
17. IMPORTANT: The fixing point(s) and fixings must be capable of supporting the full weight of the light fitting. Ensure screws are installed into joists or suitable solid building structure to at least 25mm depth.
18. IMPORTANT! Always shut off power to the circuit before starting installation work. Electrical installation may only be carried out by an authorised electrical contractor.
19. Connect the switched live conductor of the house wiring (normally brown or red) to the live terminal or wire which is marked "L" or "Live" and/or coloured brown. Connect the neutral conductor of the house wiring to the neutral terminal or wire which is marked "N" or "Neutral" and/or coloured blue.



SAFETY DISCLAIMER

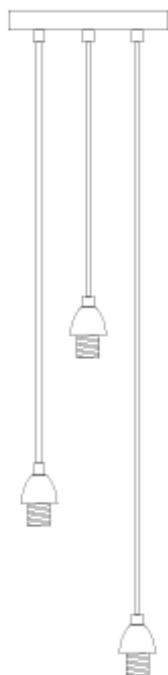
20. Connect the earth conductor of the house wiring (normally bare or with green/yellow sleeving) to the earth terminal of the fitting marked "E", "Earth" and/or coloured green/yellow.
21. Double check all connections are secure and no loose strands of wire are left out of the connector.
22. Ensure the product is fully assembled as illustrated and all fixings are fully tightened before use. Check fixings regularly to ensure they remain tight.
23. The crossed-out wheeled bin symbol indicates that this item should not be disposed of as household waste; it should be recycled in accordance with local environmental regulations.



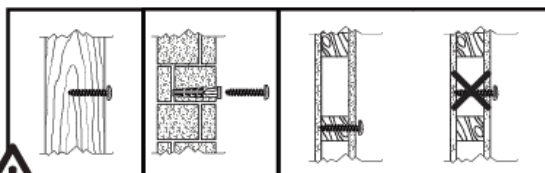
H1 x 2 (M4 x 30mm)



E14 3 x Max 7W LED
Small Edison Screw Cap

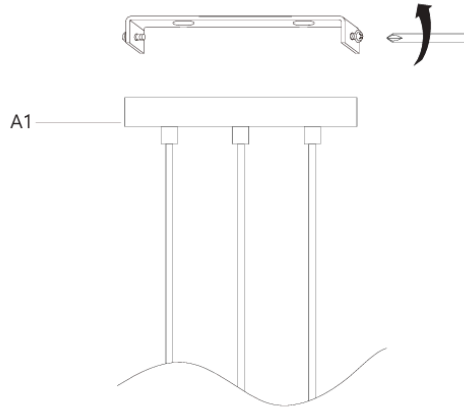


A1*1

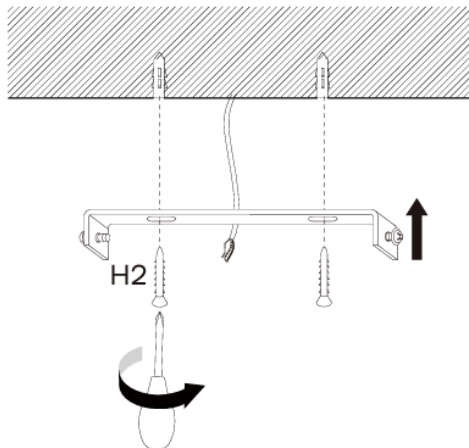


A2*3

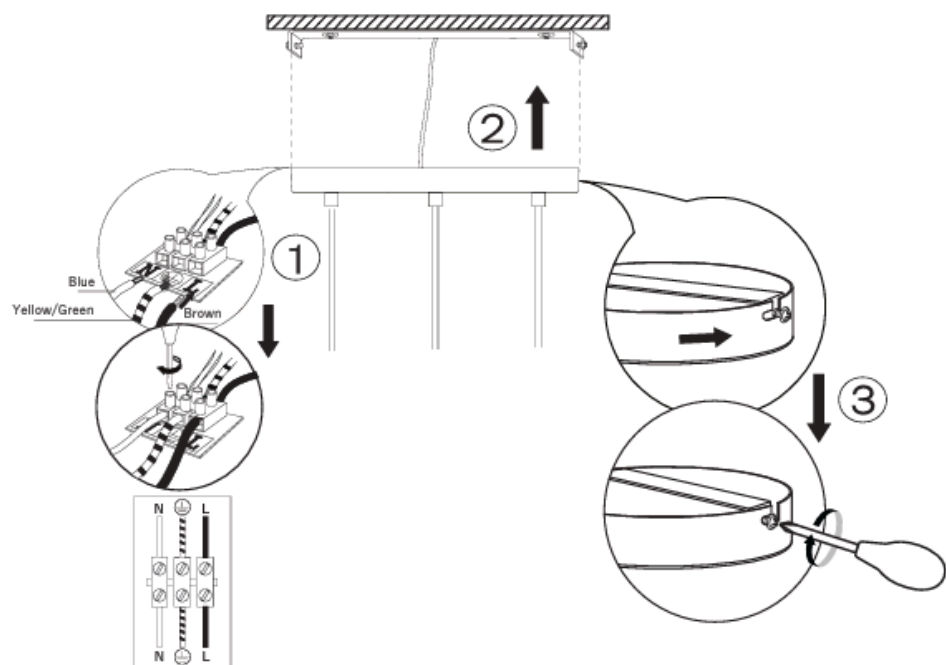
1



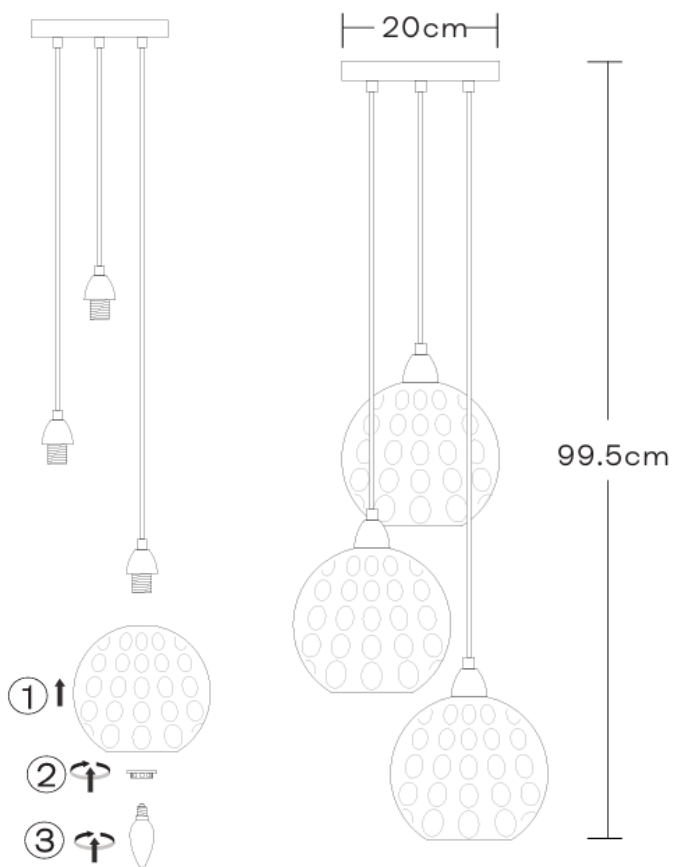
2



3



4



Installation Steps

TURN OFF POWER SUPPLY

STEP 1

Remove the Mounting Bracket

Unscrew the two side screws to detach the mounting bracket from the ceiling cup.

STEP 2

Install the Mounting Bracket

Use the bracket as a template to mark the fixing points on the ceiling. Ensure no pipes or wires are directly behind where you intend to drill.

Drill holes into a joist or other suitable structural surface (not just plaster), then secure the bracket using appropriate fixings for the material.

STEP 3

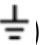
Ensure Power Supply Remains OFF

Match the wires from the ceiling to the fixture:

Home Wire -----Fixture

Blue/Black (N) → Neutral (N)

Red/Brown (L) → Live (L)

Green/Yellow (Earth) → Earth ()

Use the provided connectors to join them securely.

Tuck the wires neatly inside the ceiling plate.

Support the weight of the fitting while making the electrical connections (see Fig. 3).

STEP 4

Offer the fitting up to the mounting bracket and secure it using the screws.

STEP 5

Attach the Shade and Fit the Bulb

Secure the glass shade to the lamp holder using the plastic ring, ensuring it is fully tightened. Then fit the bulb, making sure the type and wattage match the specifications indicated on the fitting. Do not exceed the recommended wattage.





our 1 year GUARANTEE

Our products come with a 1 year guarantee, giving you extra peace of mind when shopping with us

What the guarantee covers



PRE-INSERTED FIXINGS



FAULTY JOINTS



EXTERNAL FIXING FAULTS



STRUCTURAL INTEGRITY
