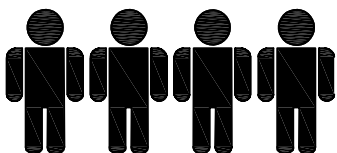
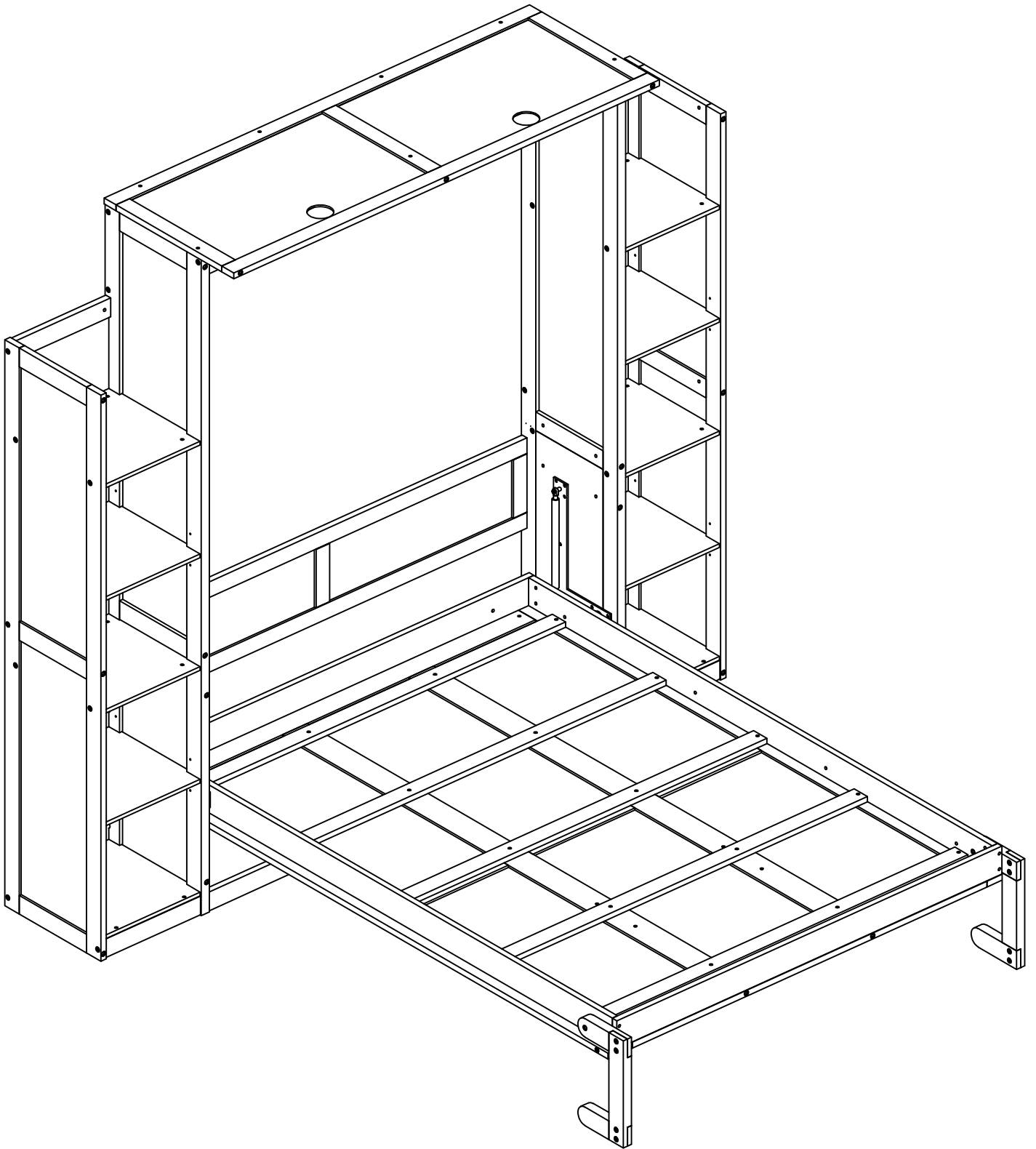


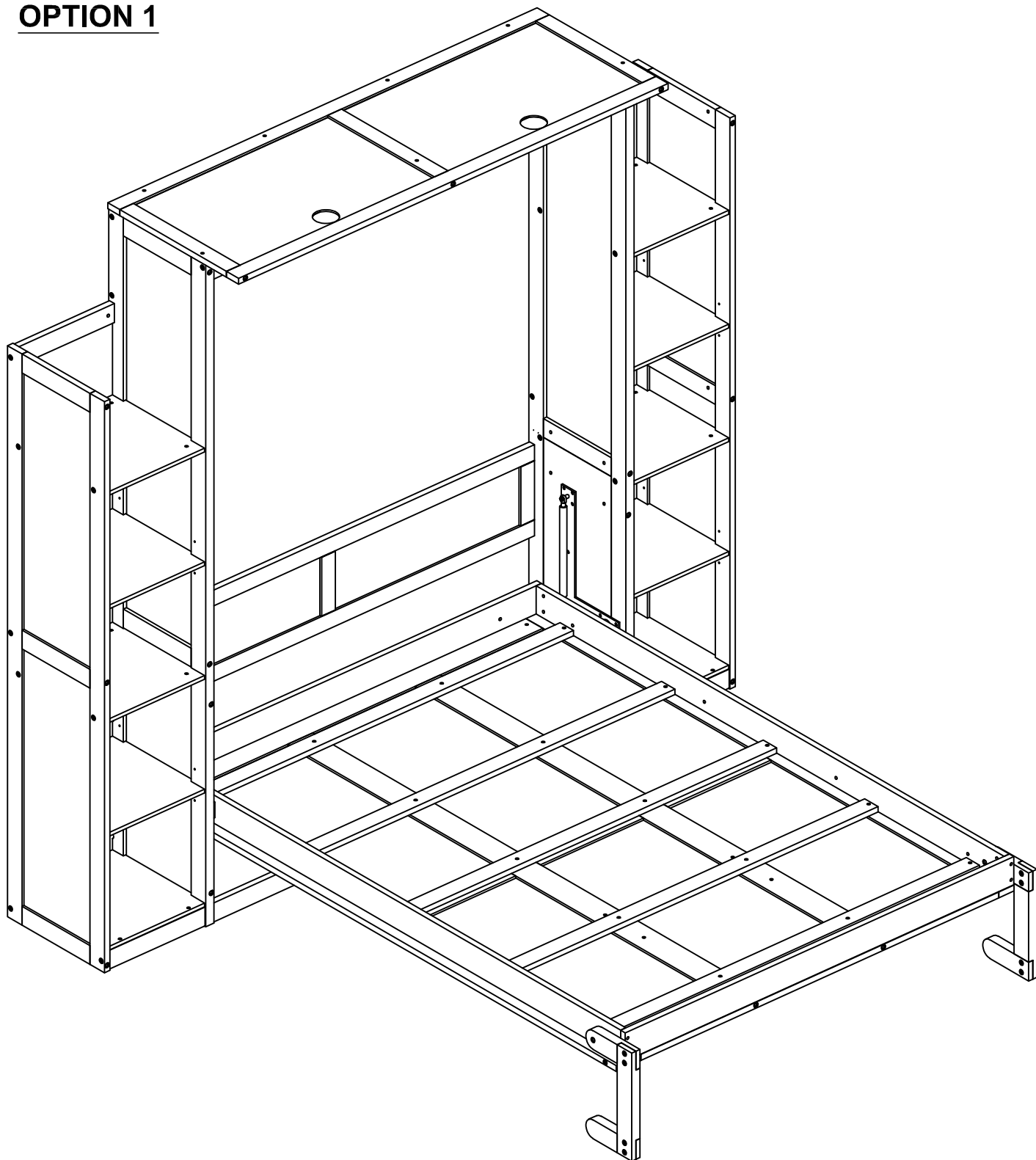
ASSEMBLY INSTRUCTION

SKU CODE:

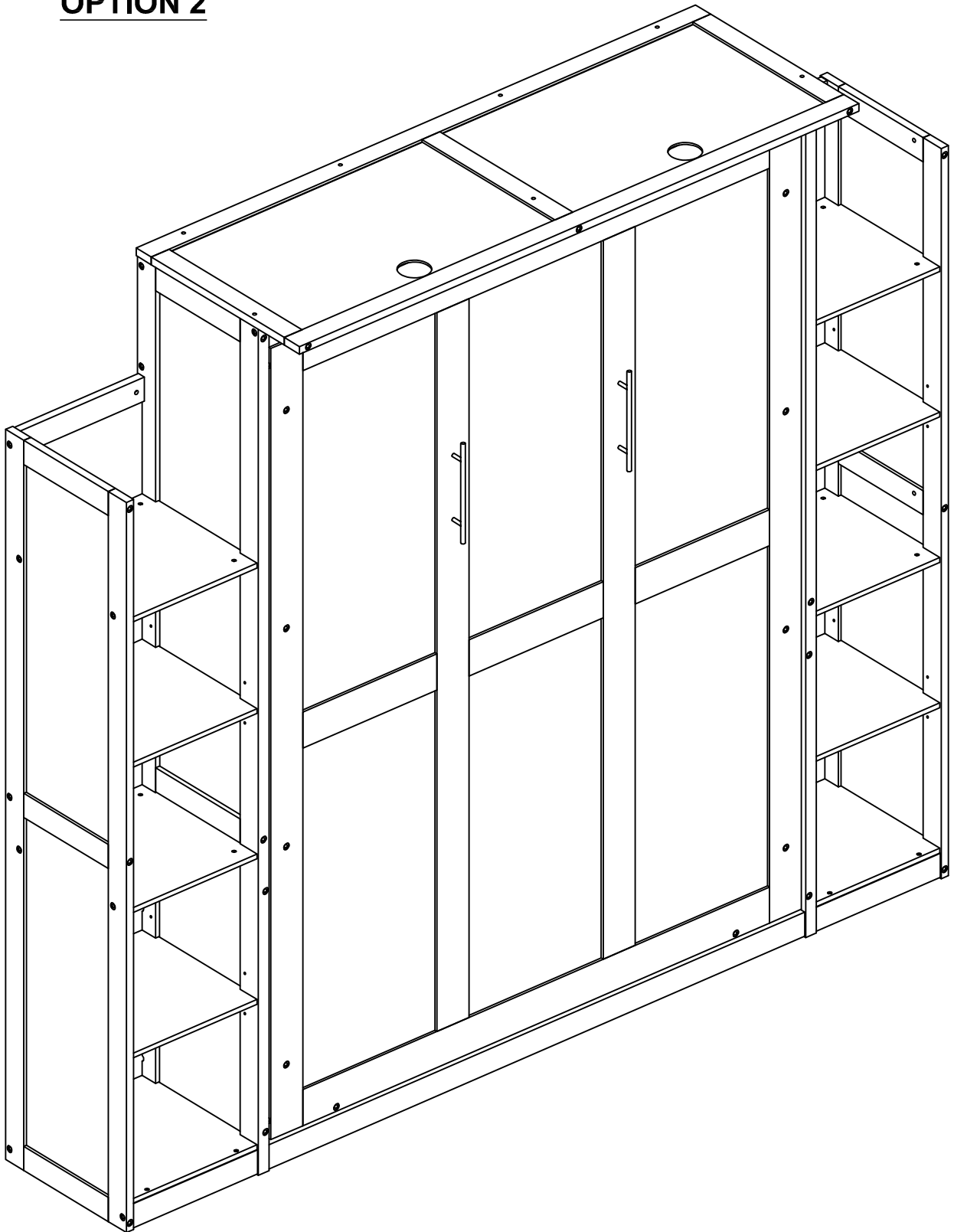


Four people are required to assemble and move this model.

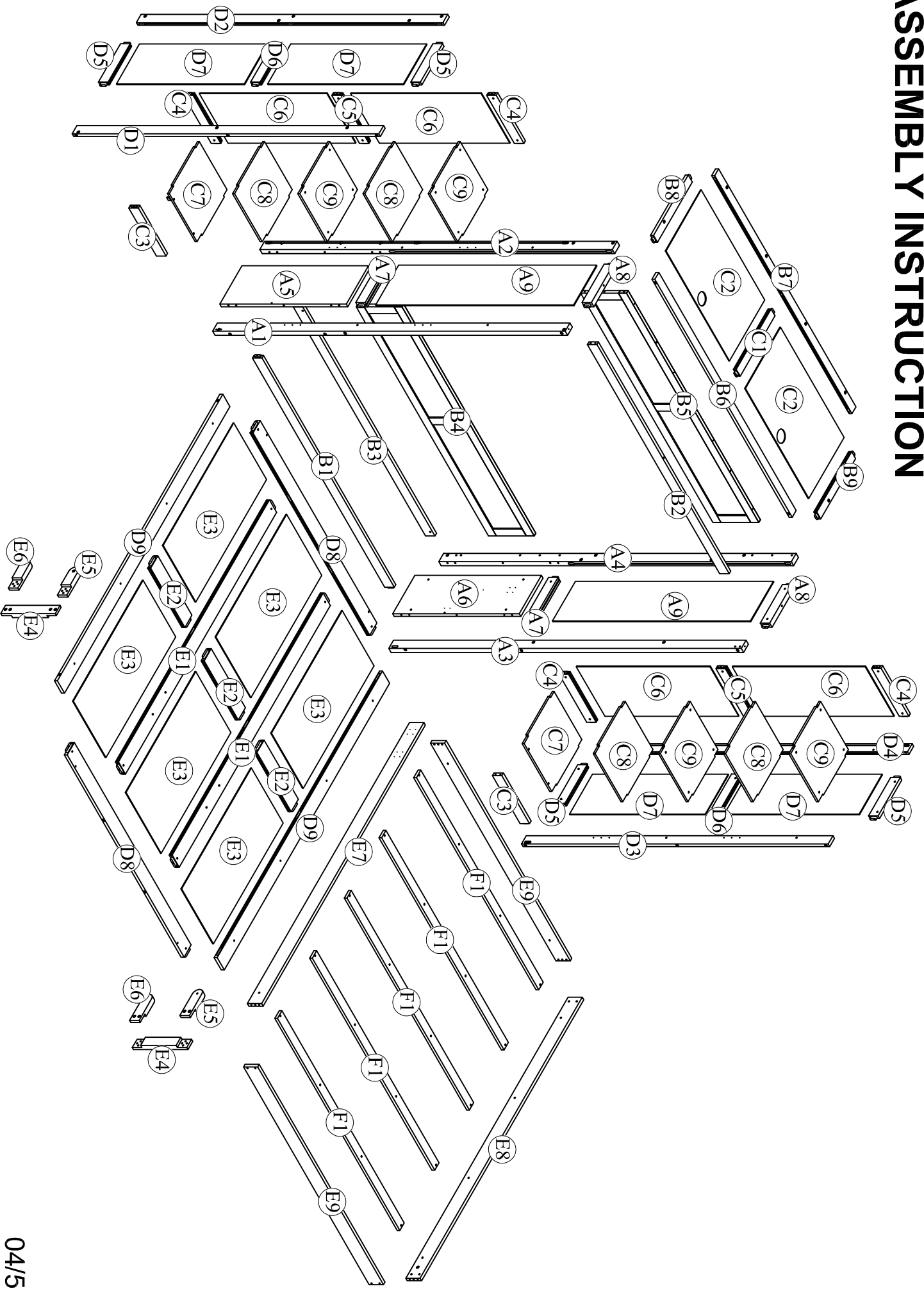
OPTION 1



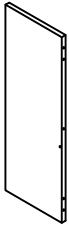

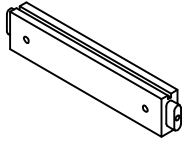
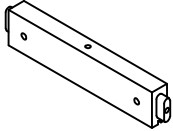
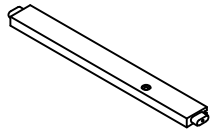
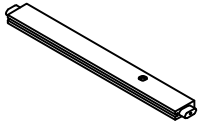
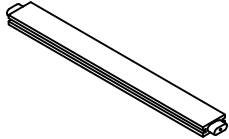
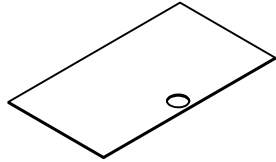
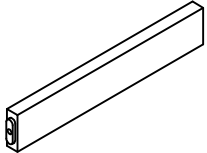
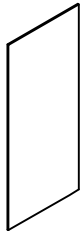
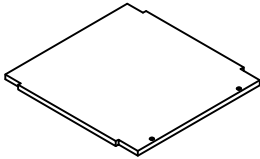
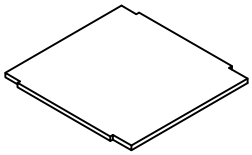
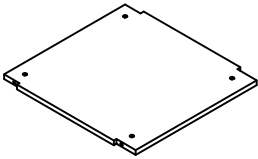
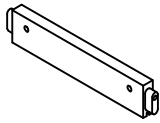
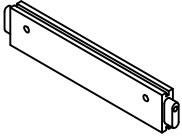
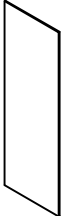
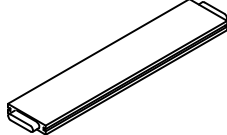
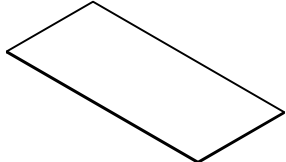
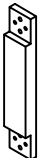
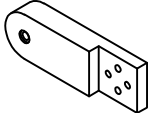
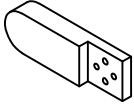
OPTION 2



ASSEMBLY INSTRUCTION



Part List & Hardware List

<p>A5</p>  <p>Panel-1pc</p>	<p>A6</p>  <p>Panel-1pc</p>	<p>A7</p>  <p>WoodBar-2pcs</p>
<p>A8</p>  <p>WoodBar-2pcs</p>	<p>B8</p>  <p>WoodBar-1pc</p>	<p>B9</p>  <p>WoodBar-1pc</p>
<p>C1</p>  <p>WoodBar-1pc</p>	<p>C2</p>  <p>Panel-2pcs</p>	<p>C3</p>  <p>WoodBar-2pcs</p>
<p>C6</p>  <p>Panel-4pcs</p>	<p>C7</p>  <p>Panel-2pcs</p>	<p>C8</p>  <p>Panel-4pcs</p>
<p>C9</p>  <p>Panel-4pcs</p>	<p>D5</p>  <p>WoodBar-4pcs</p>	<p>D6</p>  <p>WoodBar-2pcs</p>
<p>D7</p>  <p>Panel-4pcs</p>	<p>E2</p>  <p>WoodBar-3pcs</p>	<p>E3</p>  <p>Panel-6pcs</p>
<p>E4</p>  <p>WoodBar-2pcs</p>	<p>E5</p>  <p>WoodBar-2pcs</p>	<p>E6</p>  <p>WoodBar-2pcs</p>

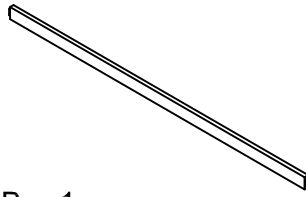
Part List

A9



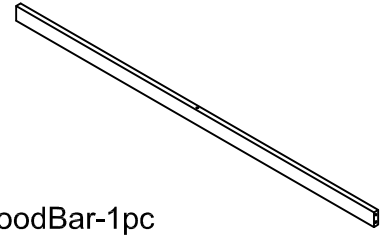
Panel-2pcs

B1



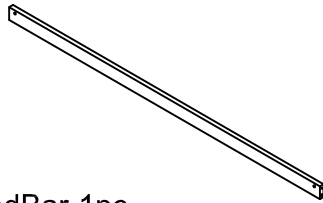
WoodBar-1pc

B2



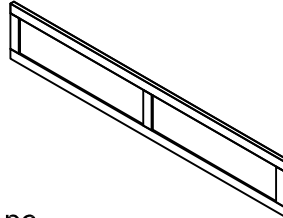
WoodBar-1pc

B3



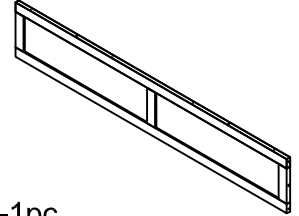
WoodBar-1pc

B4



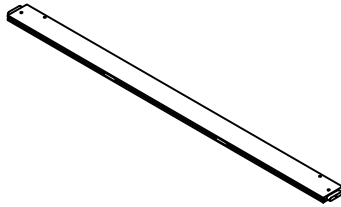
Panel-1pc

B5



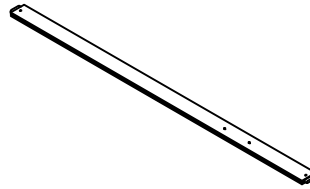
Panel-1pc

D8



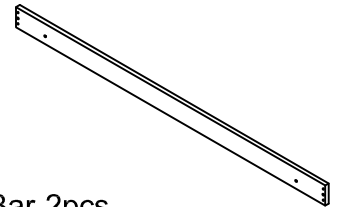
WoodBar-2pcs

E1



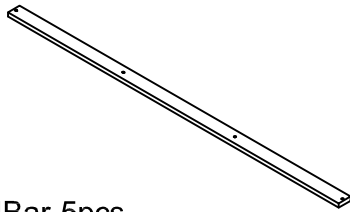
WoodBar-2pcs

E9



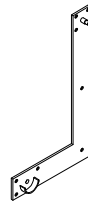
WoodBar-2pcs

F1



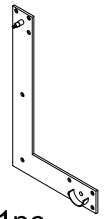
WoodBar-5pcs

F2



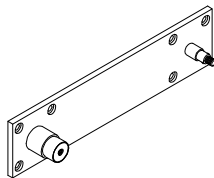
Metal corner link-1pc

F3



Metal corner link-1pc

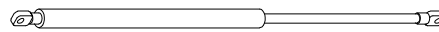
F4



Metal corner link-2pcs

F5

1000N



Piston Steam-2pcs

Part List

A1



Leg-1pc

A2



Leg-1pc

A3



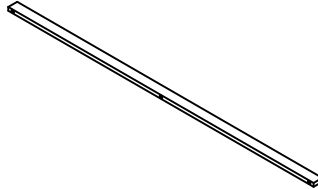
Leg-1pc

A4



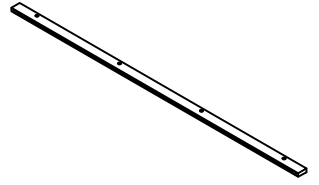
Leg-1pc

B6



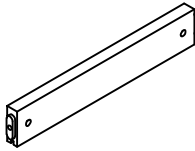
WoodBar-1pc

B7



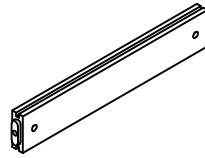
WoodBar-1pc

C4



WoodBar-4pcs

C5



WoodBar-2pcs

D1



Leg-1pc

D2



Leg-1pc

D3



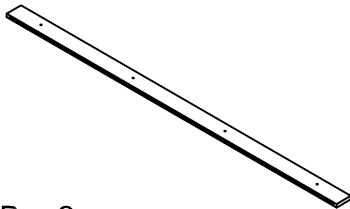
Leg-1pc

D4



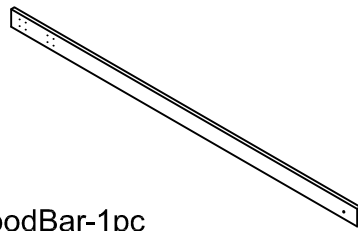
Leg-1pc

D9



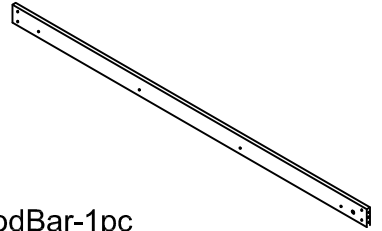
WoodBar-2pcs

E7



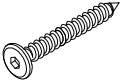

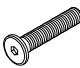
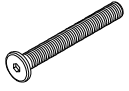
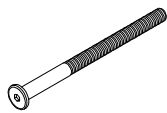
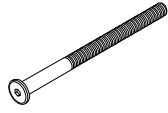
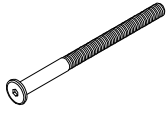
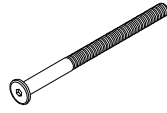
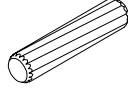
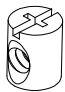
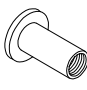
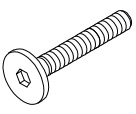
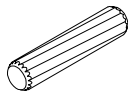
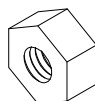
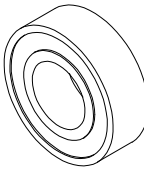
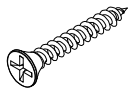
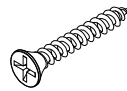
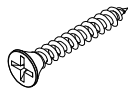
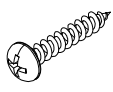
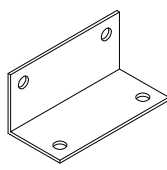
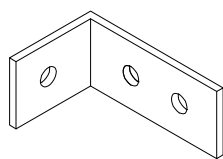
WoodBar-1pc

E8



WoodBar-1pc

Hardware List

<p>1</p>  <p>Screws 1/4" x40 7pcs</p>	<p>2</p>  <p>Screws 1/4" x60 6pcs</p>	<p>3</p>  <p>Ø1/4" x 20 mm Hex-Head bolts 8pcs</p>
<p>4</p>  <p>Ø1/4" x 40 mm Hex-Head bolts 2pcs</p>	<p>5</p>  <p>Ø1/4" x 60 mm Hex-Head bolts 20pcs</p>	<p>6</p>  <p>Ø1/4" x 70 mm Hex-Head bolts 44pcs</p>
<p>7</p>  <p>Ø1/4" x 100 mm Hex-Head bolts 28pcs</p>	<p>8</p>  <p>Ø1/4" x 120 mm Hex-Head bolts 8pcs</p>	<p>9</p>  <p>Ø8 x 30 mm Wood dowel 32pcs</p>
<p>10</p>  <p>Ø1/4" x 13 mm Horizontal-Hole bolts 100pcs</p>	<p>11</p>  <p>Ø1/4" x 15 mm T-Nut 10pcs</p>	<p>12</p>  <p>Ø1/3" x 40 mm Hex-Head bolts 2pcs</p>
<p>13</p>  <p>Ø8 x 20 mm Wood dowel 8pcs</p>	<p>14</p>  <p>Nut 4pcs</p>	<p>15</p>  <p>Bearings 2pcs</p>
<p>16</p>  <p>M4 x 20 mm Wood Screws 36pcs</p>	<p>17</p>  <p>M4 x 30 mm Wood Screws 24pcs</p>	<p>18</p>  <p>M4 x 40 mm Wood Screws 4pcs</p>
<p>19</p>  <p>M4 x 15 mm Wood Screws 28pcs</p>	<p>20</p>  <p>Angle Metal 4pcs</p>	<p>21</p>  <p>Angle Metal 4pcs</p>

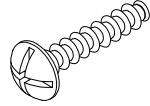
Hardware List

22



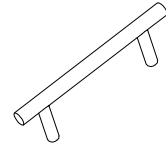
Ø20 / Ø6 x 2 mm
Washer 2pcs

23



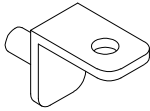
M4 x 25 mm
Wood Screws 4pcs

24



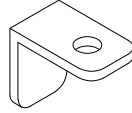
Handle 2pcs

25



Metal Patt 16pcs

26



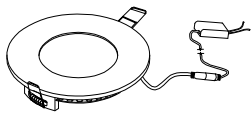
Metal Patt 2pcs

27



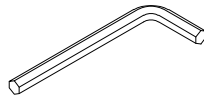
M3.5 x 12 mm
Wood Screws 16pcs

28

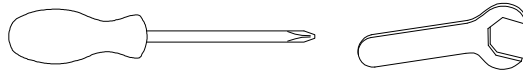


Led Light - 2pcs

29


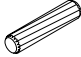



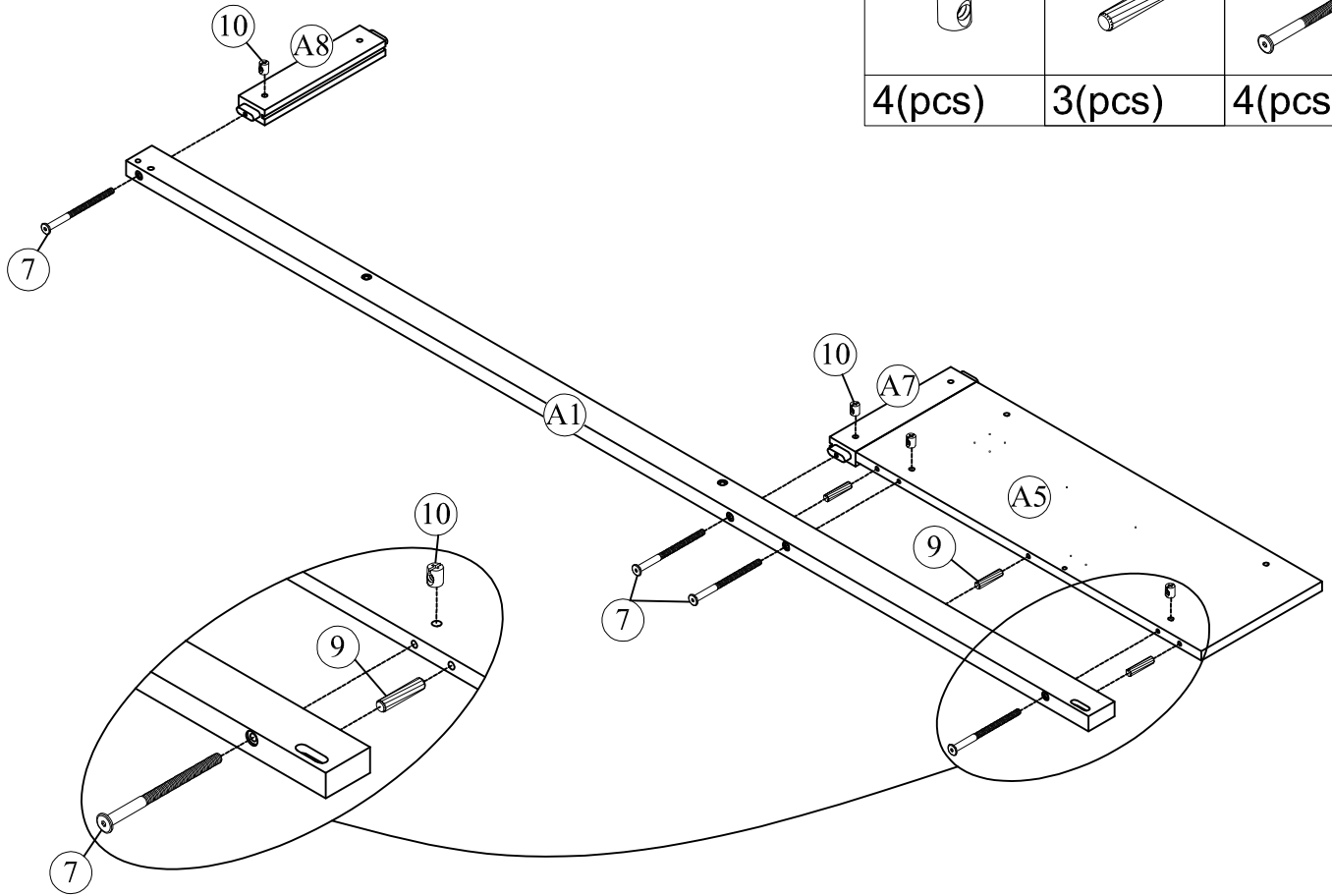
Allen Key 2pcs




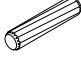

Assembly Tools Required (Not Included)

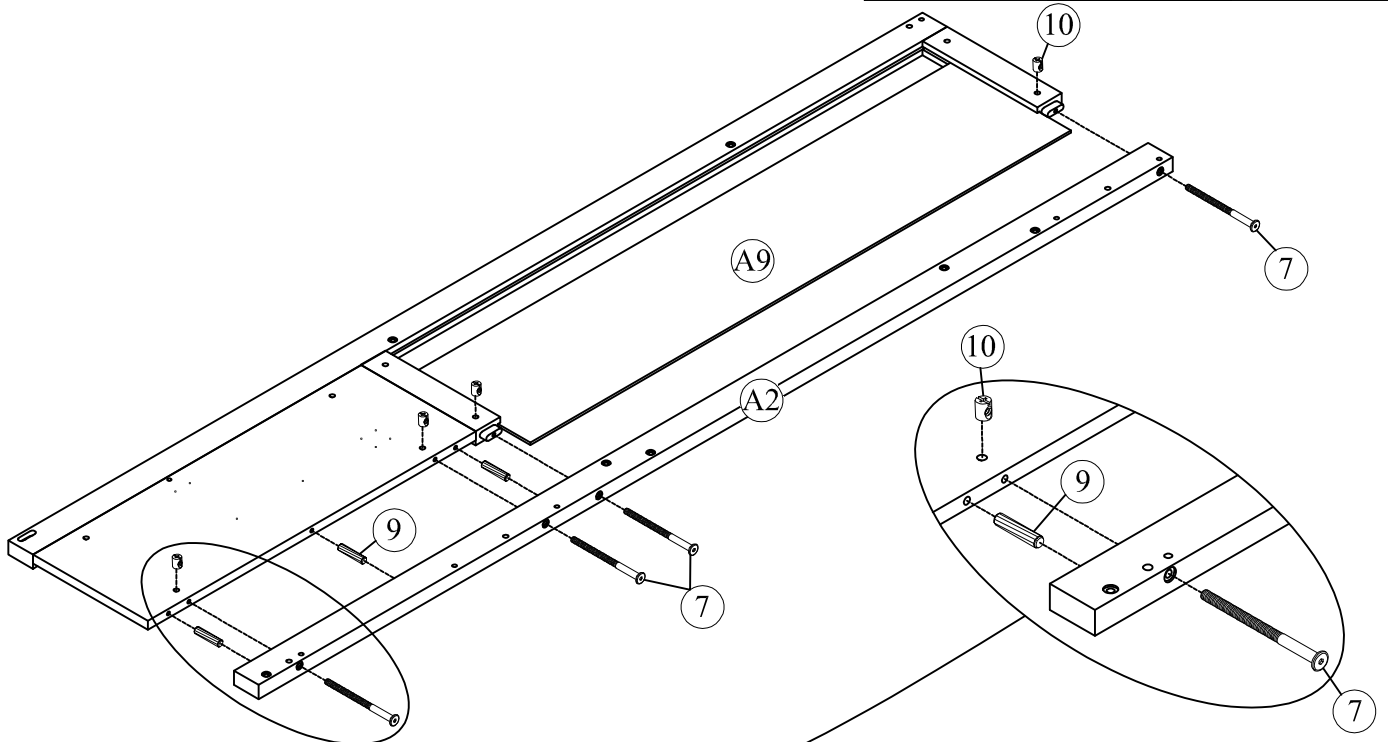
STEP1: Following below illustration.

10	9	7
		
4(pcs)	3(pcs)	4(pcs)


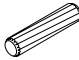



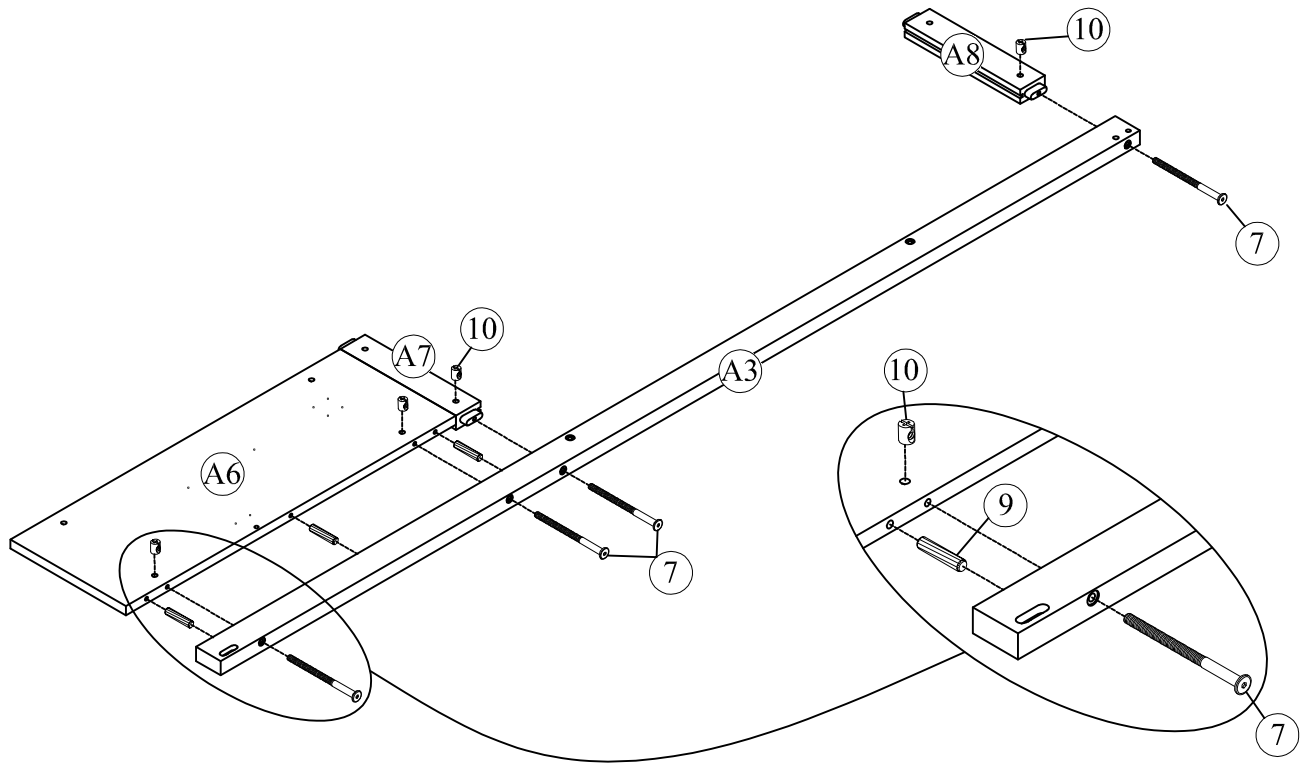
STEP2: Following below illustration.

10	9	7
		
4(pcs)	3(pcs)	4(pcs)


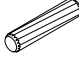



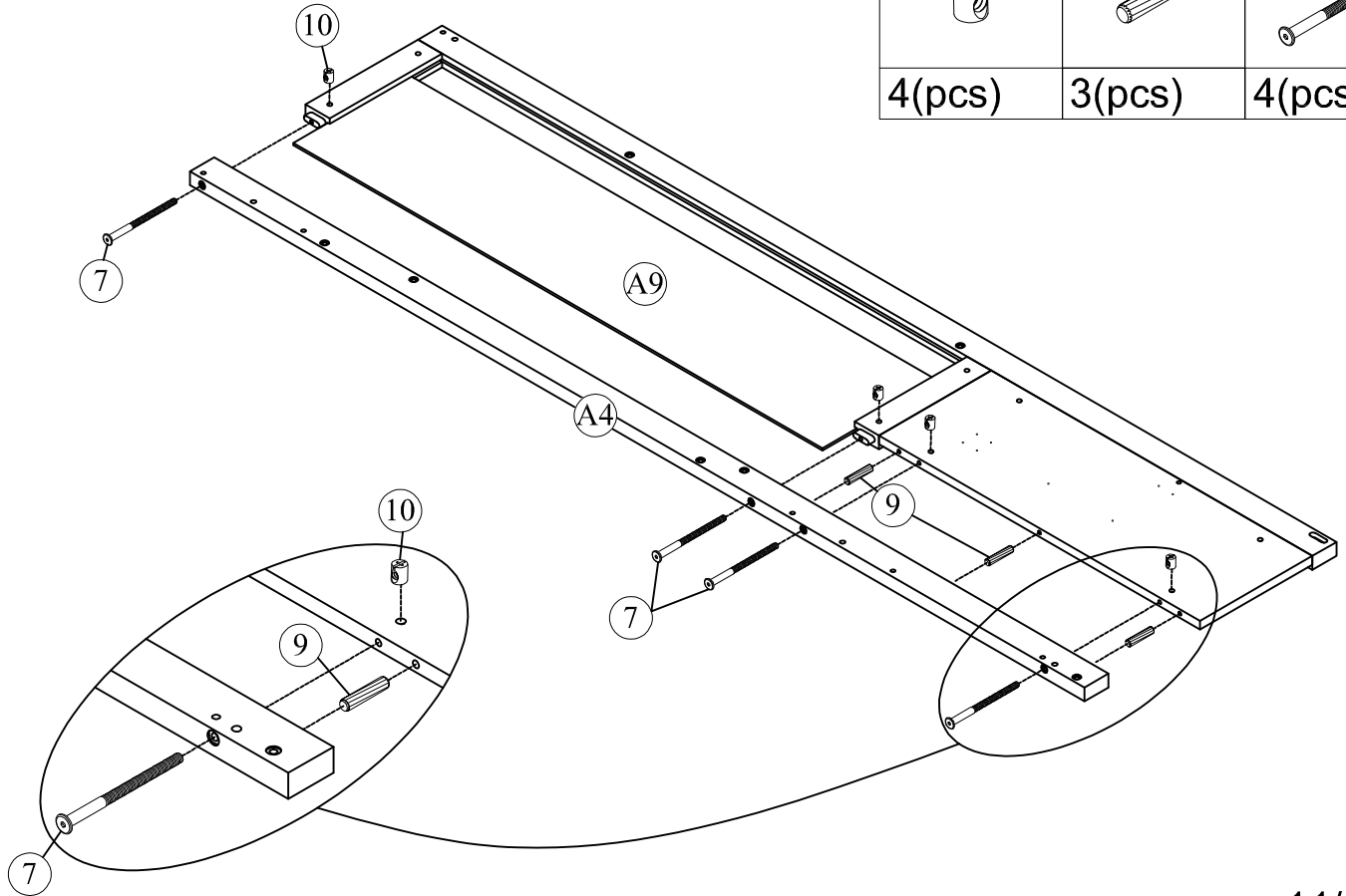
STEP3: Following below illustration.

10	9	7
		
4(pcs)	3(pcs)	4(pcs)


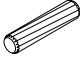



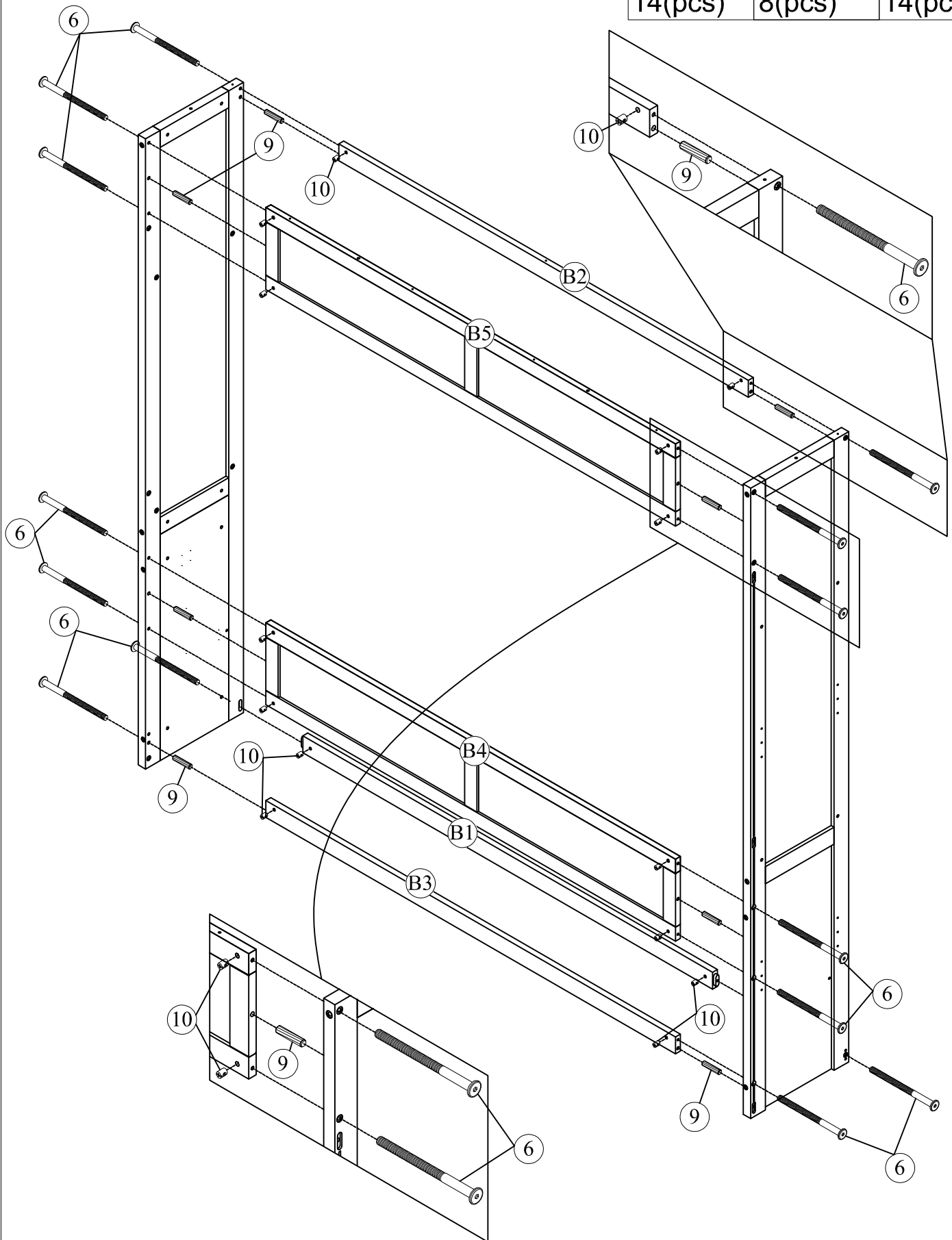
STEP4: Following below illustration.

10	9	7
		
4(pcs)	3(pcs)	4(pcs)



STEP5: Following below illustration.

10	9	6
		
14(pcs)	8(pcs)	14(pcs)

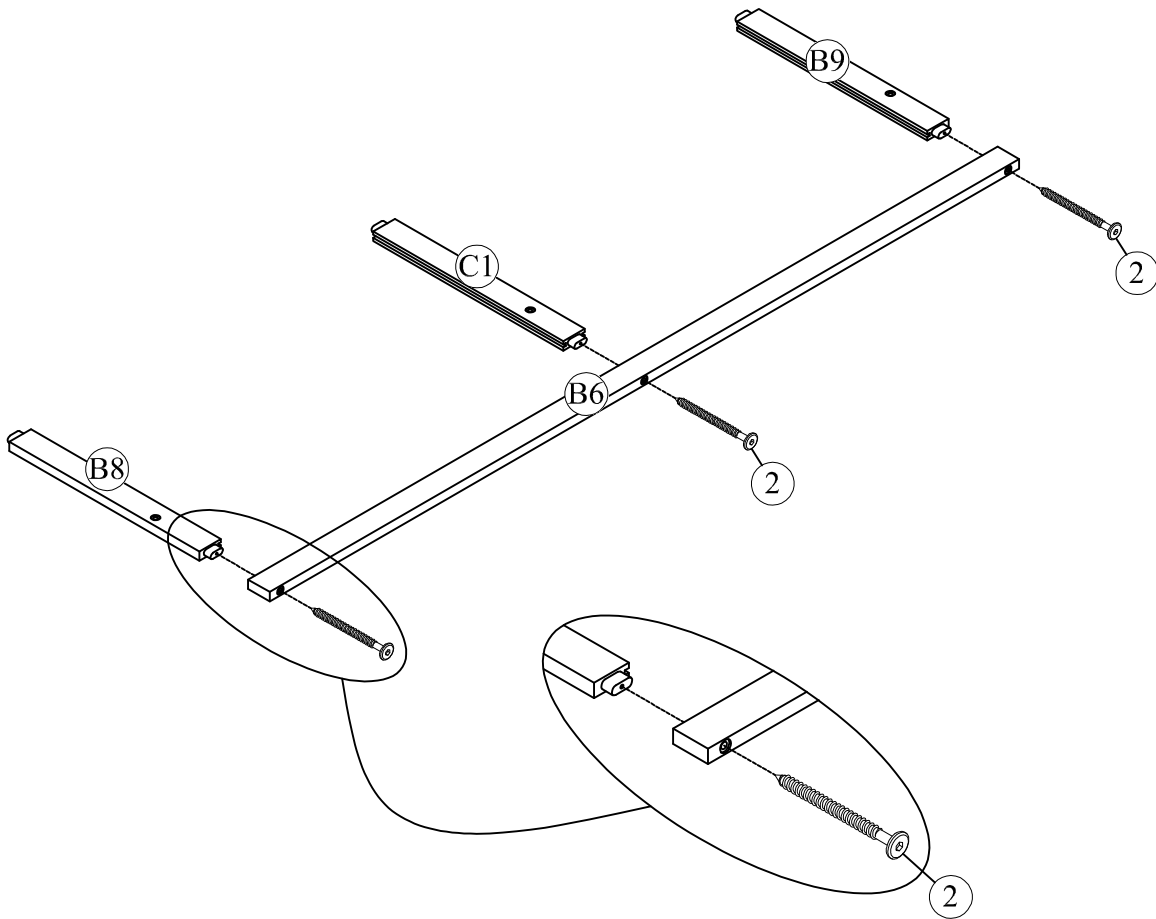


STEP6: Following below illustration.

2



3(pcs)

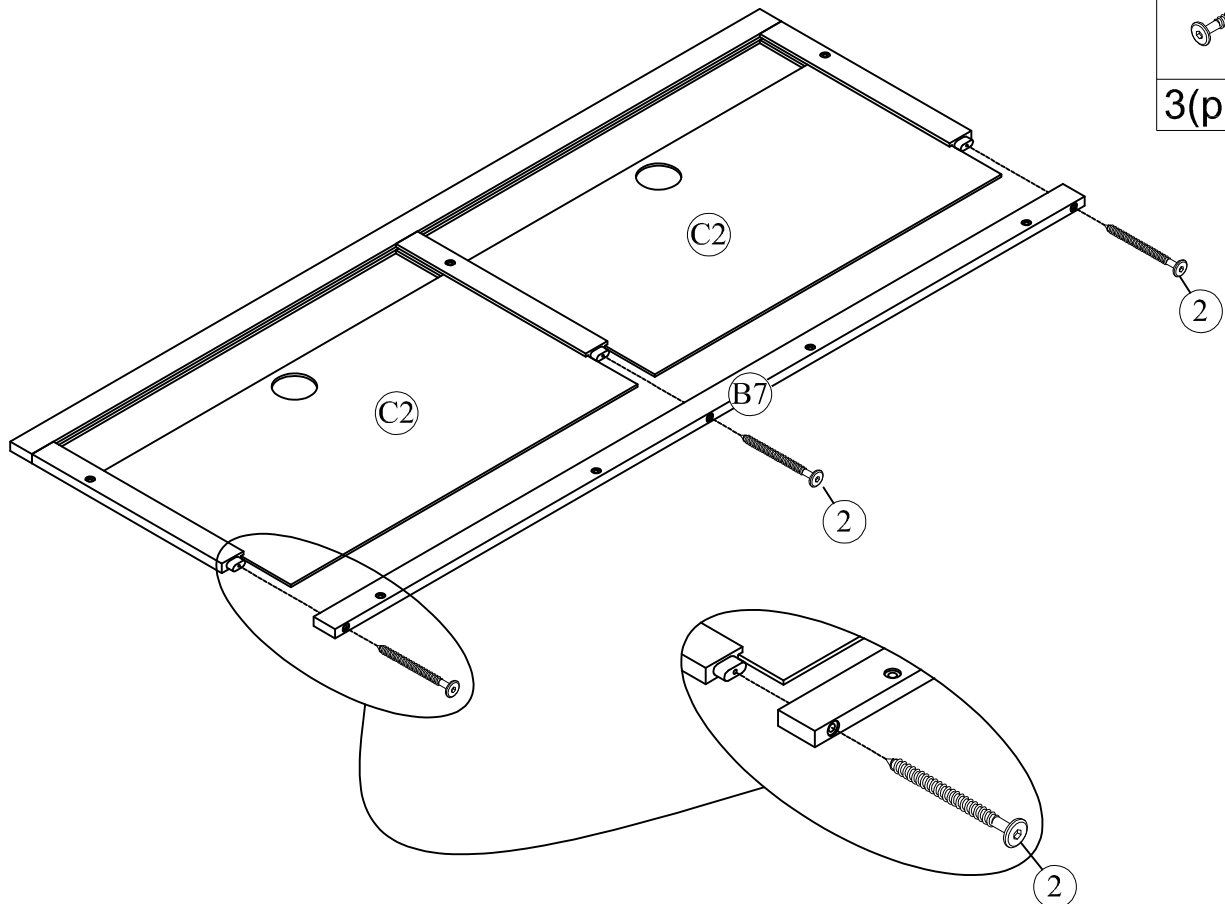


STEP7: Following below illustration.

2



3(pcs)

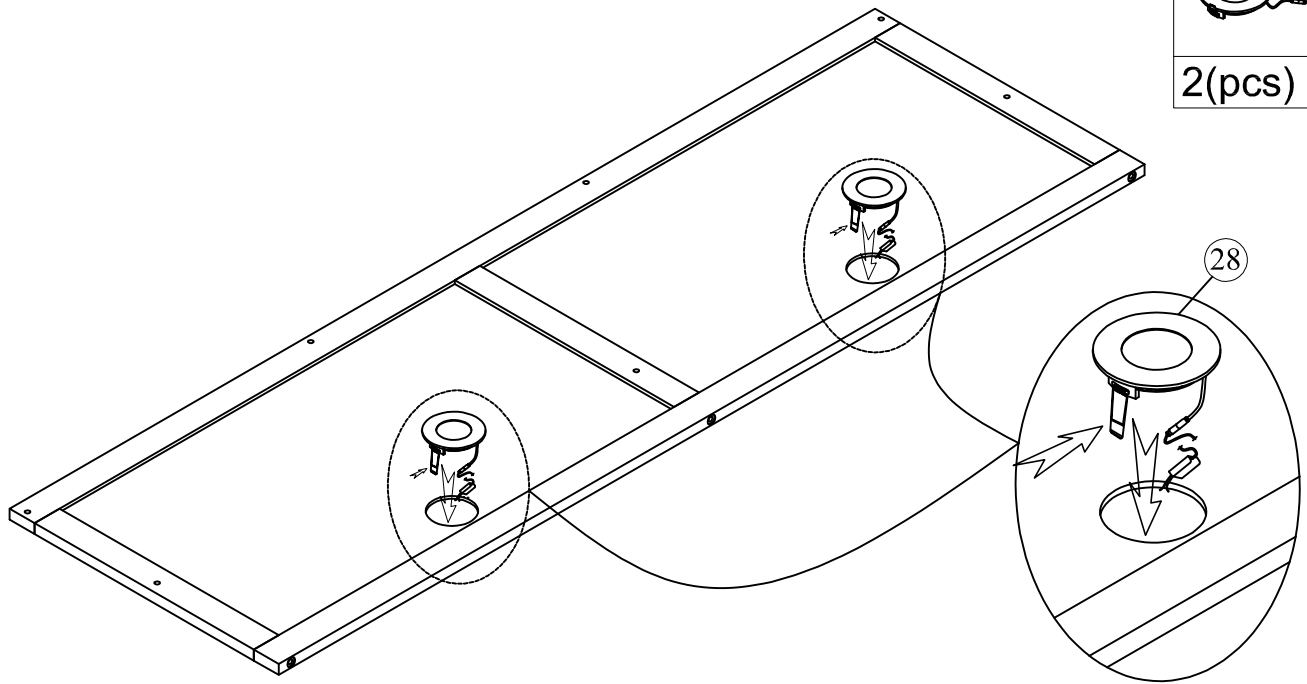


STEP8: Following below illustration.

28



2(pcs)



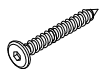
STEP9: Following below illustration.

9

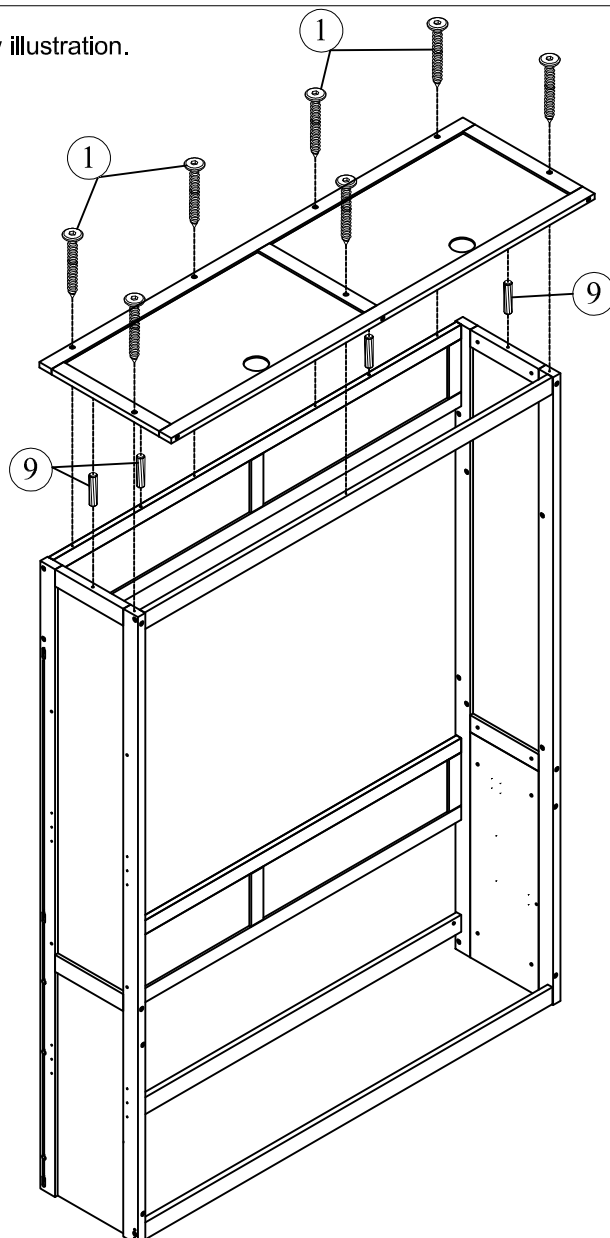


4(pcs)

1



7(pcs)

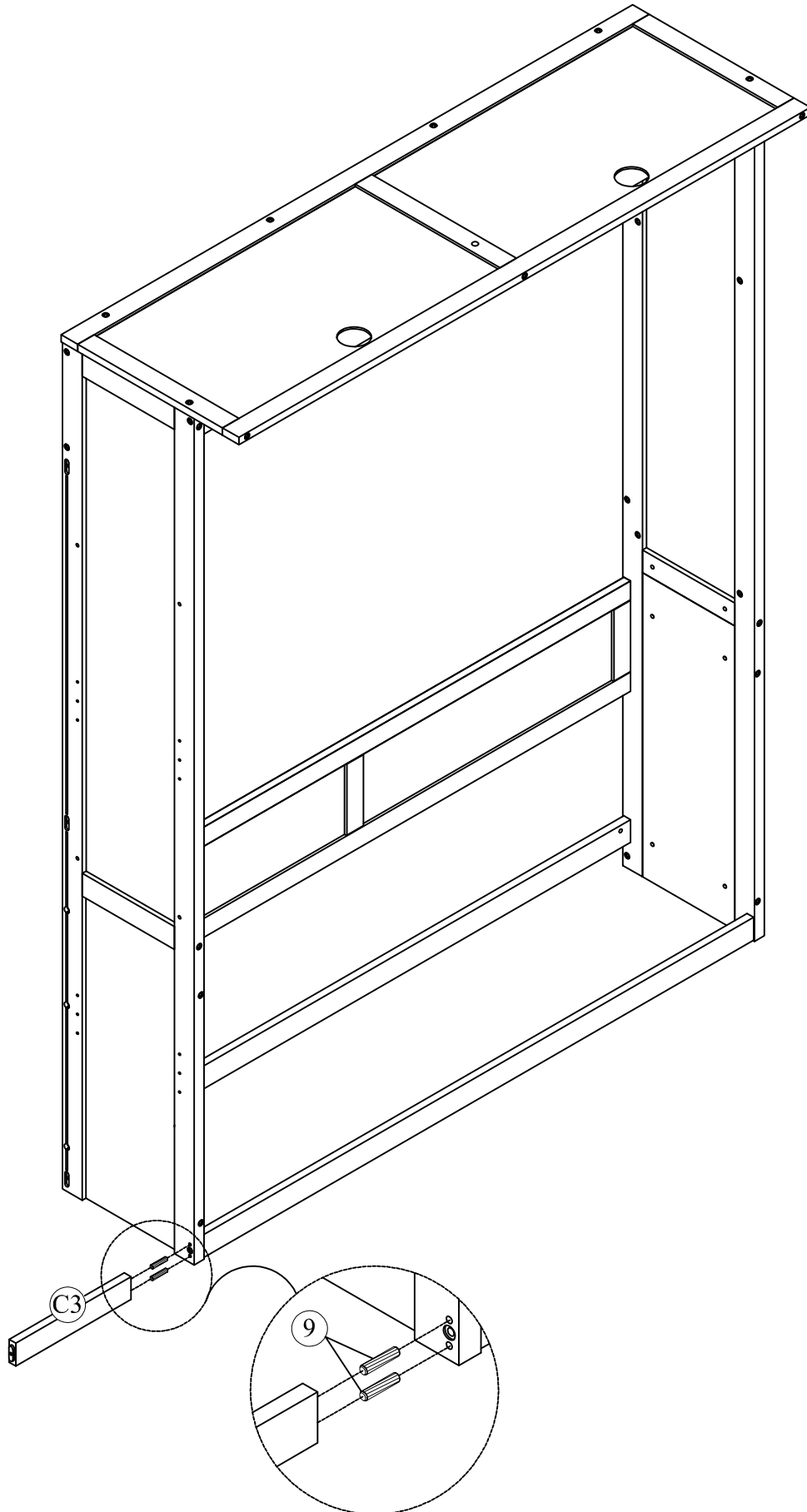


STEP10: Following below illustration.

9

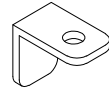


2(pcs)



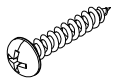
STEP11: Following below illustration.

26

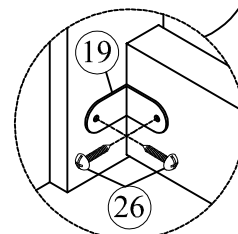
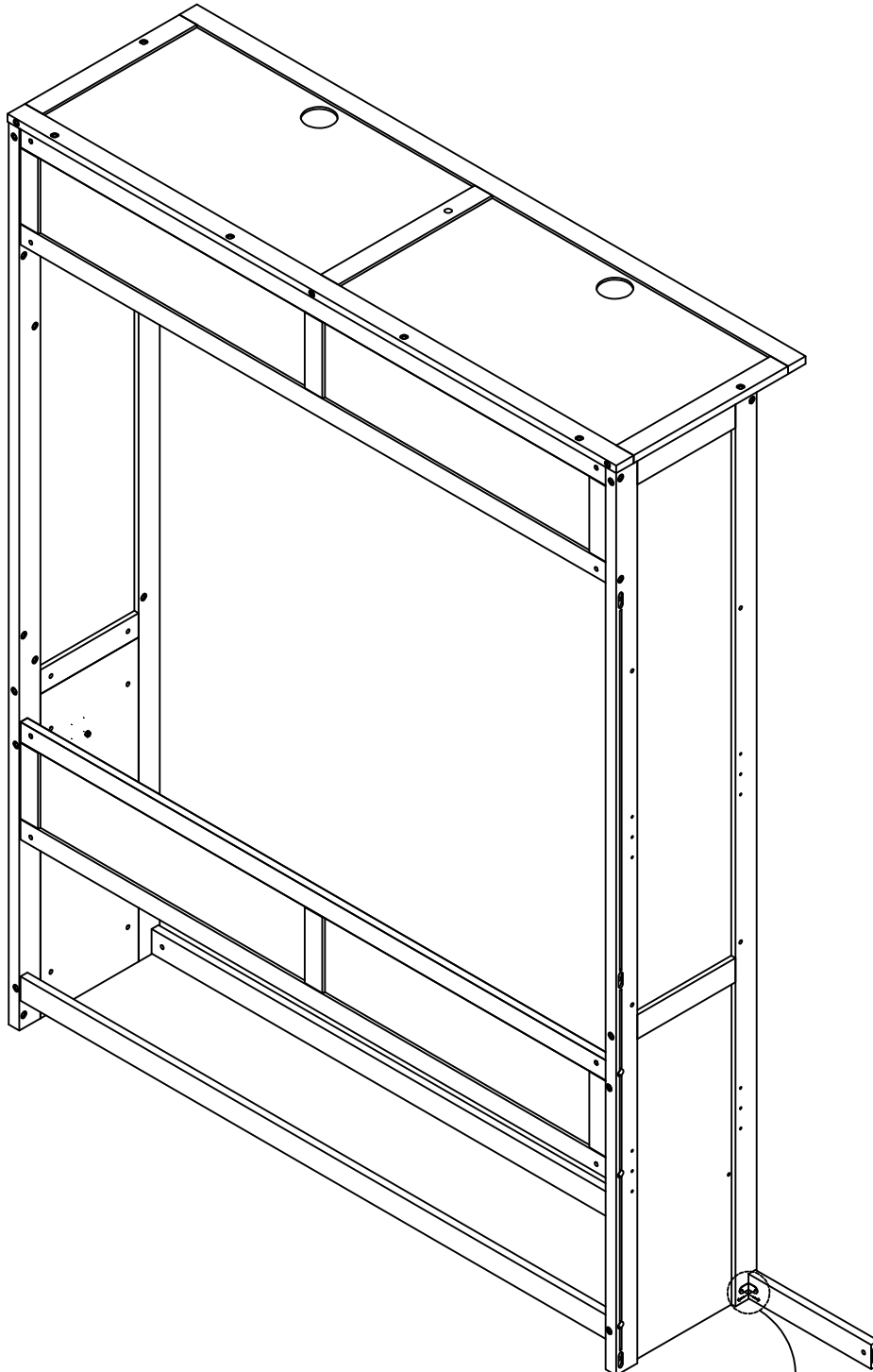


1(pc)



19

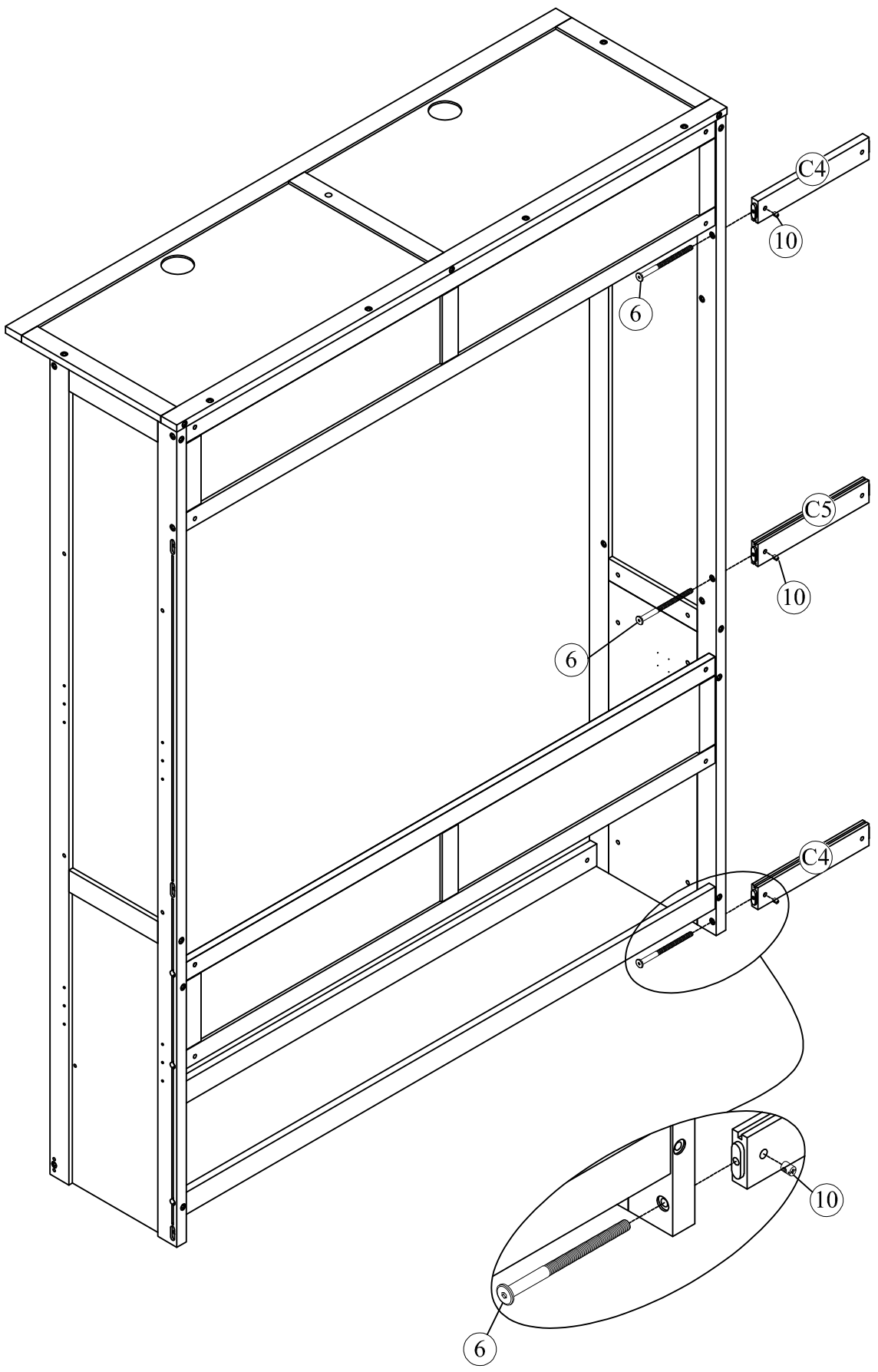


2(pcs)



STEP12: Following below illustration.

10	6
	
3(pcs)	3(pcs)



STEP13: Following below illustration.

10

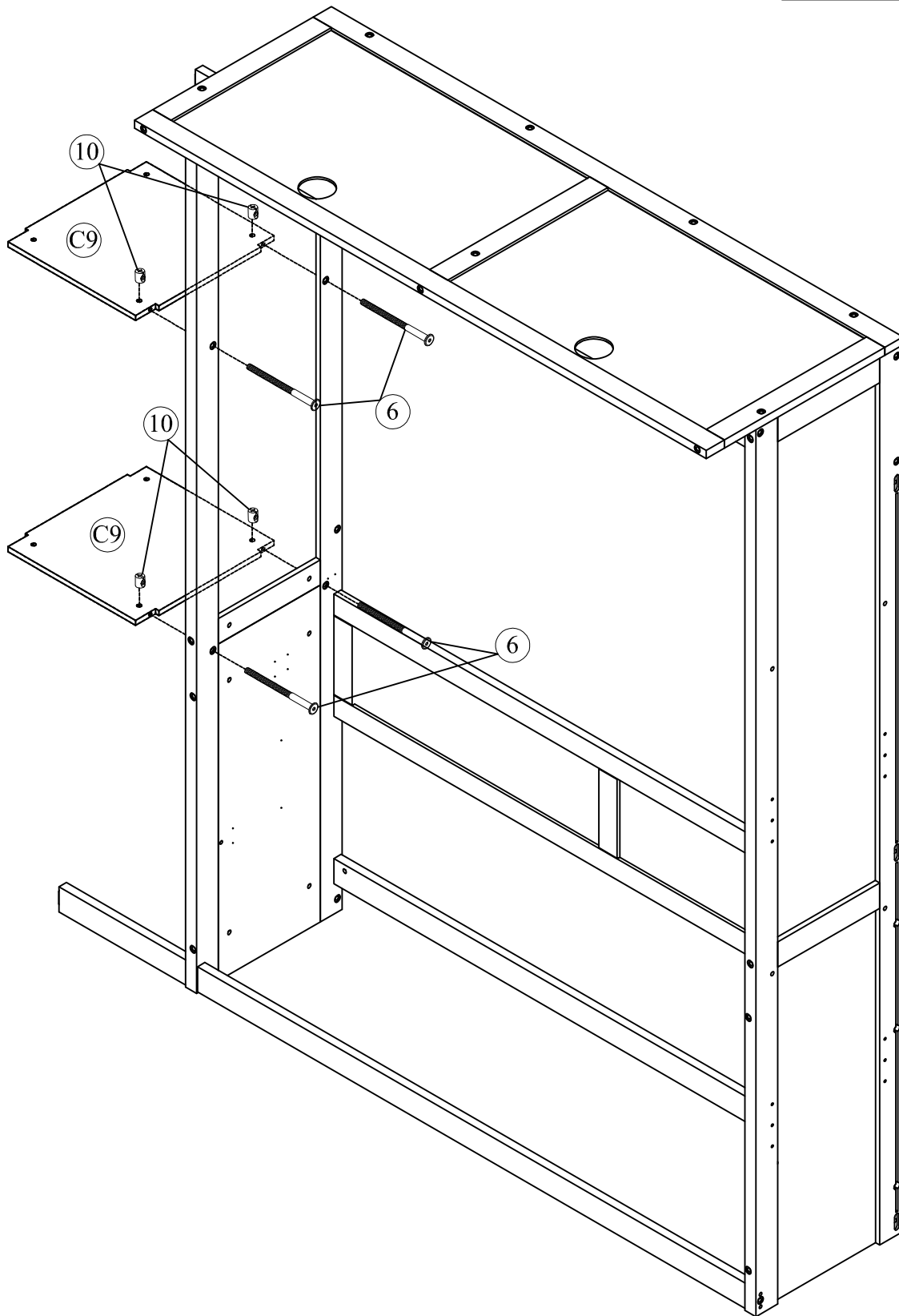


4(pcs)

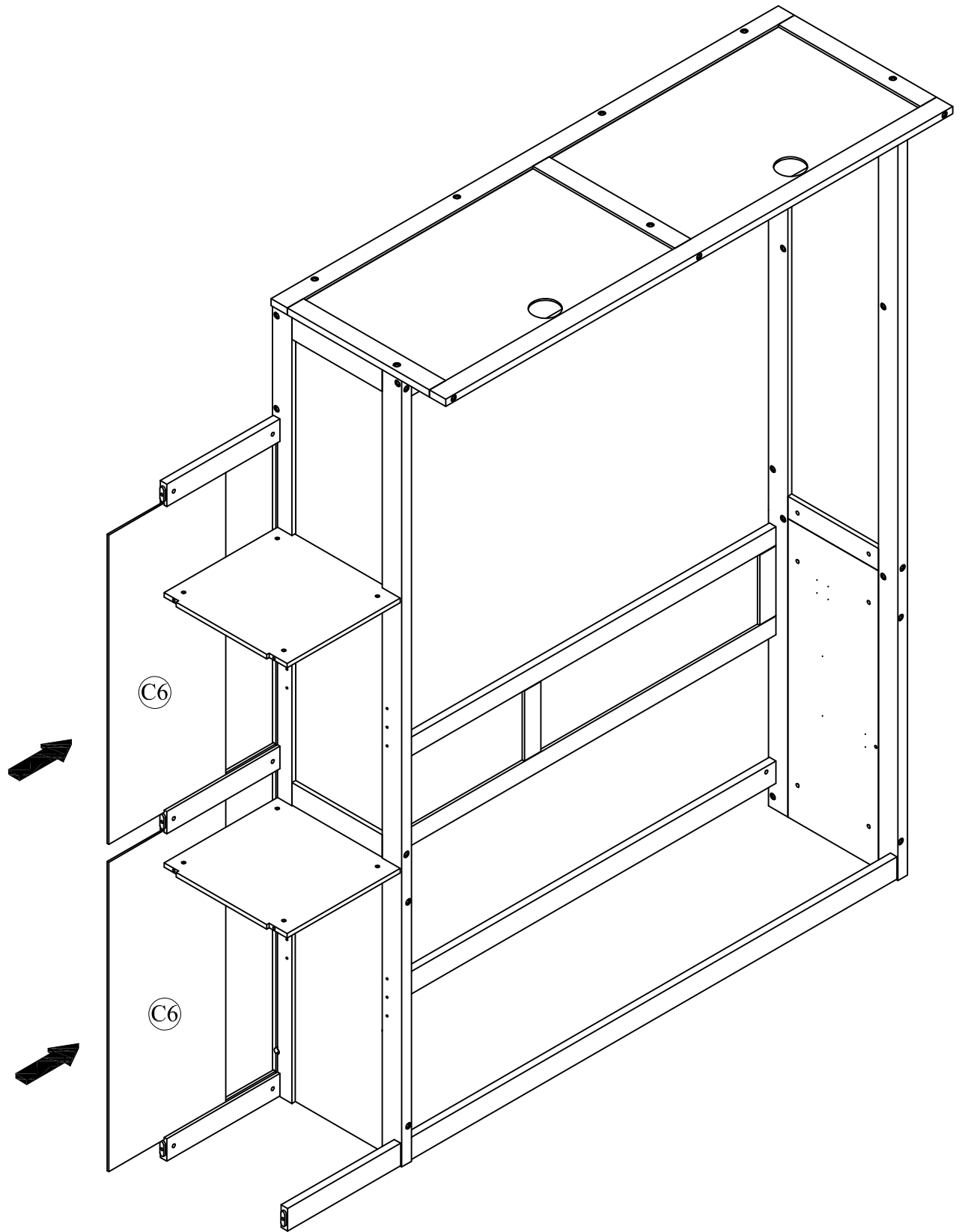
6





4(pcs)

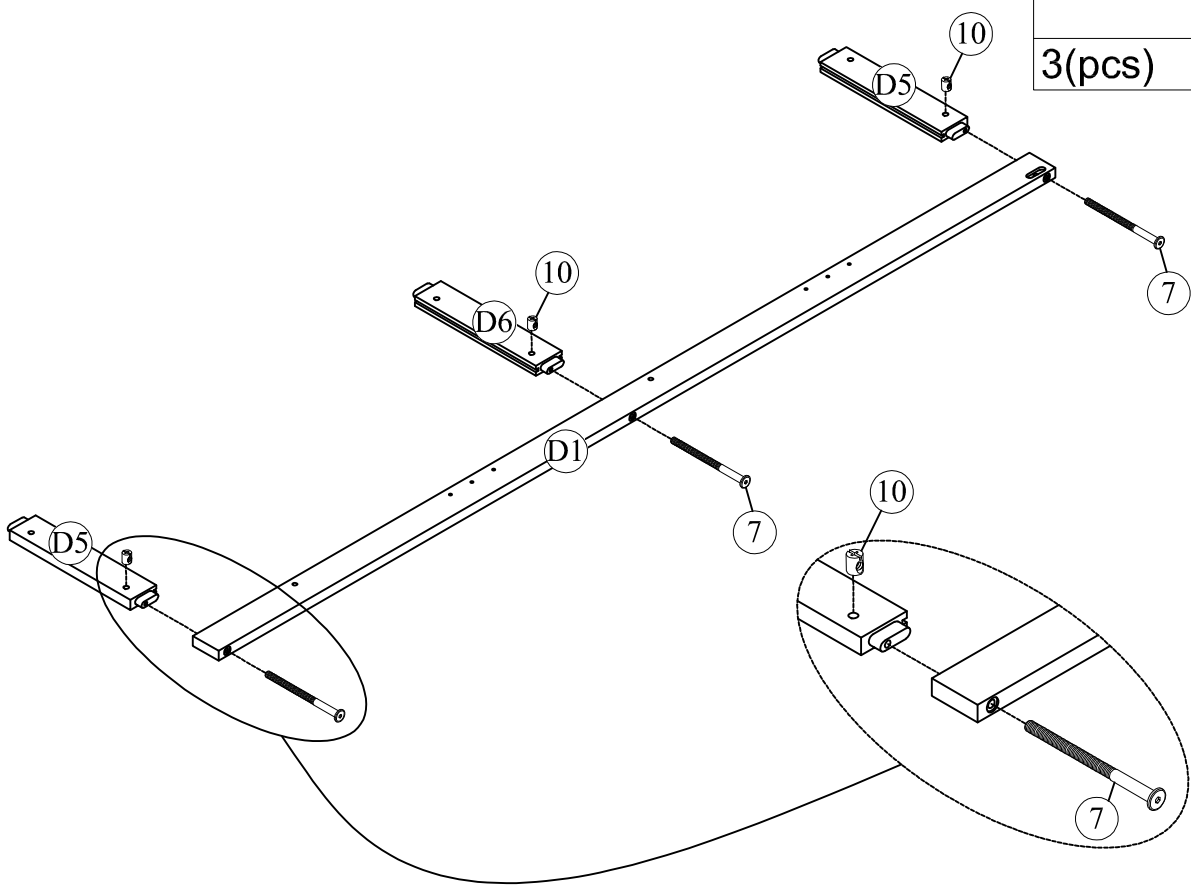


STEP14: Following below illustration.





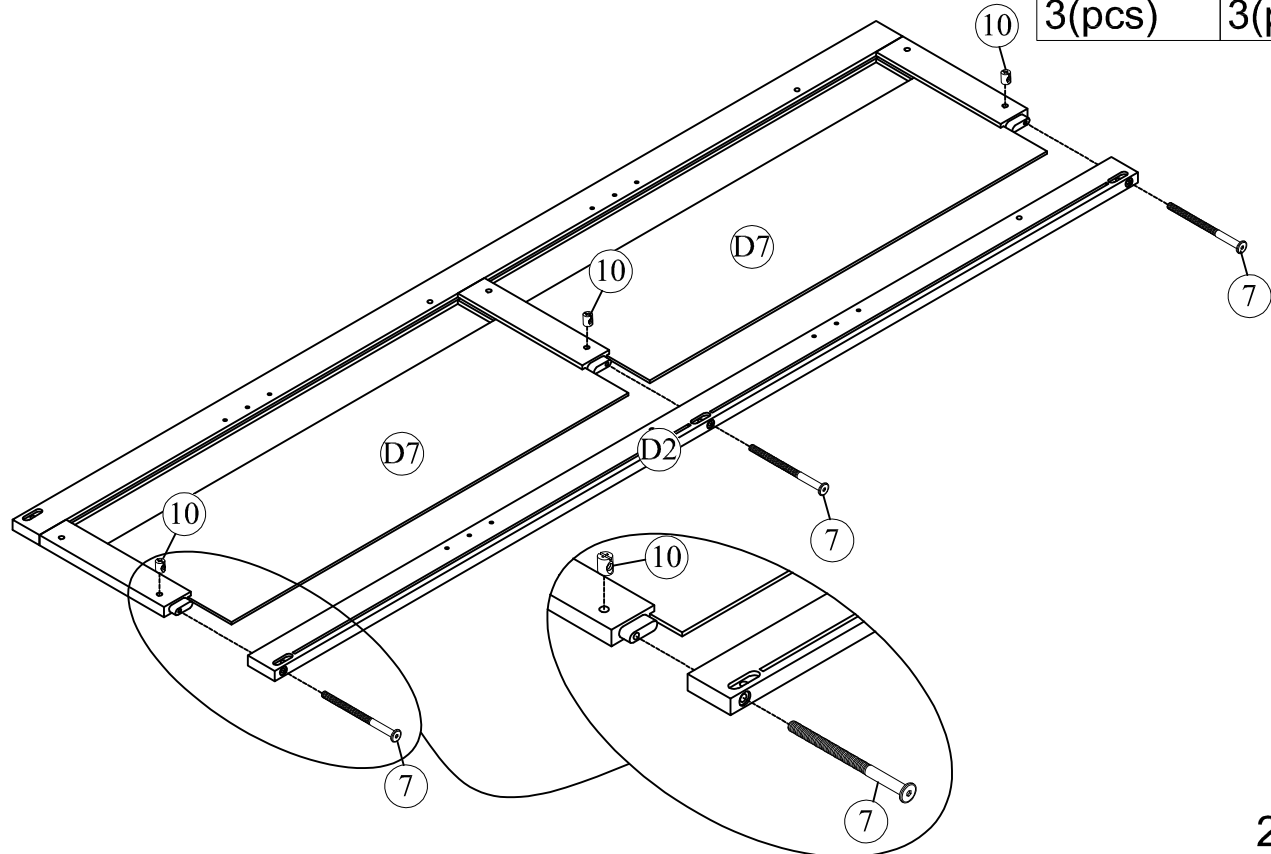
STEP15: Following below illustration.

10	7
	
3(pcs)	3(pcs)





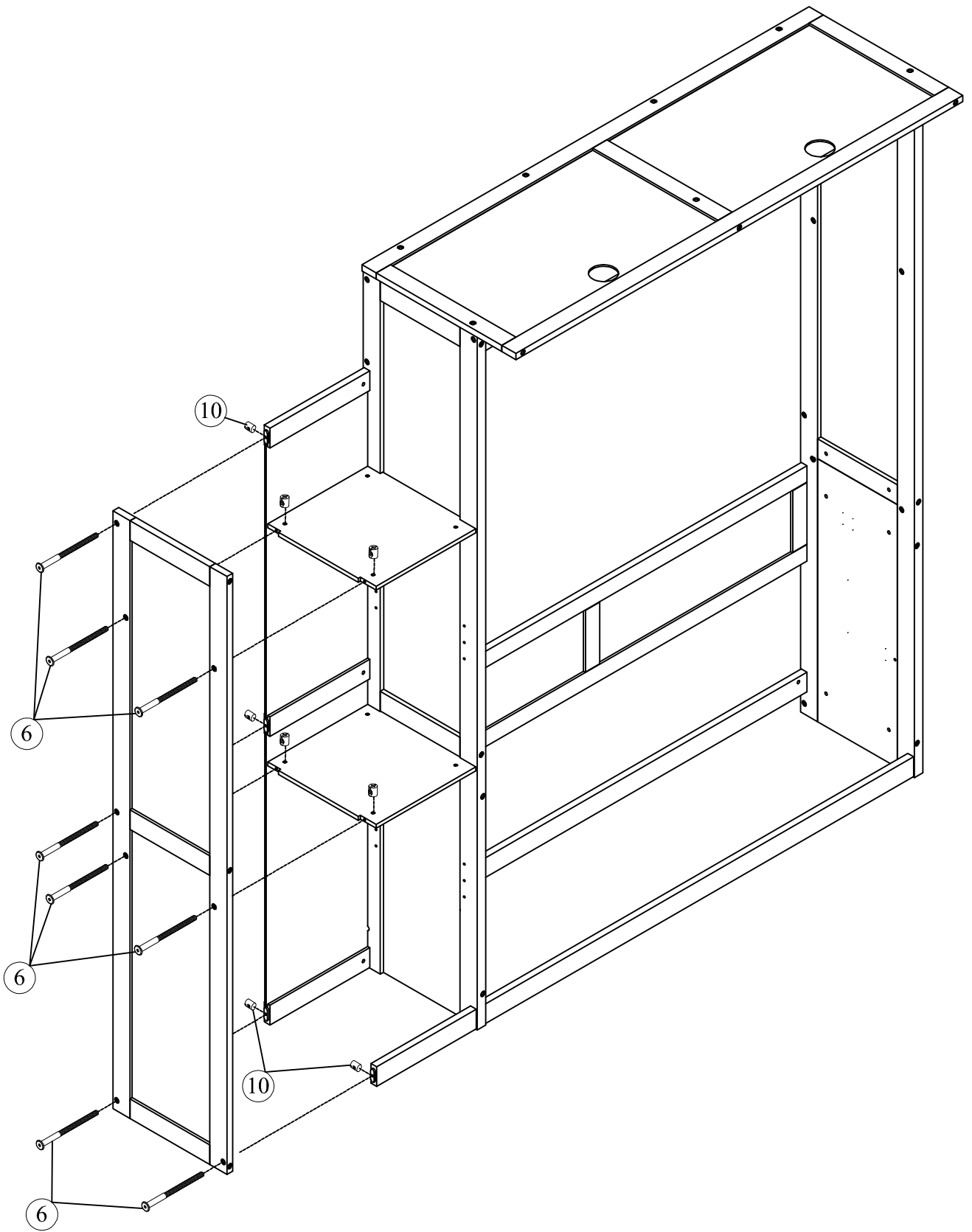
STEP16: Following below illustration.

10	7
	
3(pcs)	3(pcs)



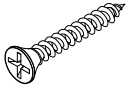
STEP17: Following below illustration.

10	6
	
8(pcs)	8(pcs)

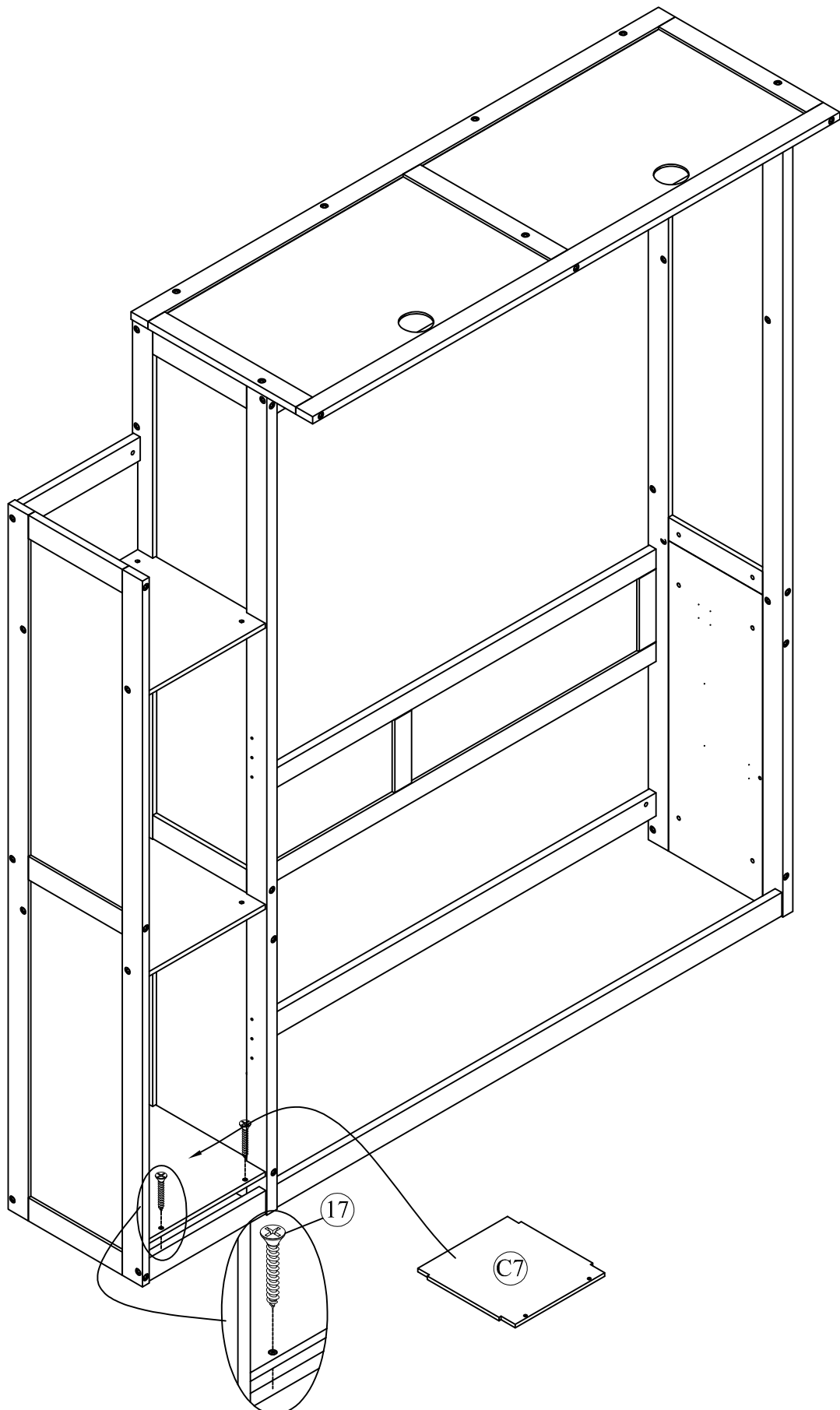


STEP18: Following below illustration.

17



2(pcs)

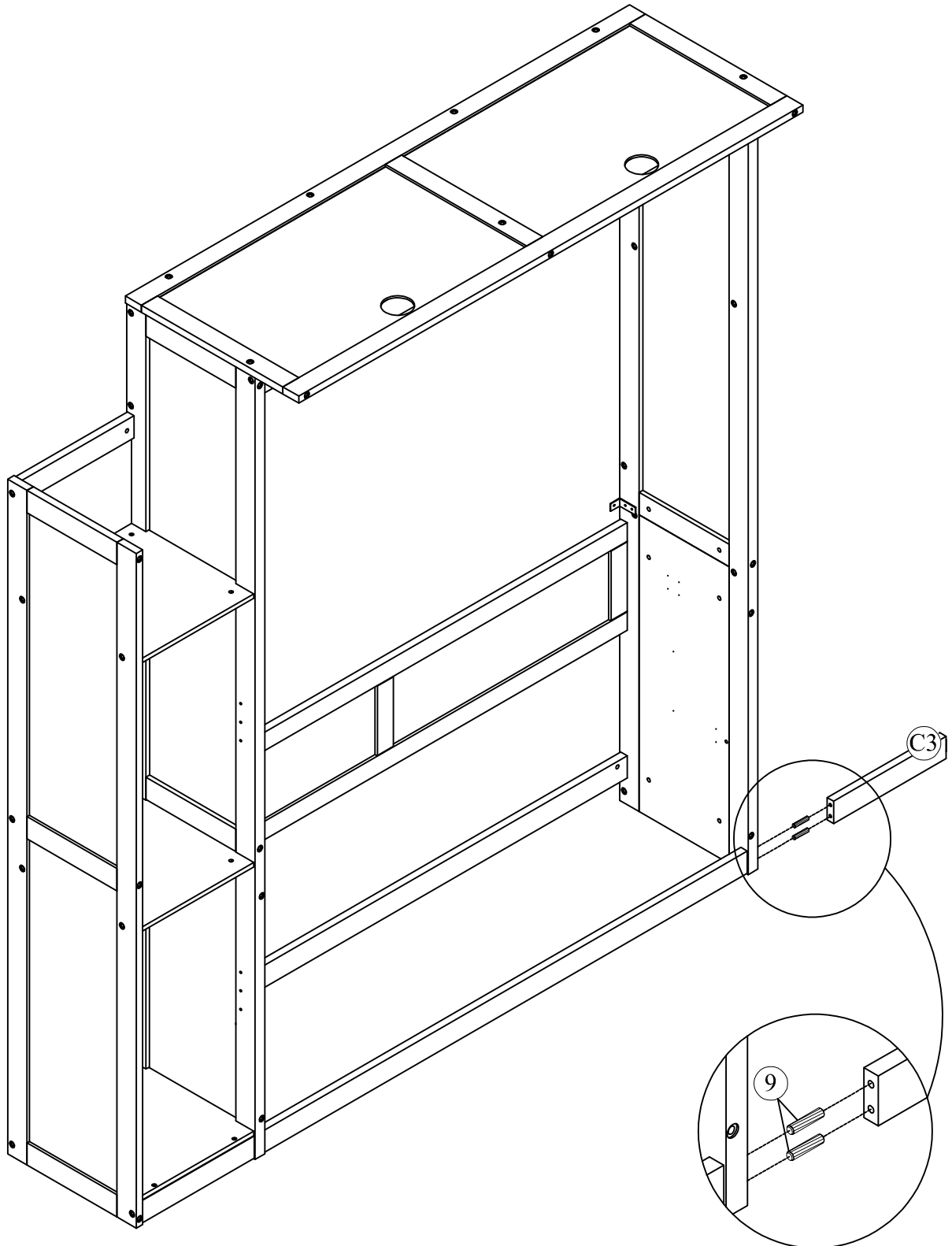


STEP19: Following below illustration.

9

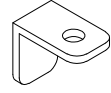


2(pcs)



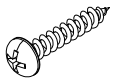
STEP20: Following below illustration.

26

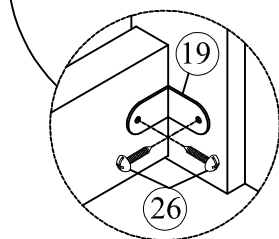
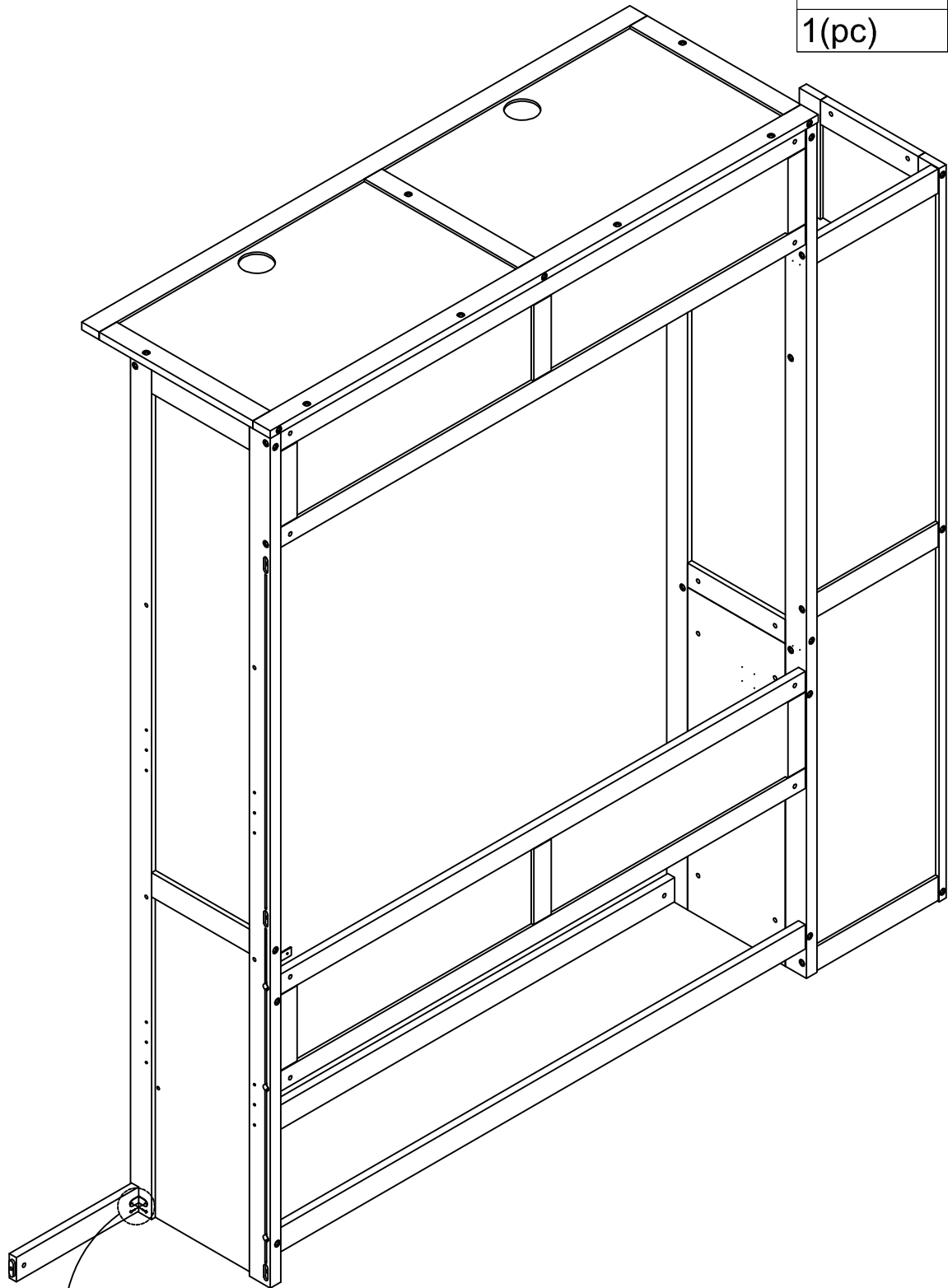


1(pc)



19

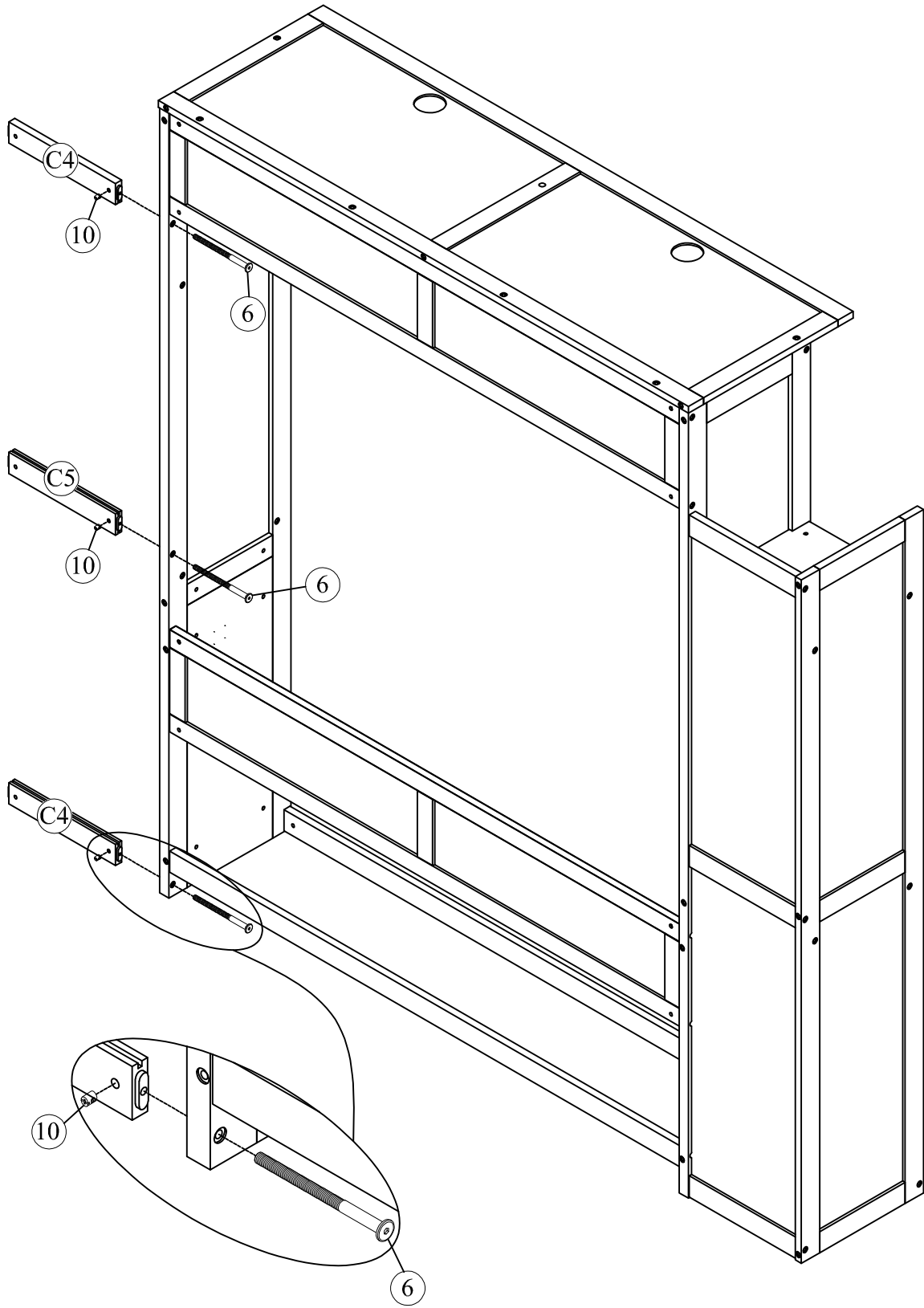


2(pcs)





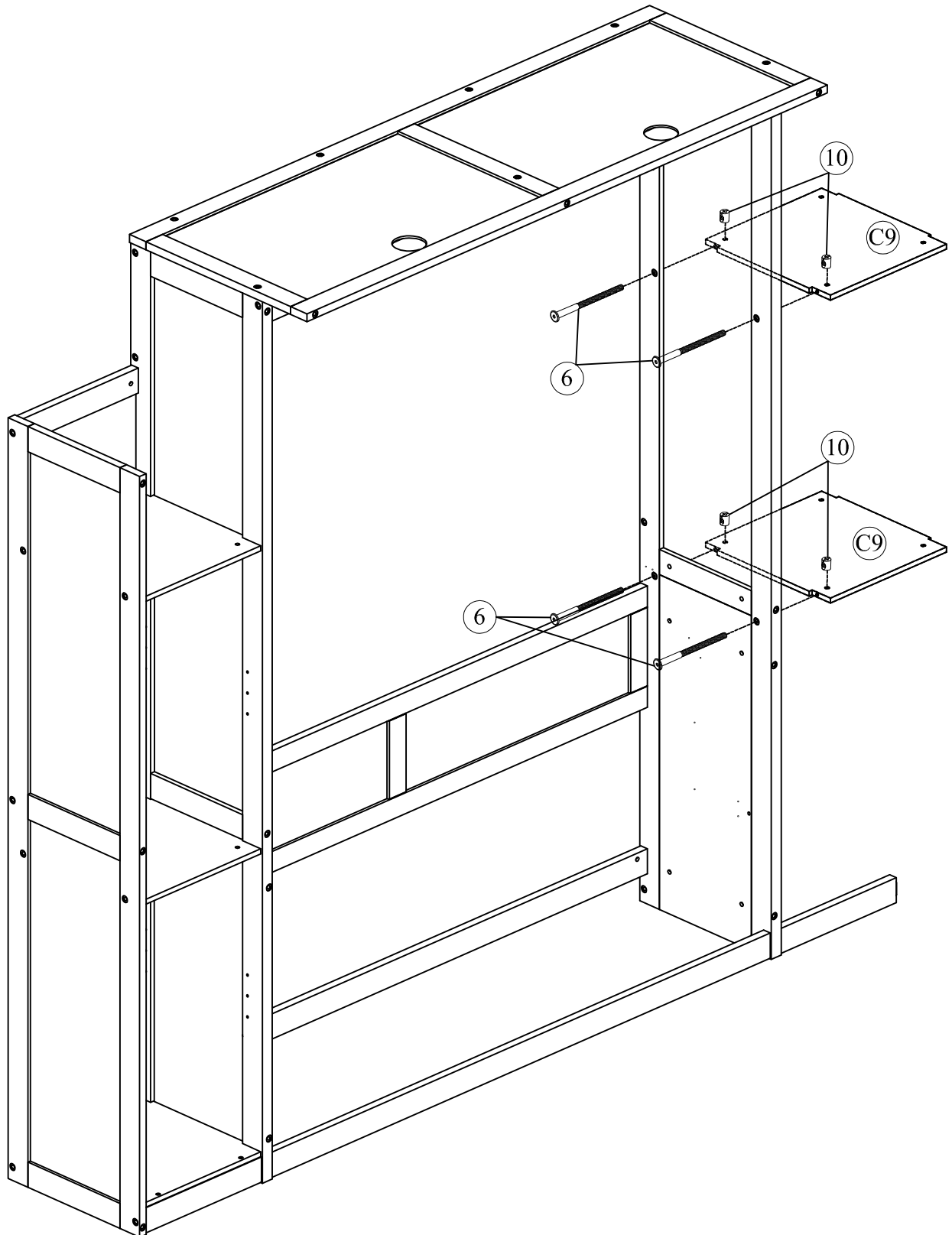
STEP21: Following below illustration.

10	6
	
3(pcs)	3(pcs)

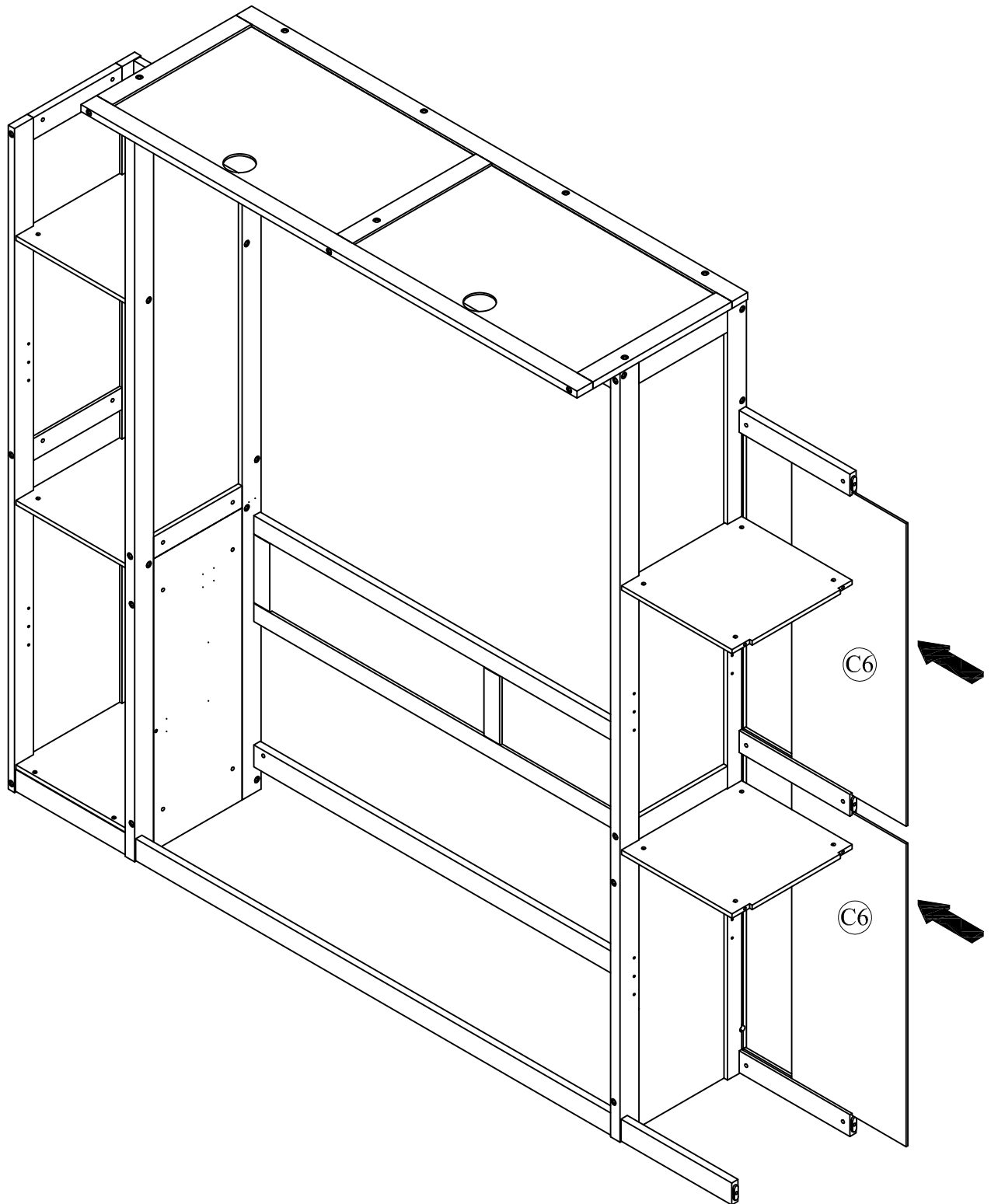


STEP22: Following below illustration.



10	6
	
4(pcs)	4(pcs)

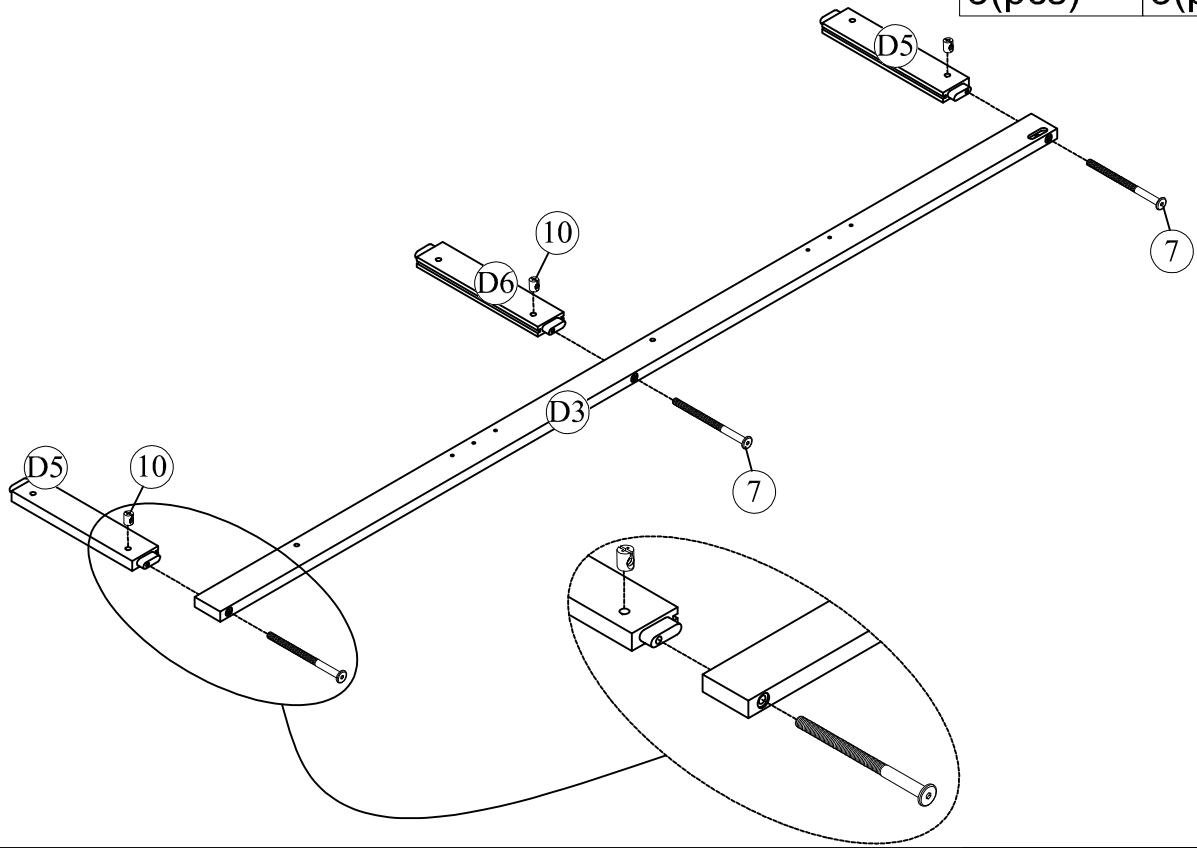


STEP23: Following below illustration.





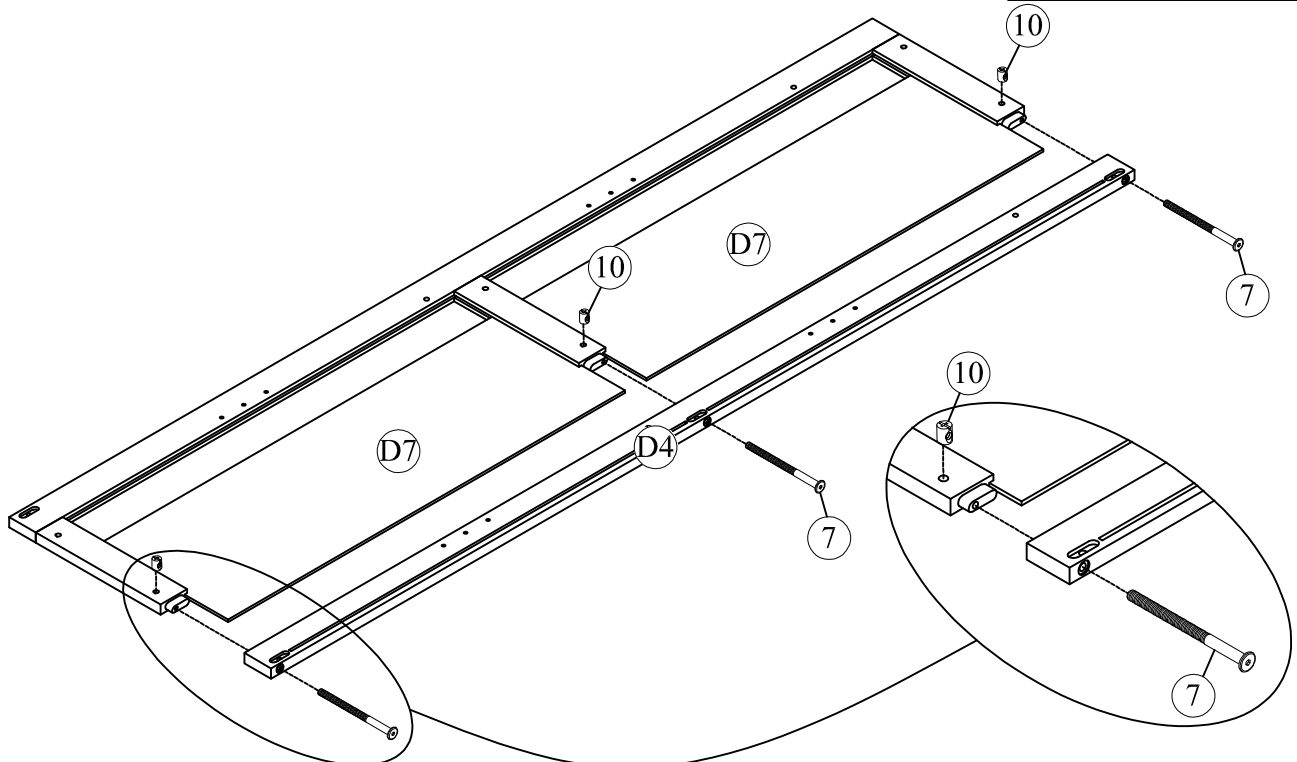
STEP24: Following below illustration.

10	7
	
3(pcs)	3(pcs)





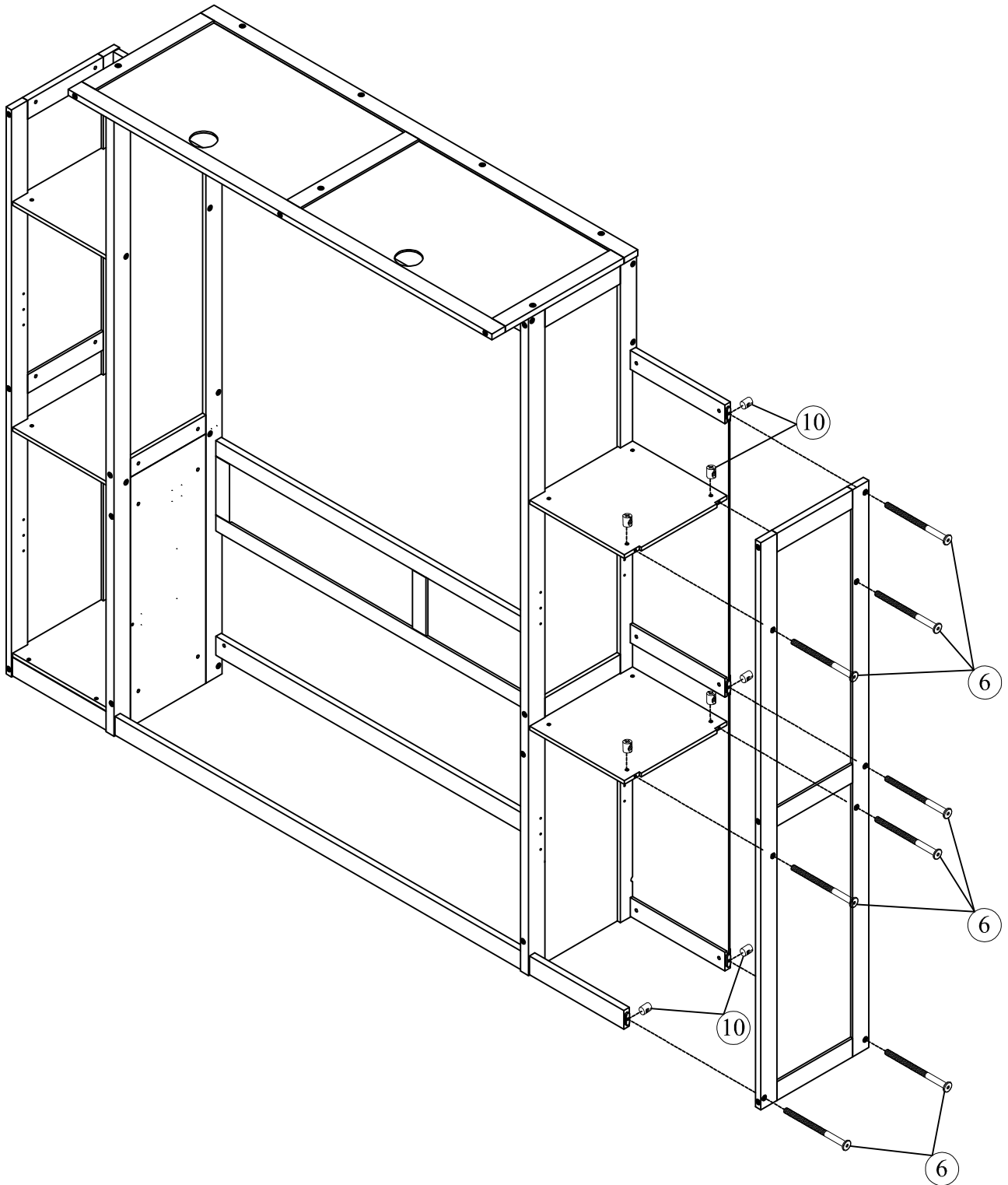
STEP25: Following below illustration.

10	7
	
3(pcs)	3(pcs)



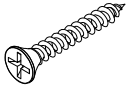
STEP26: Following below illustration.

10	6
	
8(pcs)	8(pcs)

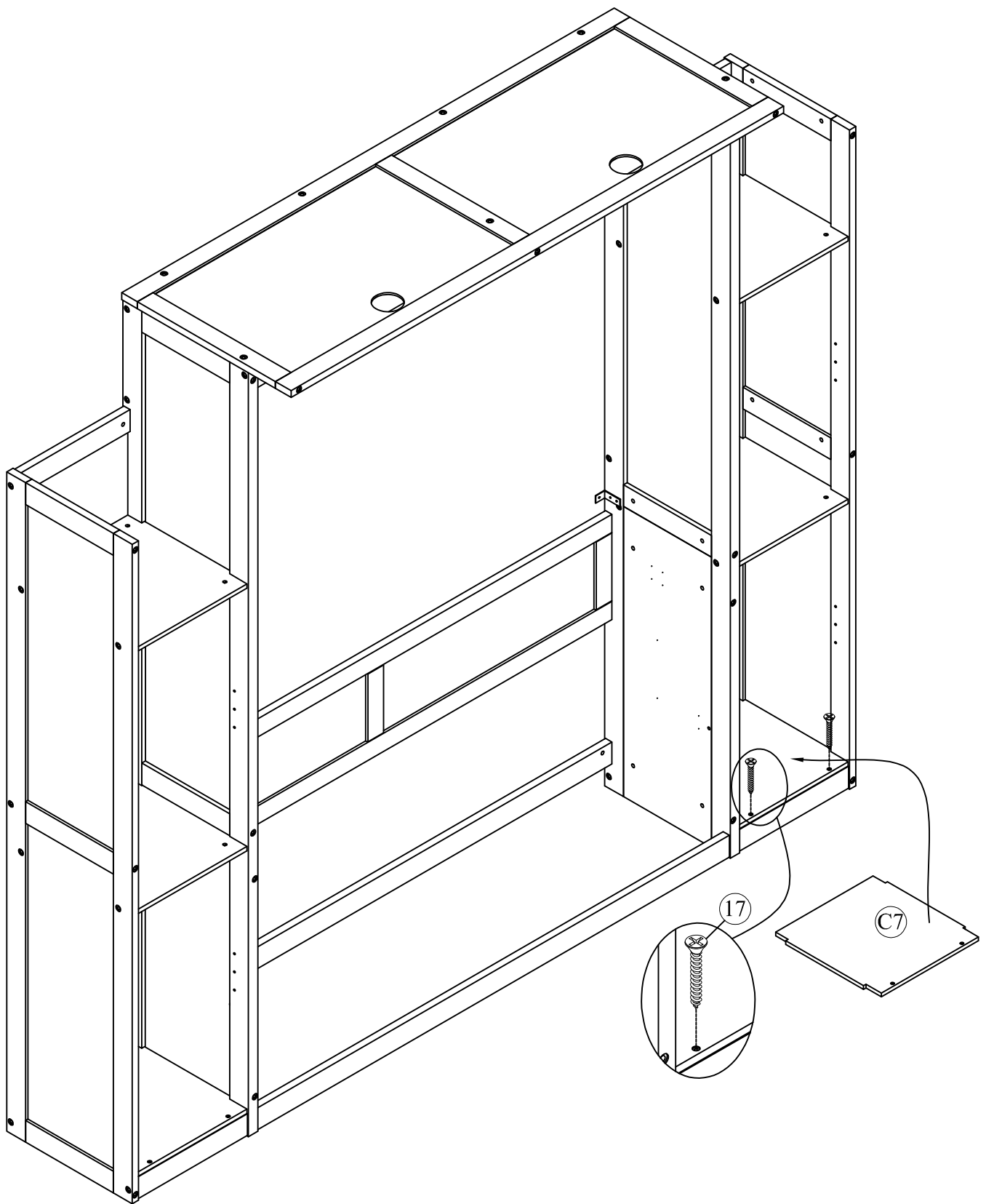


STEP27: Following below illustration.

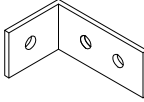
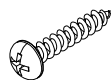
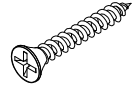
17

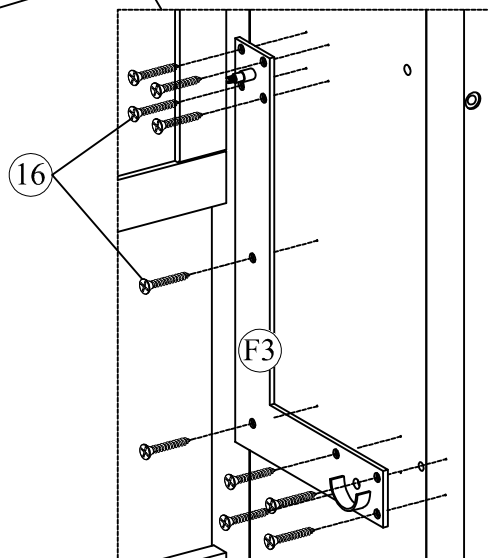
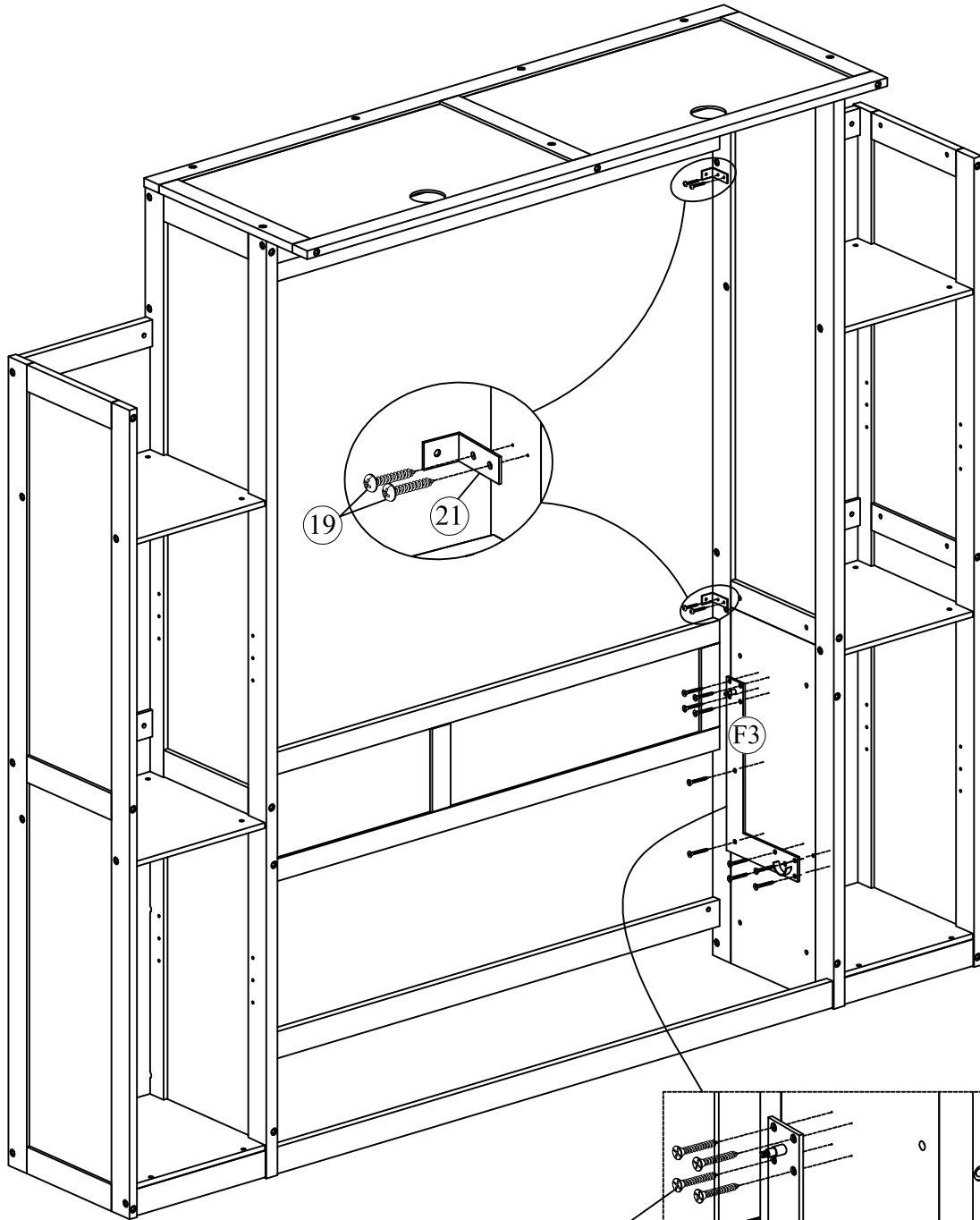


2(pcs)

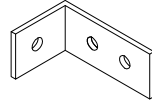


STEP28: Following below illustration.

21	19	16
		
2(pcs)	4(pcs)	10(pcs)

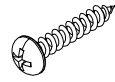


21



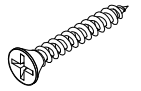
2(pcs)

19

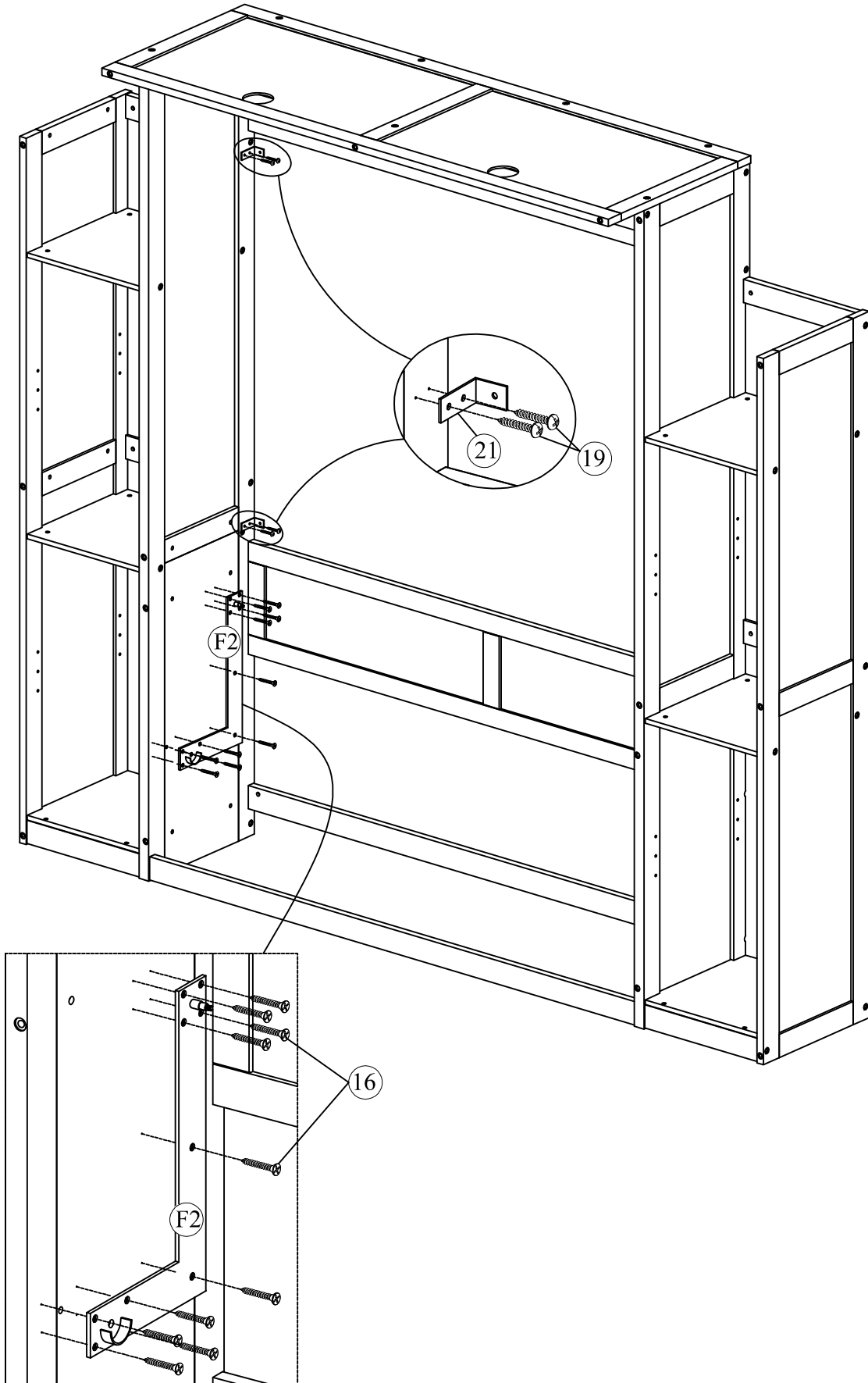


4(pcs)

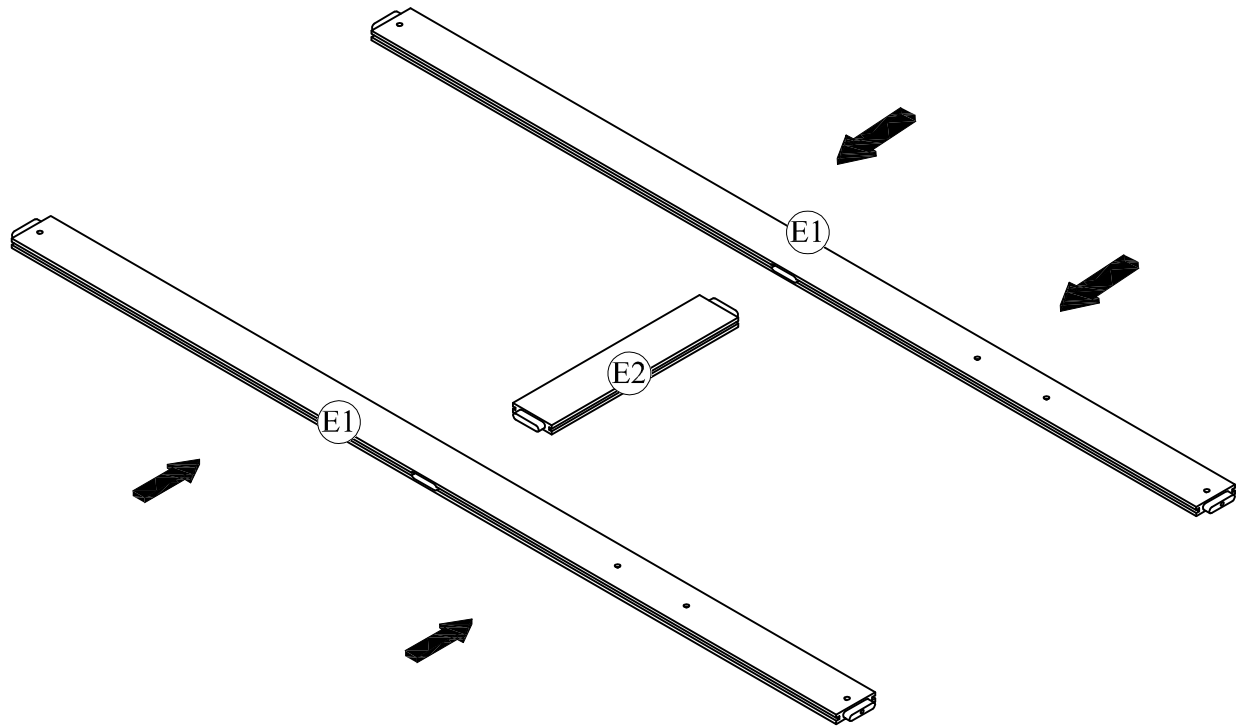
16





10(pcs)

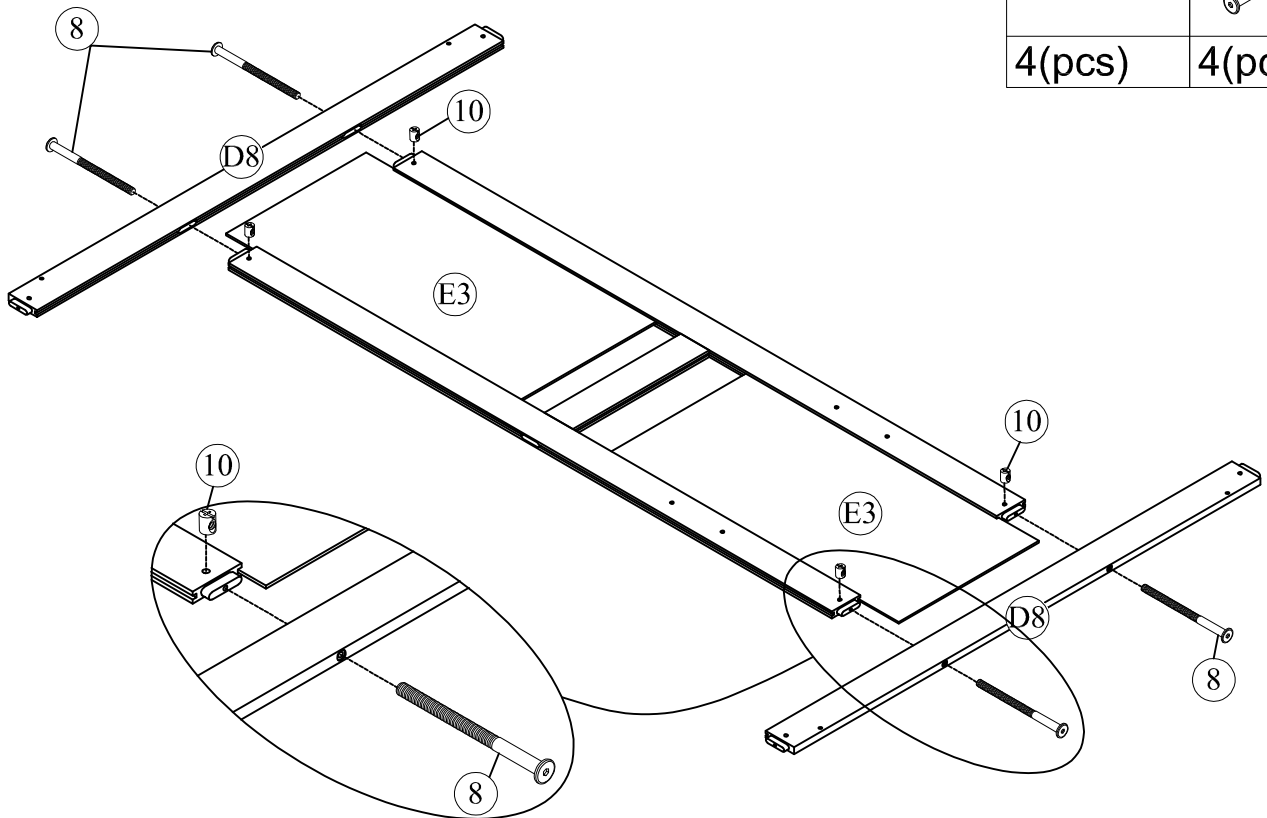


STEP30: Following below illustration.

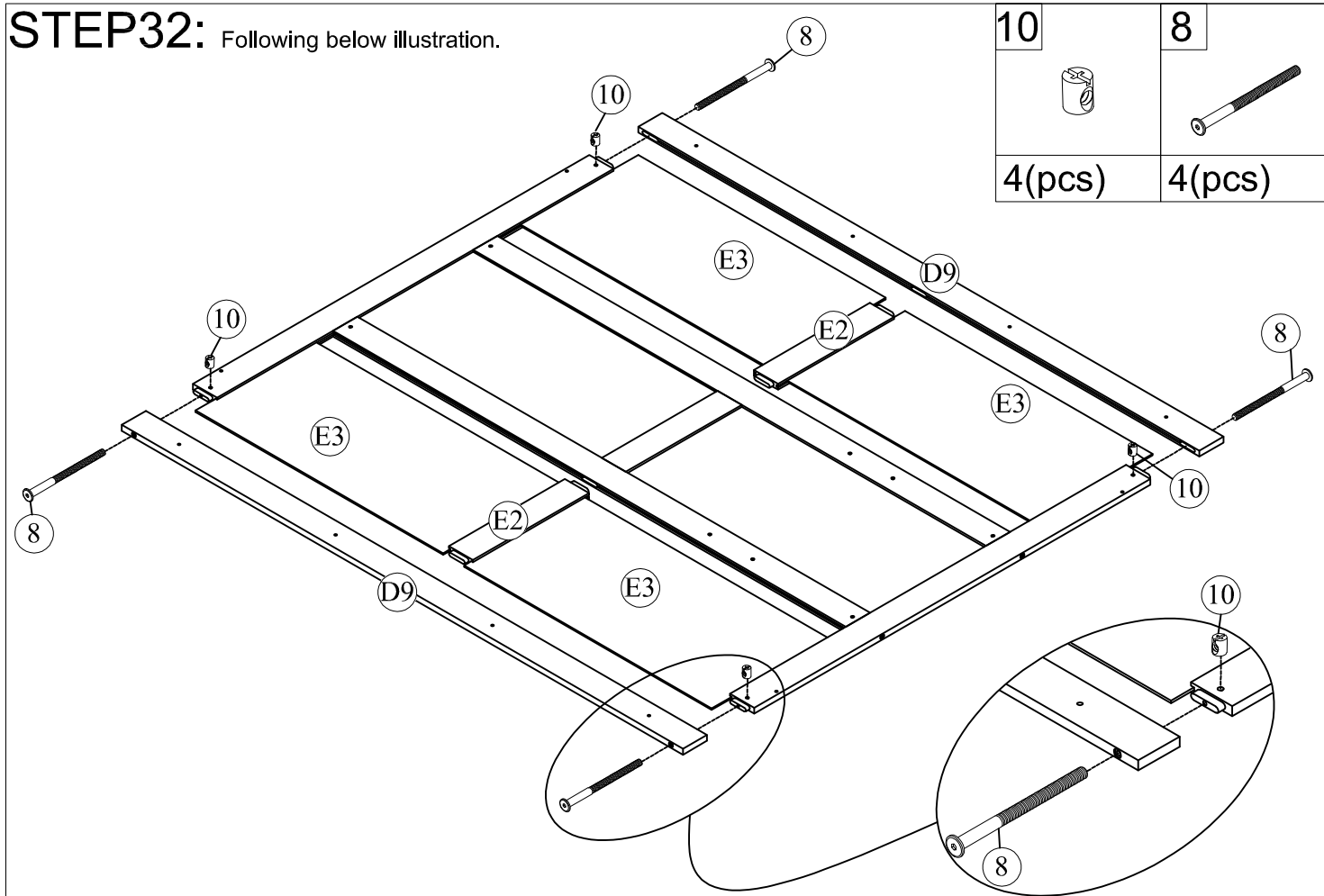




STEP31: Following below illustration.

10	8
	
4(pcs)	4(pcs)

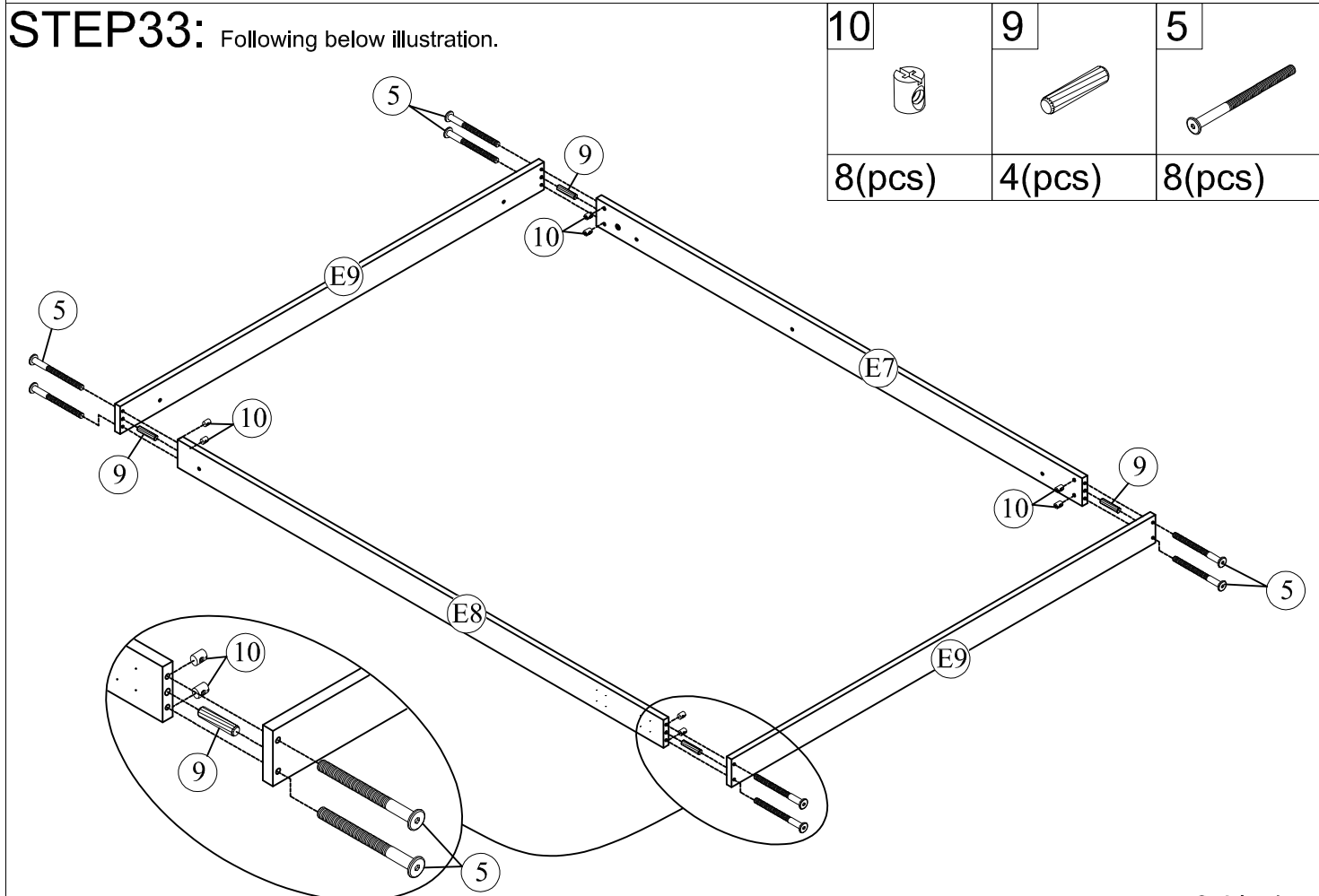





STEP32: Following below illustration.





10	8
	
4(pcs)	4(pcs)

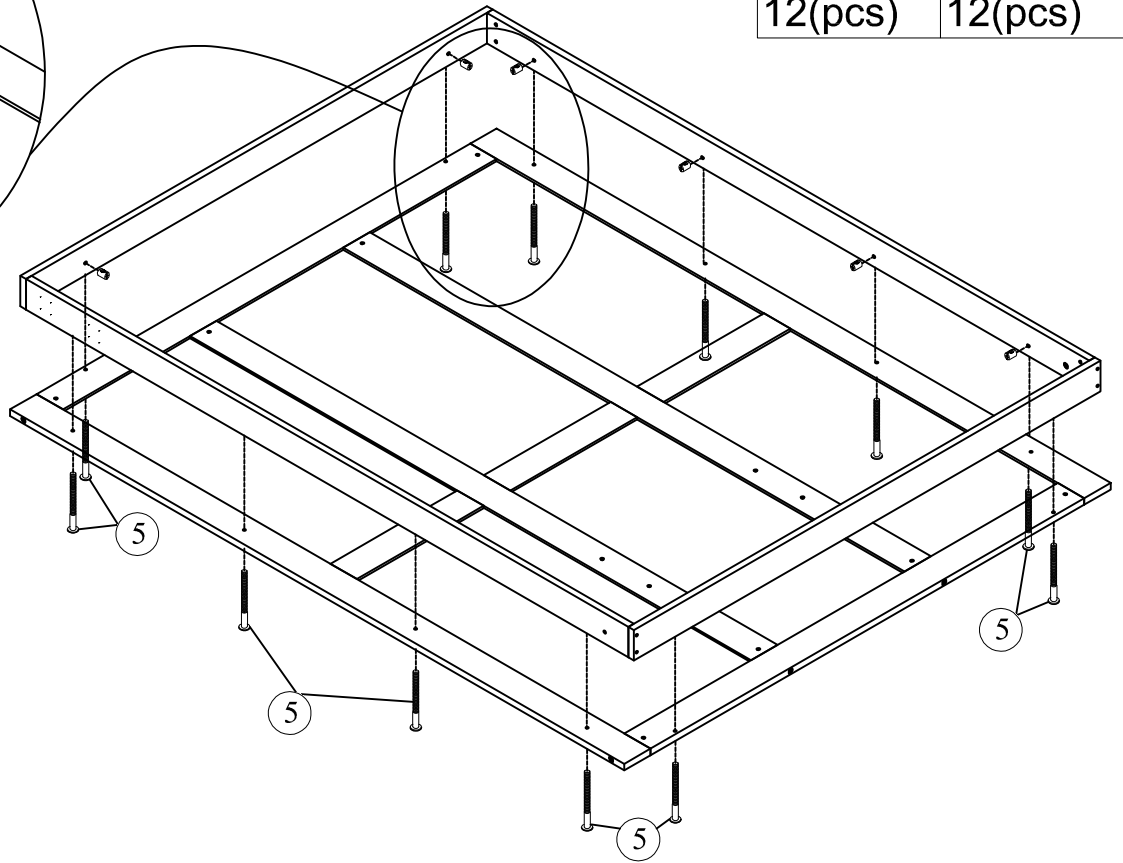
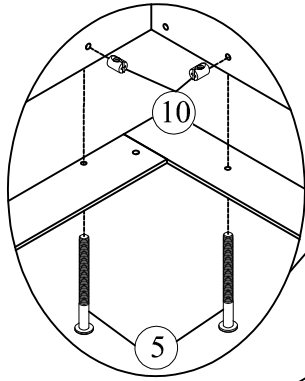
STEP33: Following below illustration.



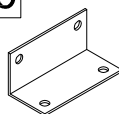
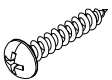
10	9	5
		
8(pcs)	4(pcs)	8(pcs)

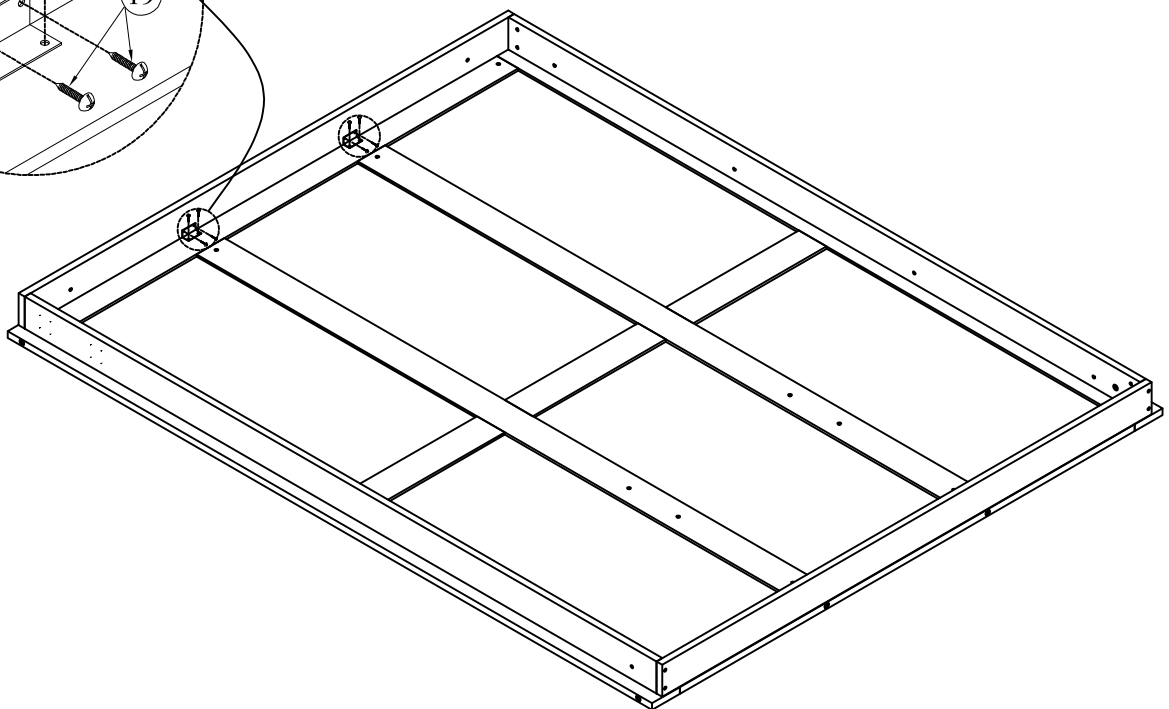
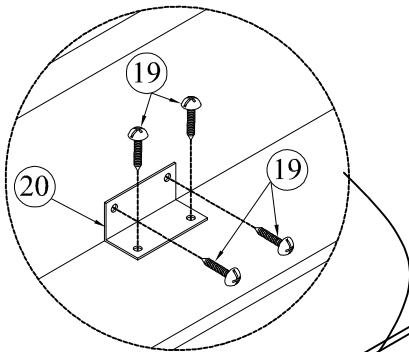
STEP34: Following below illustration.

10	5
	
12(pcs)	12(pcs)



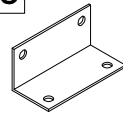
STEP35: Following below illustration.

20	19
	
2(pcs)	8(pcs)

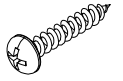


STEP36: Following below illustration.

20

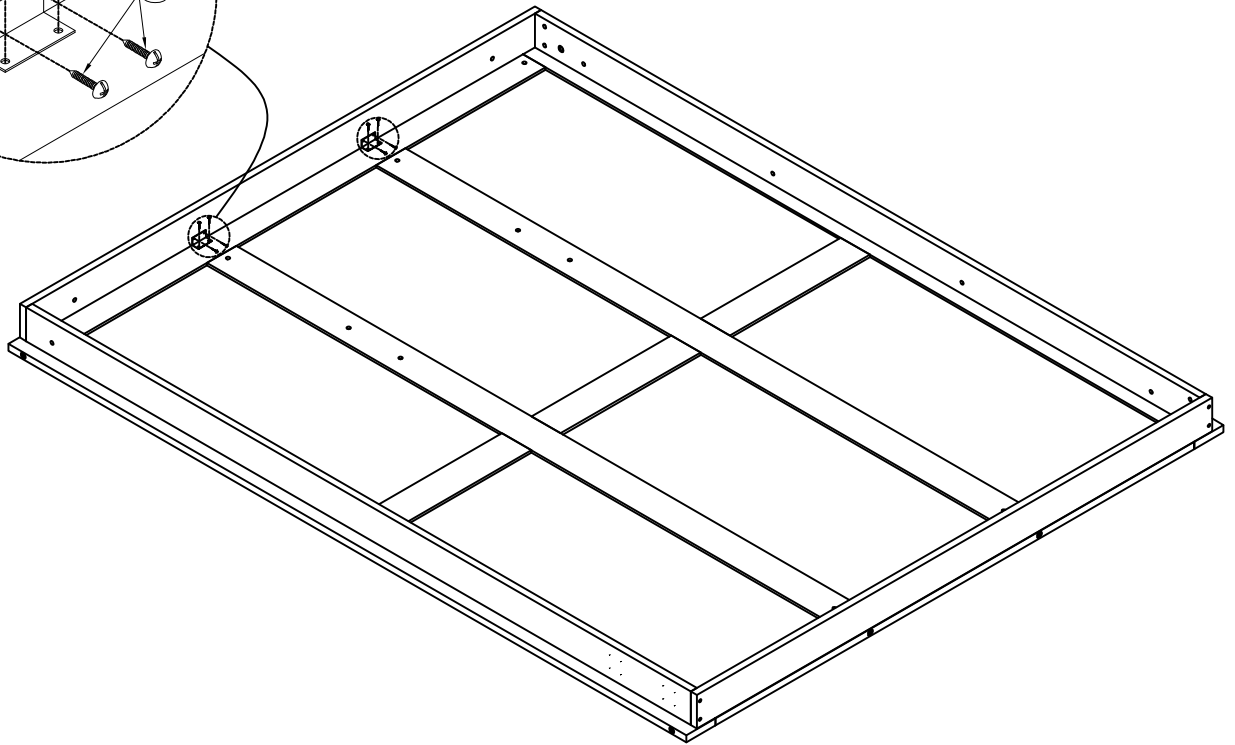
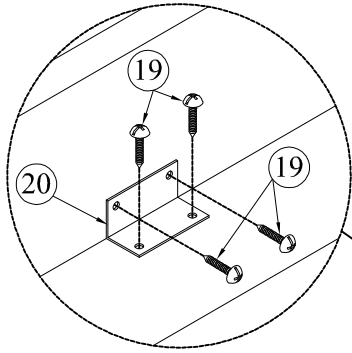


19



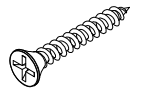
2(pcs)

8(pcs)

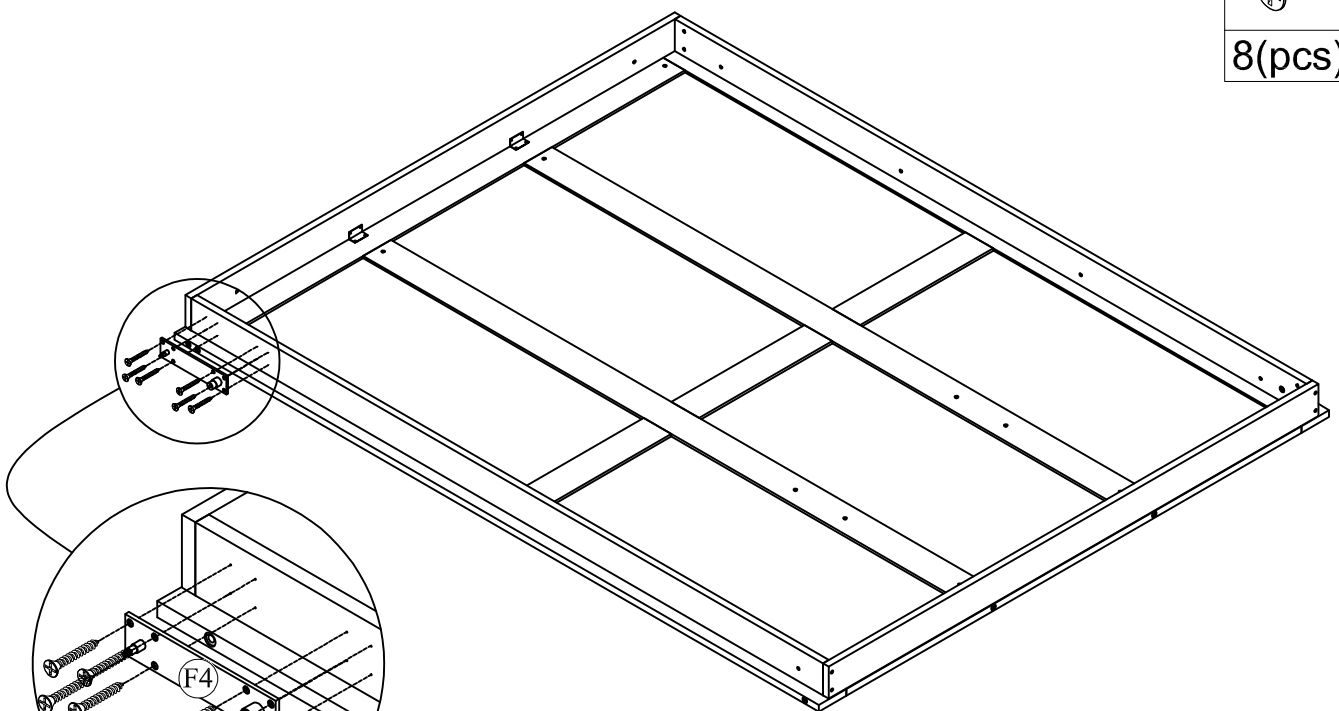
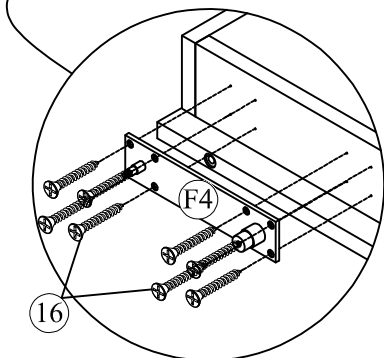
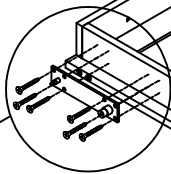


STEP37: Following below illustration.

16

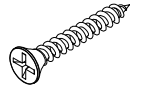


8(pcs)

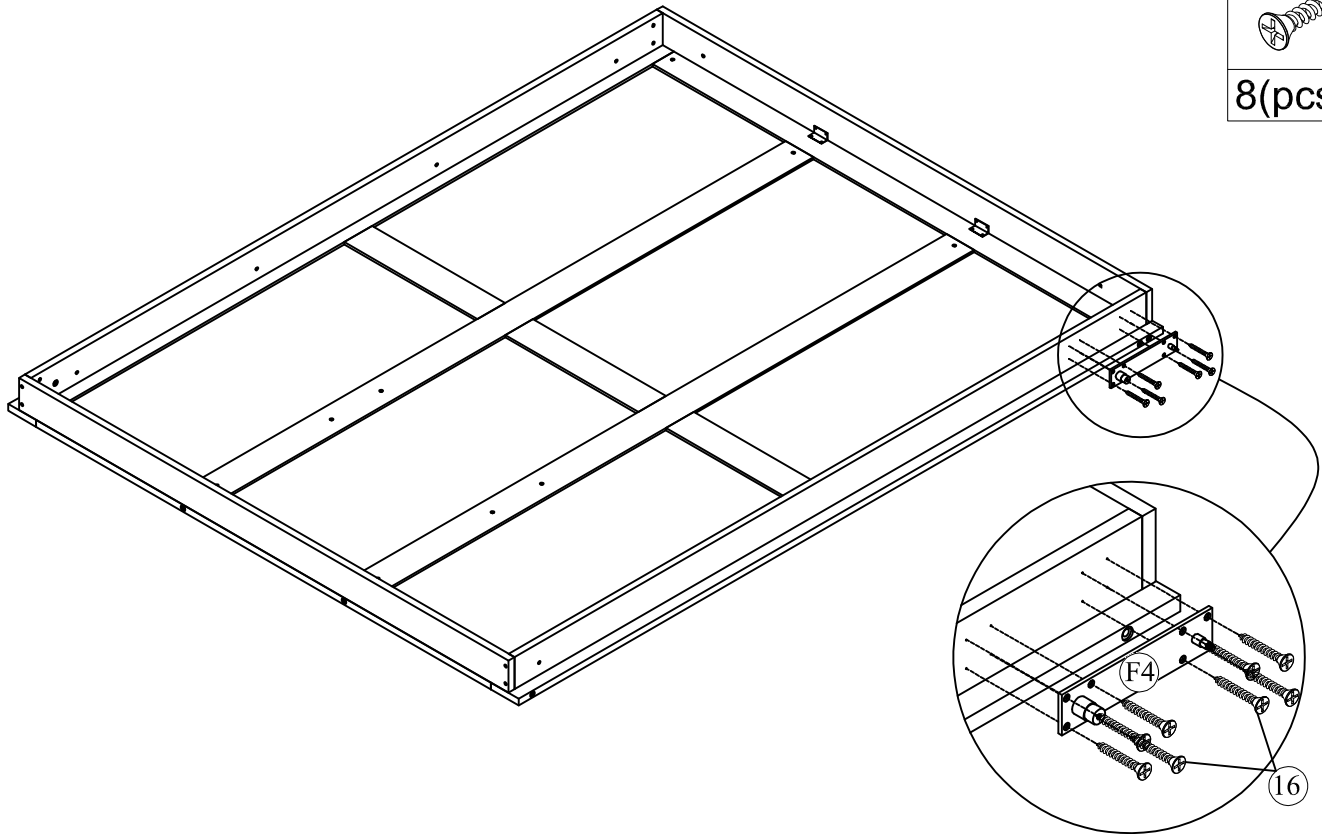


STEP38: Following below illustration.

16



8(pcs)



STEP39: Following below illustration.

15

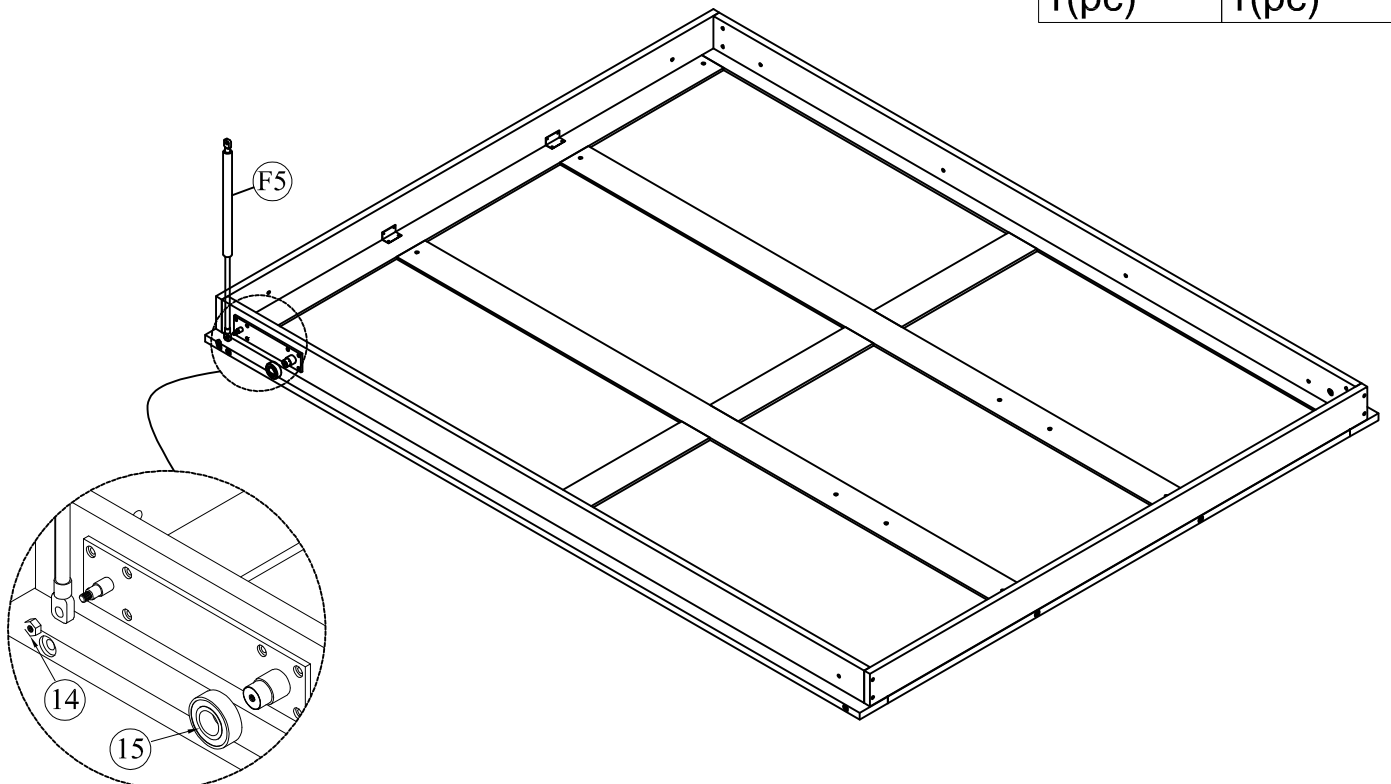


1(pc)

14





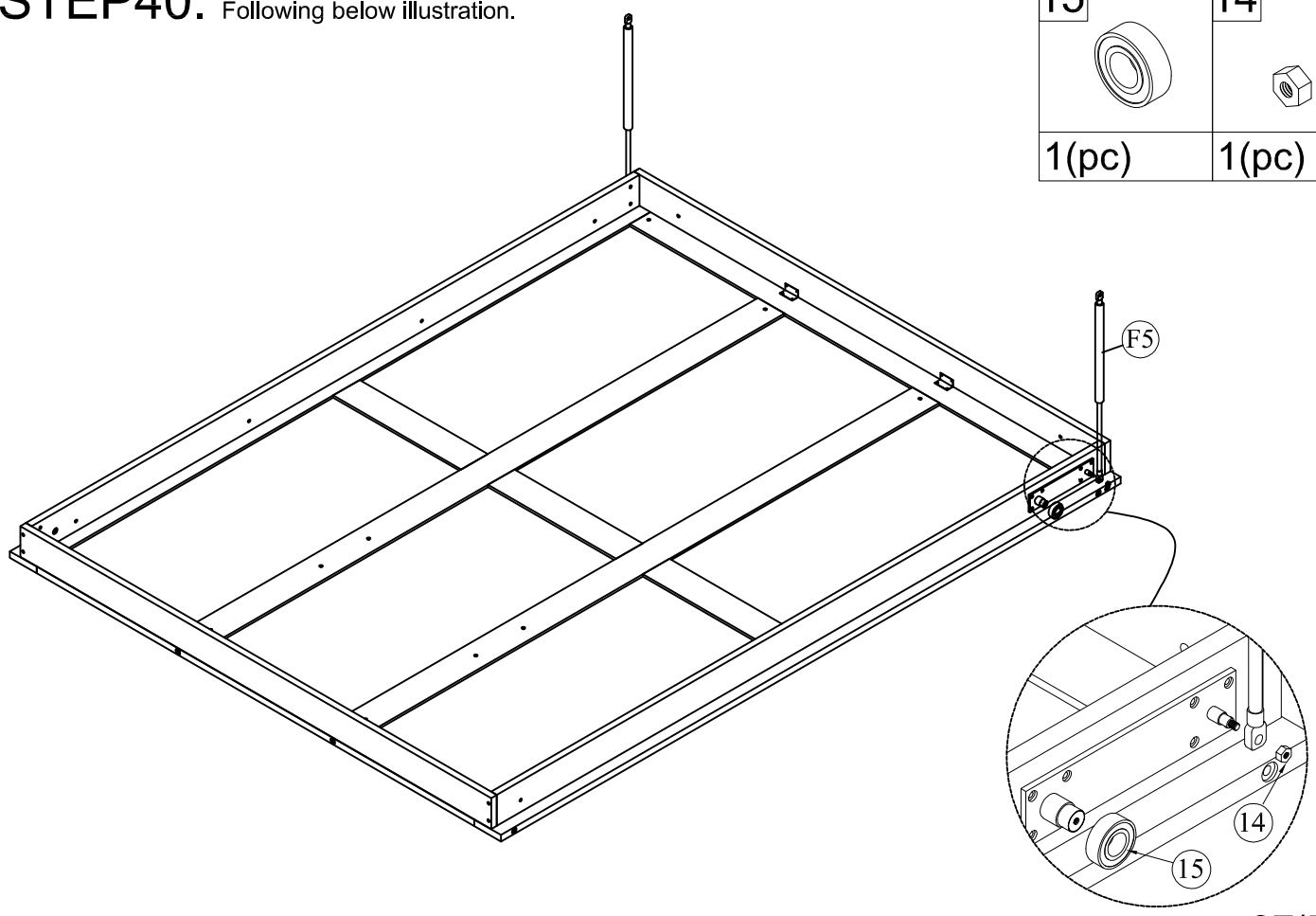
1(pc)



37/51

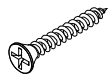
STEP40: Following below illustration.

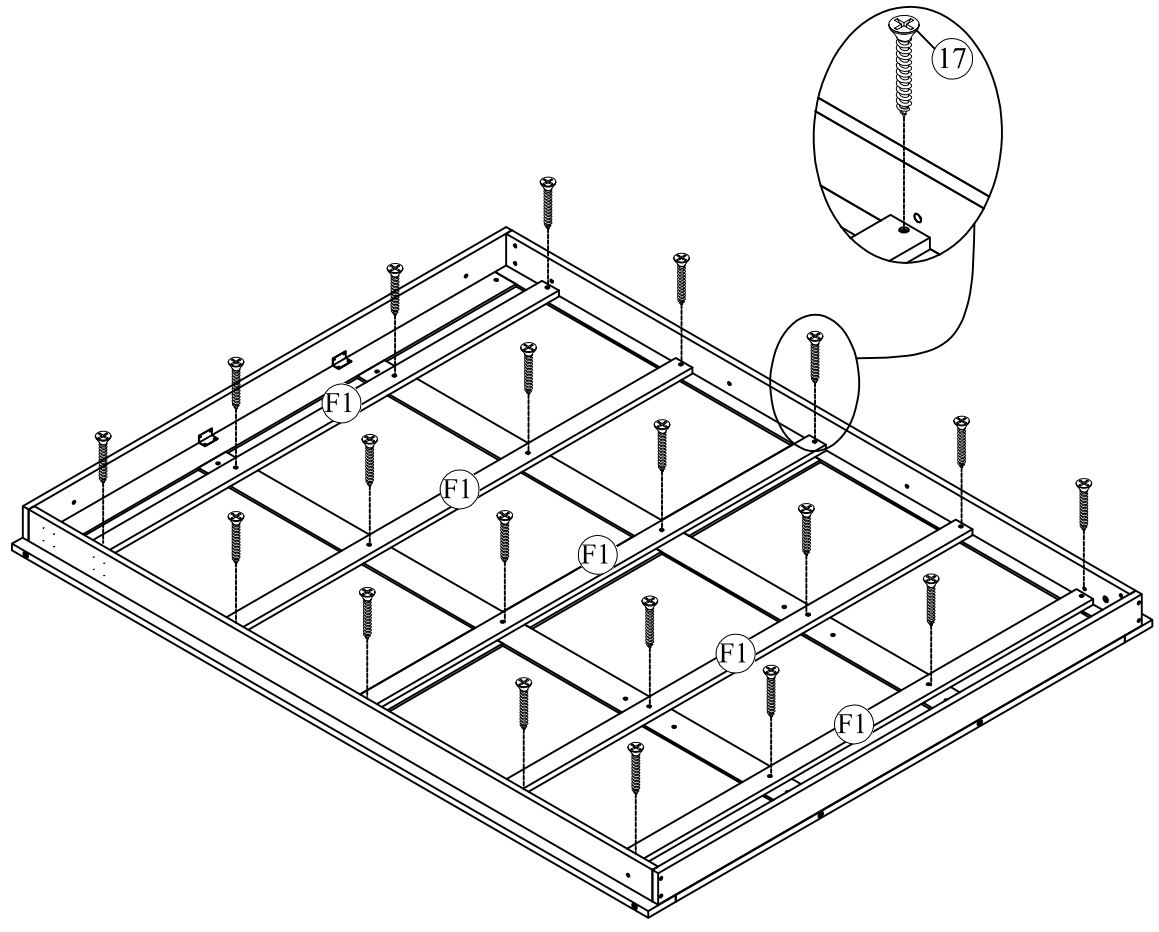
15	14
	
1(pc)	1(pc)



37/51

STEP41: Following below illustration.

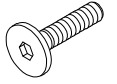
17

20(pcs)



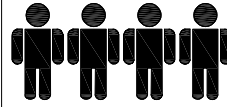
38/51

STEP42: Following below illustration.

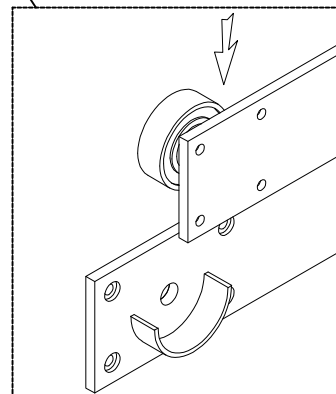
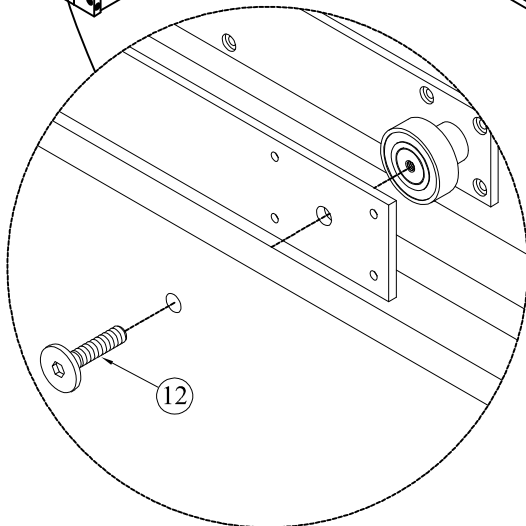
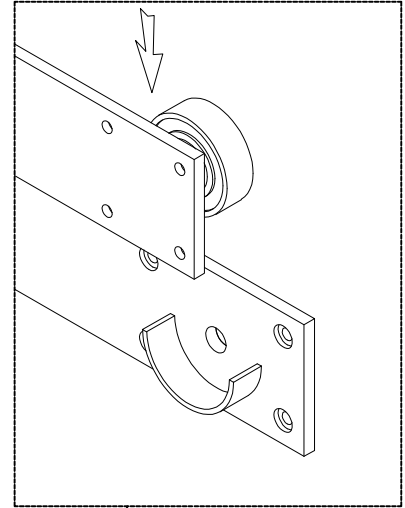
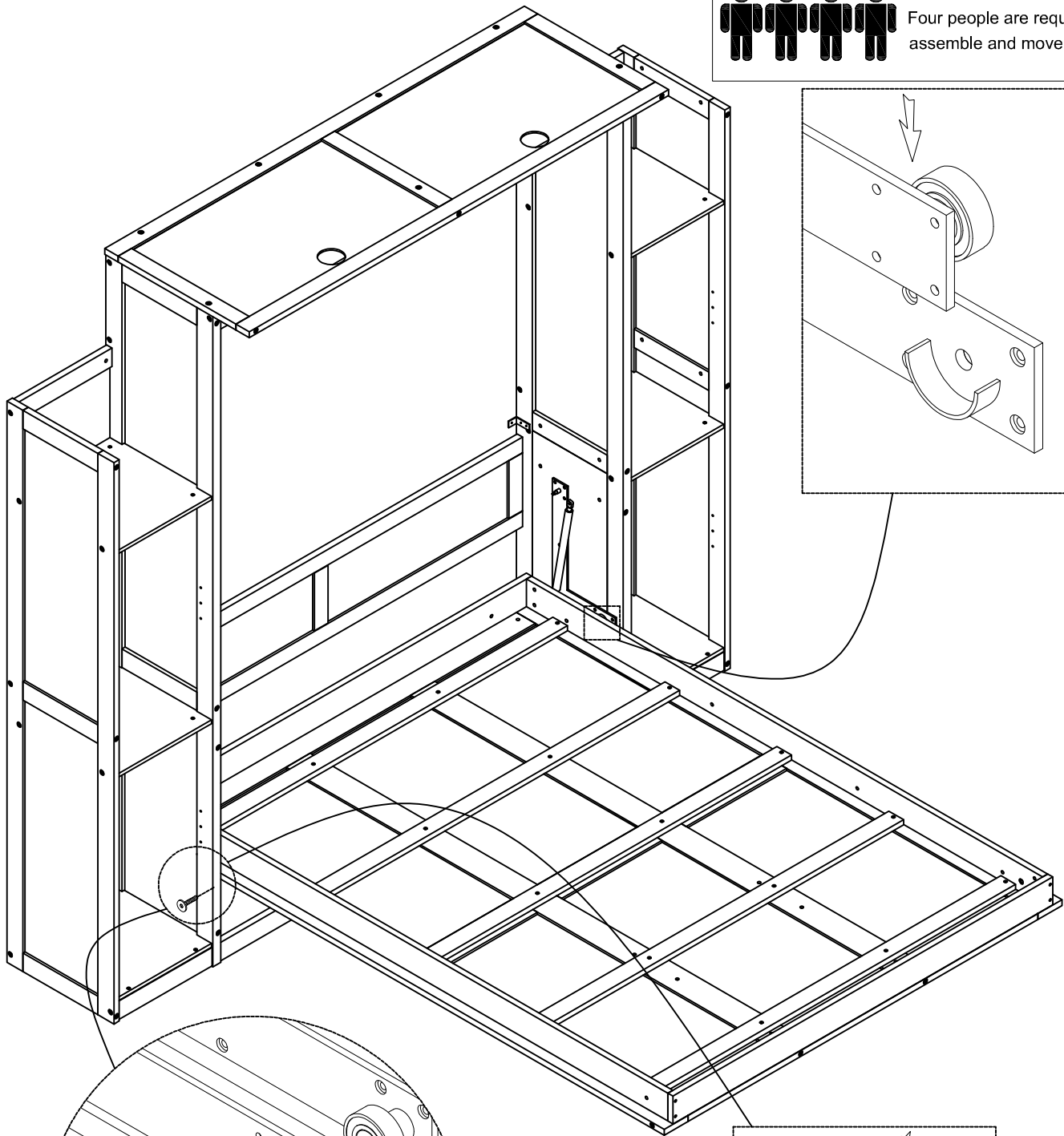
12



2(pcs)



Four people are required to assemble and move this model.

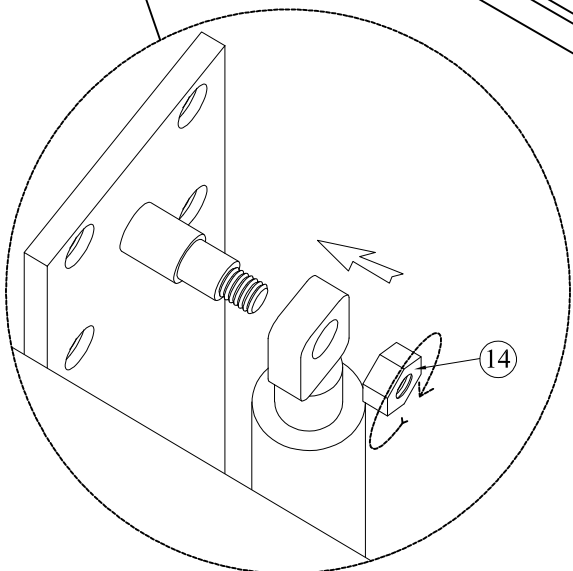
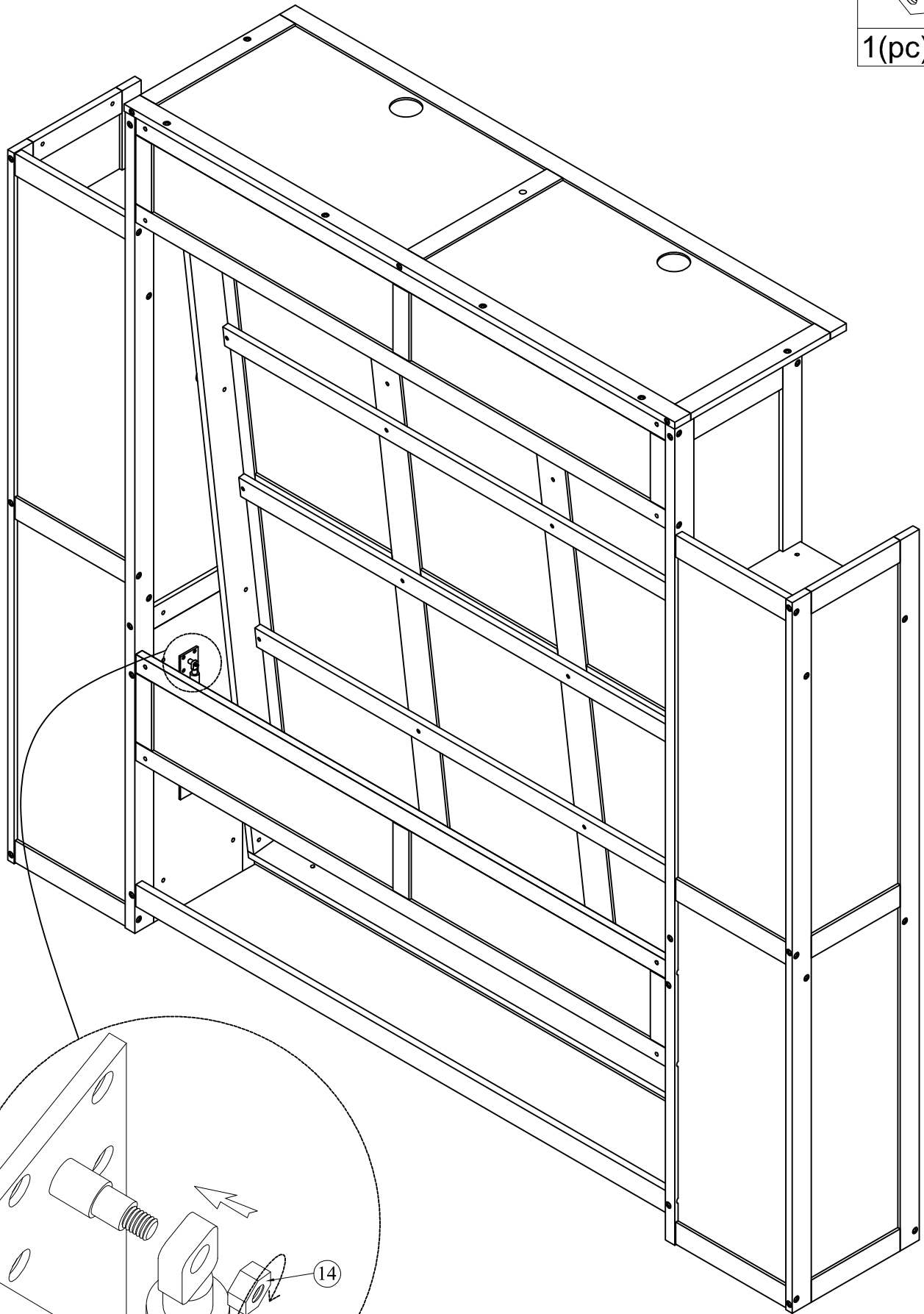


STEP43: Following below illustration.

14



1(pc)

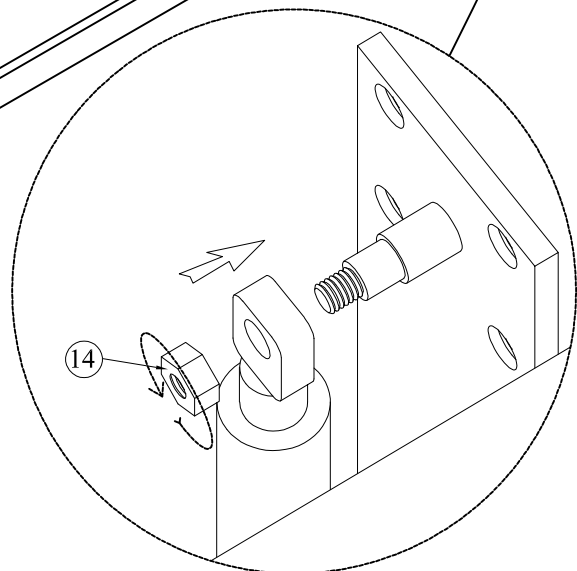
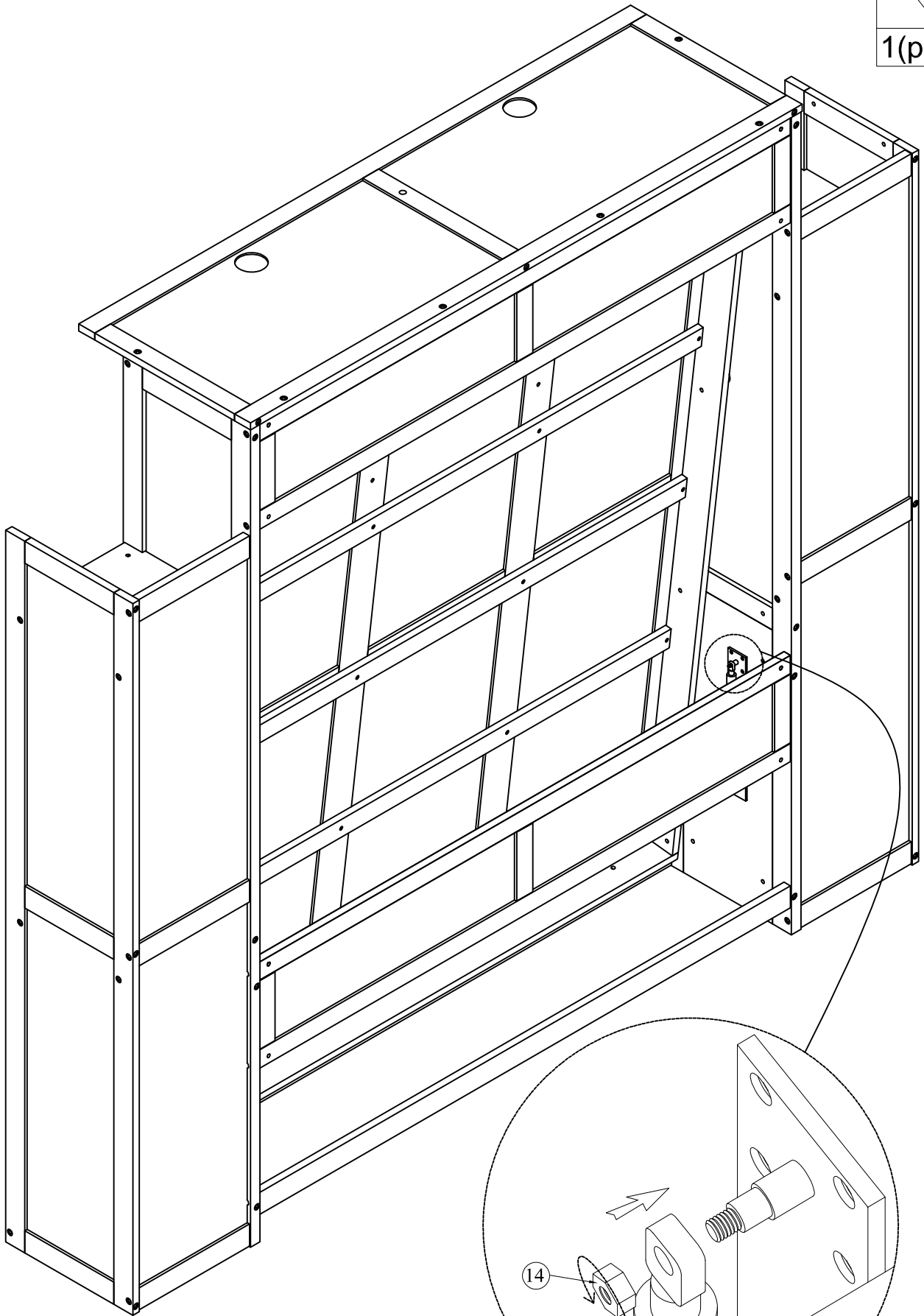


STEP44: Following below illustration.

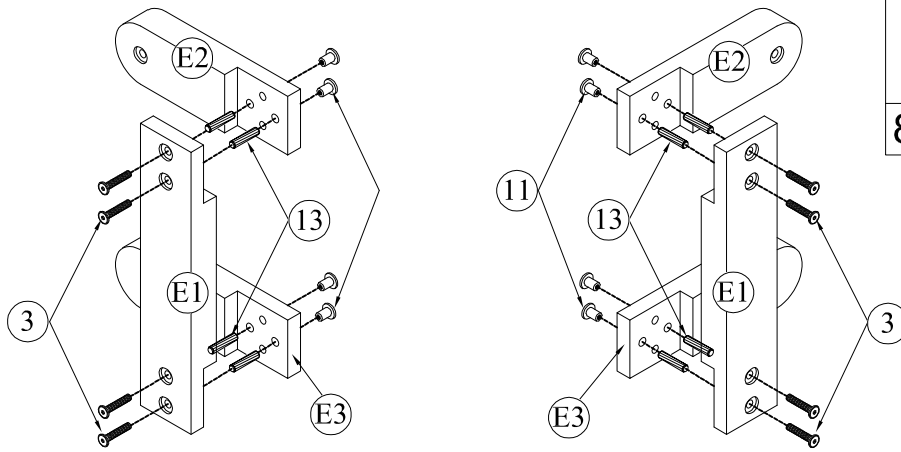
14


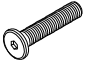
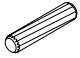


1(pc)

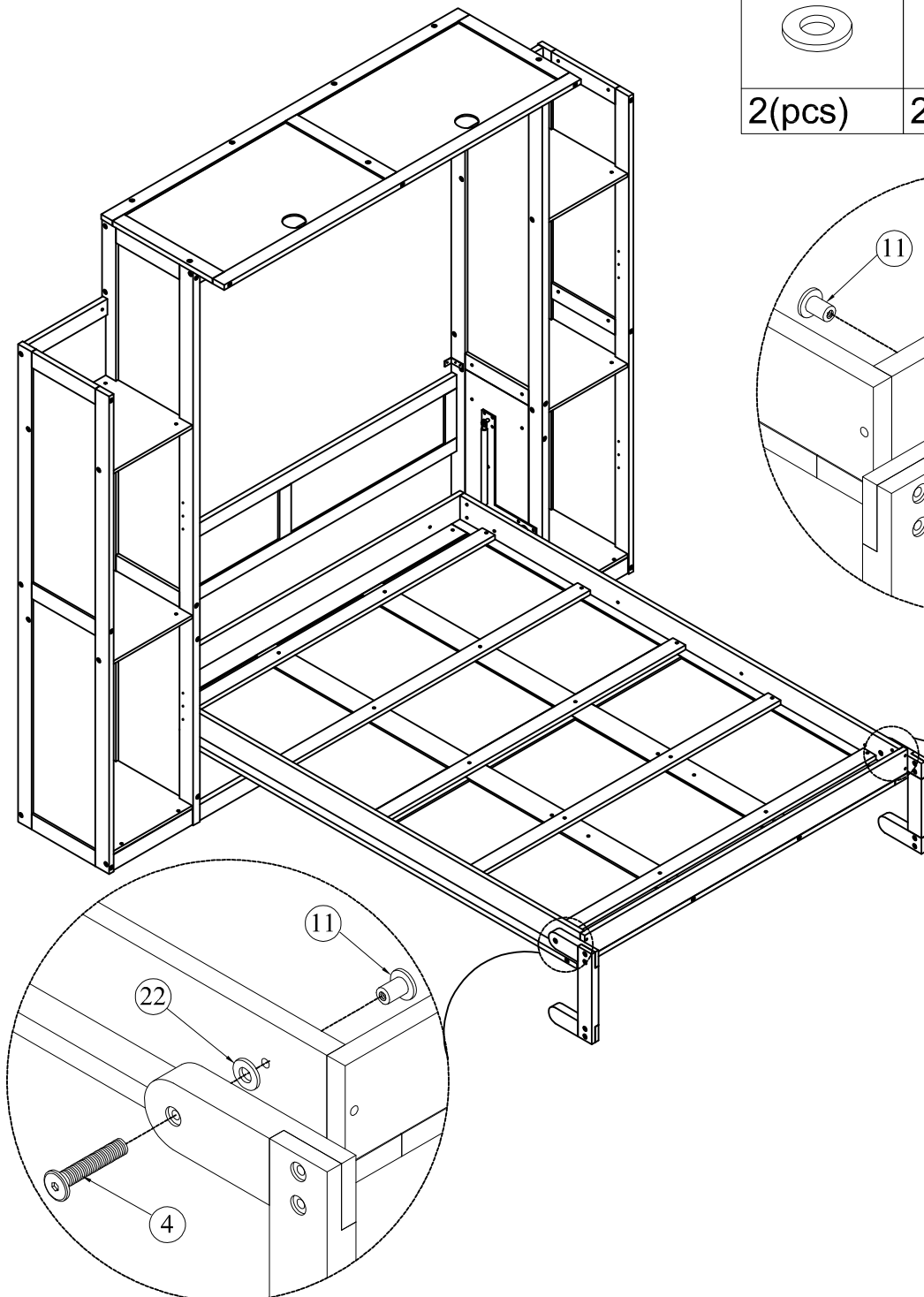




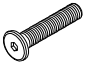
STEP45: Following below illustration.



11	3
	
8(pcs)	8(pcs)
	13
	
	8(pcs)

STEP46: Following below illustration.

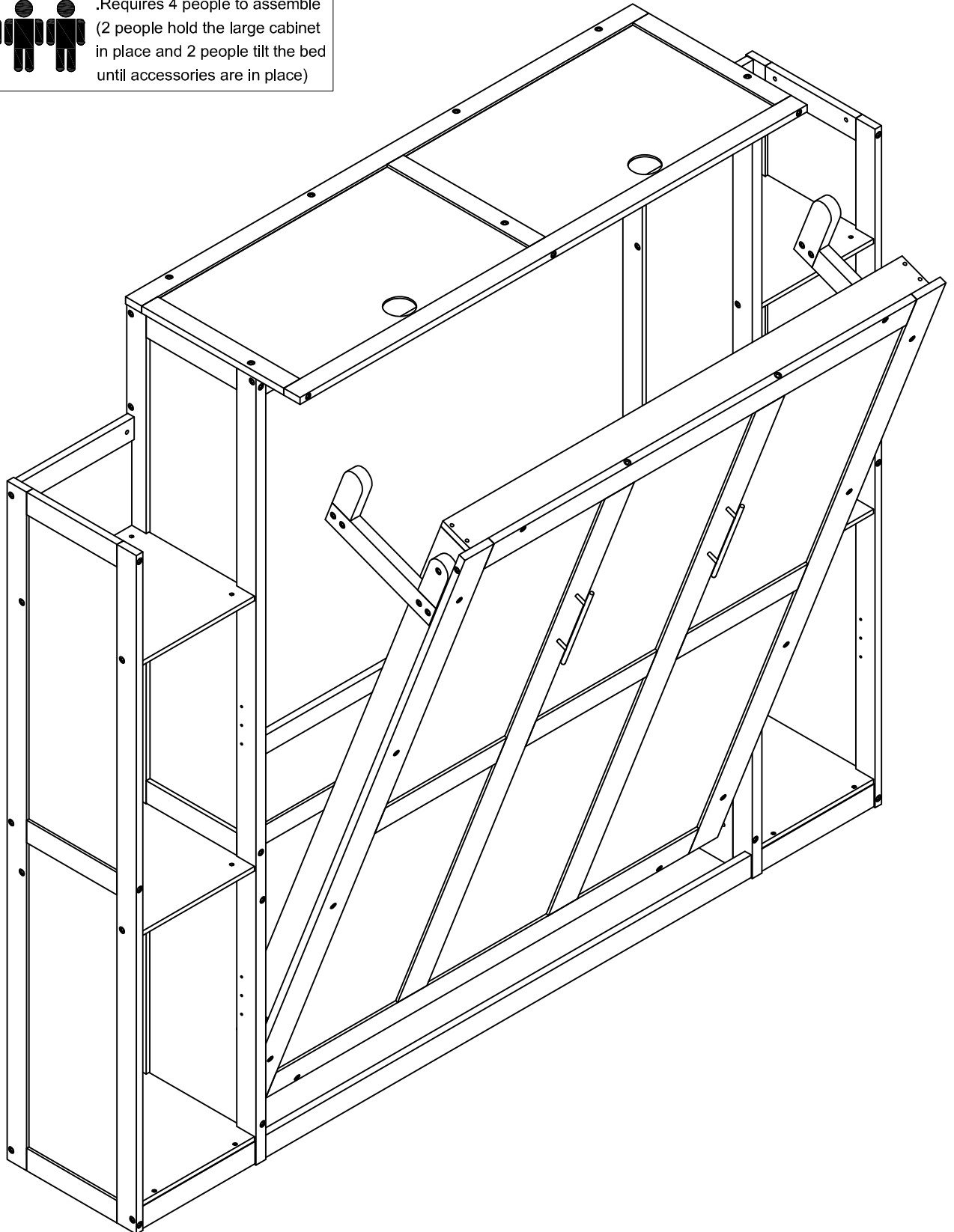


22	11	4
		
2(pcs)	2(pcs)	2(pcs)

STEP47: Following below illustration.

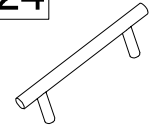


.Requires 4 people to assemble
(2 people hold the large cabinet
in place and 2 people tilt the bed
until accessories are in place)



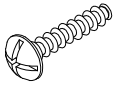
STEP48: Following below illustration.

24

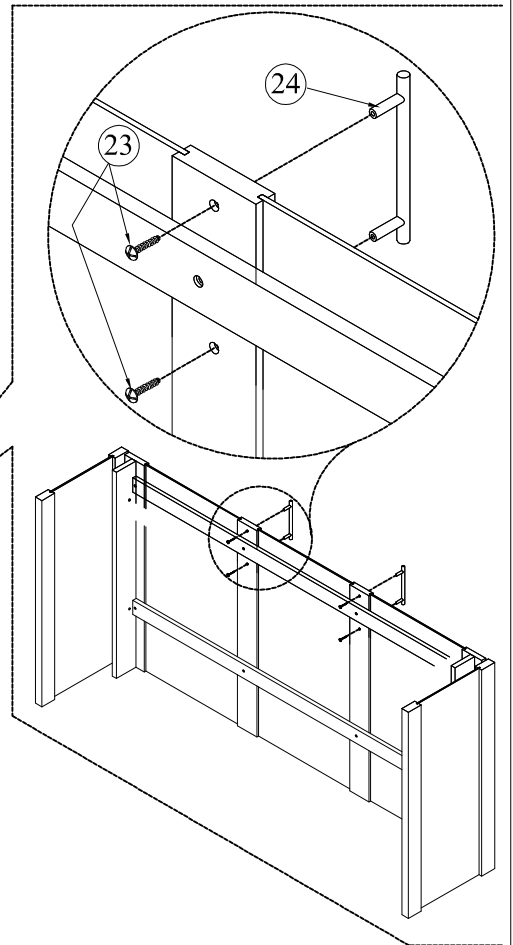
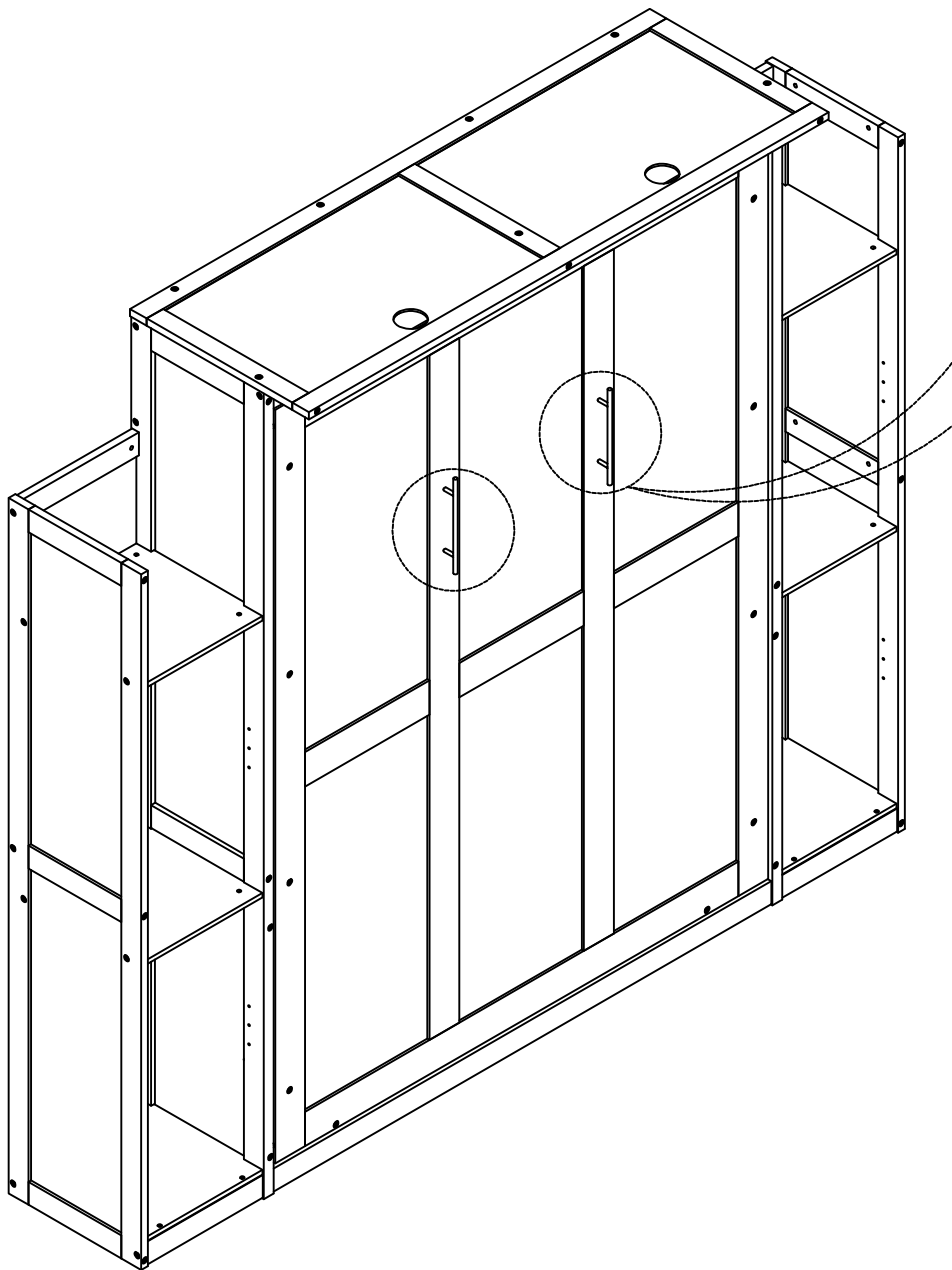


2(pcs)

23



4(pcs)



STEP49: Following below illustration.

27

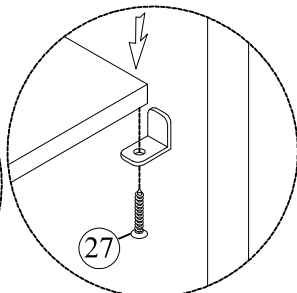
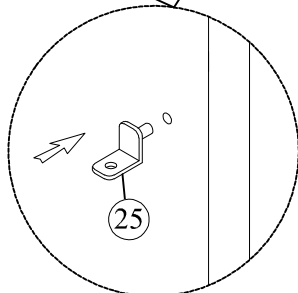
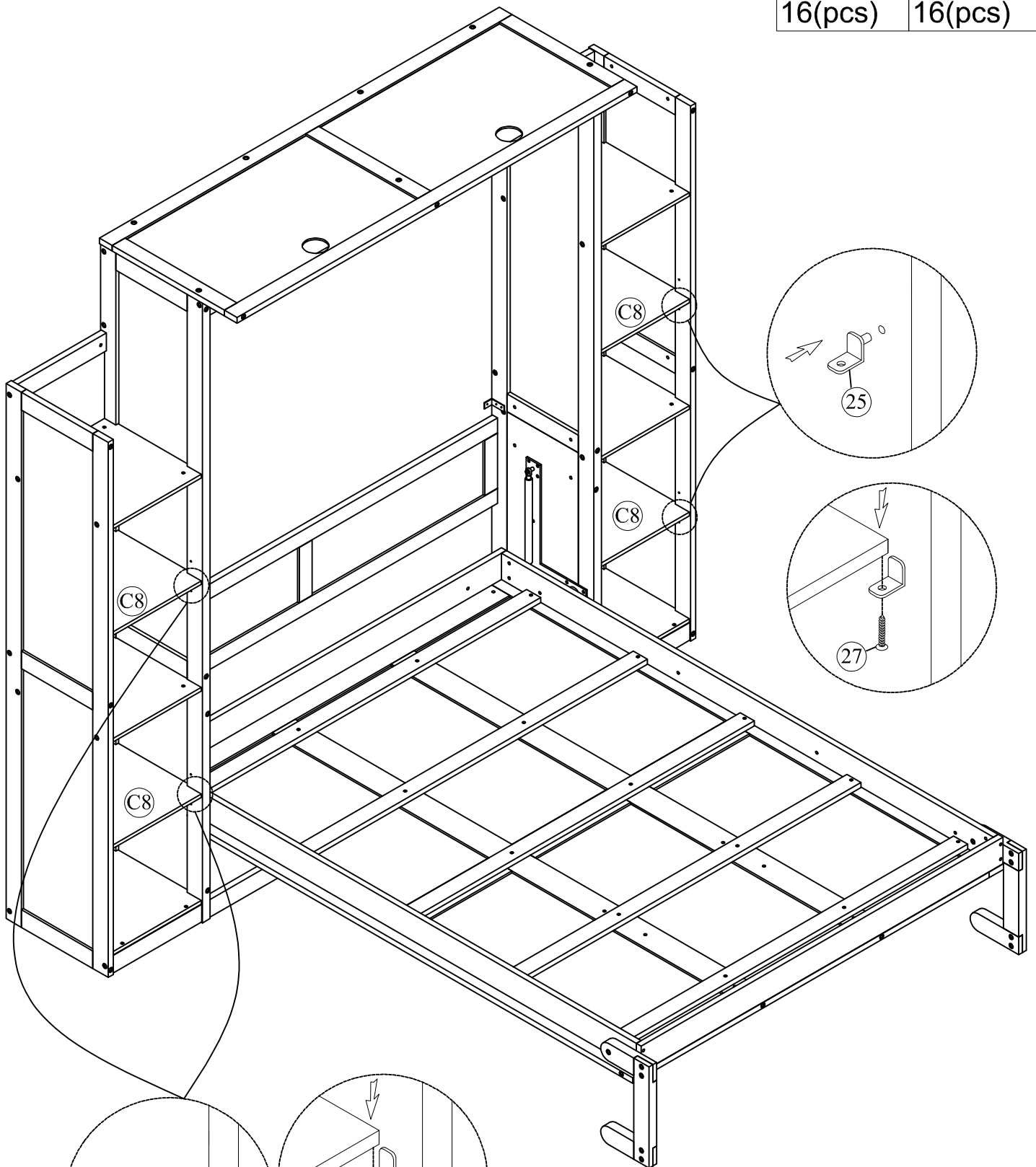


16(pcs)

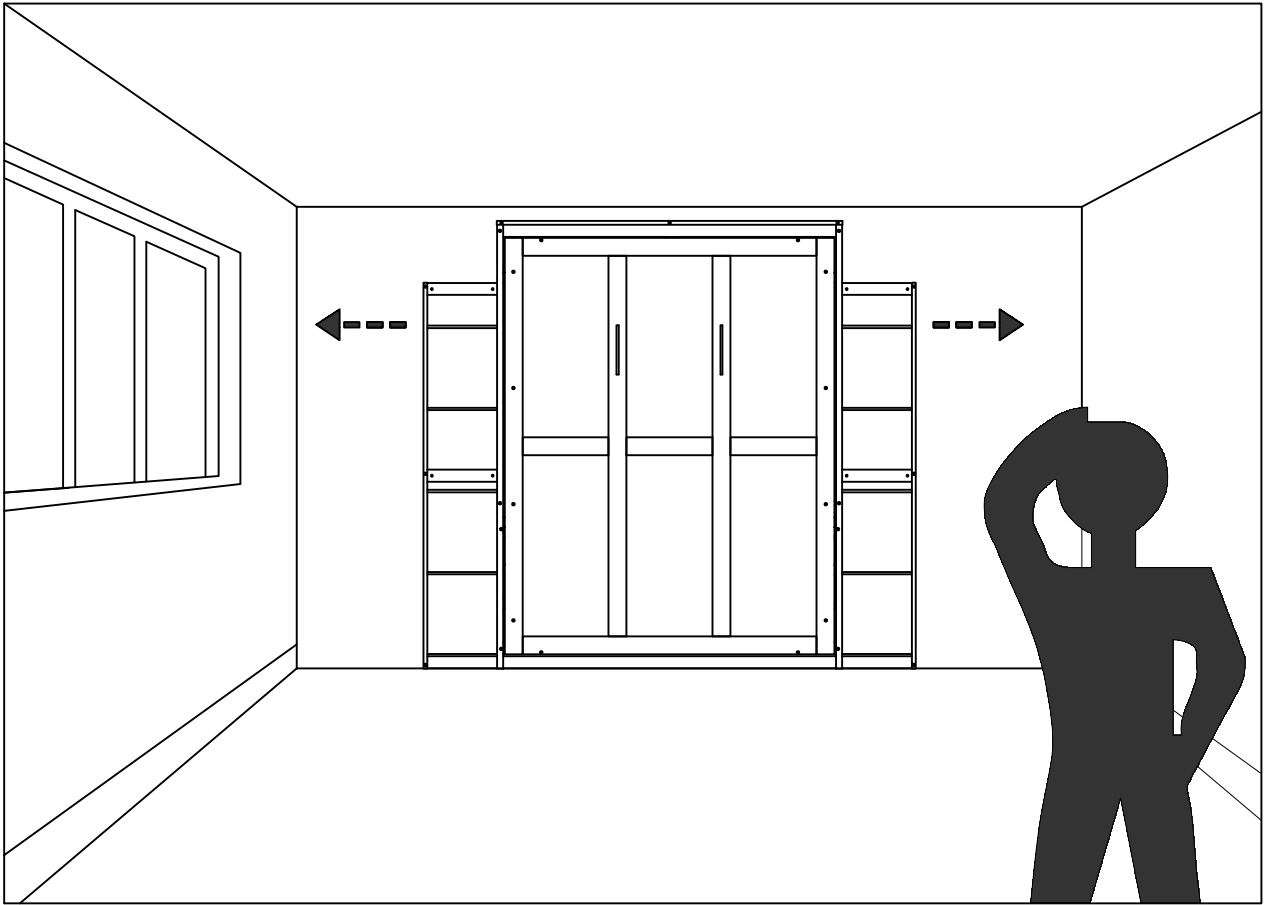
25



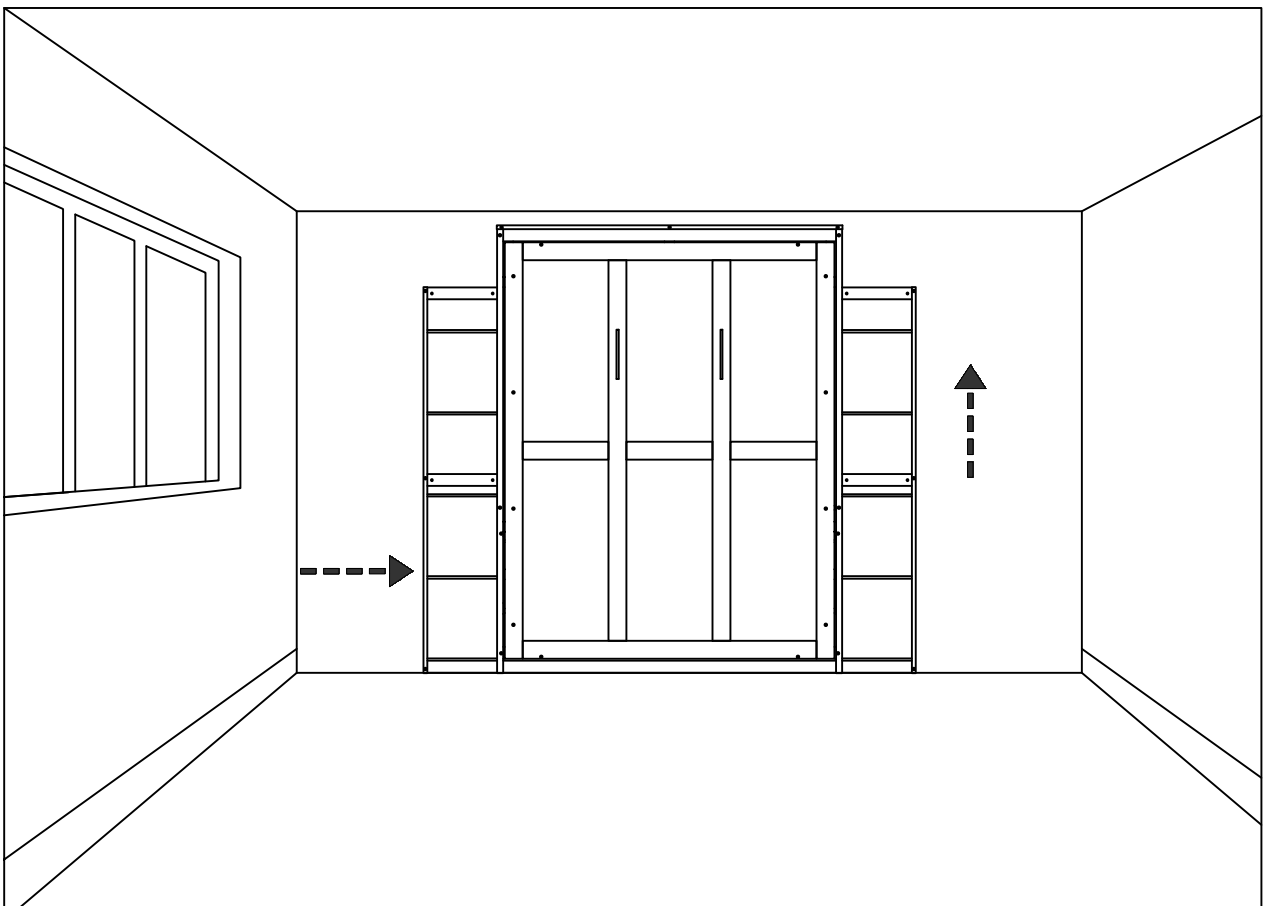
16(pcs)



1- Determine the position of the bed in the room.

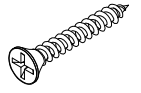


2- Put the bed back in its place. Please keep it vertical and horizontal.



STEP50: Following below illustration.

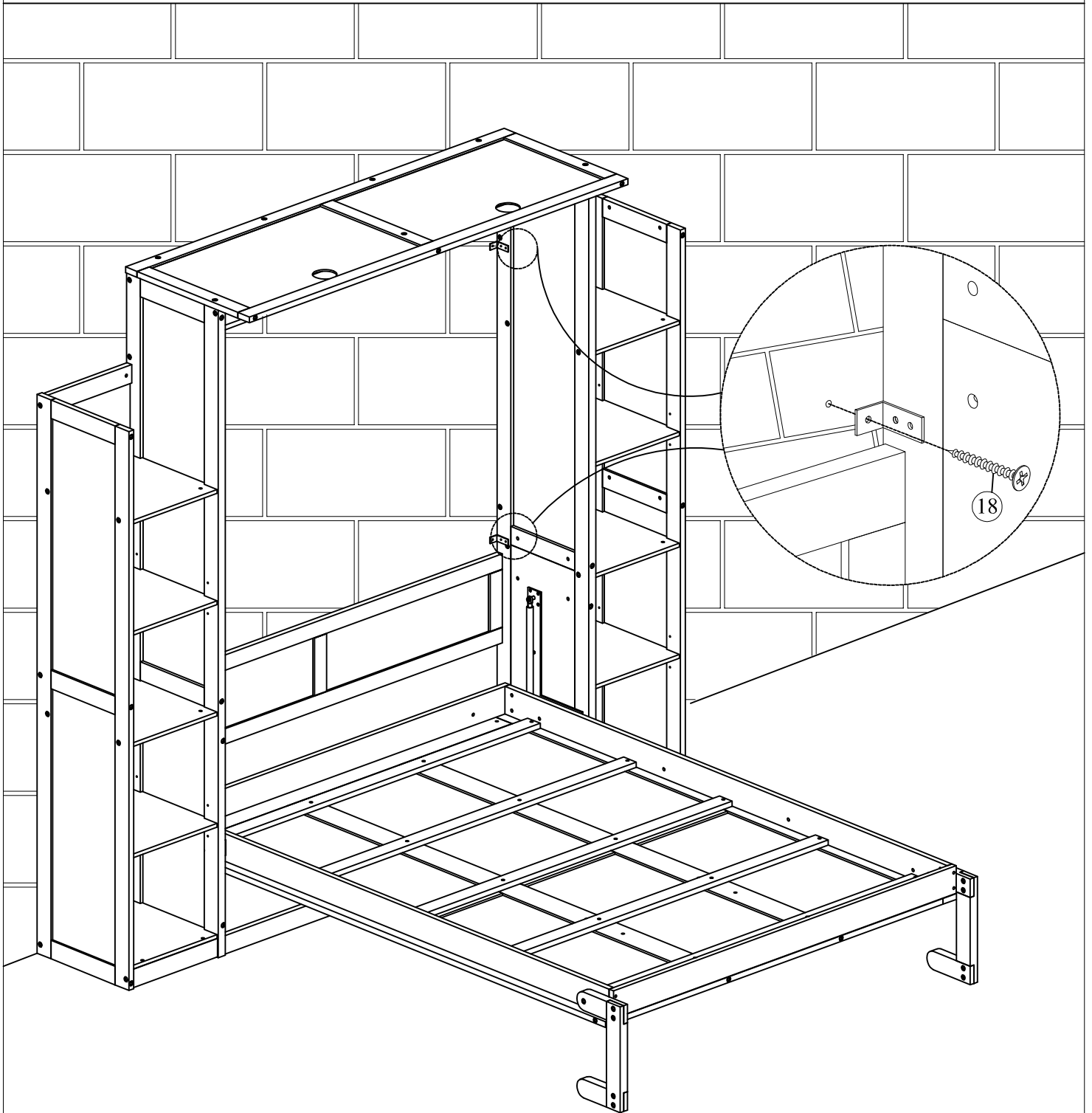
18



2(pcs)

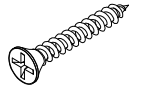


.Requires 4 people to assemble
(2 people hold the large cabinet
in place and 2 people tilt the bed
until accessories are in place)



STEP51: Following below illustration.

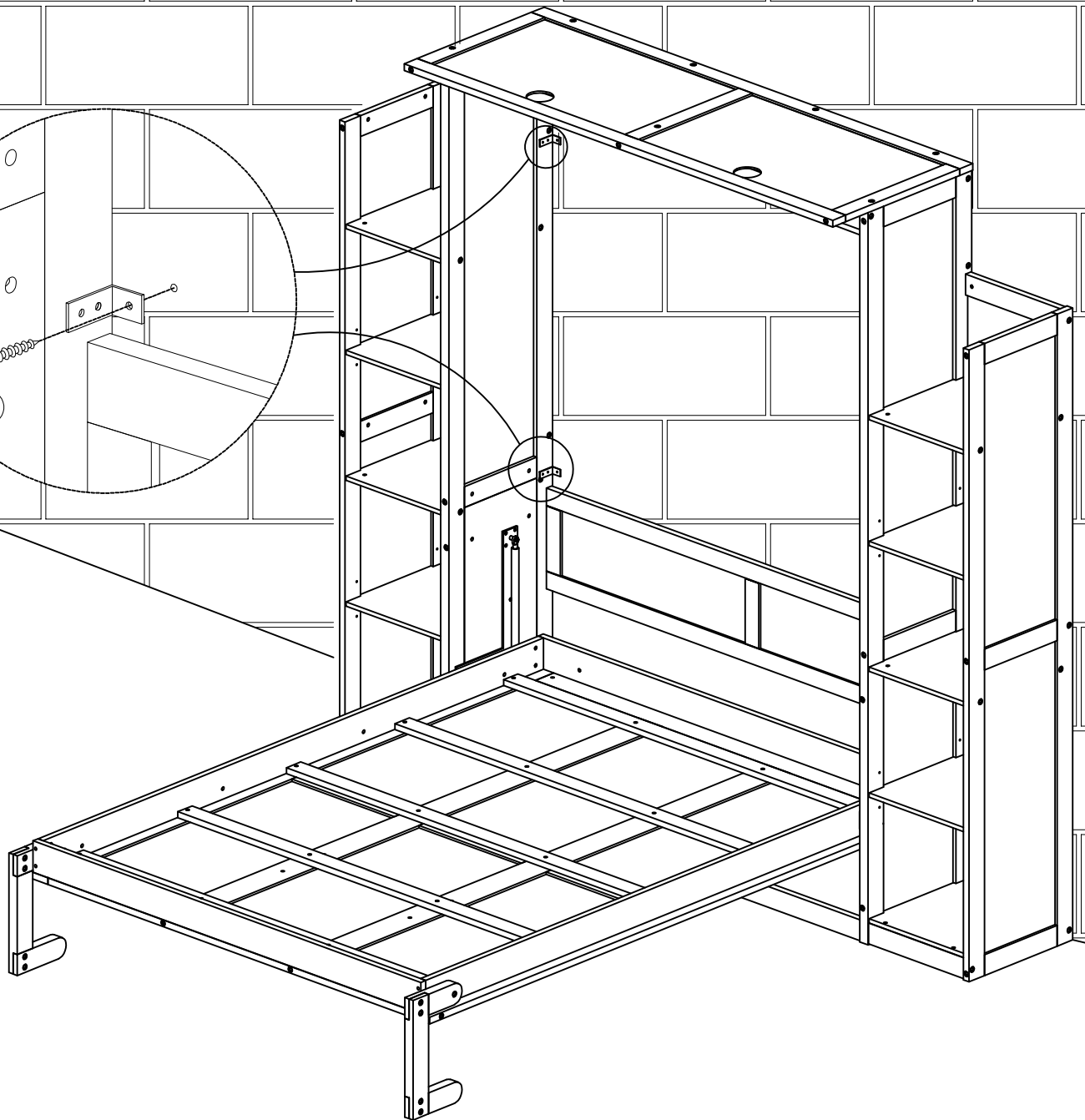
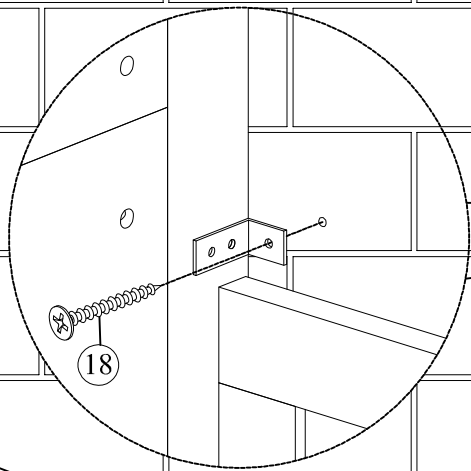
18



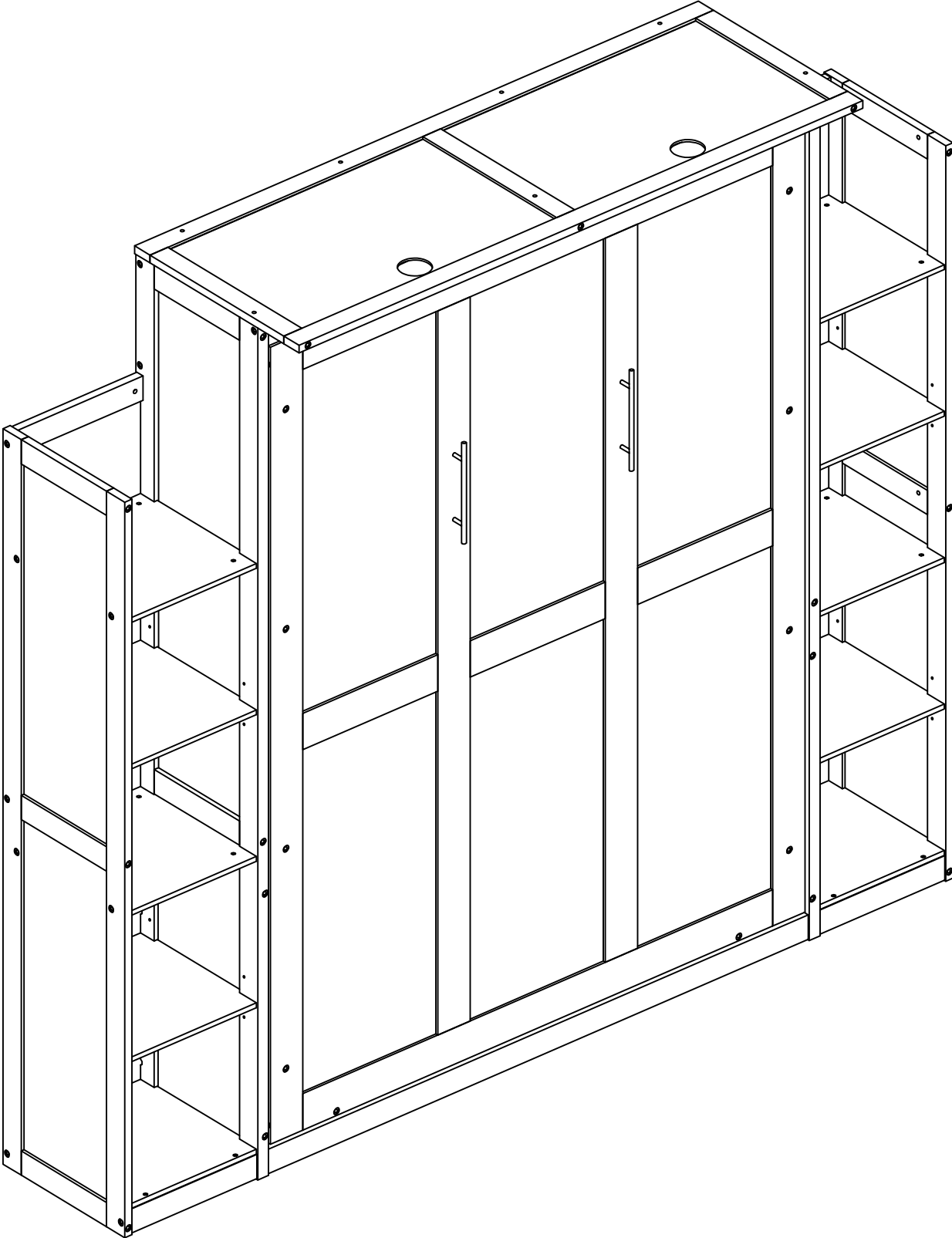
2(pcs)



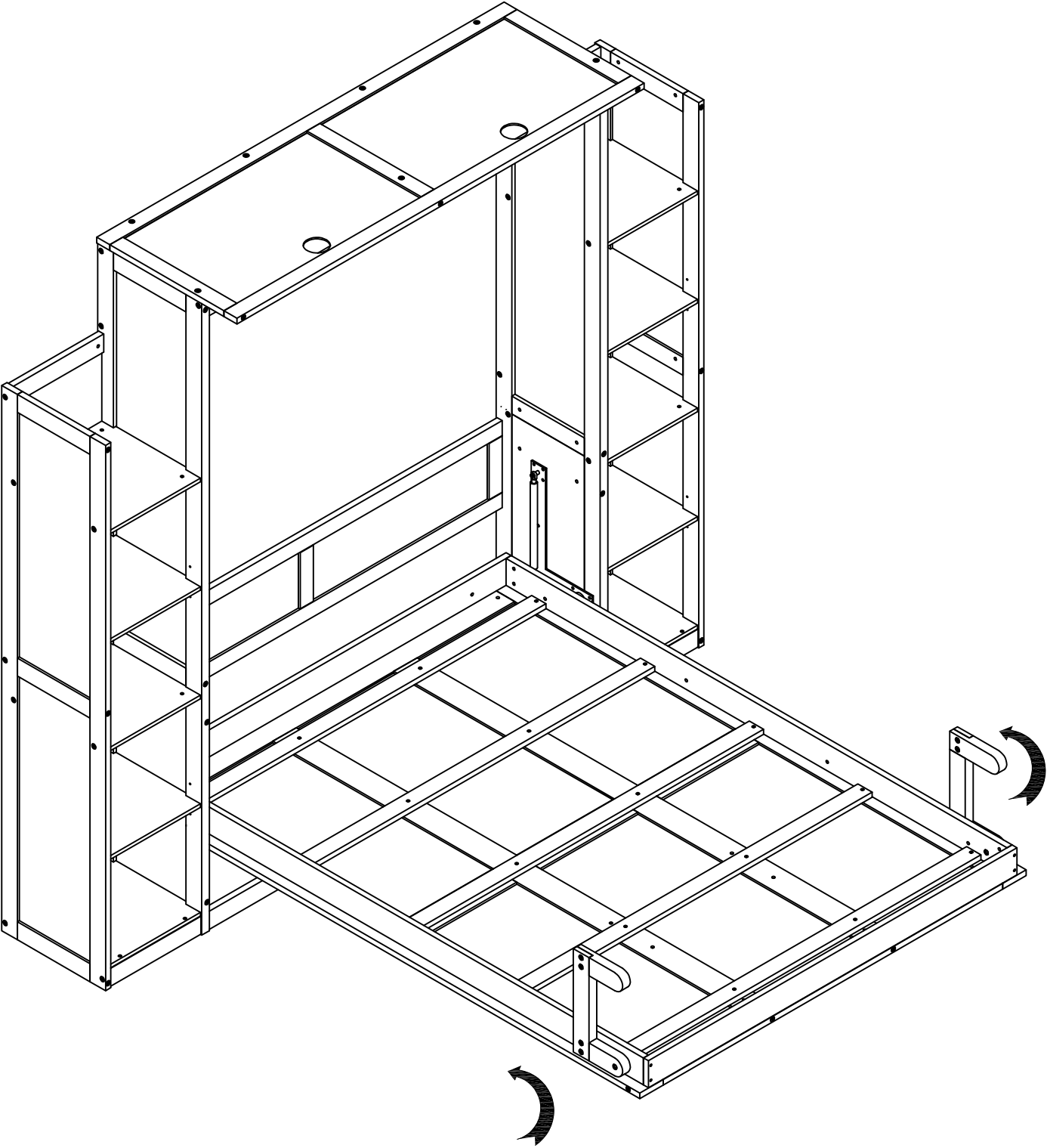
.Requires 4 people to assemble
(2 people hold the large cabinet
in place and 2 people tilt the bed
until accessories are in place)



OPTION 2



STEP 1: Following below illustration.



STEP2: Following below illustration.

