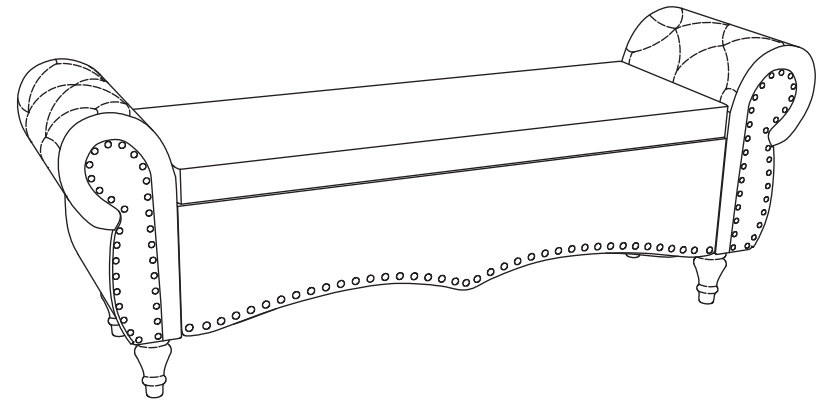


STORAGE OTTOMAN

ASSEMBLY INSTRUCTION



If you have any questions, feel free to email us.

THANK YOU

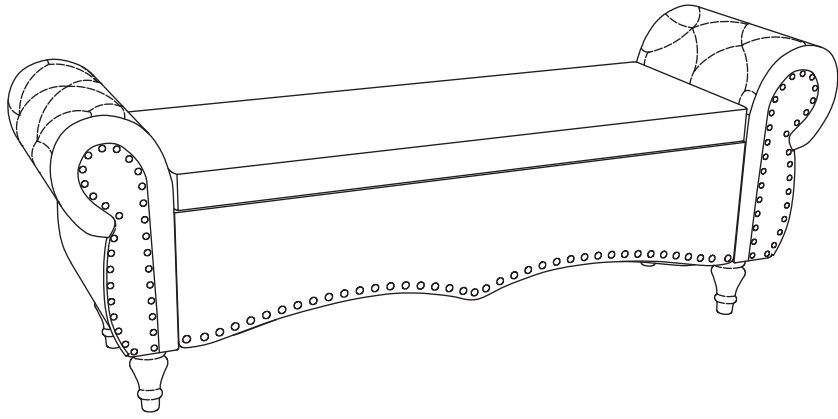
Register and Get the Full Benefit

It's our way of saying thank you.

Register your product to enjoy a number of benefits:

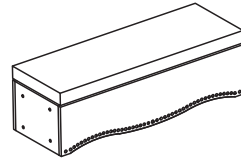
- (1) 1-year warranty extension
- (2) 24/7 quicker service and product support
- (3) Chance to test new products for free
- (4) Get specific discount on shop items

Assembly Instruction



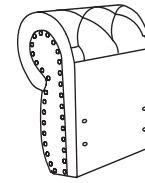
Assembly Instruction

A



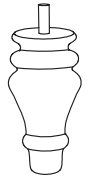
1PC

B



2PCS

C



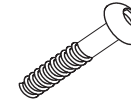
4PCS

D



4PCS

E



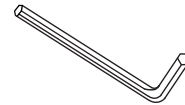
M8*50mm
8PCS

F



8PCS

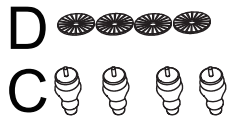
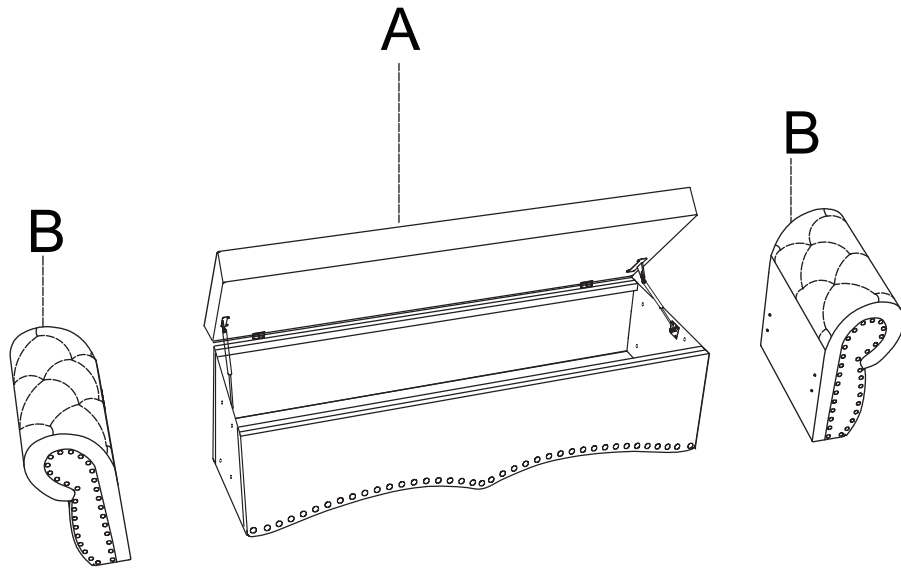
G



1PC

Please note: Check and make sure you get the components on the list, contact us for any missing

Assembly Instruction



2

Assembly Instruction

Step 1

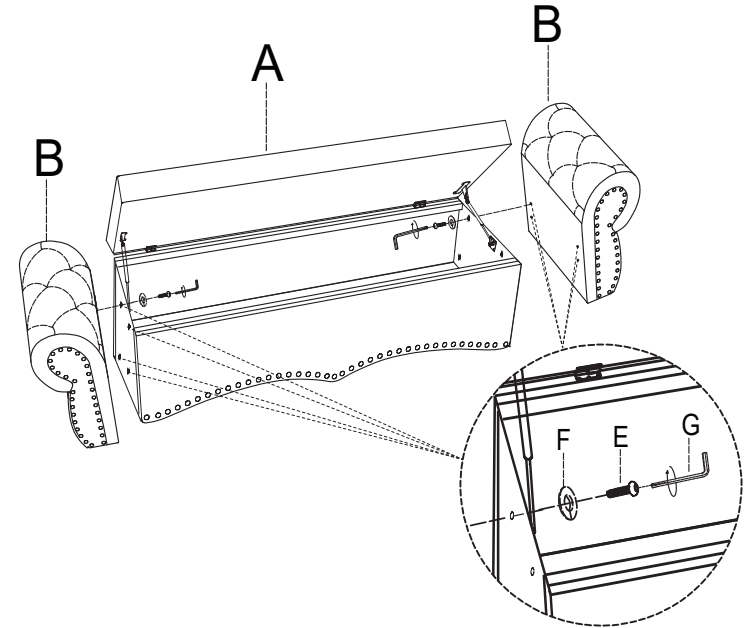
A*1

B*2

E*8

F*8

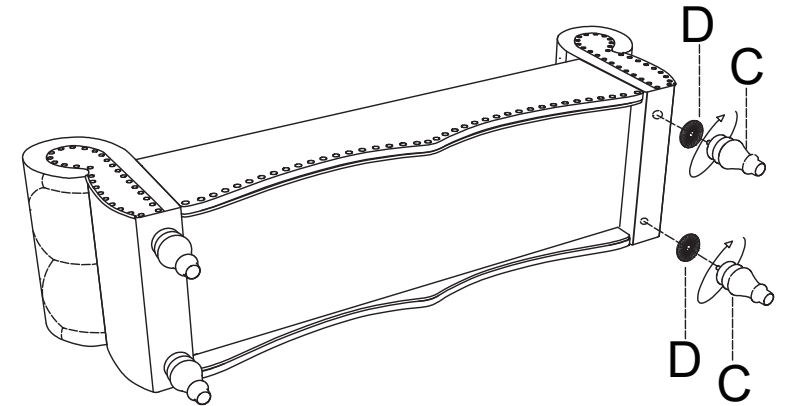
G*1



Step 2

C*4

D*4



3