






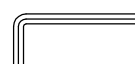
# GLOBAL VIEWS

DALLAS, TEXAS

## ARGENTO BED-KING Assembly instructions

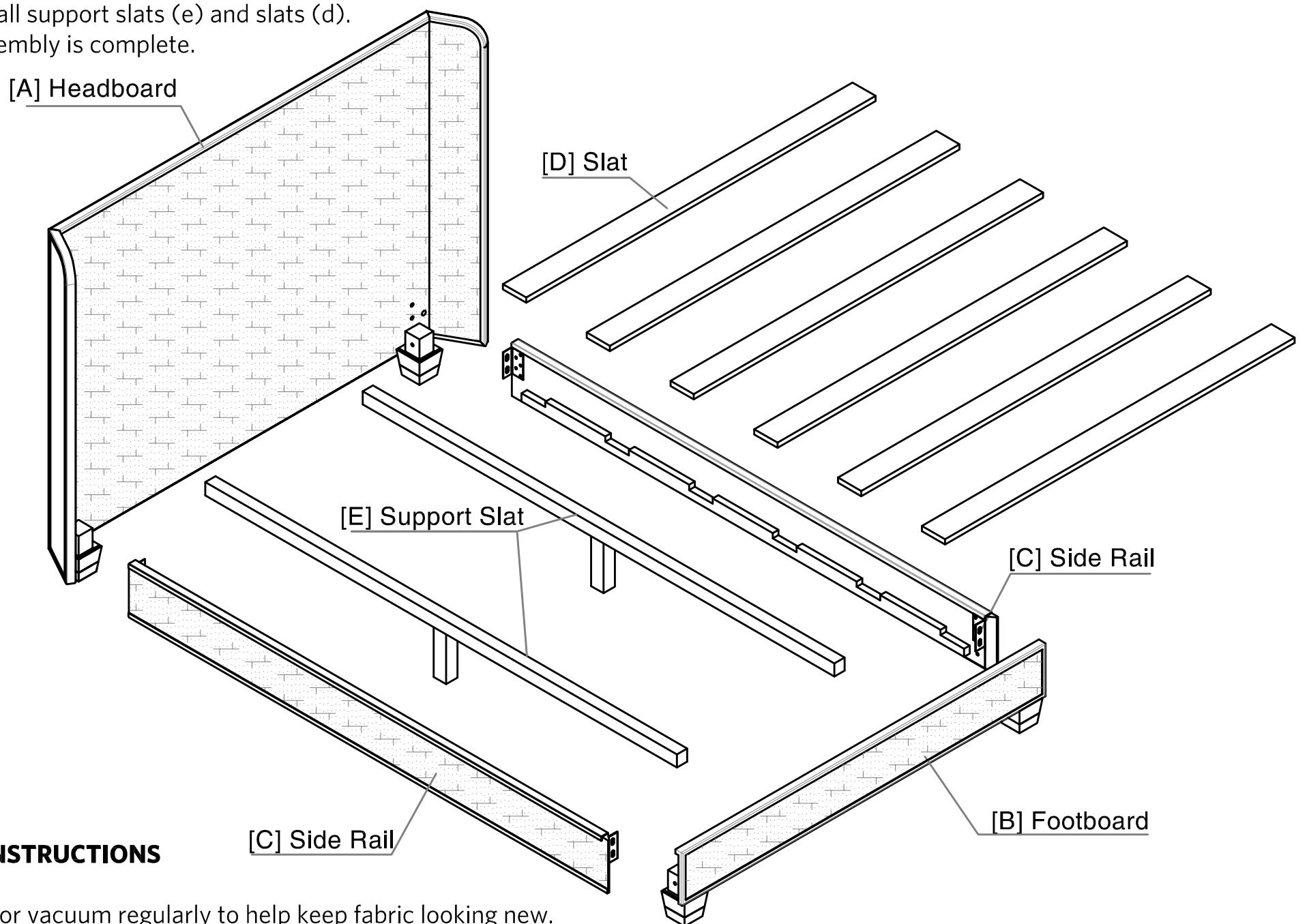
### PARTS INCLUDED

- A [1] HEADBOARD
- B [1] FOOTBOARD
- C [2] SIDE RAIL
- D [6] SLAT
- E [1] SUPPORT SLAT

| NO. | ITEM   | DESCRIPTION         | QTY.    |
|-----|--|---------------------|---------|
| 1   |   | Steel Bolts M8 x 80 | 4 pcs.  |
| 2   |   | Steel bolt M6X25    | 8 pcs.  |
| 3   |   | Flat washer Ø8      | 4 pcs.  |
| 4   |   | Flat washer Ø6.5    | 8 pcs.  |
| 5   |   | Spring washer Ø8    | 12 pcs. |
| 6   |  | Allen key 4         | 1 pc.   |

### ASSEMBLY INSTRUCTIONS

1. Unpack all parts, and place them on a protected work surface.
2. Install side rails (c) into the headboard (a) by inserting the dowel on the side rail into the corresponding hole in the headboard then using steel bolt (1), flat washer (3) and spring washer (4) and allen key (5) to install. do not fully tightened.(Detail a)
3. Do same step 3 to install side rails (c) into footboard (b).
4. Install support slats (e) and slats (d).
5. Assembly is complete.



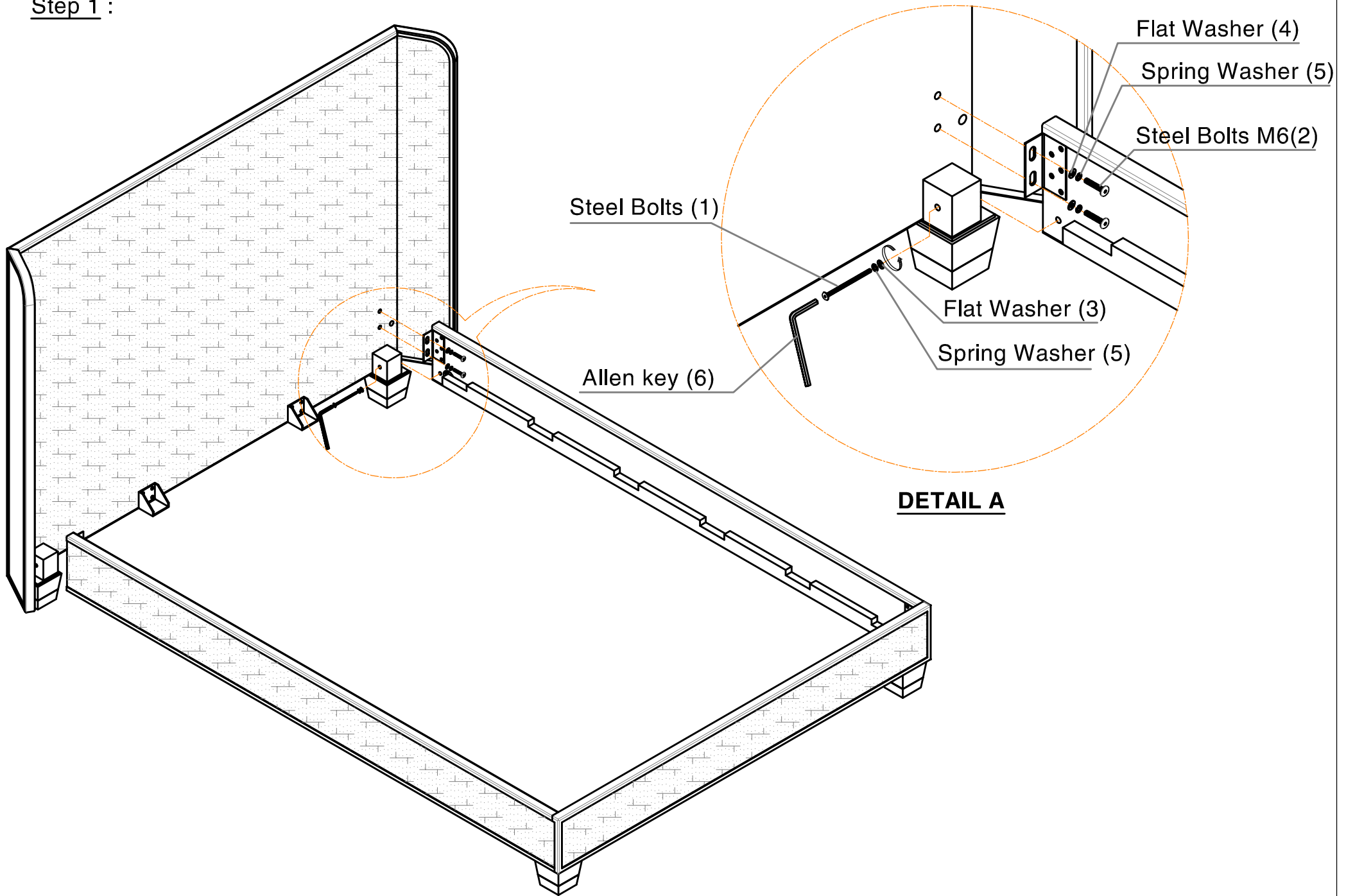
### CARE INSTRUCTIONS

Dust or vacuum regularly to help keep fabric looking new.  
To clean, use a soft dry or damp cloth.  
Do not use any abrasive cleaners.

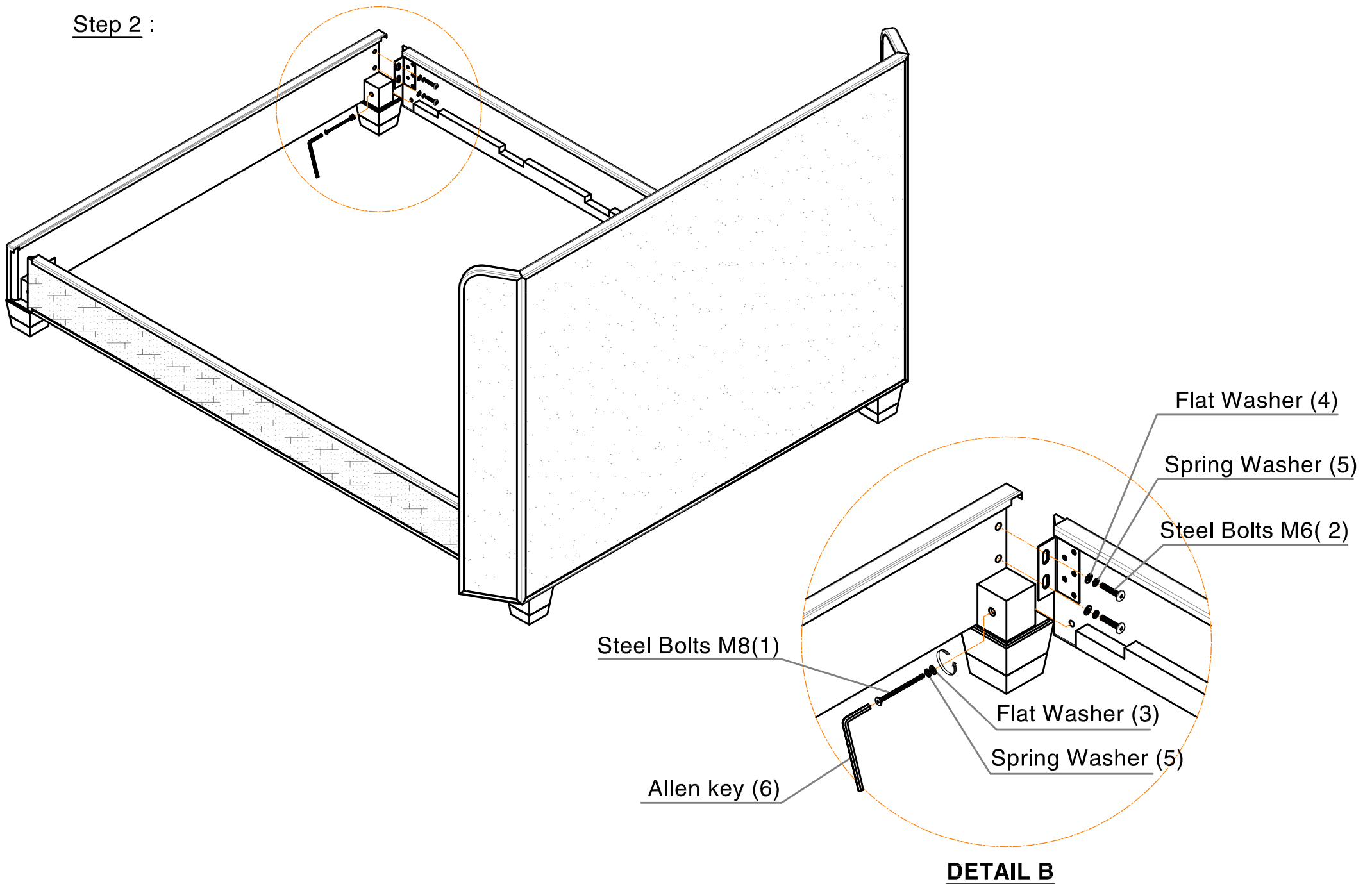
### IMPORTANT SAFETY INSTRUCTIONS

Professional installation is strongly recommended.  
For your safety, it is recommended that two people assemble.  
These instructions are provided for your safety. It is important that they are read carefully and completely before installation of the fixture.

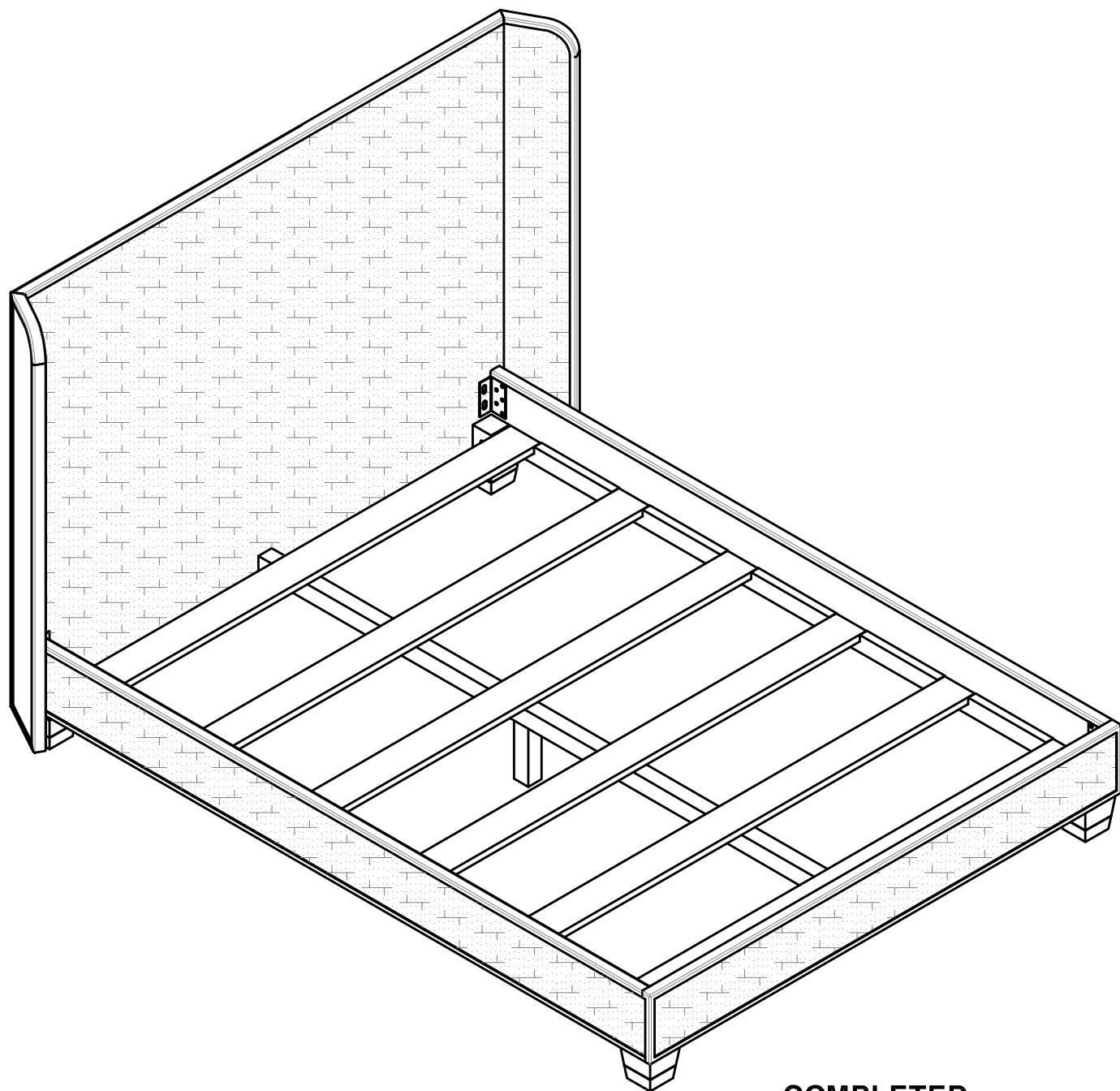
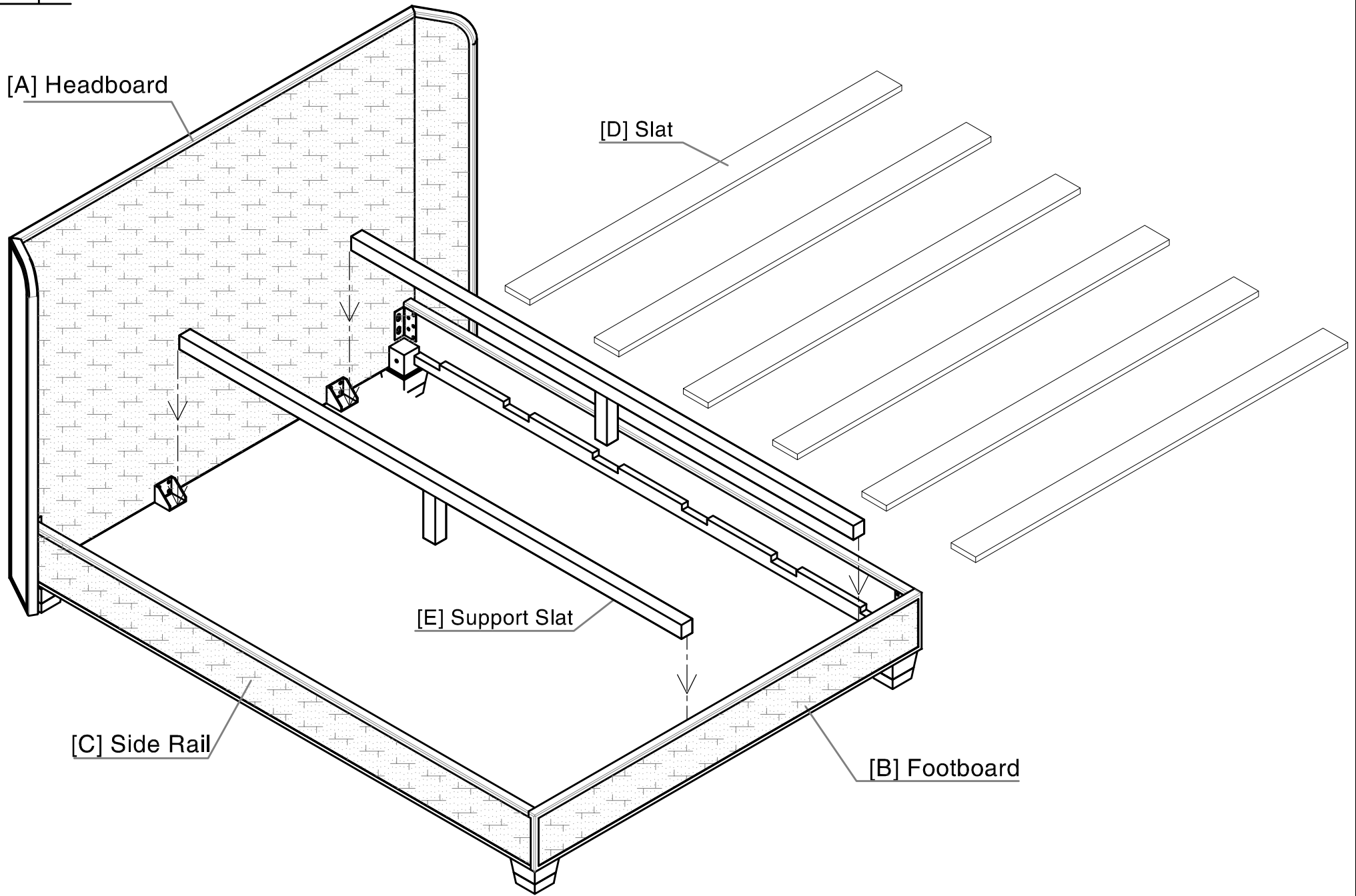
Step 1 :



Step 2 :



**Step 3 :**



**COMPLETED**