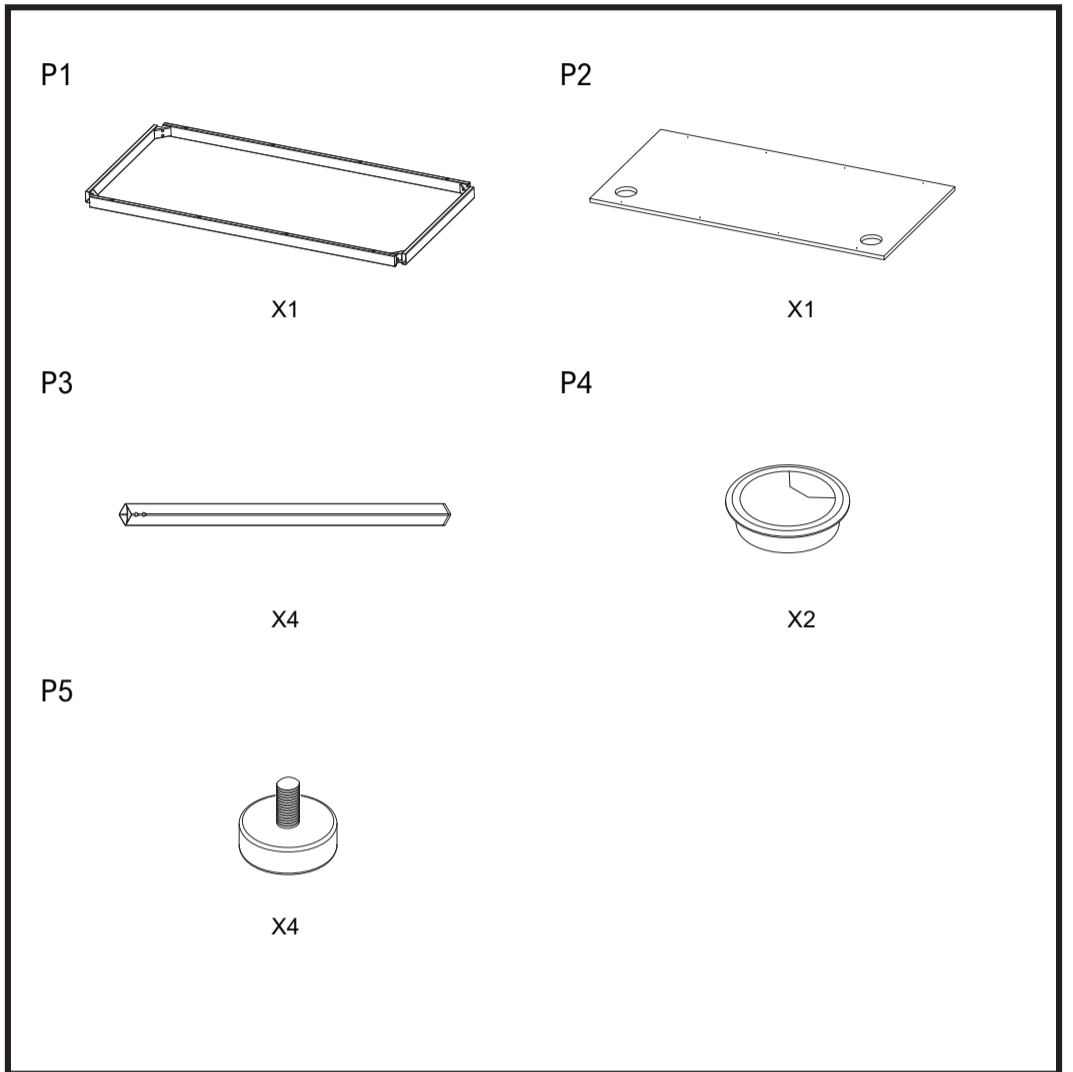
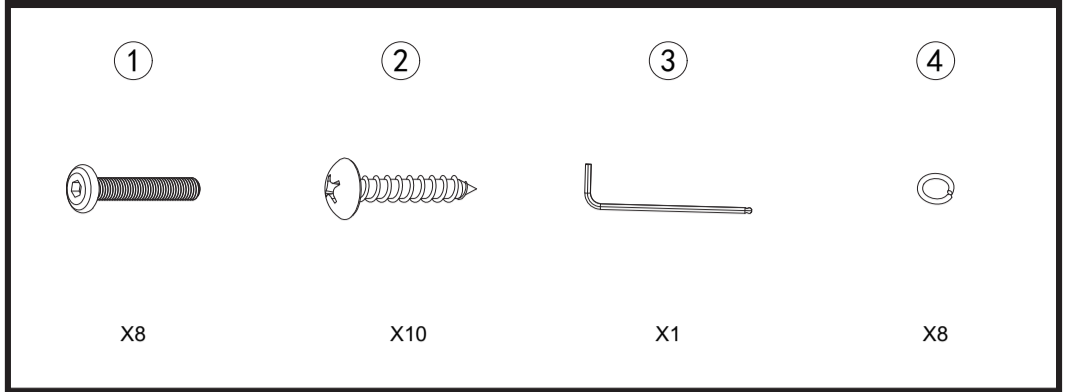
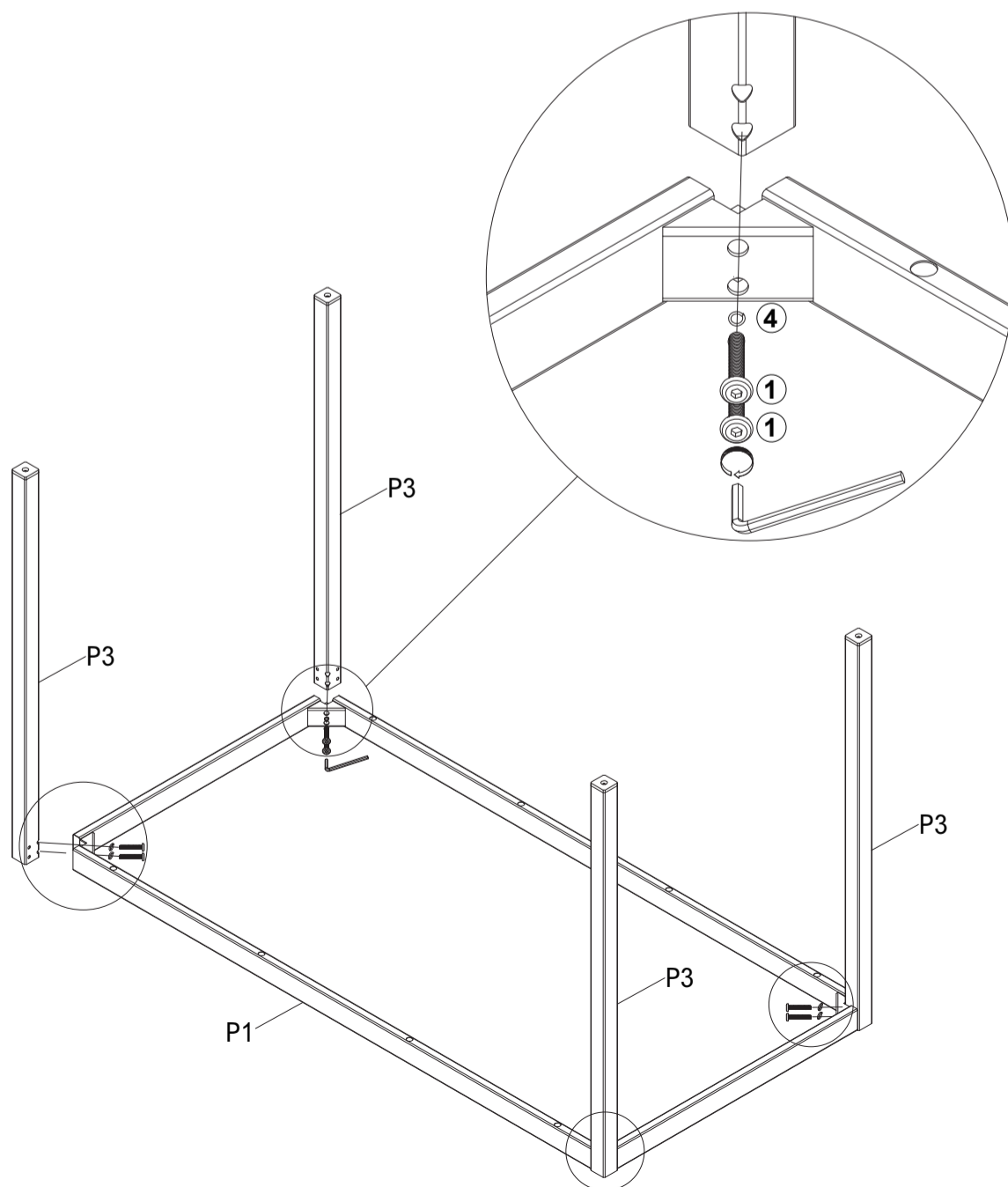
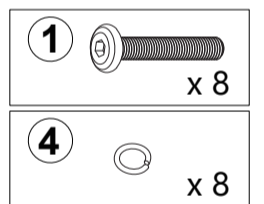


COMPONENT

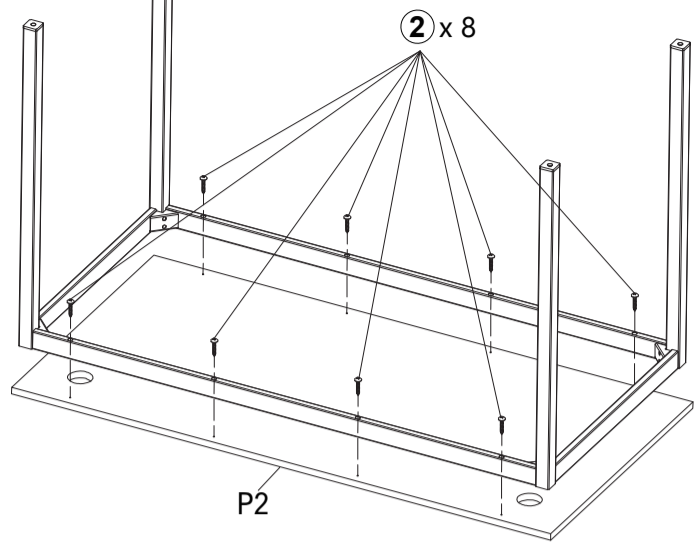
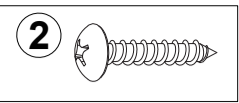
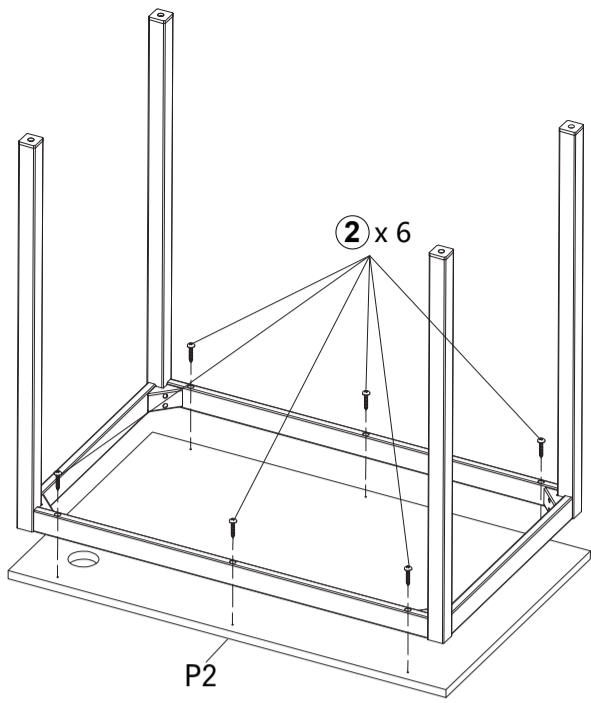


Caution: This instruction manual is intended for universal reference, slight variations in part dimensions are normal.

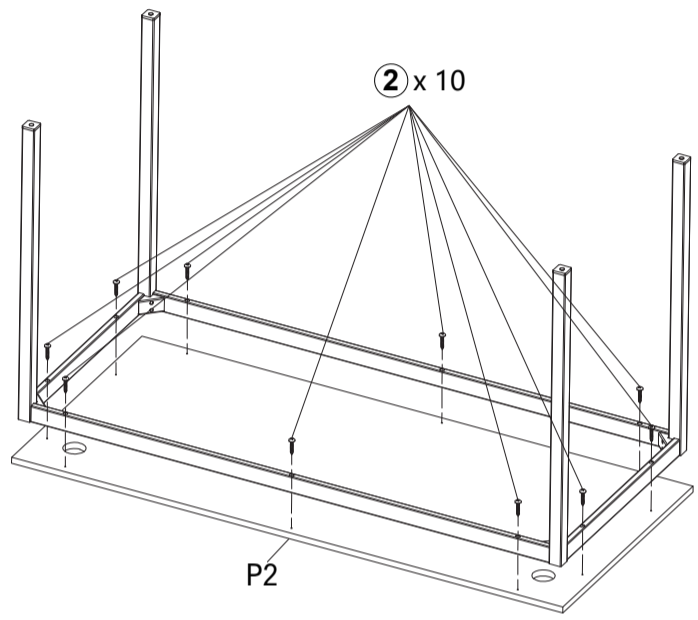
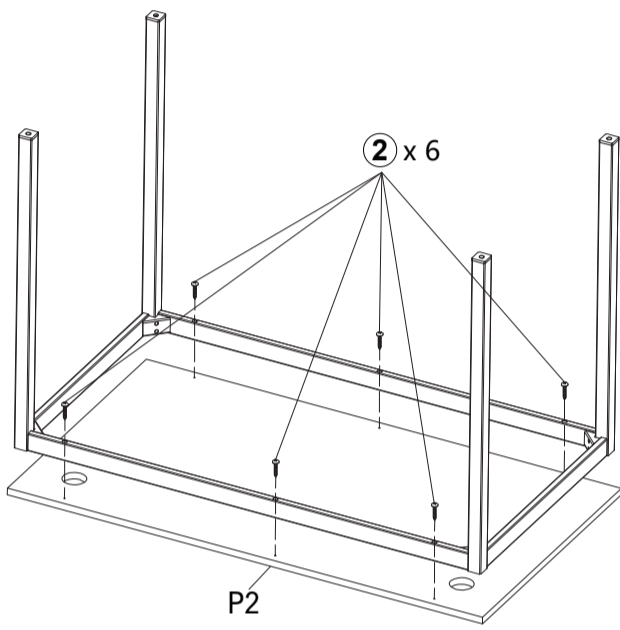
1



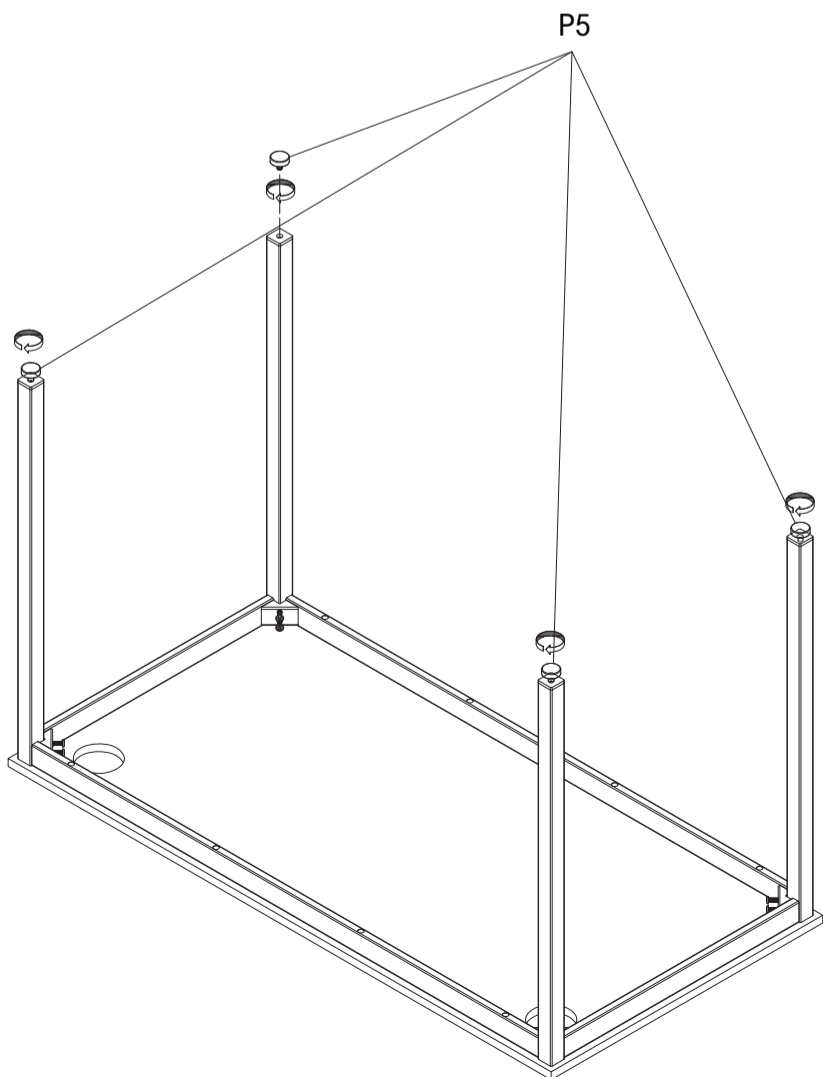
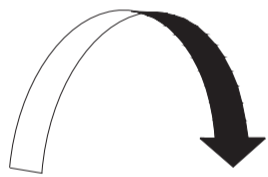
2



80 120
100 140



3



4

