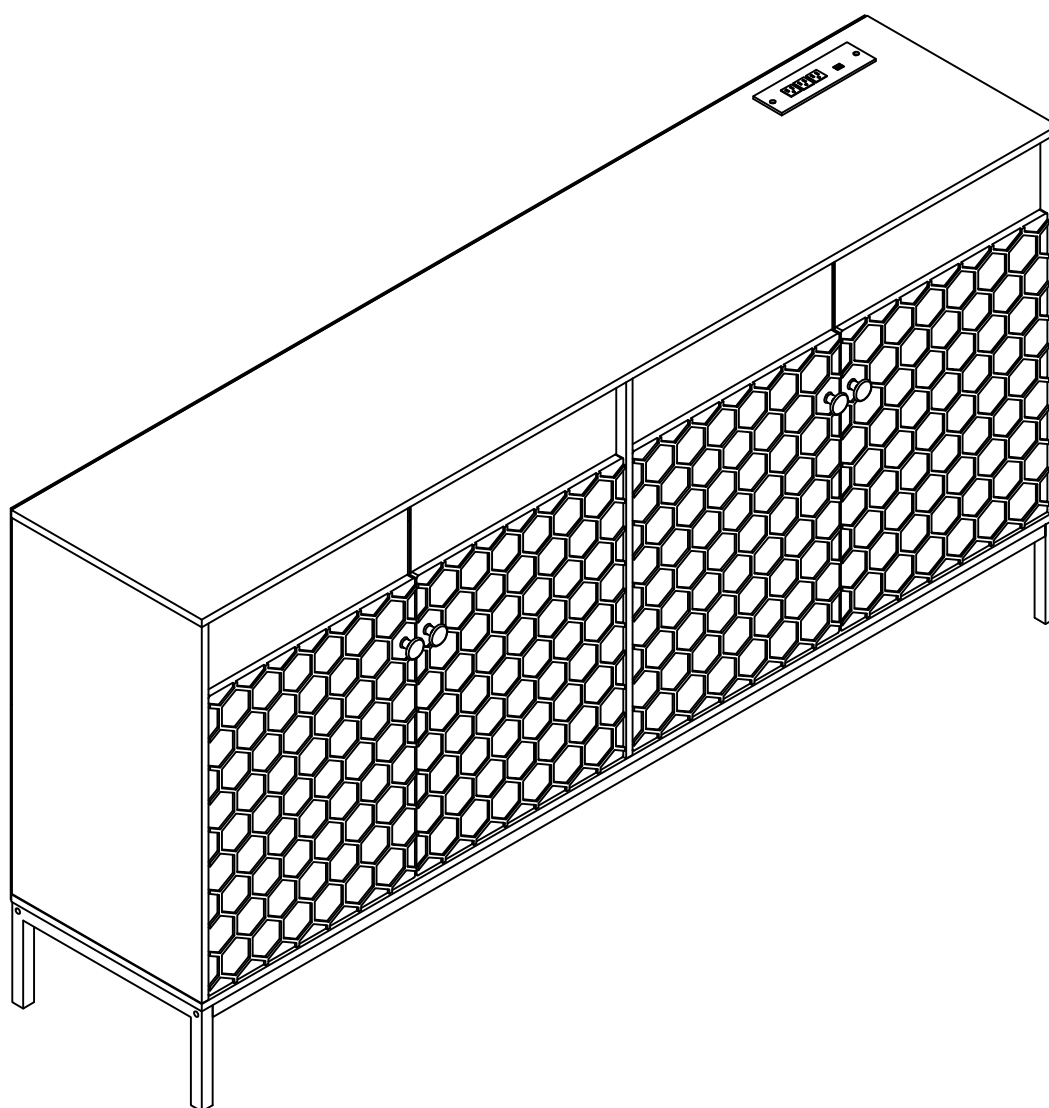
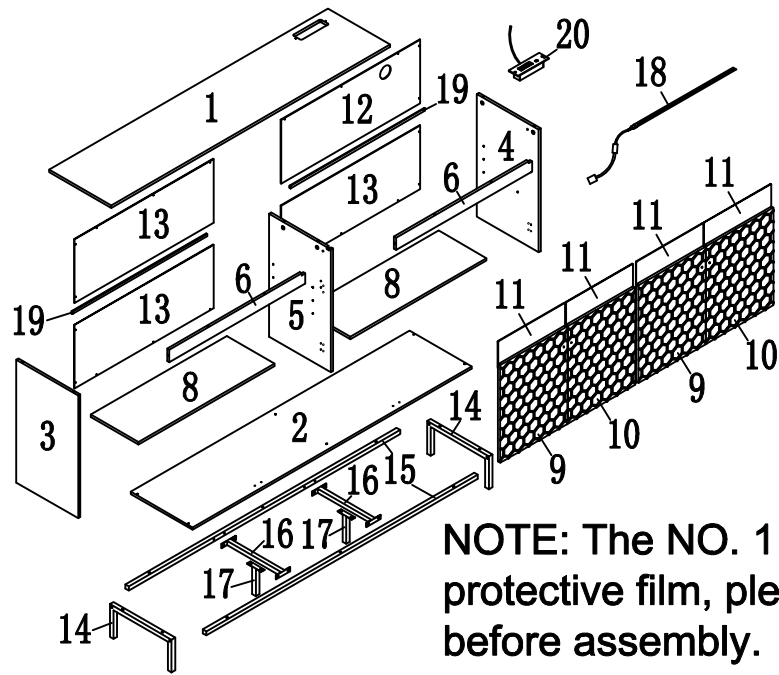


ASSEMBLY INSTRUCTION

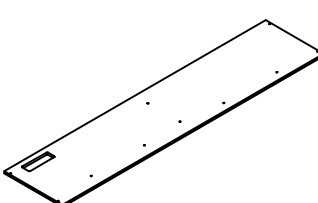
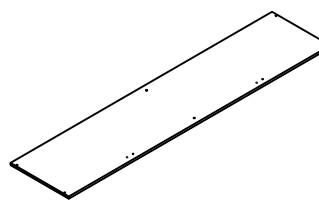
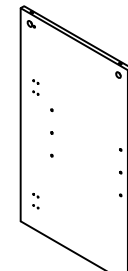
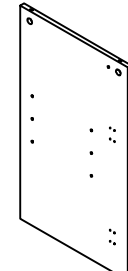
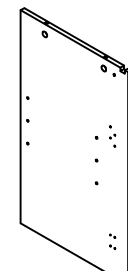
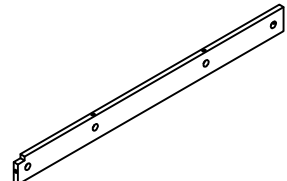
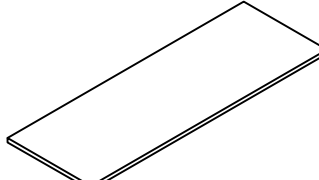
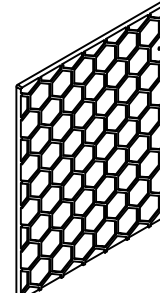
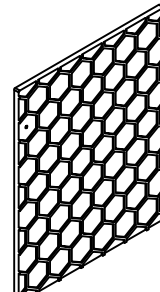
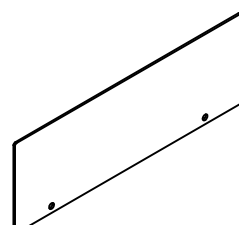
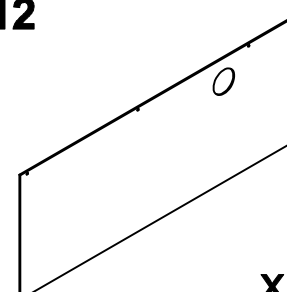
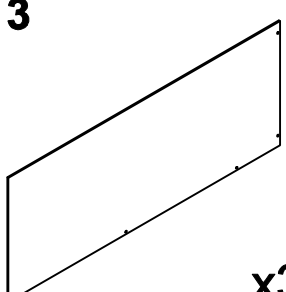
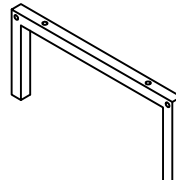
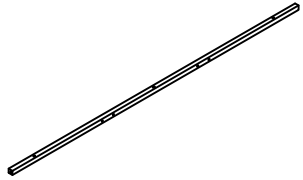
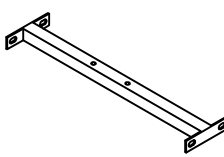
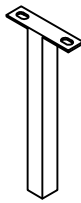


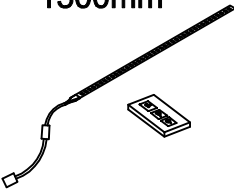
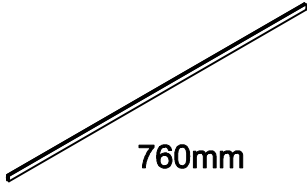
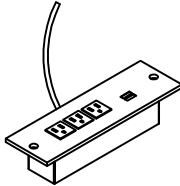
H020006-NB00

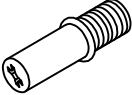
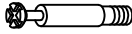

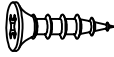

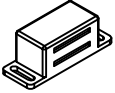
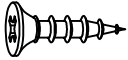

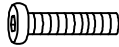
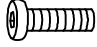
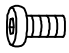
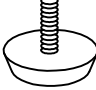
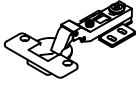

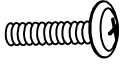
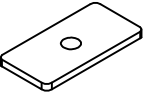
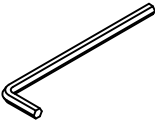



Packing List

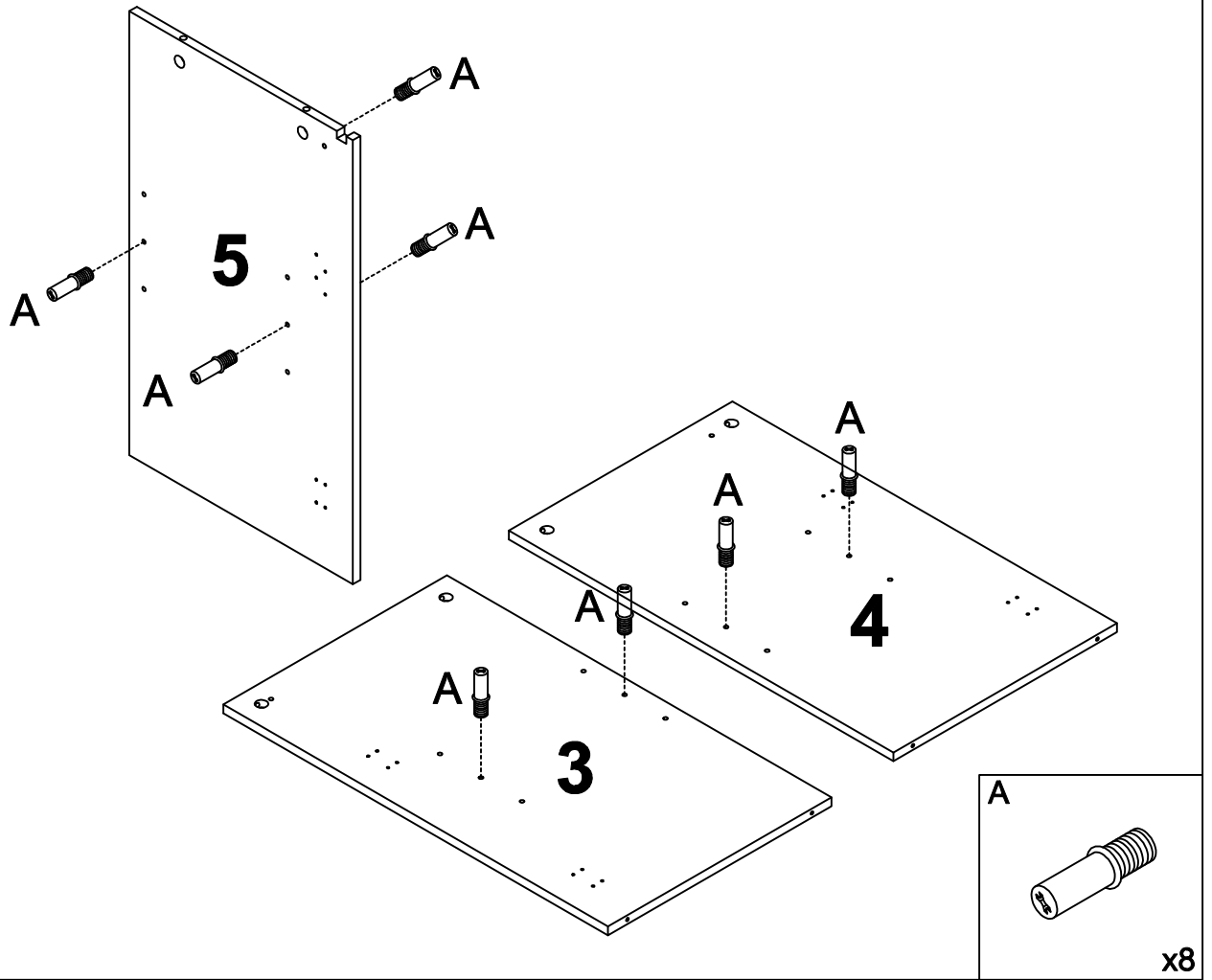
NOTE: The NO. 11 there is plastic protective film, please remove it before assembly.

<p>1</p>  <p>x1</p>	<p>2</p>  <p>x1</p>	<p>3</p>  <p>x1</p>	<p>4</p>  <p>x1</p>
<p>5</p>  <p>x1</p>	<p>6</p>  <p>x2</p>	<p>8</p>  <p>x2</p>	<p>9</p>  <p>x2</p>
<p>10</p>  <p>x2</p>	<p>11</p>  <p>x4</p>	<p>12</p>  <p>x1</p>	<p>13</p>  <p>x3</p>
<p>14</p>  <p>x2</p>	<p>15</p>  <p>x2</p>	<p>16</p>  <p>x2</p>	<p>17</p>  <p>x2</p>

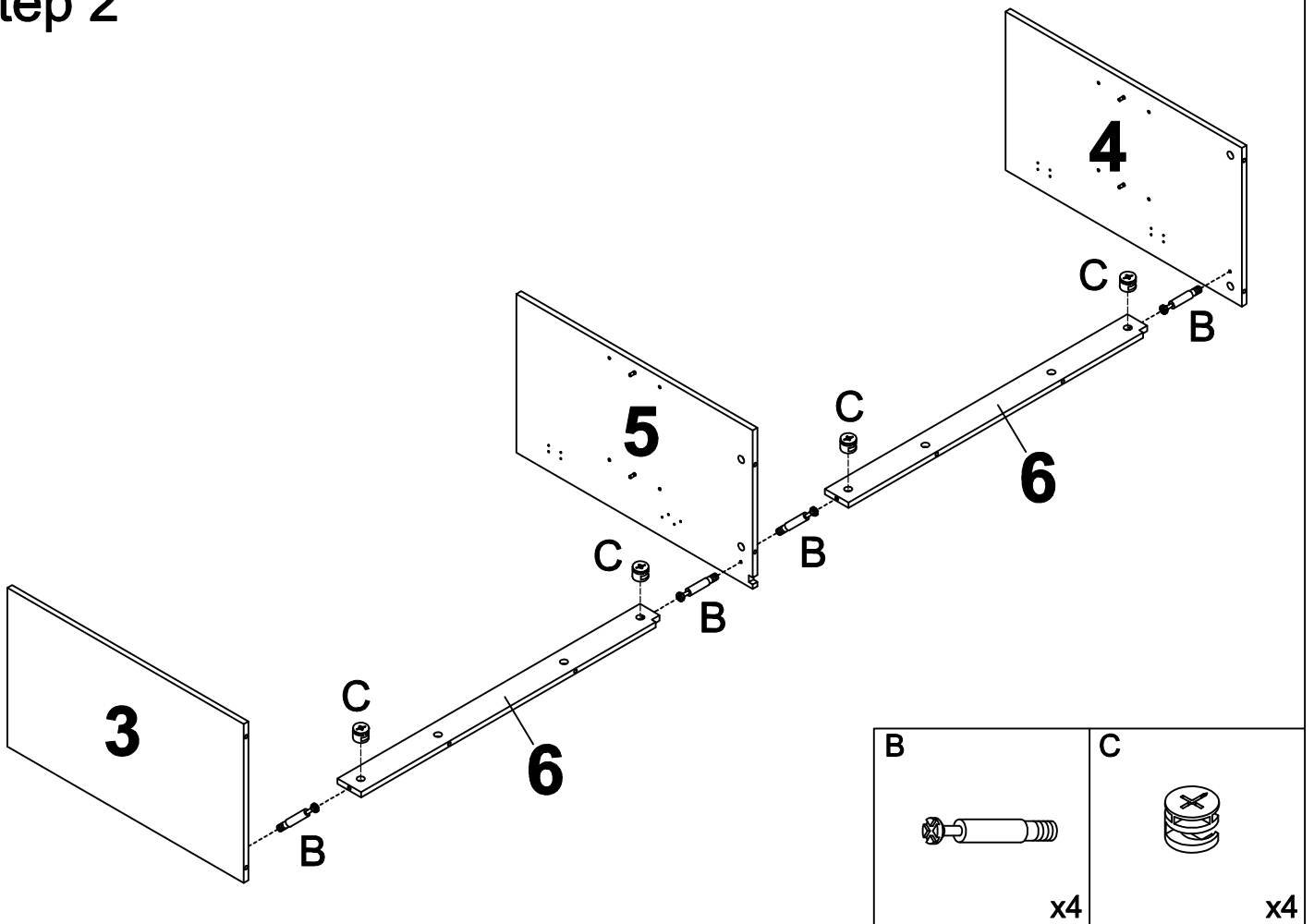
<p>18</p> <p>1500mm</p>  <p>x1</p>	<p>19</p> <p>760mm</p>  <p>x2</p>	<p>20</p>  <p>x1</p>	
---	--	--	--

<p>A</p>  <p>x8</p>	<p>B</p>  <p>x14</p>	<p>C</p>  <p>x14</p>	<p>D M3.5x12</p>  <p>x76</p>	<p>E</p>  <p>x1</p>
<p>F</p>  <p>x2</p>	<p>G M3x14</p>  <p>x4</p>	<p>H M7x50</p>  <p>x6</p>	<p>I M6x45</p>  <p>x4</p>	<p>J M6x30</p>  <p>x10</p>
<p>K M6x10</p>  <p>x20</p>	<p>L</p>  <p>x6</p>	<p>M</p>  <p>x8</p>	<p>N</p>  <p>x4</p>	<p>O M4x18</p>  <p>x4</p>
<p>P</p>  <p>x4</p>	<p>Q</p>  <p>x1</p>	<p>R</p>  <p>x1</p>		

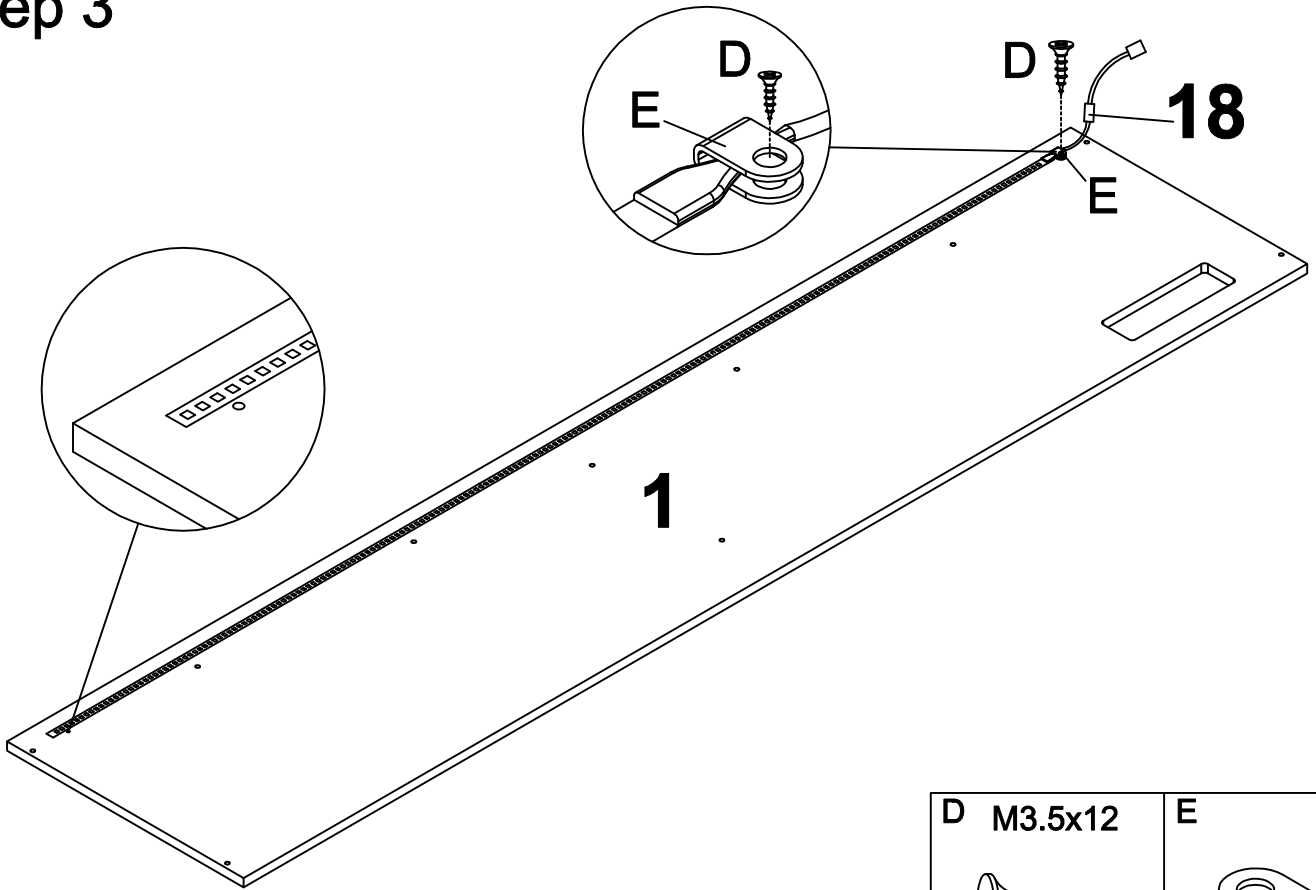
Step 1

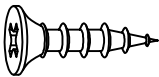



Step 2

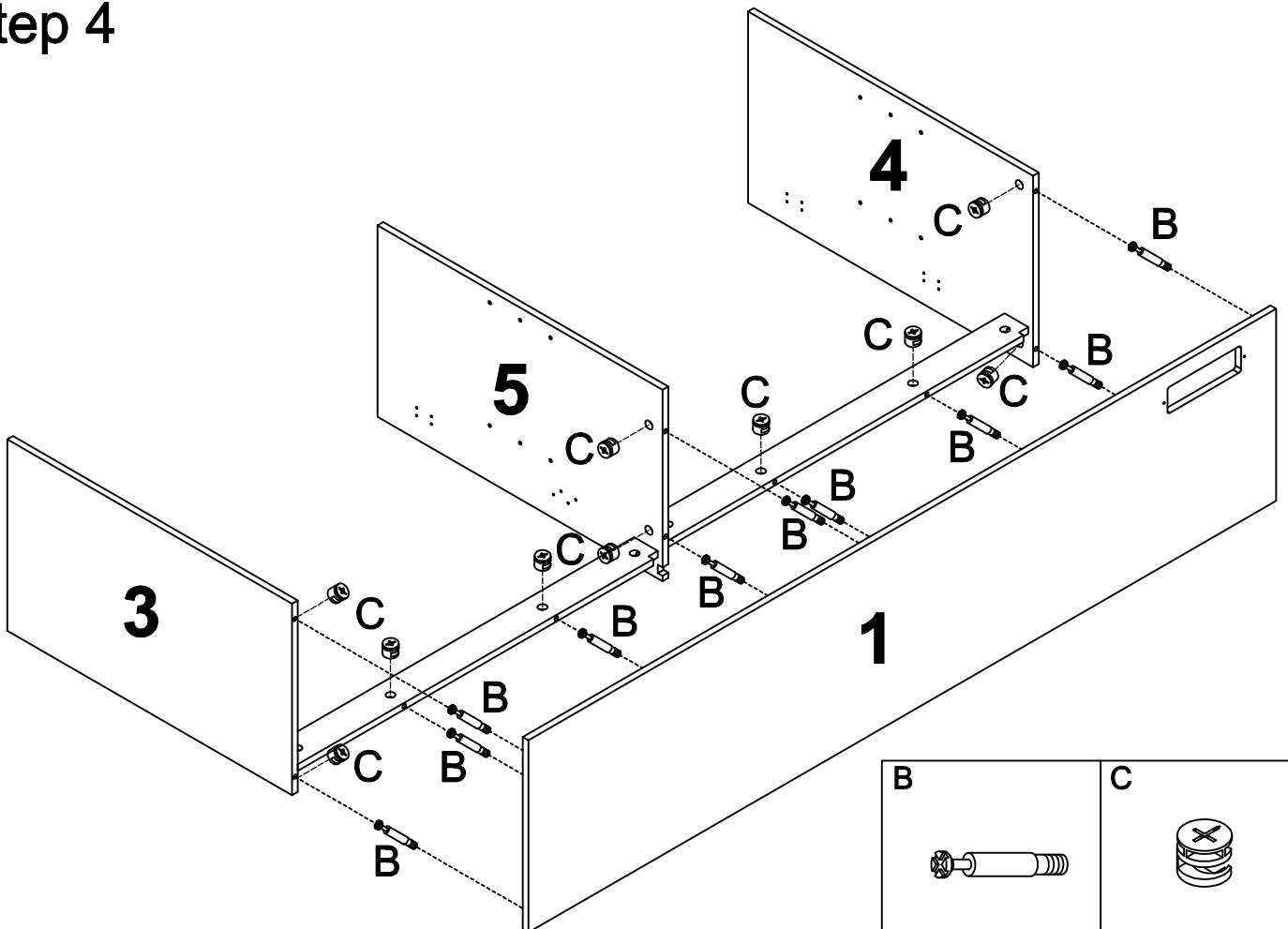


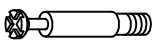

Step 3



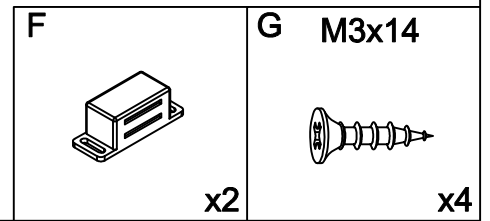
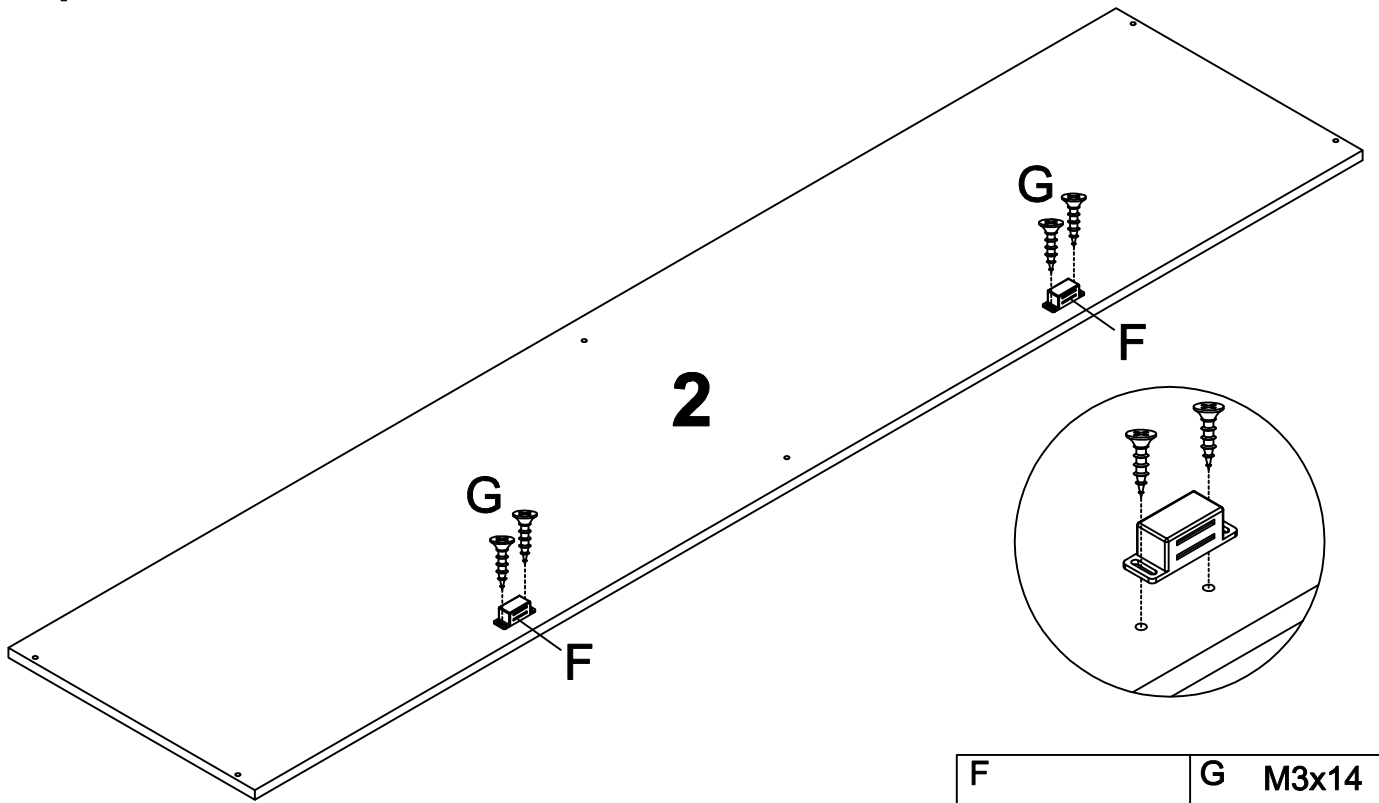
D M3.5x12	E
	
x1	x1

Step 4

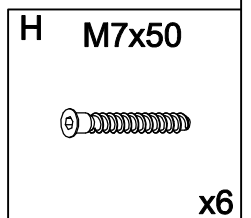
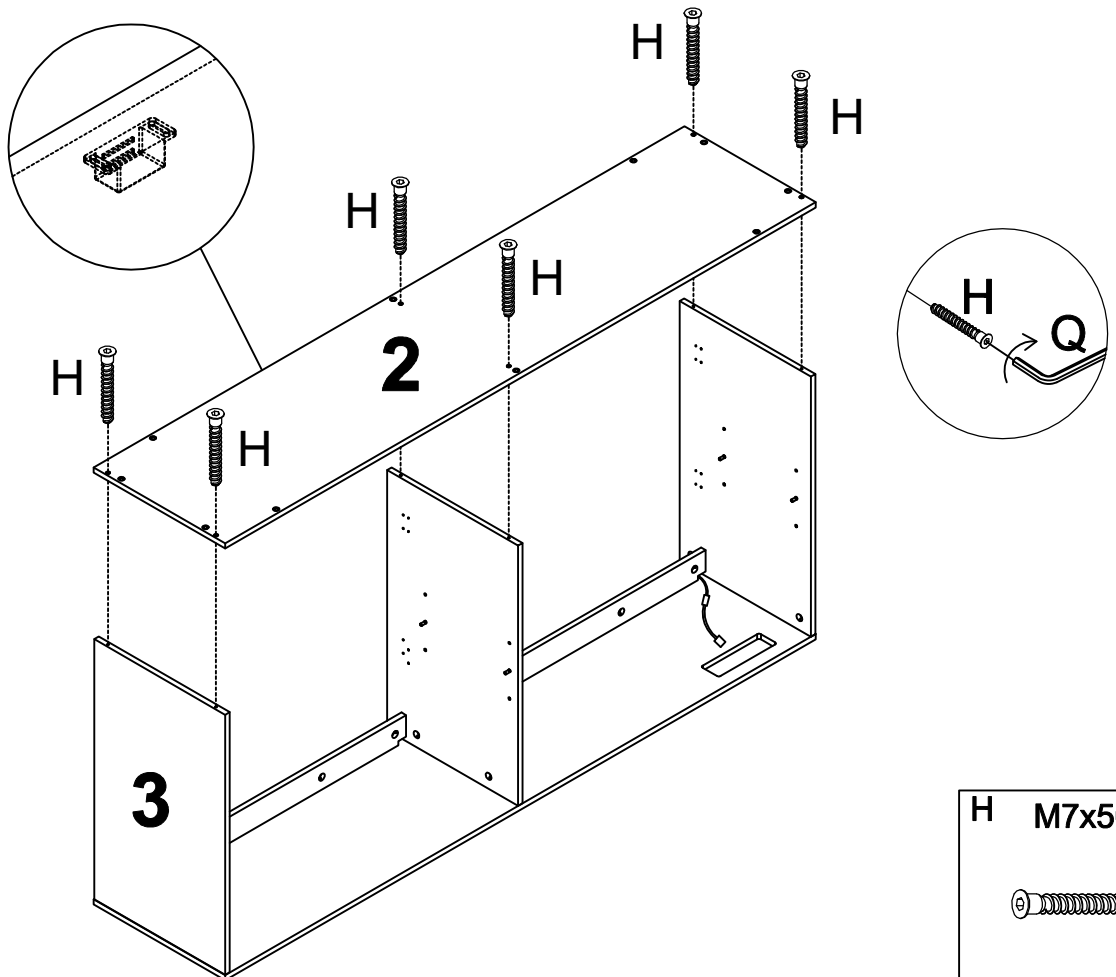


B	C
	
x10	x10

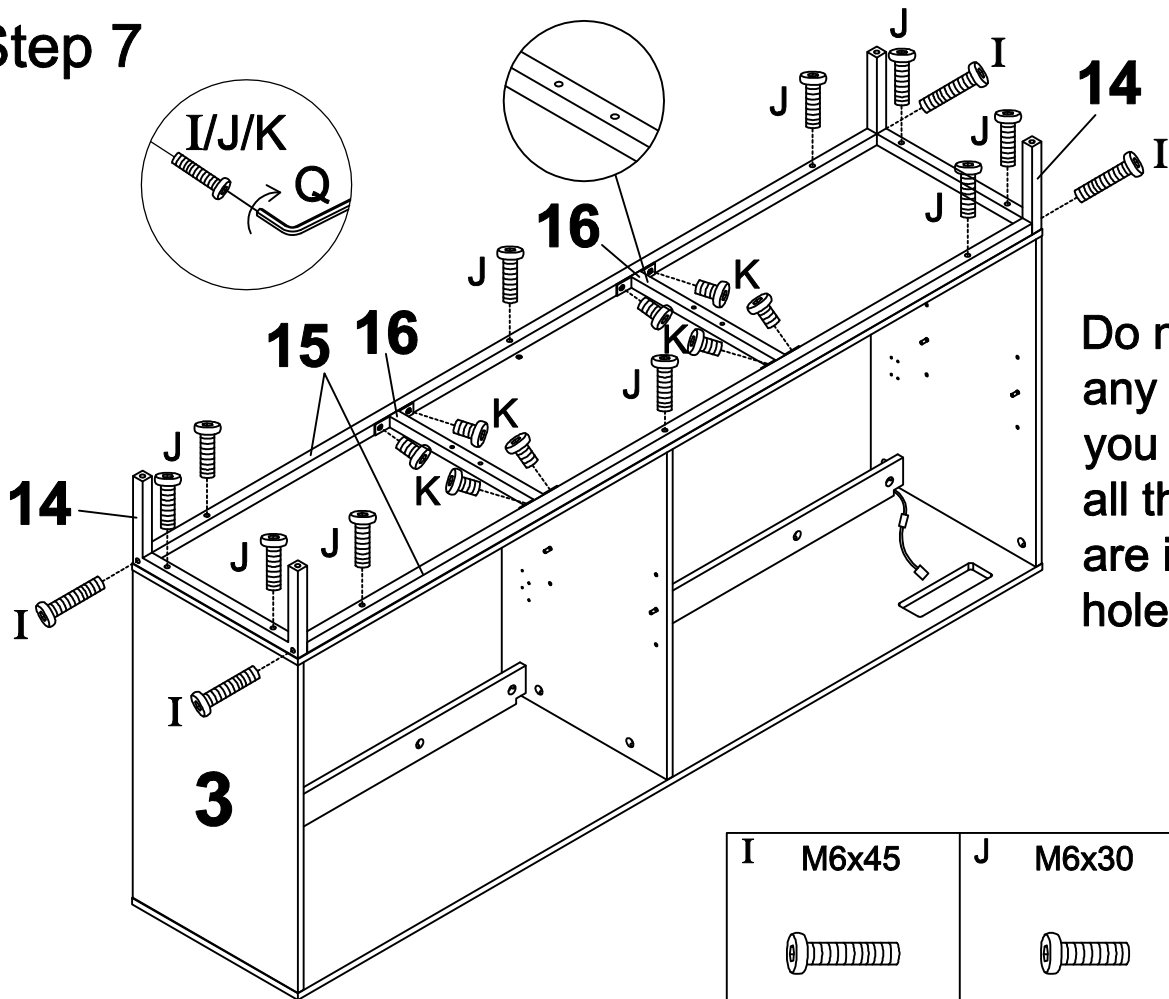
Step 5



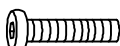
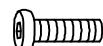

Step 6



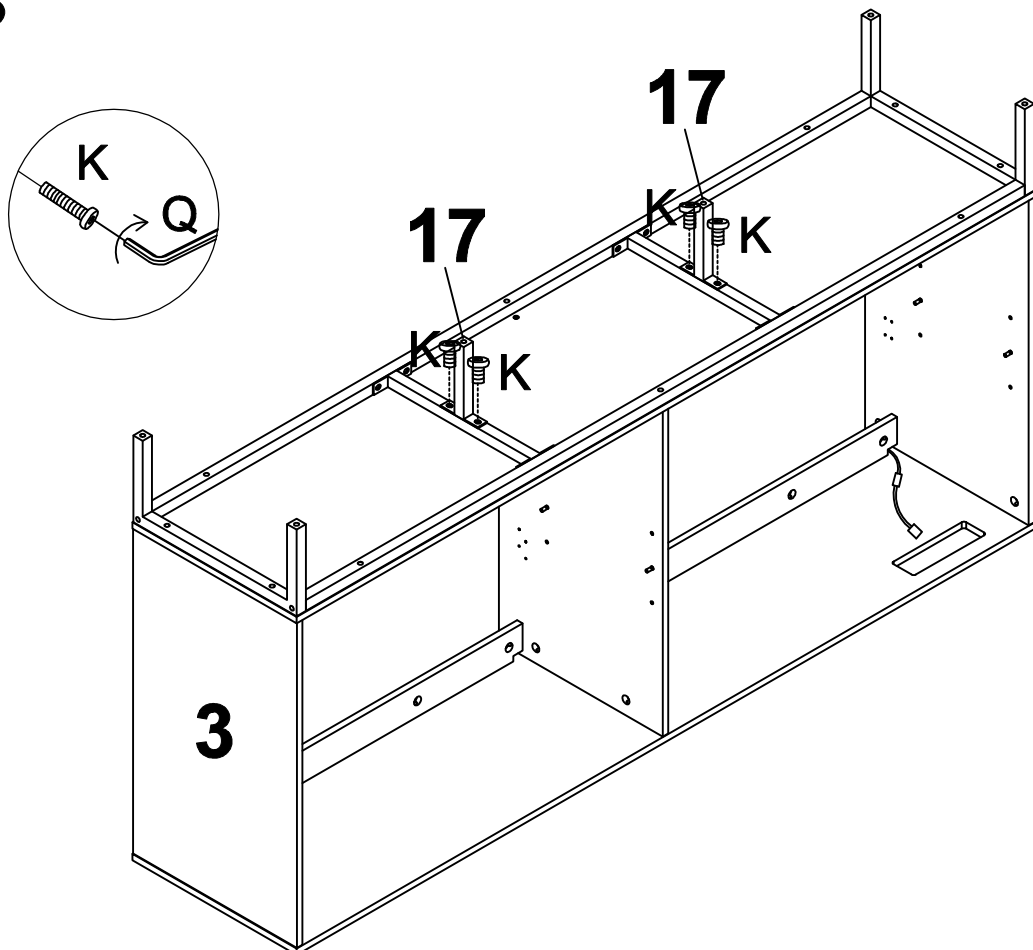
Step 7




Do not tighten any screw until you make sure all the screws are in the right holes.

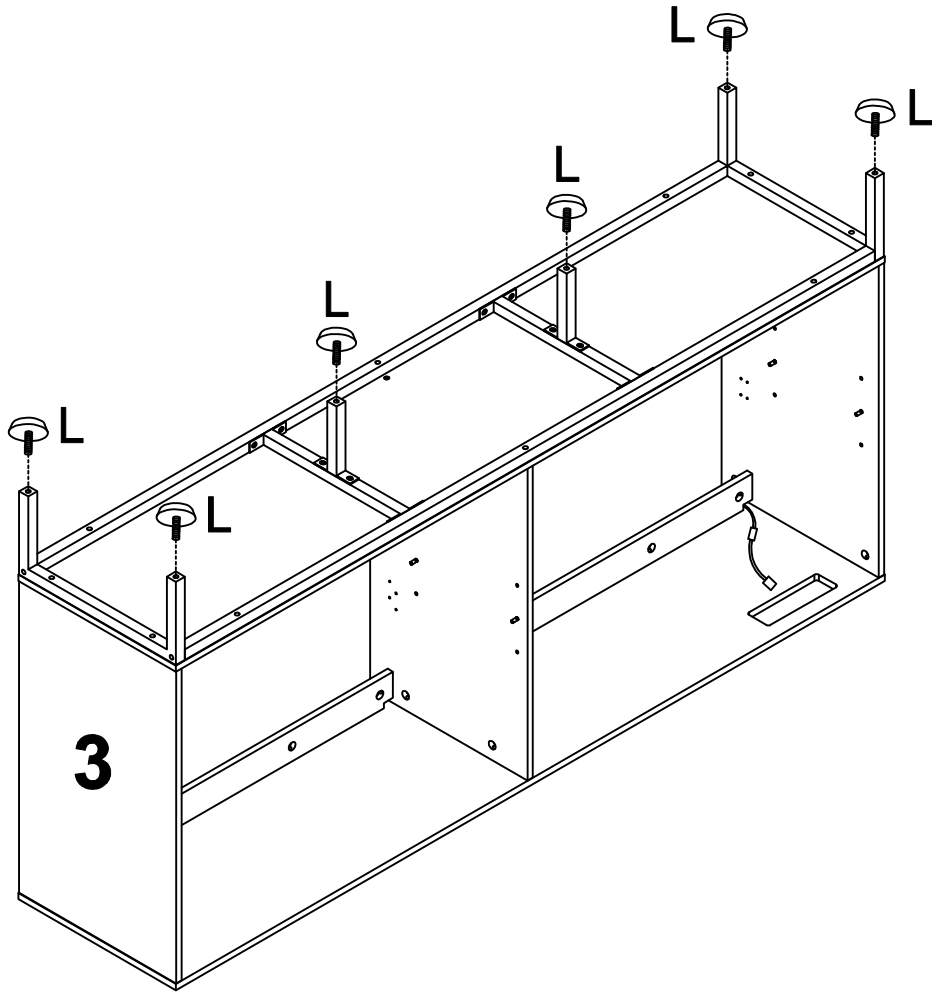
I	M6x45	J	M6x30	K	M6x10
					
x4		x10		x8	

Step 8

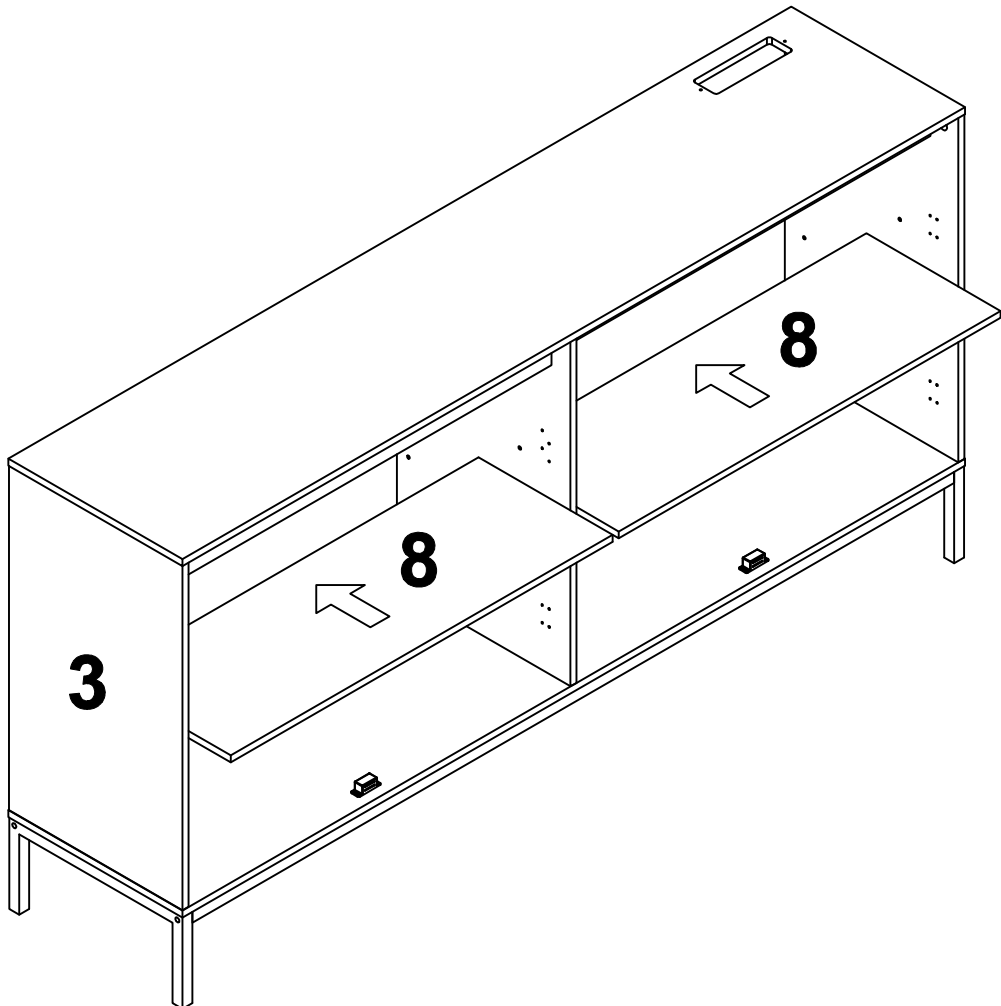


K	M6x10
	
x4	

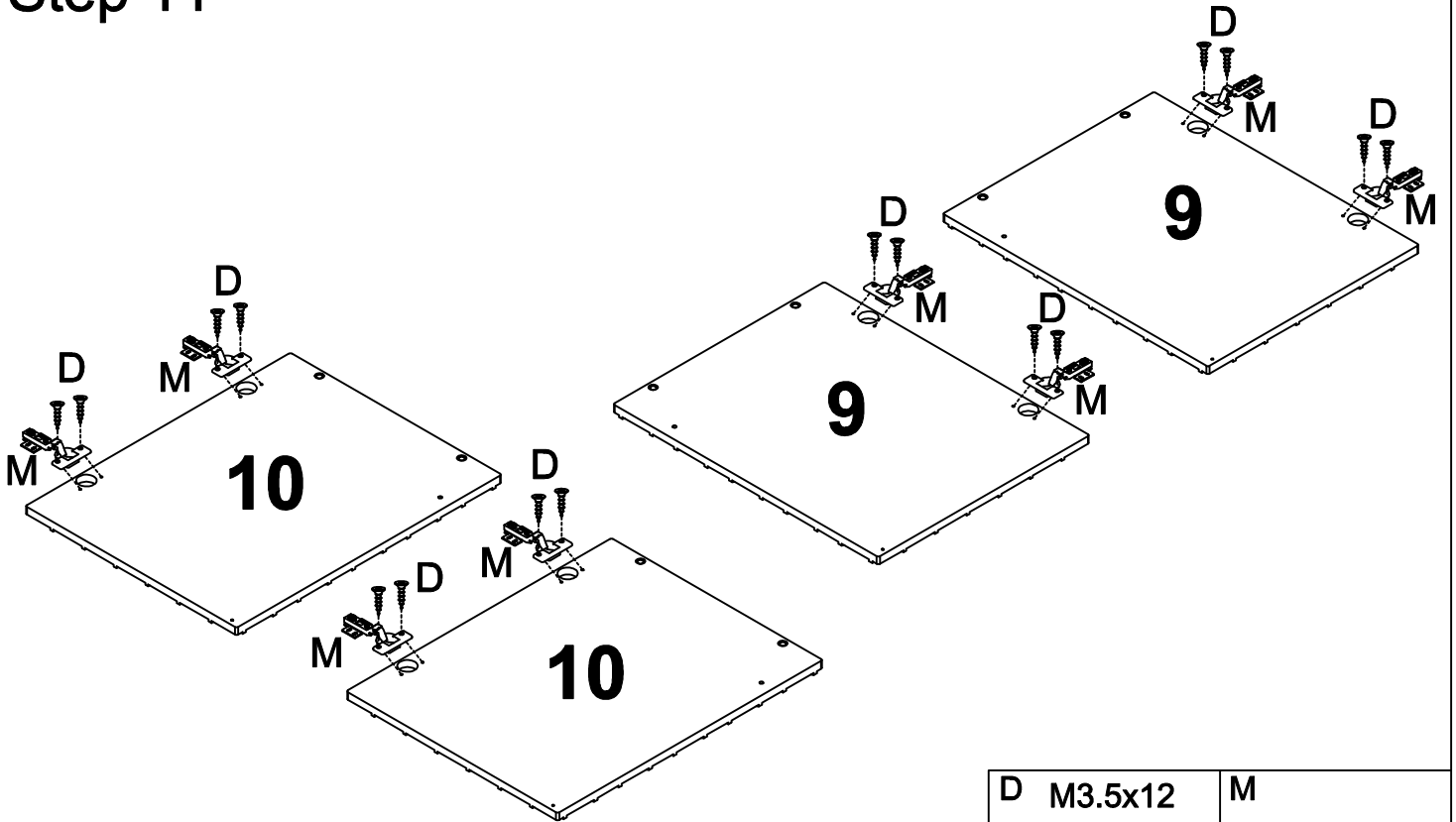
Step 9

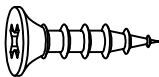
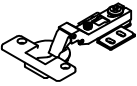


Step 10

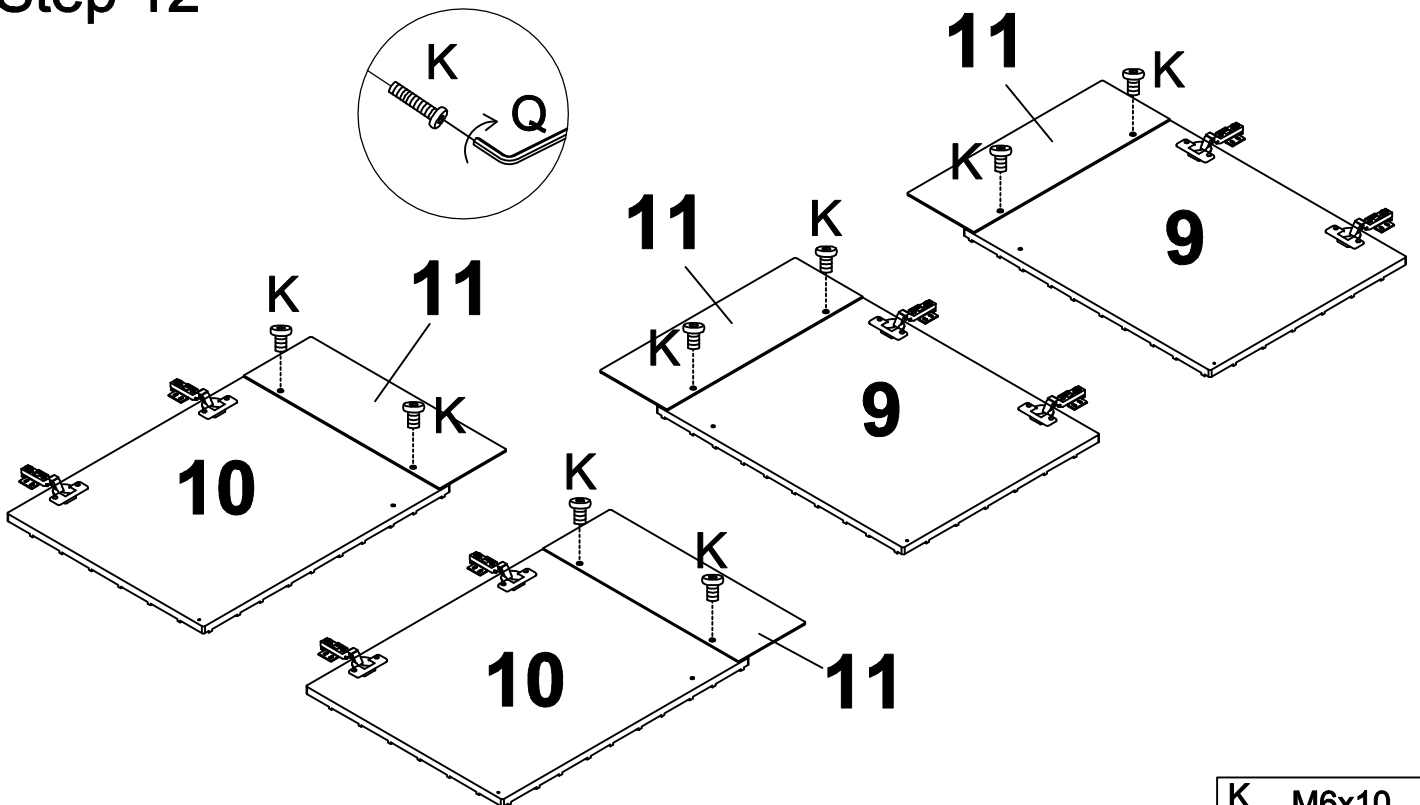


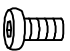
Step 11



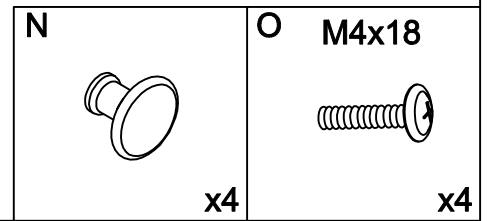
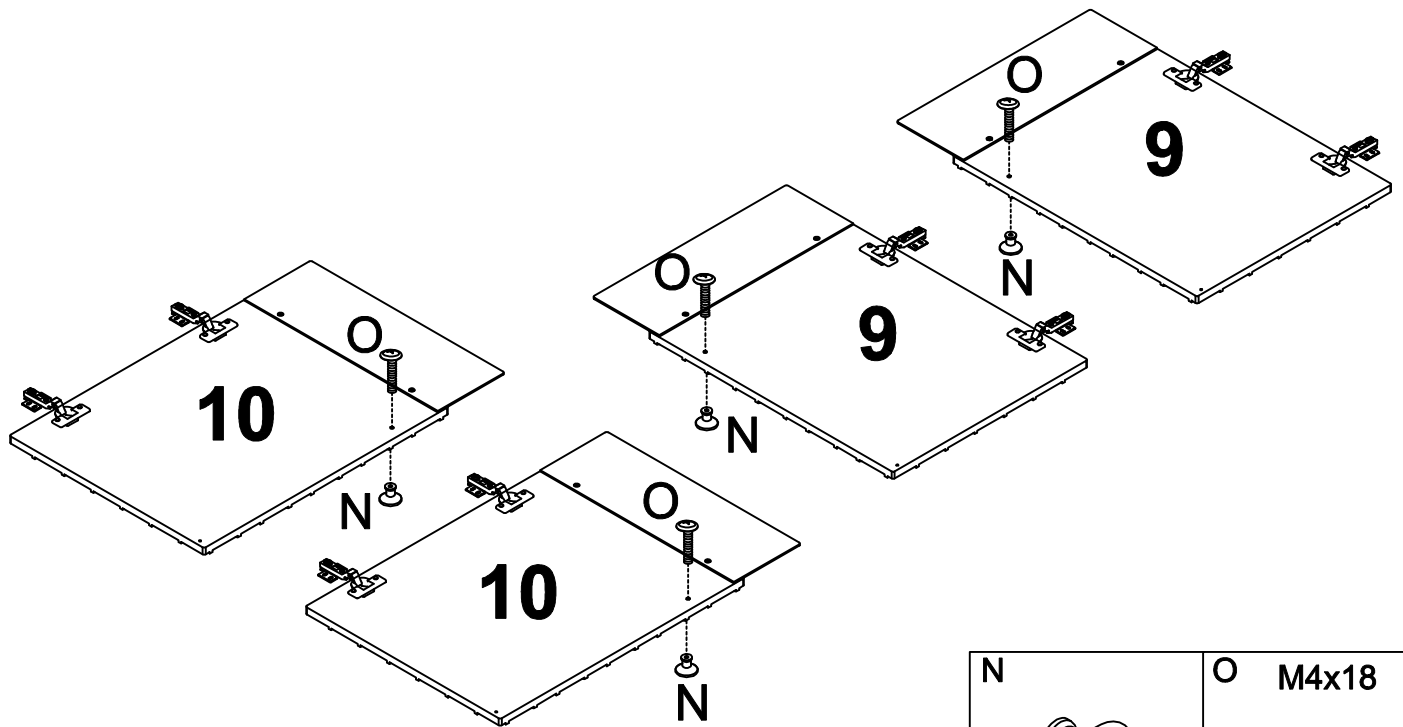
D M3.5x12	M
	
x16	x8

Step 12

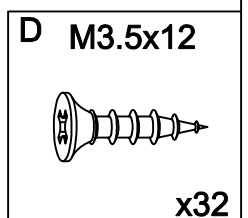
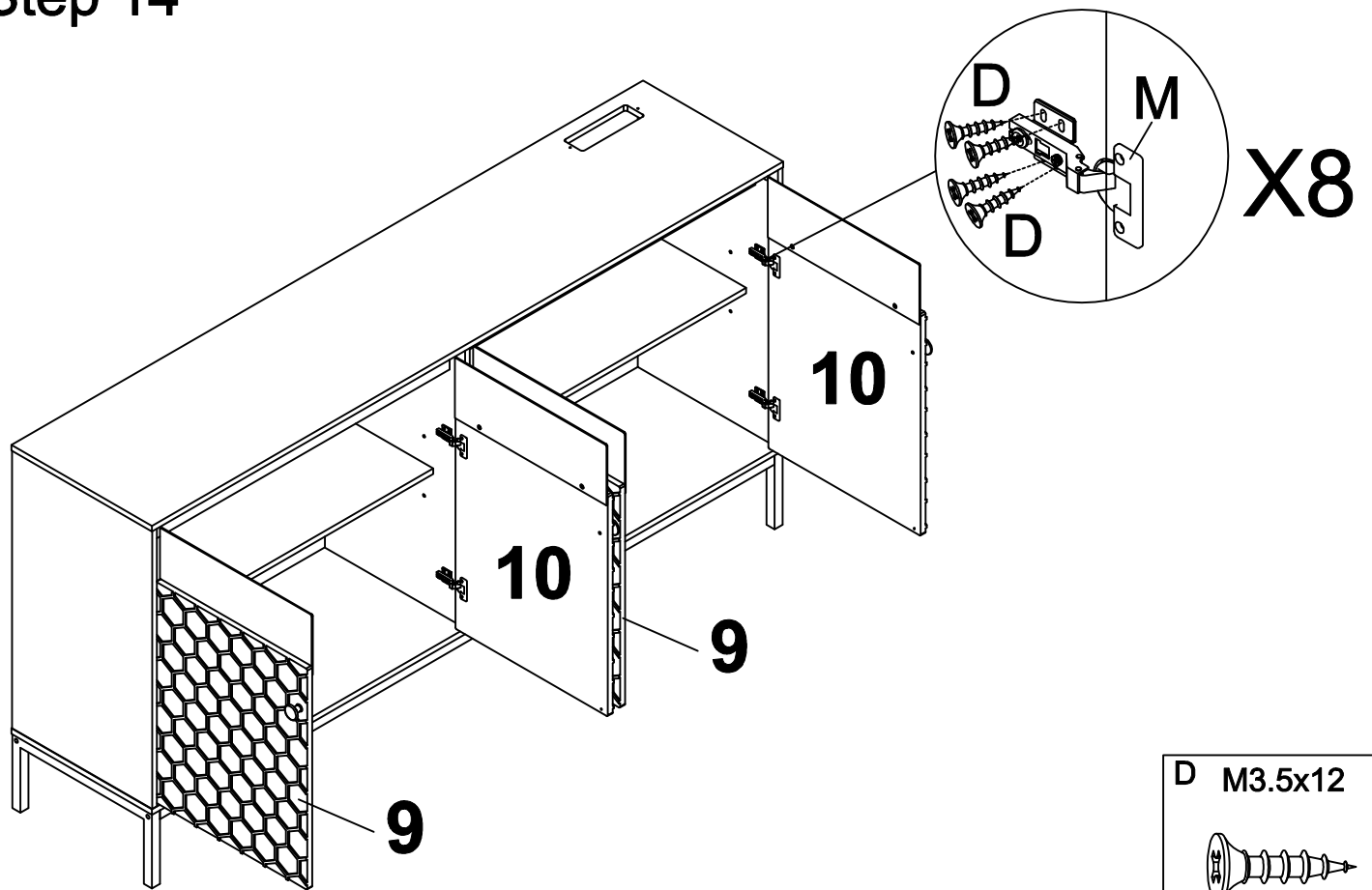


K M6x10

x8

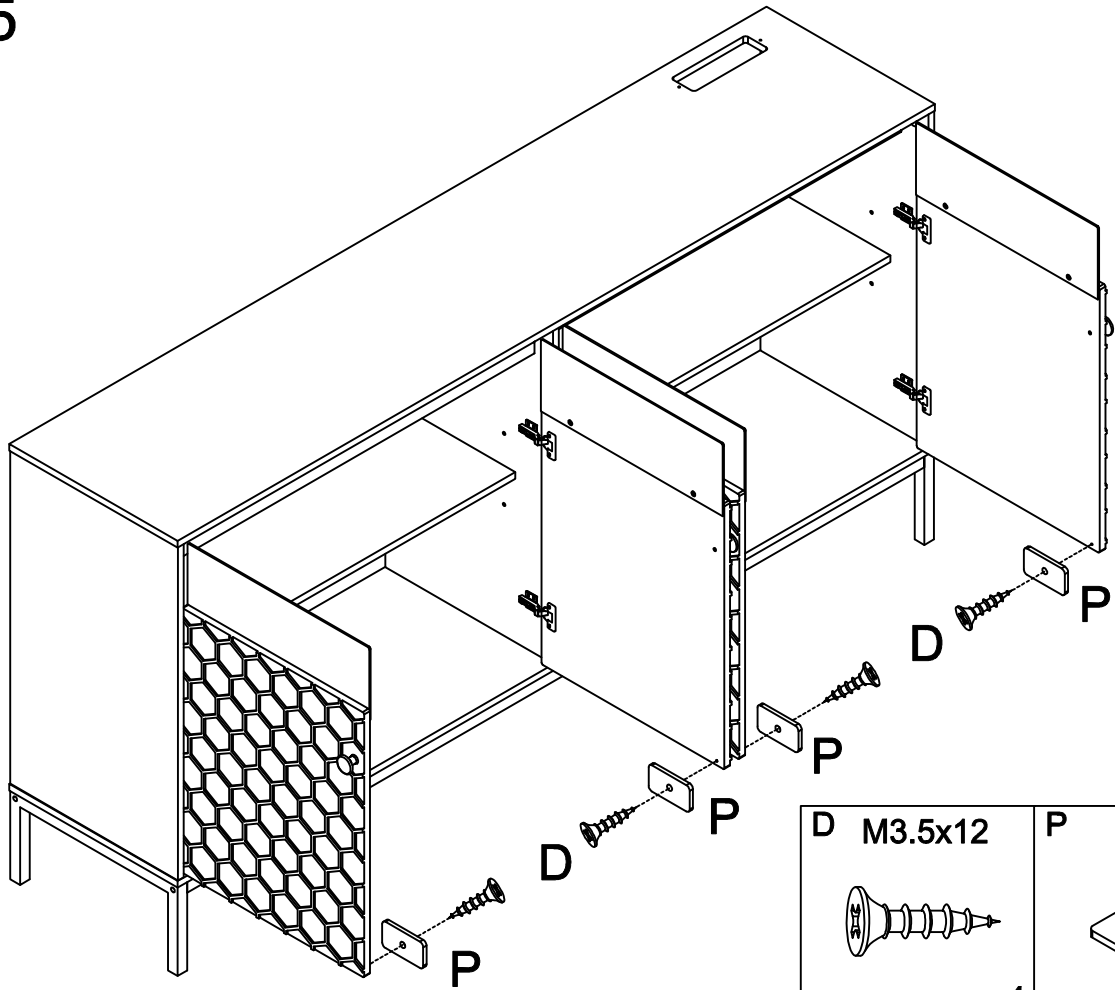
Step 13



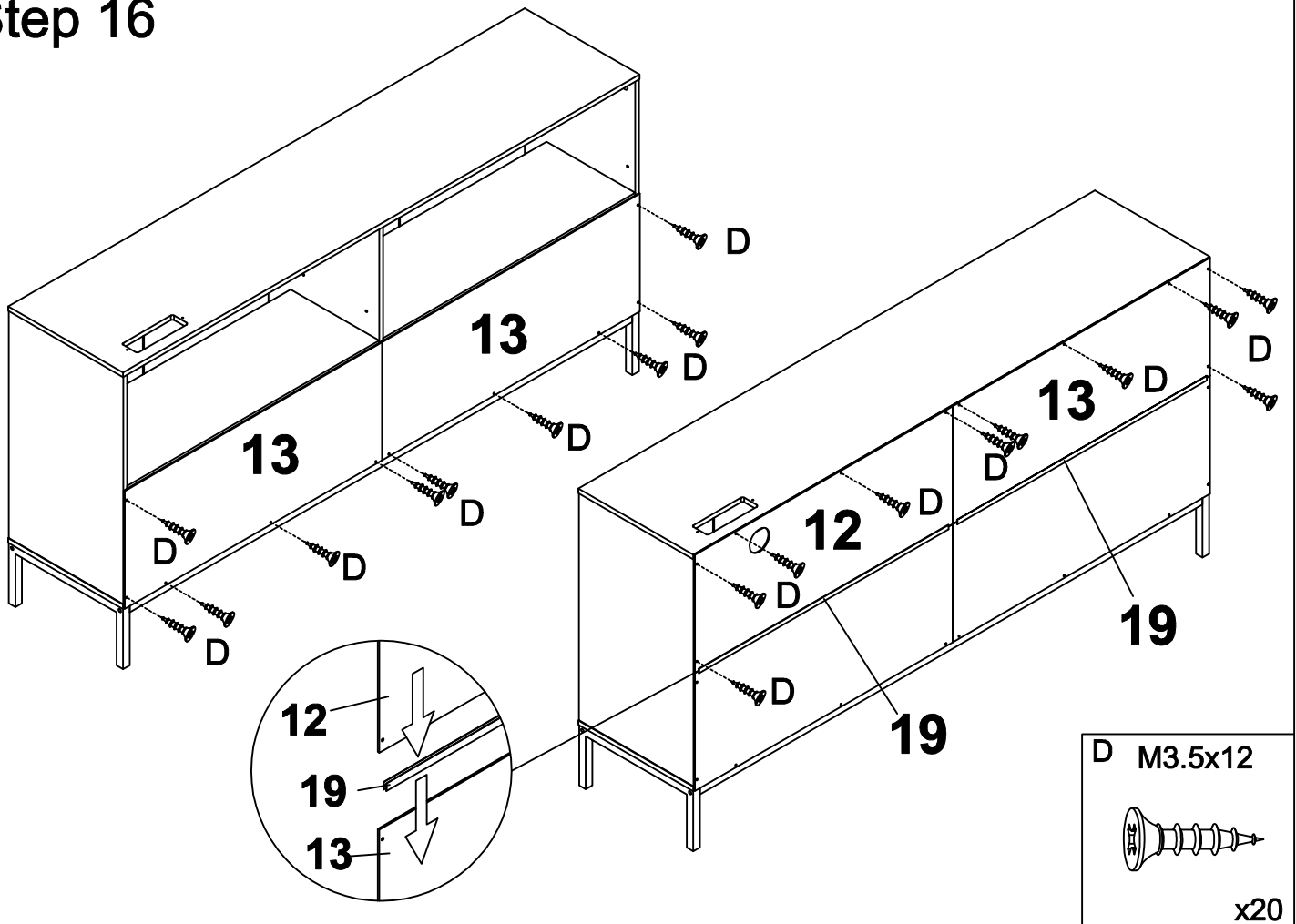
Step 14



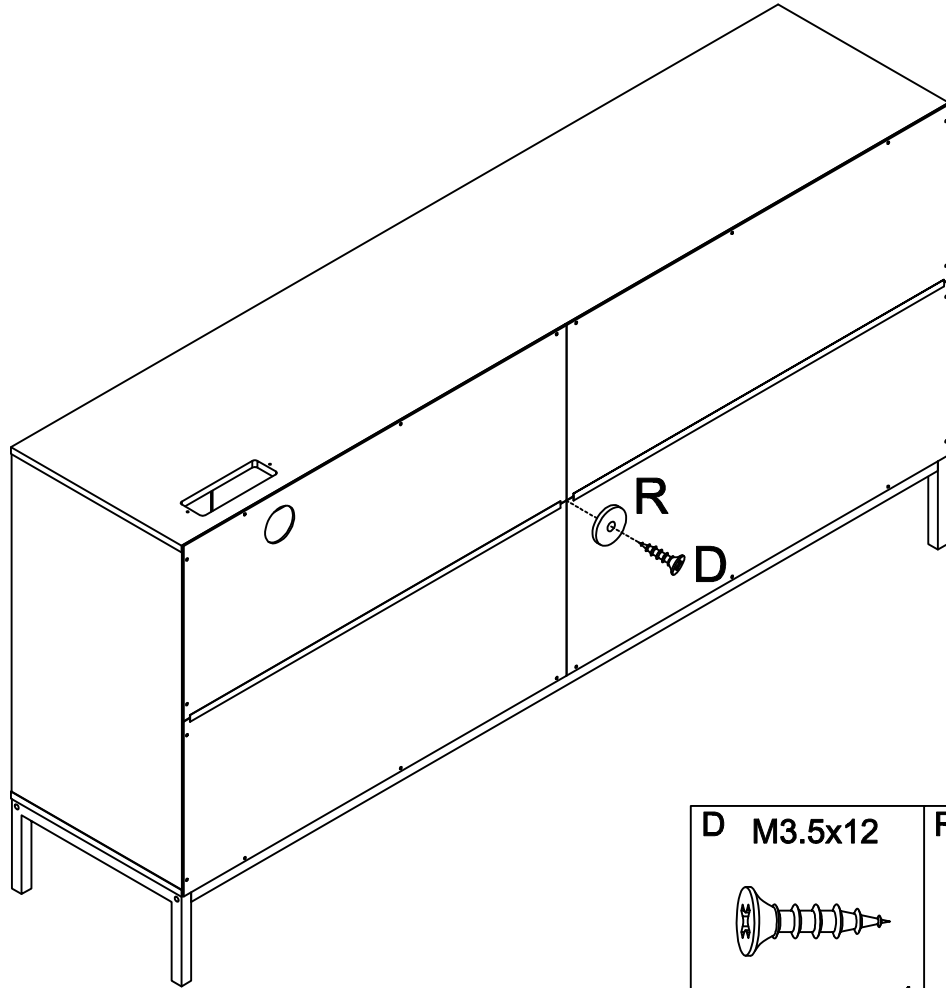
Step 15

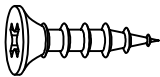



Step 16

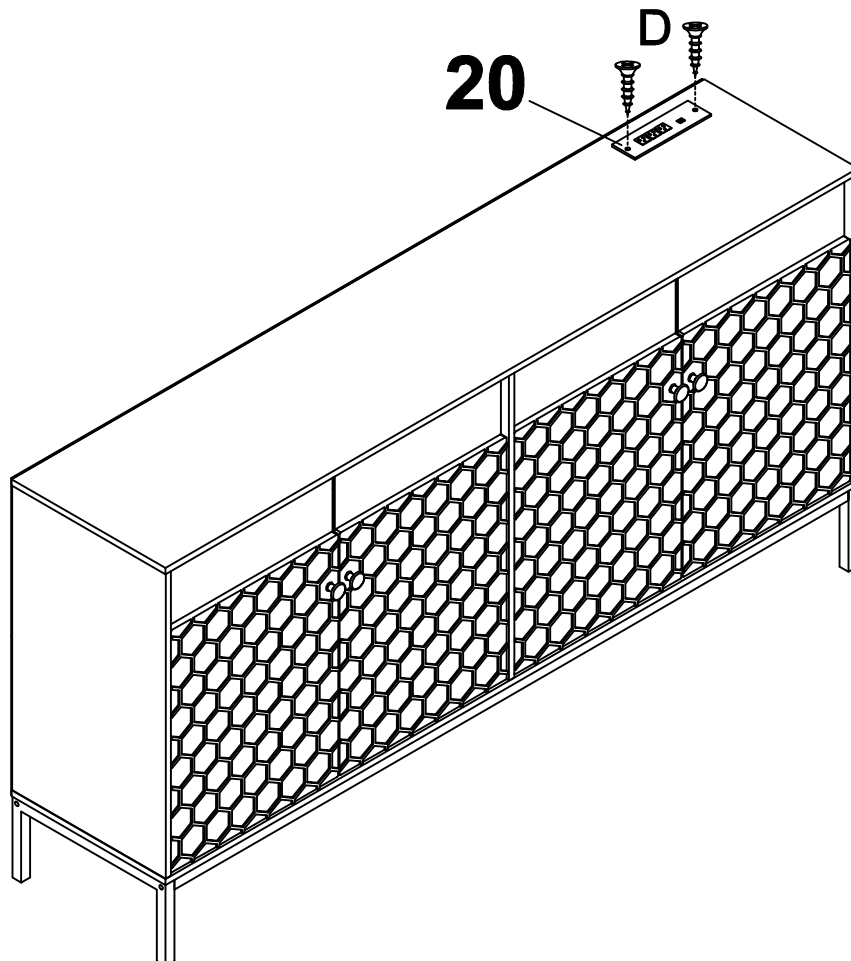


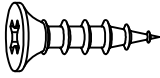
Step 17



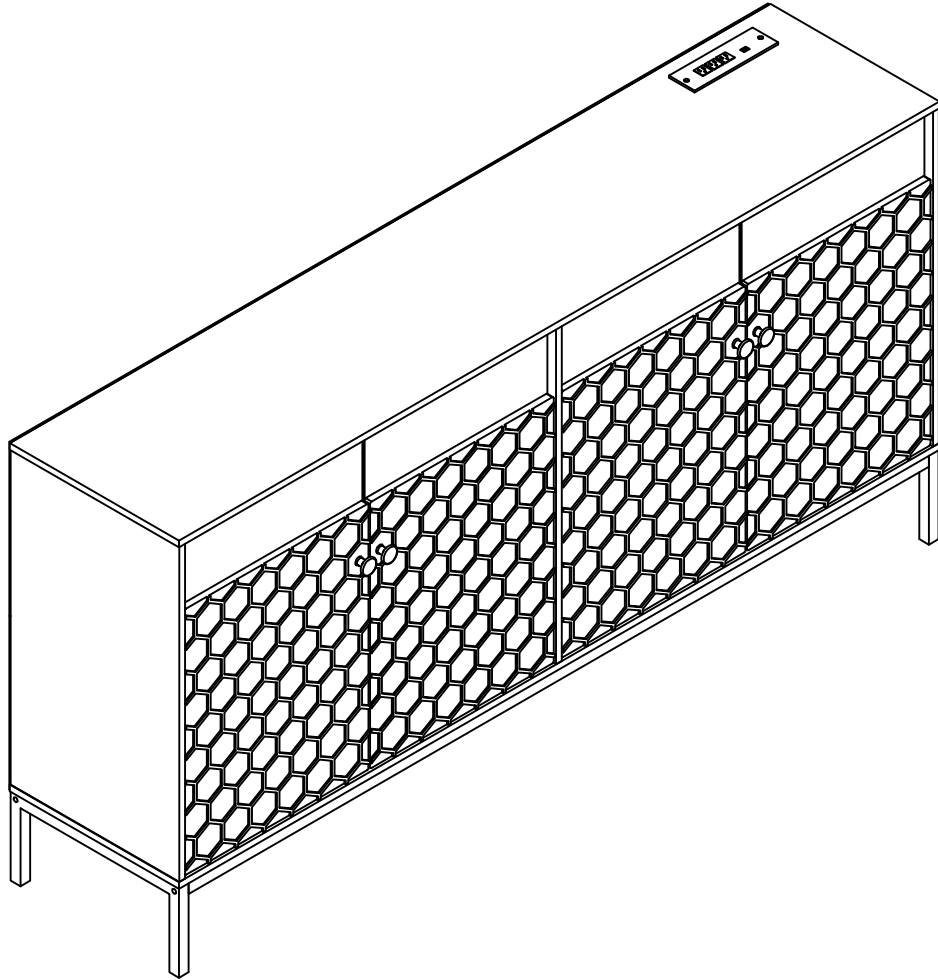
D M3.5x12	R
	
x1	x1

Step 18



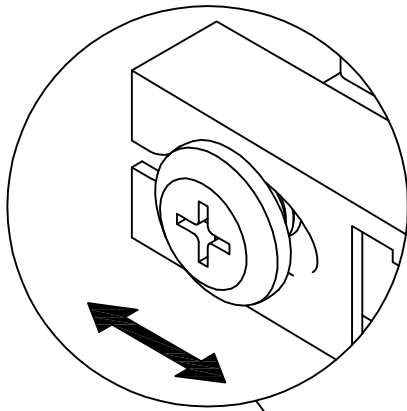
D M3.5x12

x2

Finish !!!

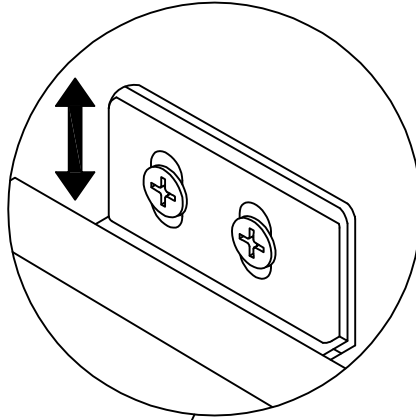


Hinge Installation Diagram

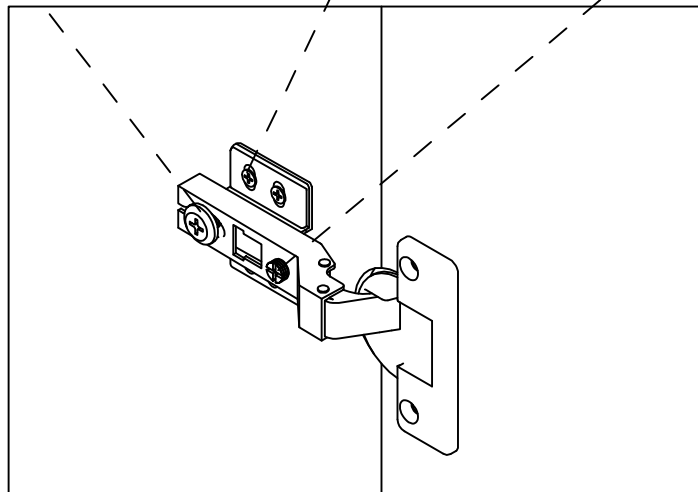
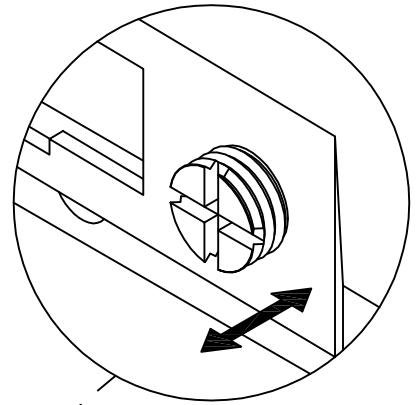
Left and Right



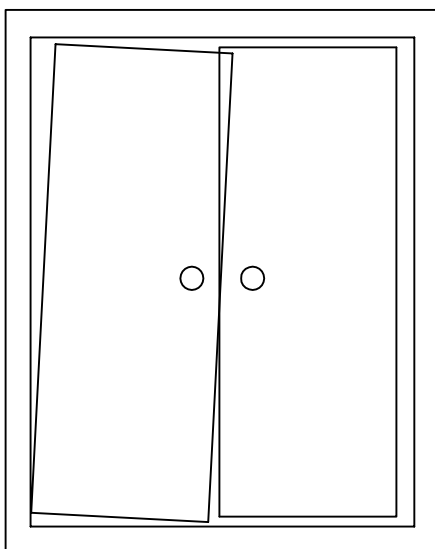
Up and Down



Back and Forth



Before



After

