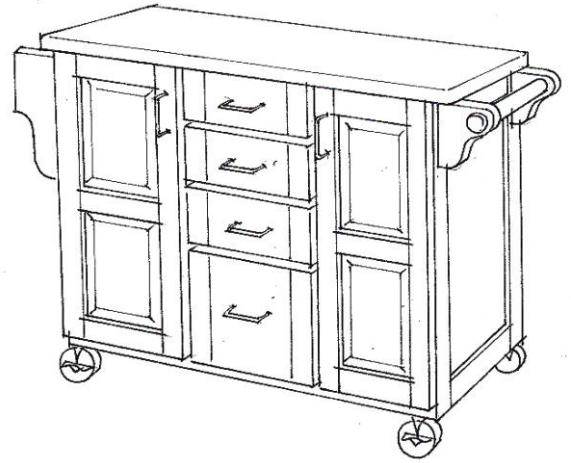


# Kitchen Cart (Natural Finish)

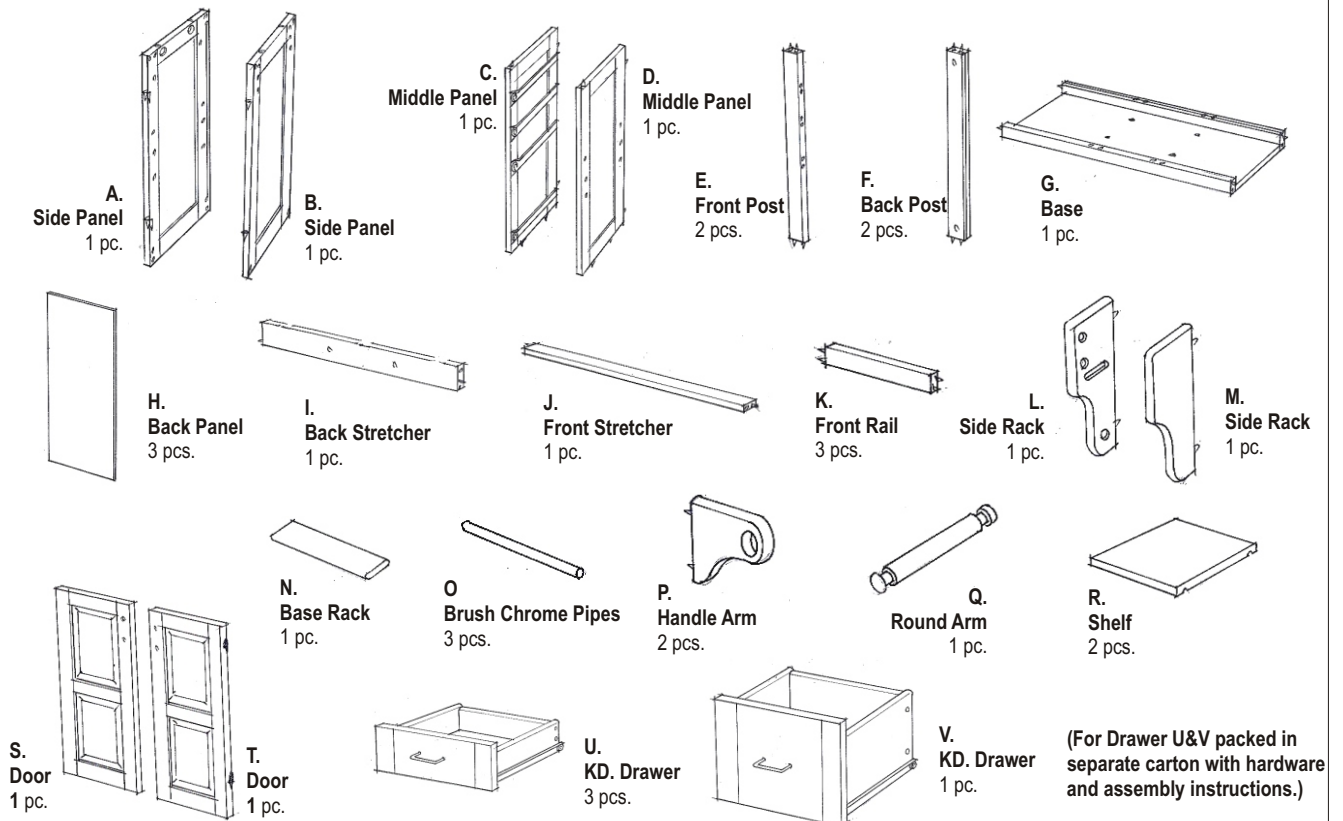
## IMPORTANT NOTE

Carefully remove all the parts from the carton and put them individually on a soft cloth to prevent scratches or other damages occurring to the wood parts.

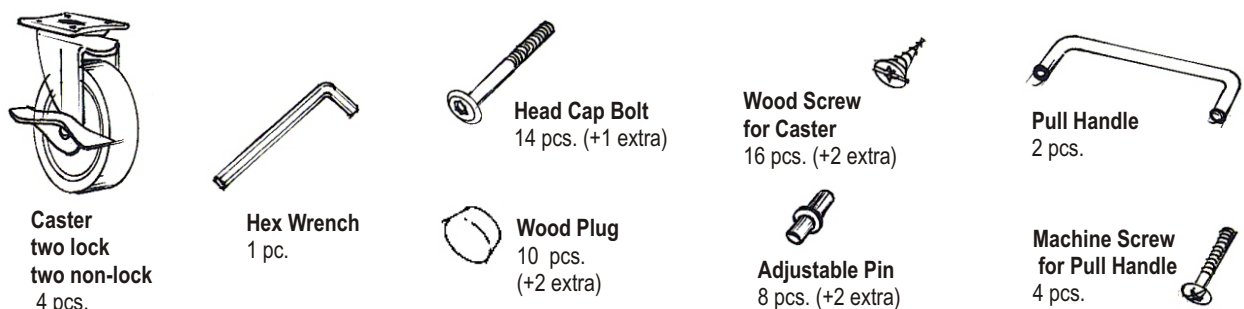
We have taken great care in the design of this product and request that you carefully and strictly follow our assembly instructions to ensure a completed product as it was designed.



## PART LIST



## HARDWARE LIST

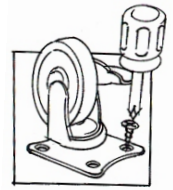


Tools Required For Assembly : Philips screwdriver

# Assembly Instructions 2/3

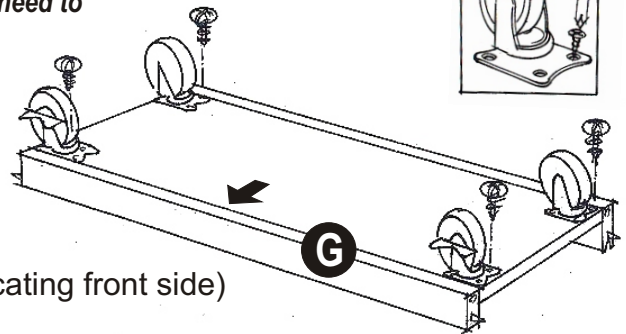
## IMPORTANT

Do not tighten up all the screws until each part is properly assembled.  
You should keep Hex Wrench in the safe place as you may need to tighten up the Head Cap Bolts in the future.



## STEP 1

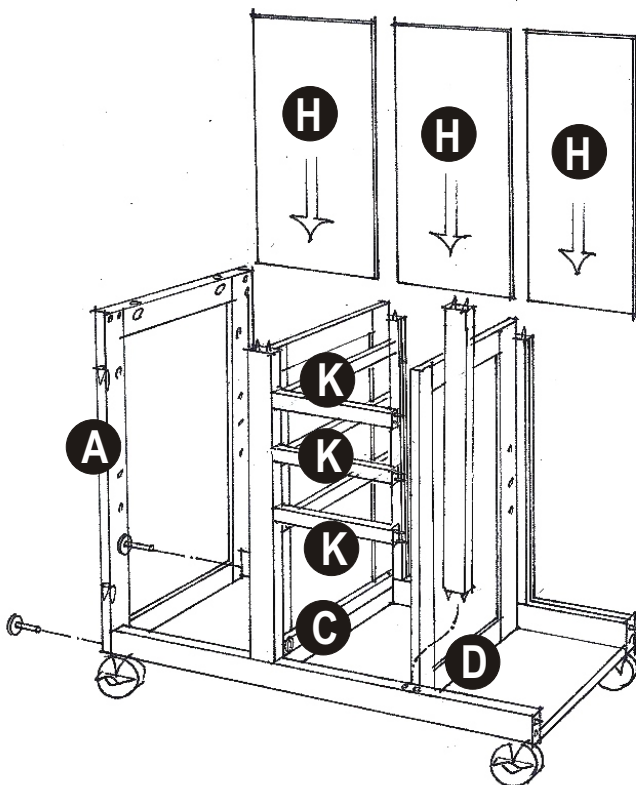
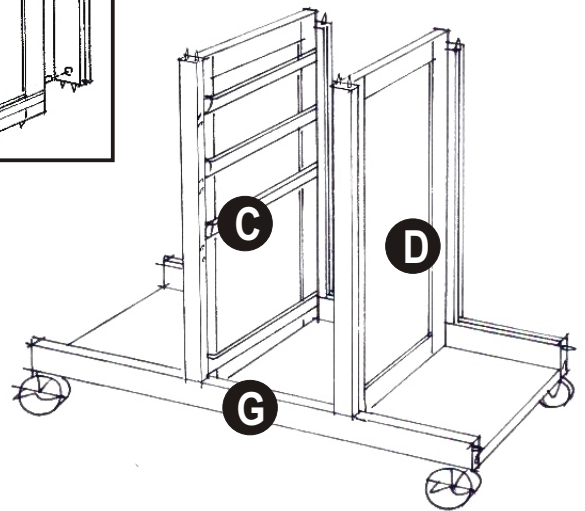
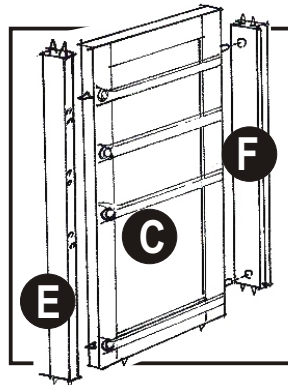
Attach 4 Casters to the underside of the Base (G), put the 2 Casters with lock in front as you first need to lock the cart from moving. (See sticker in the bottom indicating front side)



## STEP 2

Attach the Back Post (F) and Front Post (E) to the Middle Panel (C) and (D).

Attach the assembled Middle Panel (C) and (D) to the Base (G).



## STEP 3

Put the Front Rail (K) in between the Middle Frame (C) and (D).

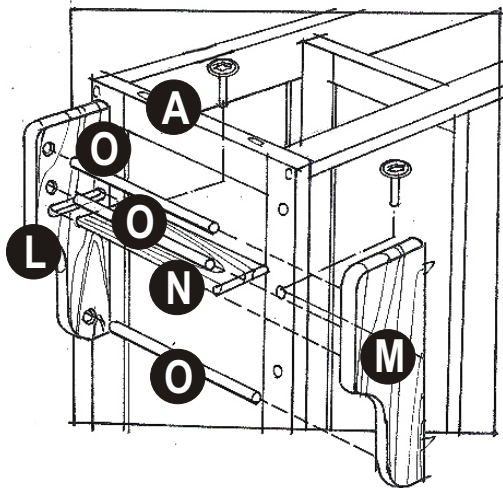
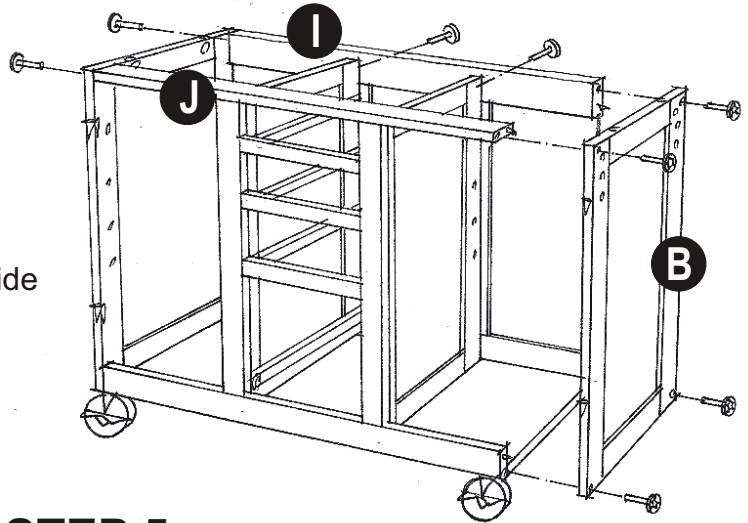
Attach the Side Panel (A) to the side of the unit with Head Cap Bolts.

Slide the Back Panels (H) into place.

## STEP 4

Attach the Back and Front Stretcher (I), (J) to the assembled unit with Head Cap Bolts.

Attach the Side Panel (B) to the other side of the unit with Head Cap Bolts.



## STEP 5

Attach the Side Rack (L) to the Side Panel (A) with the Head Cap Bolts.

Attach the Brush Chrome Pipes (O) to the pre-drilled holes of Side Rack (L).

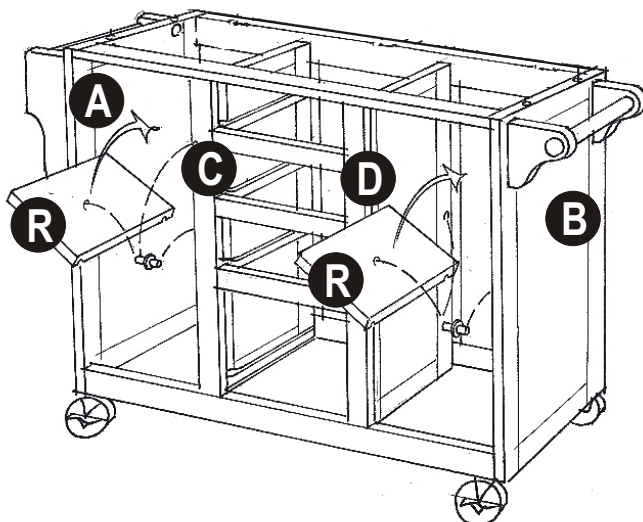
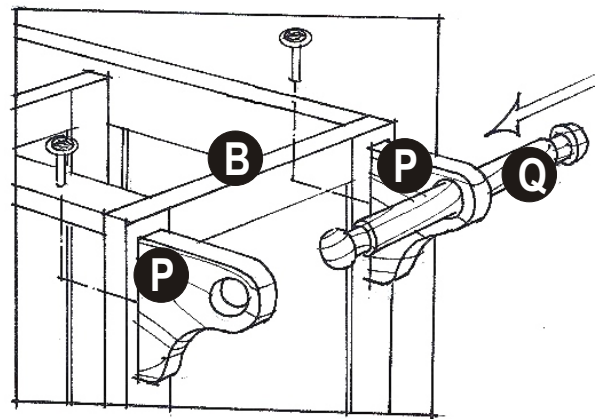
Attach the Base Rack (N) to the Side Rack (L).

Attach the Side Rack (M) to the Side Panel (A), using Head Cap Bolts.

## STEP 6

Attach the Handle Arm (P) to the Side Panel (B) with Head Cap Bolts.

Slide the Round Arm (Q) into place.

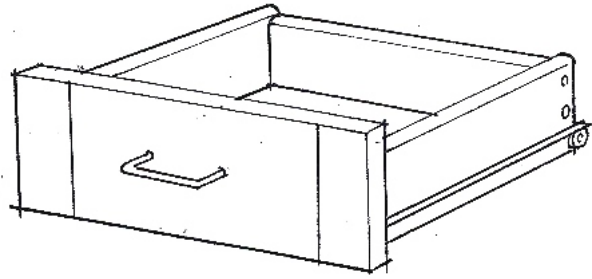


## STEP 7

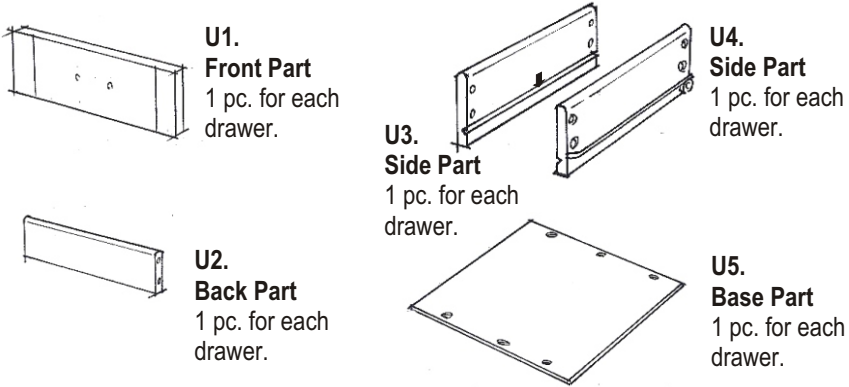
Insert the Adjustable Pins into the Side Panel (A), Middle Panel (C) and Side Panel (B), Middle Panel (D) at the desired level.

Place Shelf (R) into place.

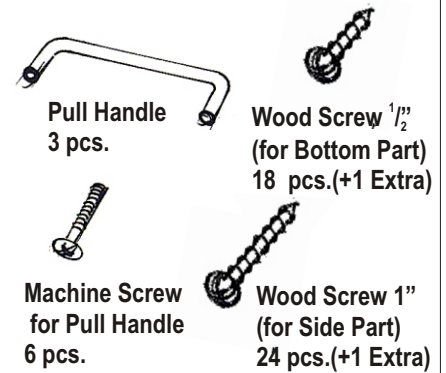
# Drawer (U)



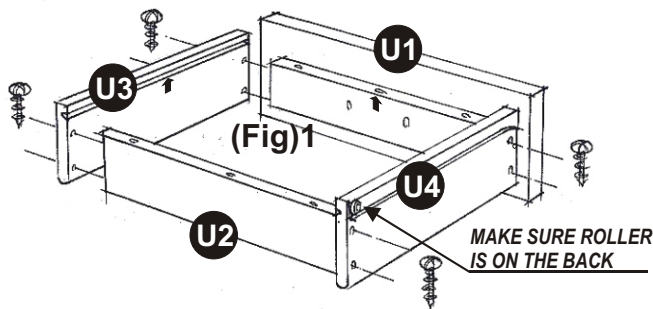
## Unit Part List



## HARDWARE LIST



## Assembly Instructions

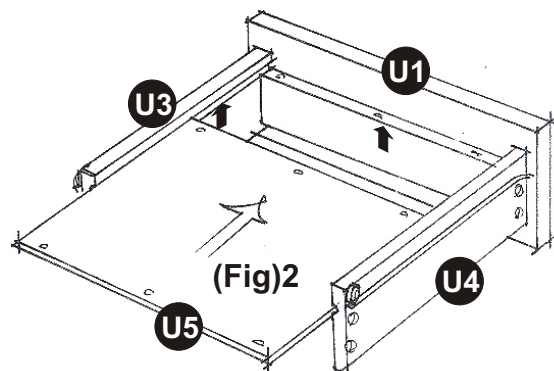


**(Fig) 1**

Assemble the Front Part (U1), Side Part (U3), (U4) and Back Part (U2). Using a *Philips* screw driver, insert 1" screws into each of the 4 pre-drilled holes Side Part of the (U3) and (U4), then tighten half way.

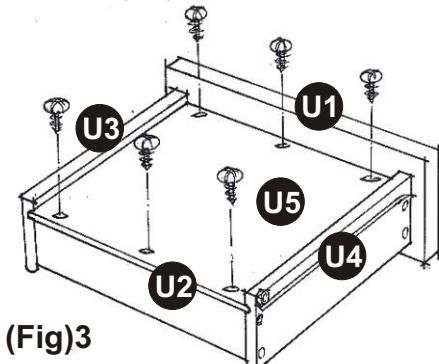
**(Fig) 2**

Turn the assembled drawer over and slide the Plywood Base Part (U5) into the grooves on Side Parts (U3) and (U4). Be sure to push the plywood all the way forward so it meets the Front Part (U1).



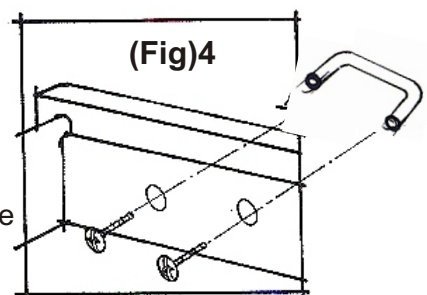
**(Fig) 3**

Insert the remaining (6) 1/2" screws into the pre-drilled holes in Base Part (U5), then tighten all screws

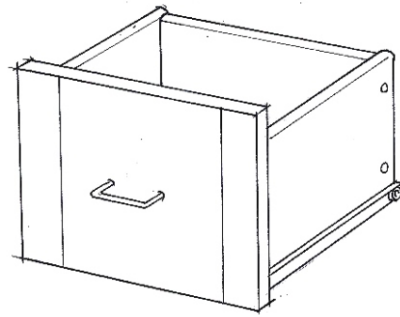


**(Fig) 4**

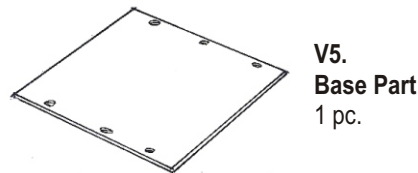
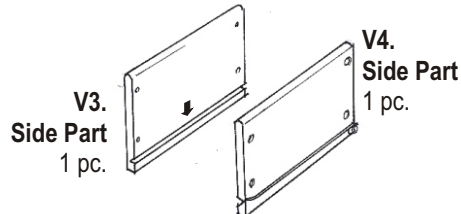
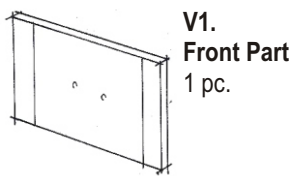
Assemble the Pull Handle with Machine Screw on the Front Part(U1).



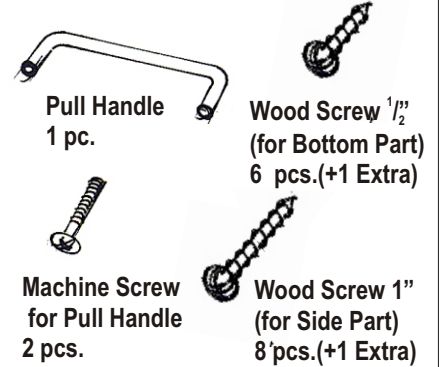
# Drawer (V)



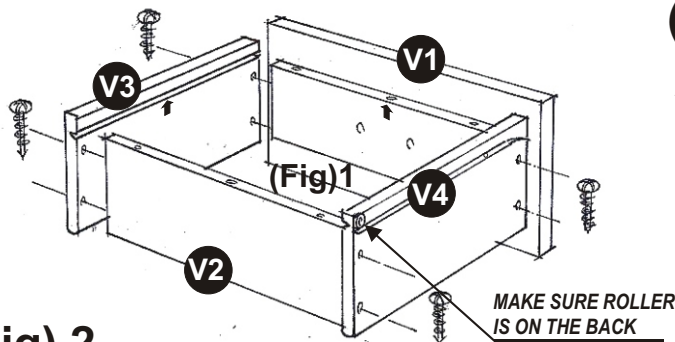
## Unit Part List



## HARDWARE LIST



## Assembly Instructions

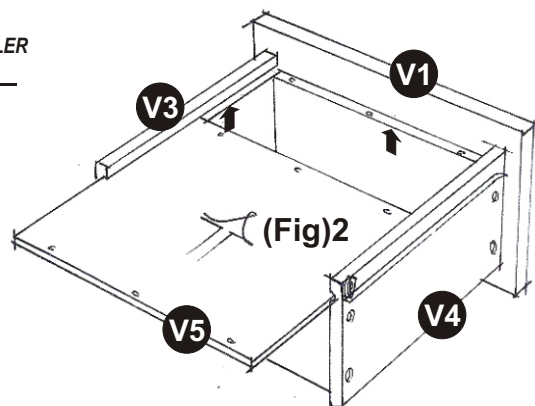


(Fig) 1

Assemble the Front Part (V1), Side Part (V3), (V4) and Back Part (V2). Using a *Philips* screw driver, insert 1" screws into each of the 4 pre-drilled holes Side Part of the (V3) and (V4), then tighten half way.

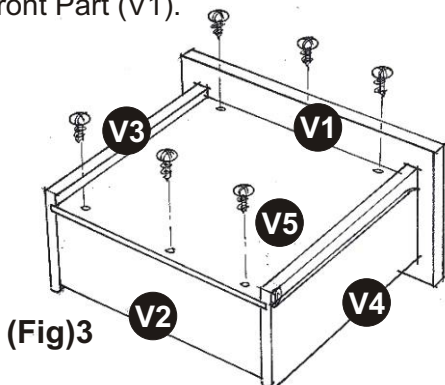
(Fig) 2

Turn the assembled drawer over and slide the Plywood Base Part (V5) into the grooves on Side Parts (V3) and (V4). Be sure to push the plywood all the way forward so it meets the Front Part (V1).



(Fig) 3

Insert the remaining (6)  $\frac{1}{2}$ " screws into the pre-drilled holes in Base Part (V5), then tighten all screws



(Fig) 4

Assemble the Pull Handle with Machine Screw on the Front Part (V1).

