



PLEASE DO NOT RETURN TO THE STORE!

Missing or damaged parts? Contact us for free replacements and get an extra 6-month warranty.
E-mail: Nicesure-aftersales@outlook.com.

ASSEMBLY INSTRUCTION:

1.Initial Tightening

Use a hex key (Allen wrench), not a power drill, to tighten each screw to about 50% before fully securing any of them. Fully tightening one screw too early may cause others to misalign.

2.Final Tightening

Once all parts are aligned, gradually and evenly tighten all screws using the proper tools.

3.Misalignment Fix

If some screws don't line up, loosen all screws to 50%, adjust the parts, and try again.

4.Stability Issue

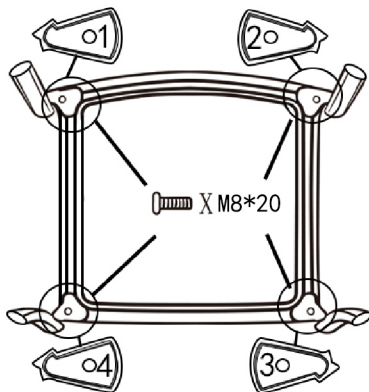
If the item feels unstable, loosen all screws, adjust it on a flat surface, then retighten them evenly.

Hardware Fittings

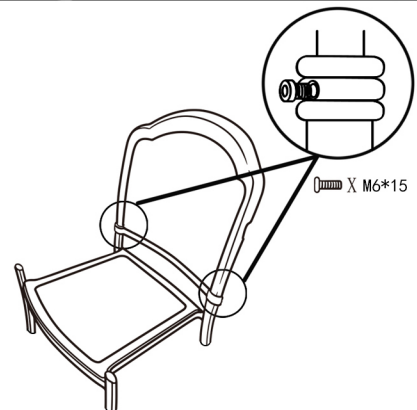
Item No.	Reference Image	Description	Qty.	Extra Spare Parts Qty.
A		screw M8*20	6	1
B		screw M6*15	4	1
C		spring washer for M6	4	1
D		spring washer for M8	6	1
E		washer for M6	4	1
F		washer for M8	6	1
G		Screw cap	10	1

Item No.	Reference Image	Description	Qty.	Extra Spare Parts Qty.
H		allen key for M8	1	0
I		allen key for M6	1	0
J				
K				
L				
M				
N				

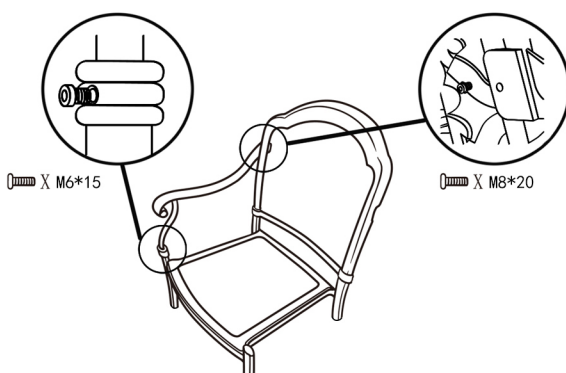
Step1



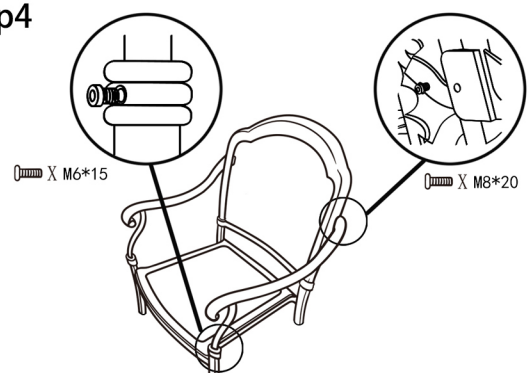
Step2



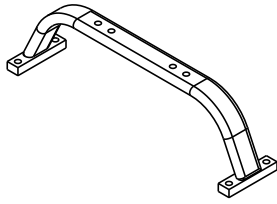
Step3



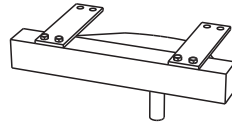
Step4



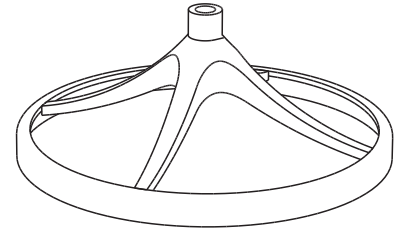
Part List



A.
Bracket
1 pc.

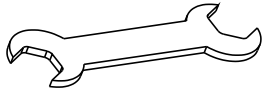


B.
Connector
1 pc.

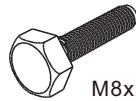


C.
Base
1 pc.

Hardware List



Spanner
1 pc



M8x20
Bolt
4 pcs



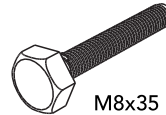
Flat Washer
4 pcs



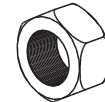
Spring Washer
8 pcs



Flat Washer
2 pcs



M8x35
Bolt
4 pcs

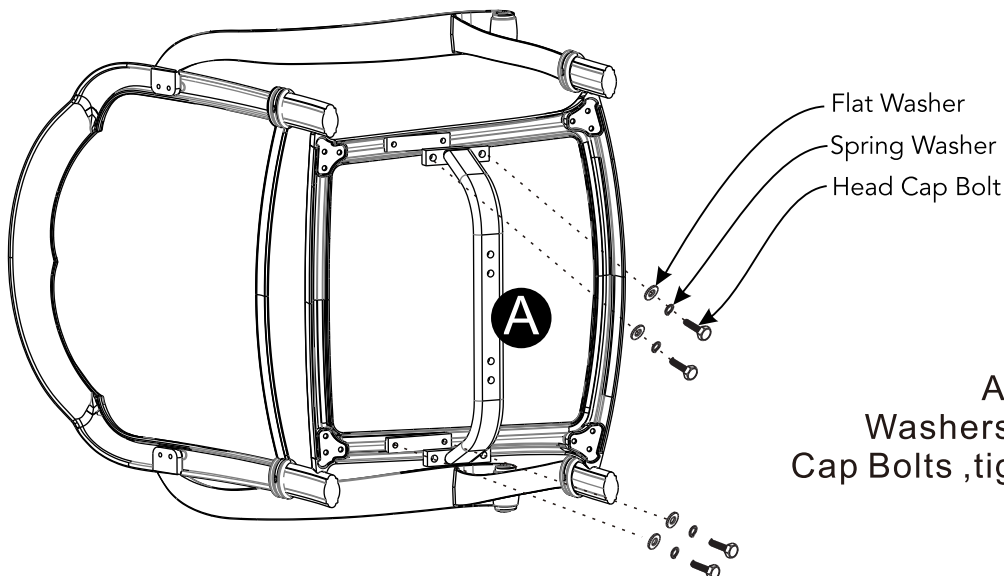


Nut
4 pcs

Assembly Instructions 1/2

IMPORTANT

- Use a soft cloth between these parts and the floor.
- Do not use power tools above 8 volts to assemble.
- Do not tighten all the bolts until each part is properly assembled.
- The unit must be level to work properly. Use the included adjustable levelers to level.
- Keep Wrench as the bolts may need to be tightened in the future.



STEP 1

Place frame on a soft cloth.

Attach unit to Frame with Flat Washers, Spring Washers and Head Cap Bolts, tightening bolts only halfway.

Tighten all Bolts.

STEP 2

Attach unit to Connector (B) with Bolts, Flat Washers, Spring Washers and Nuts, tightening bolts and nuts only halfway. (See Figure 1)

Tighten all Bolts and Nuts.

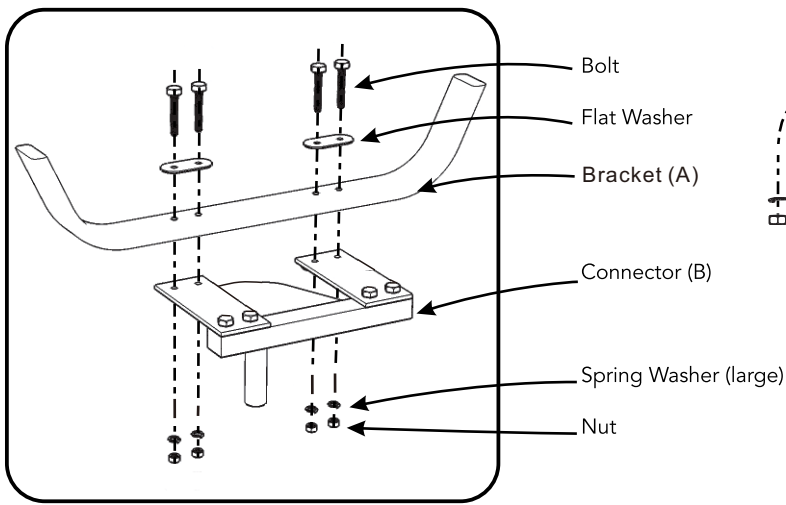
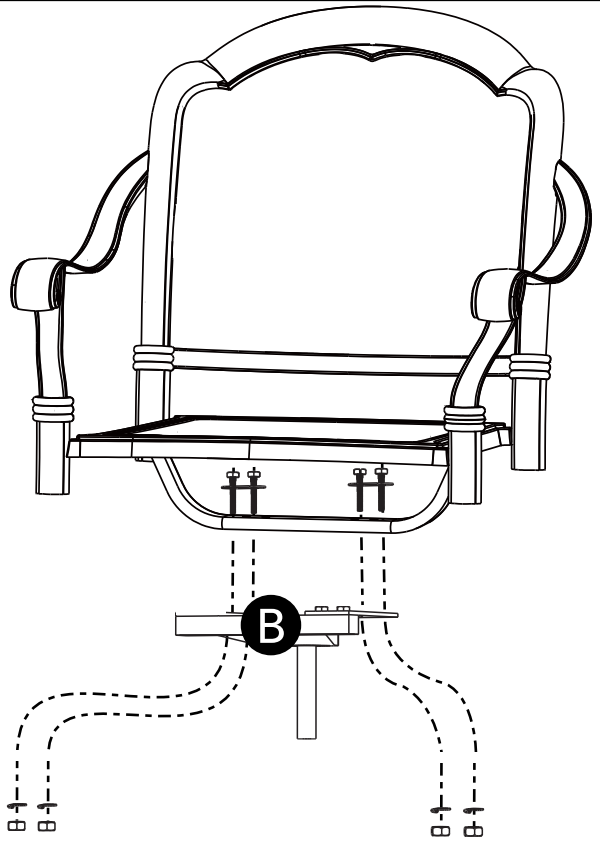
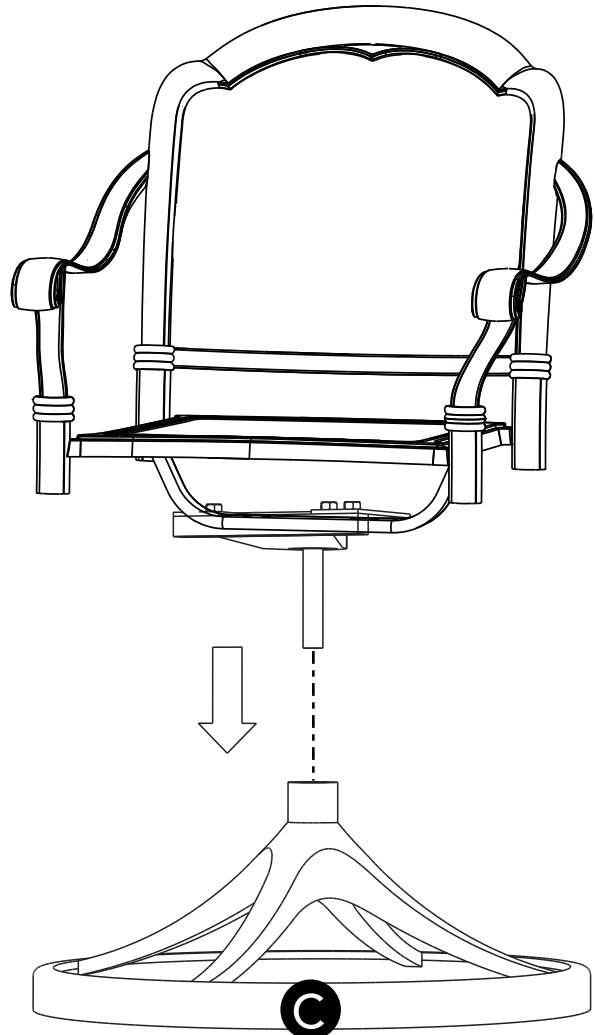


Figure 1



STEP 3

Place unit onto Base (C).