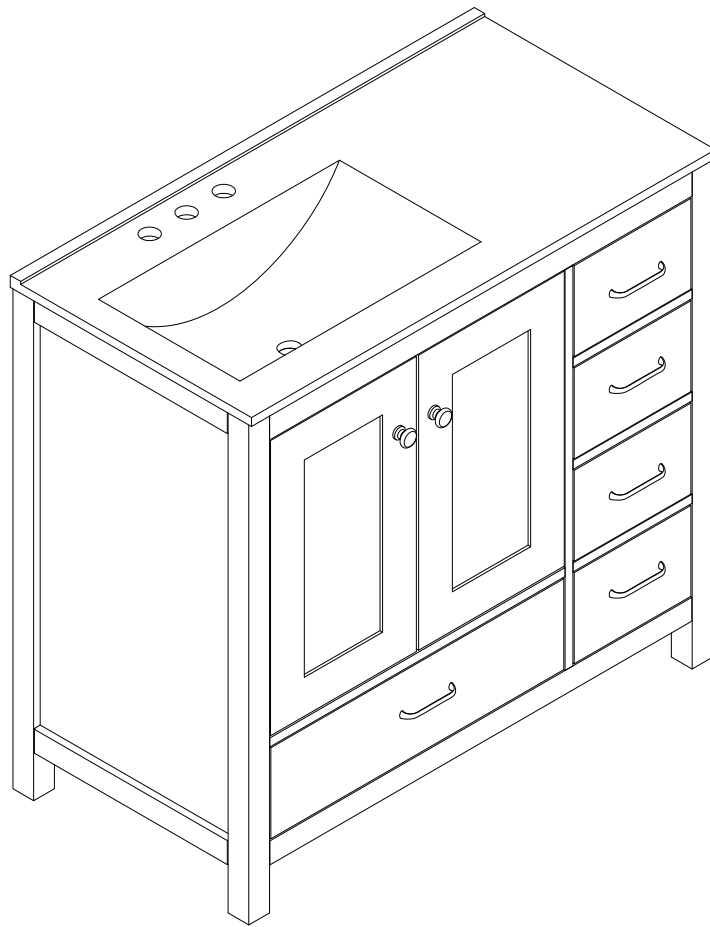
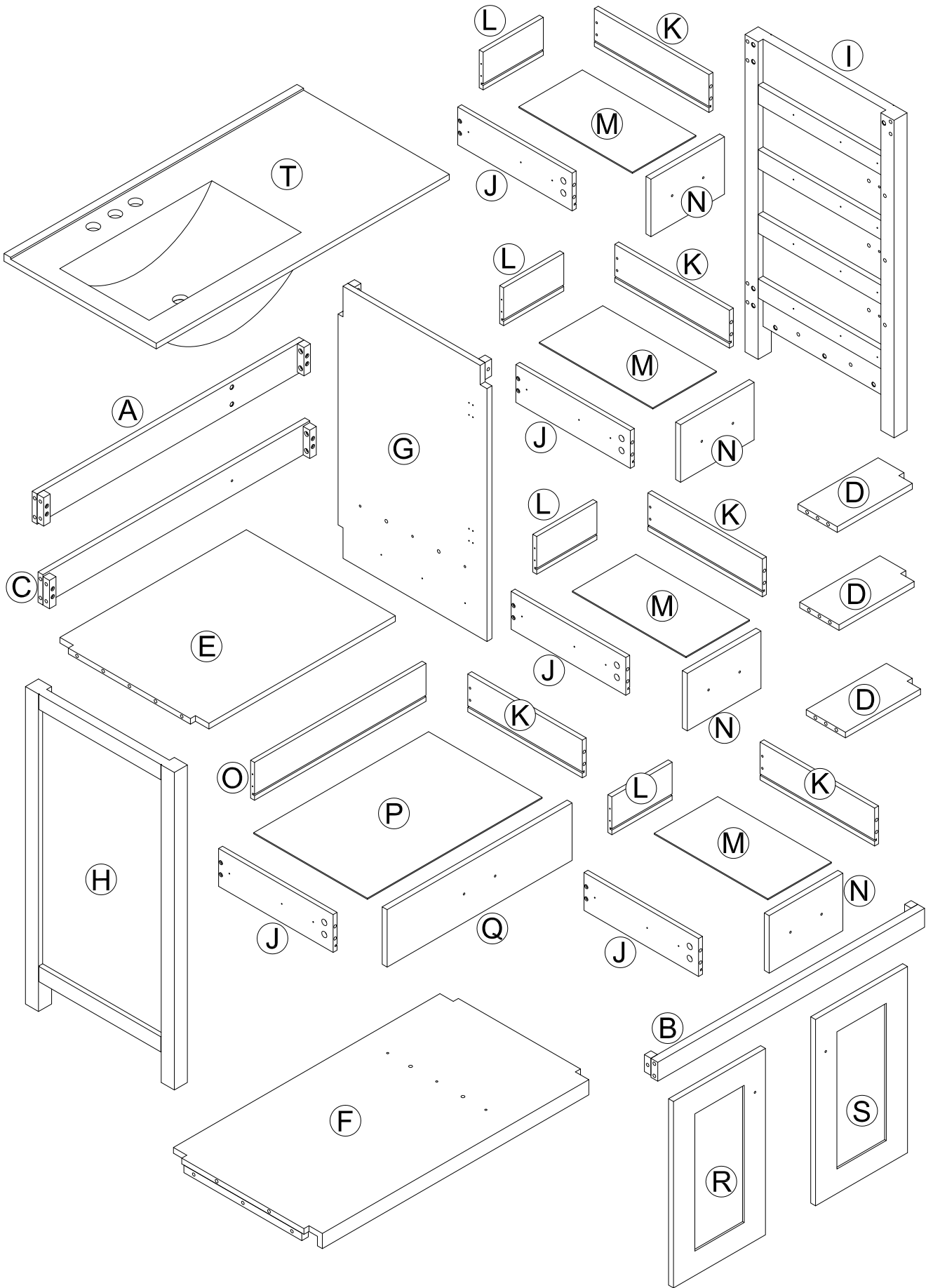


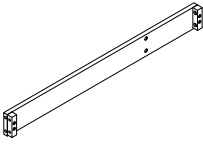
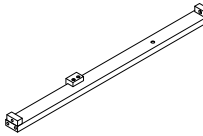
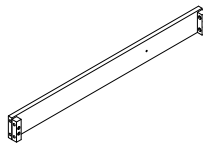
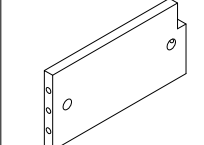
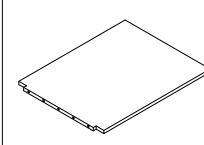
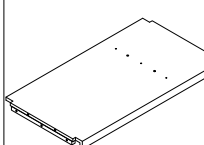
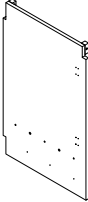
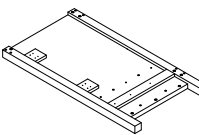
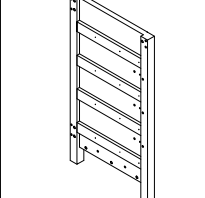
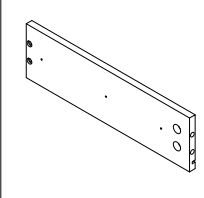
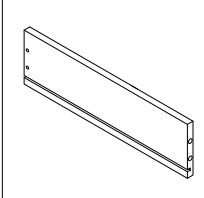
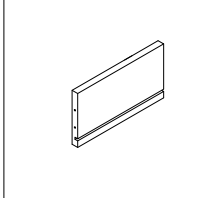
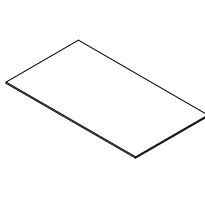
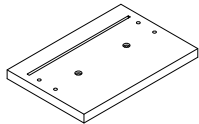
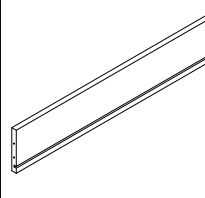
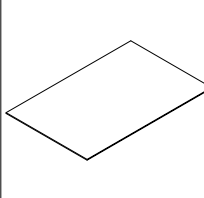
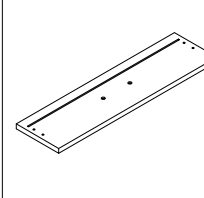
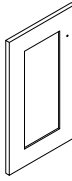

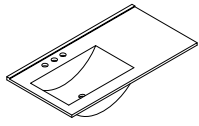
ASSEMBLY INSTRUCTIONS

BATHROOM VANITY

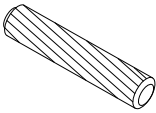
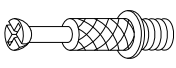
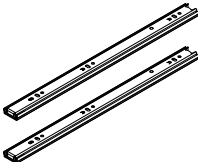

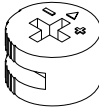
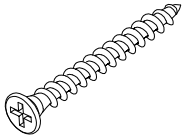
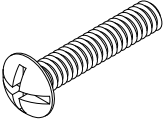
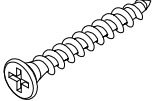



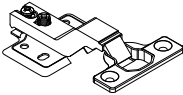
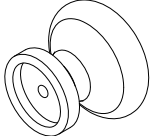




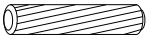
PRODUCT PARTS:

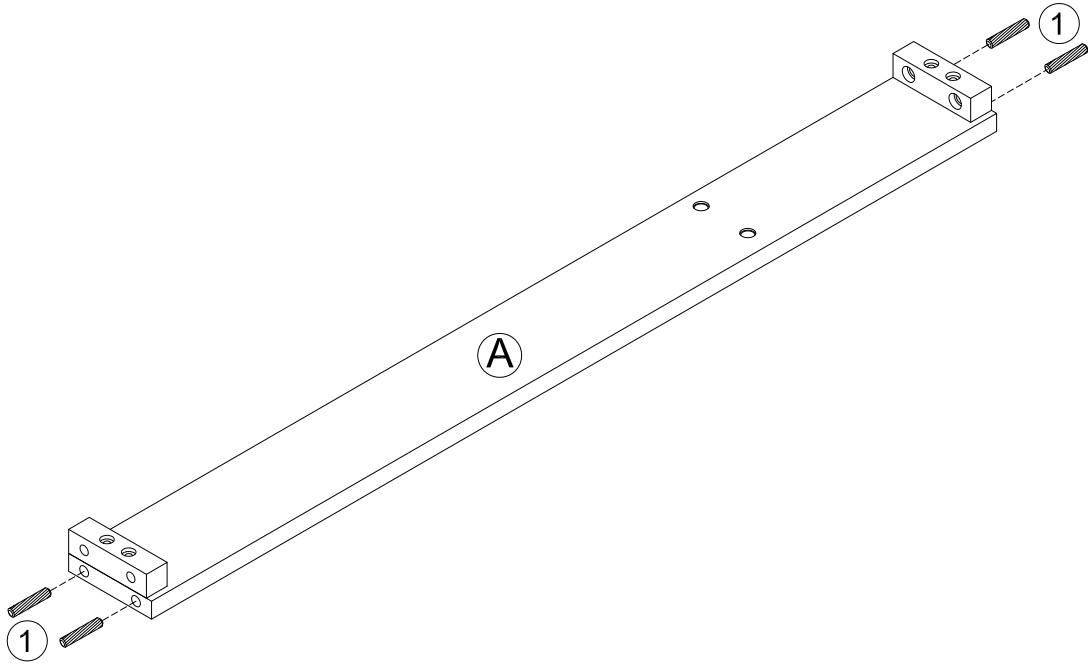
A	B	C	D	E	F
					
1PC	1PC	1PC	3PCS	1PC	1PC
G	H	I	J	K	L
					
1PC	1PC	1PC	5PCS	5PCS	4PCS
M	N	O	P	Q	R
					
4PCS	4PCS	1PC	1PC	1PC	1PC
S	T				
					
1PC	1PC				

HARDWARE:

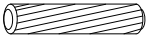
①	②	③	④	⑤	⑥
					
Ø8x30mm	Ø6x33mm	14"x35mm	Ø3x10mm	Ø15x9mm	Ø4x35mm
34+2 PCS	32+2 PCS	5 SET	60+2 PCS	32+2 PCS	4 PCS
⑦	⑧	⑨	⑩	⑪	⑫
					
1/4"x25mm	Ø4x25mm	5/32"x18mm	5PCS	Ø4x12mm	4PCS
19+1PCS	20+2PCS	12 PCS		24+2PCS	4PCS
⑬					
					
2PCS					

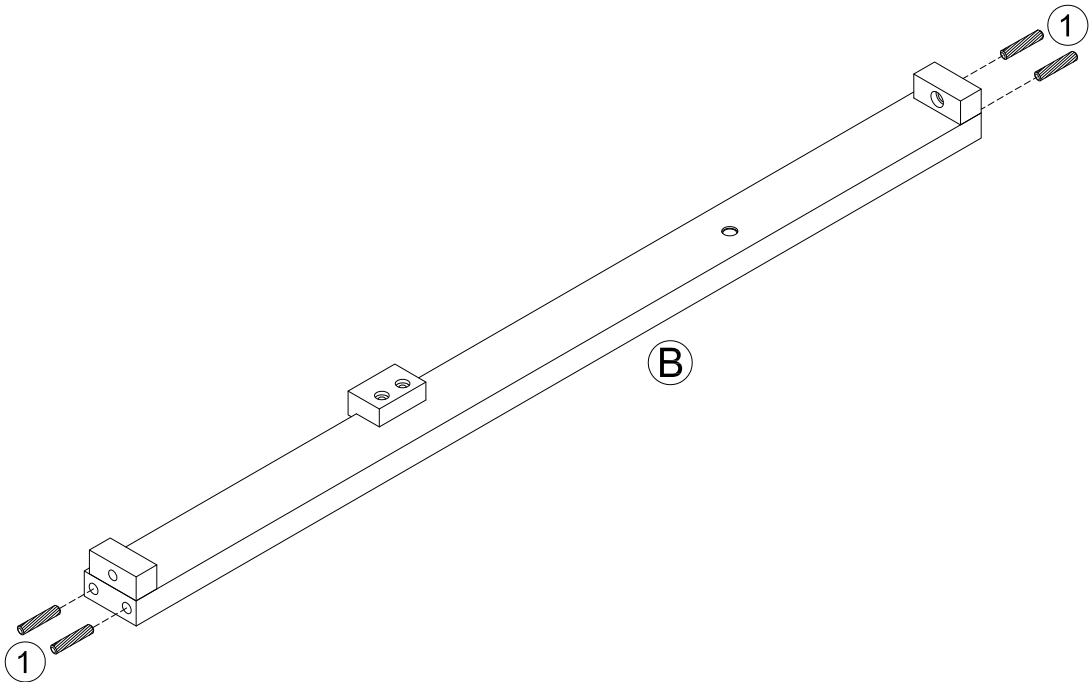
STEP 1

①  4pcs
Ø8x30mm

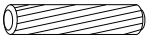


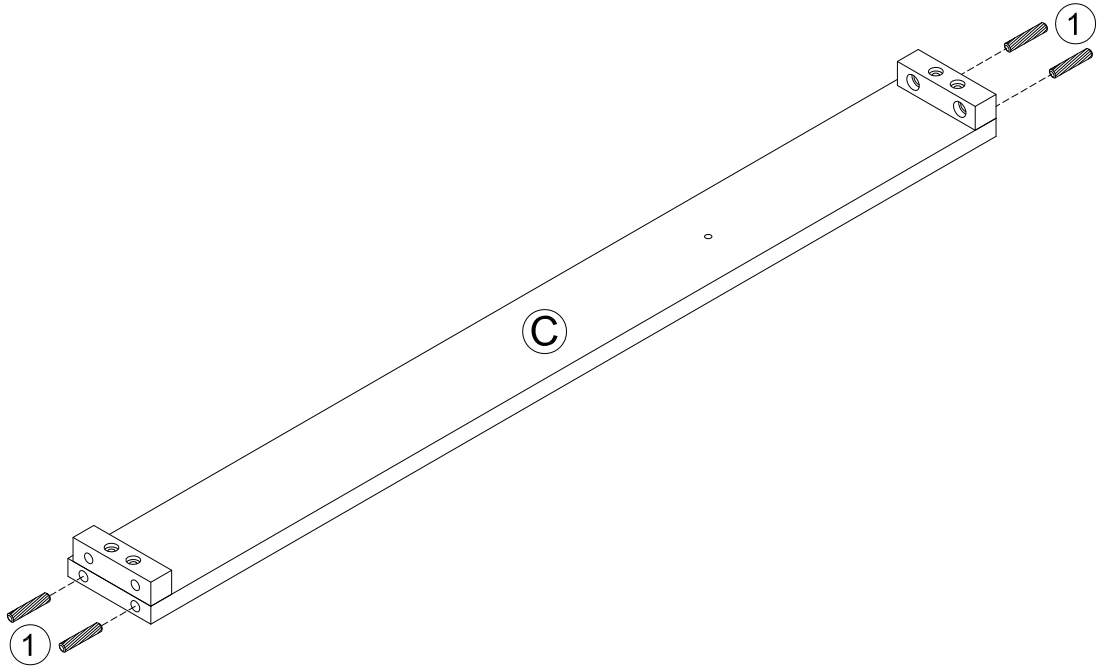
STEP 2

①  4pcs
Ø8x30mm

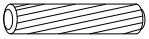


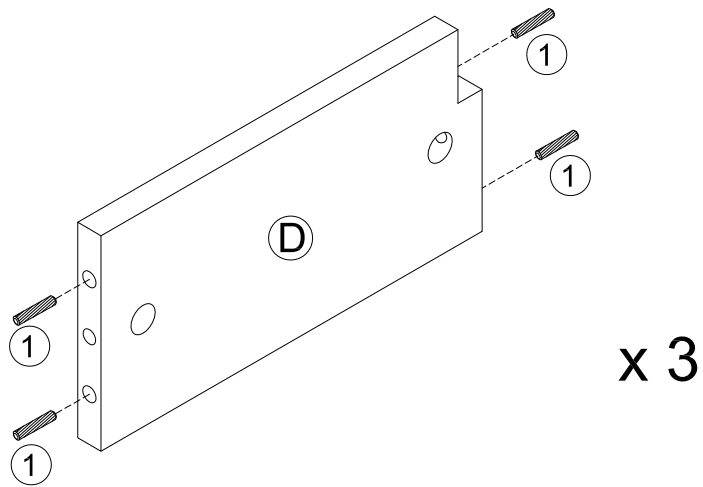
STEP 3

①  4pcs
Ø8x30mm

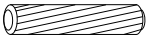


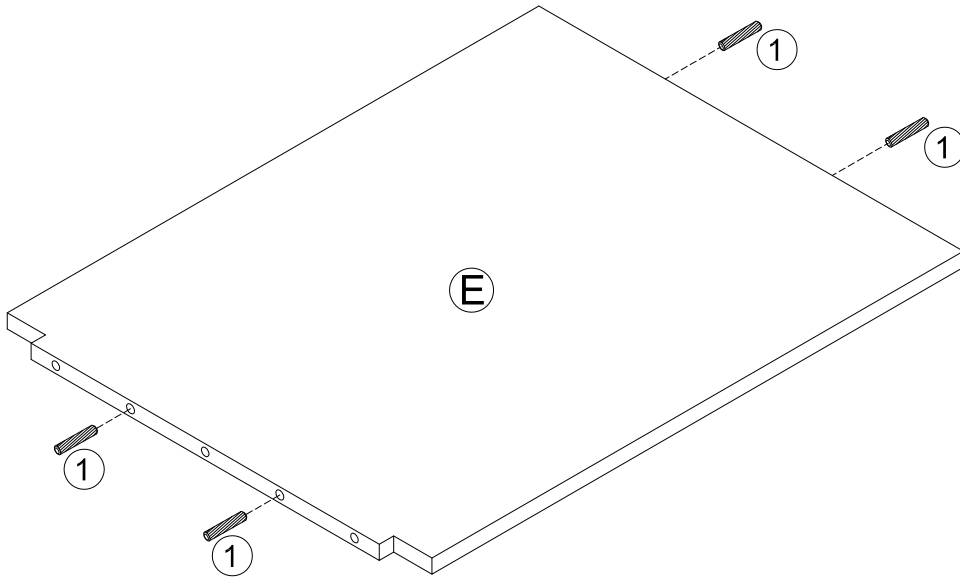
STEP 4

①  12pcs
Ø8x30mm

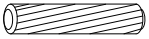


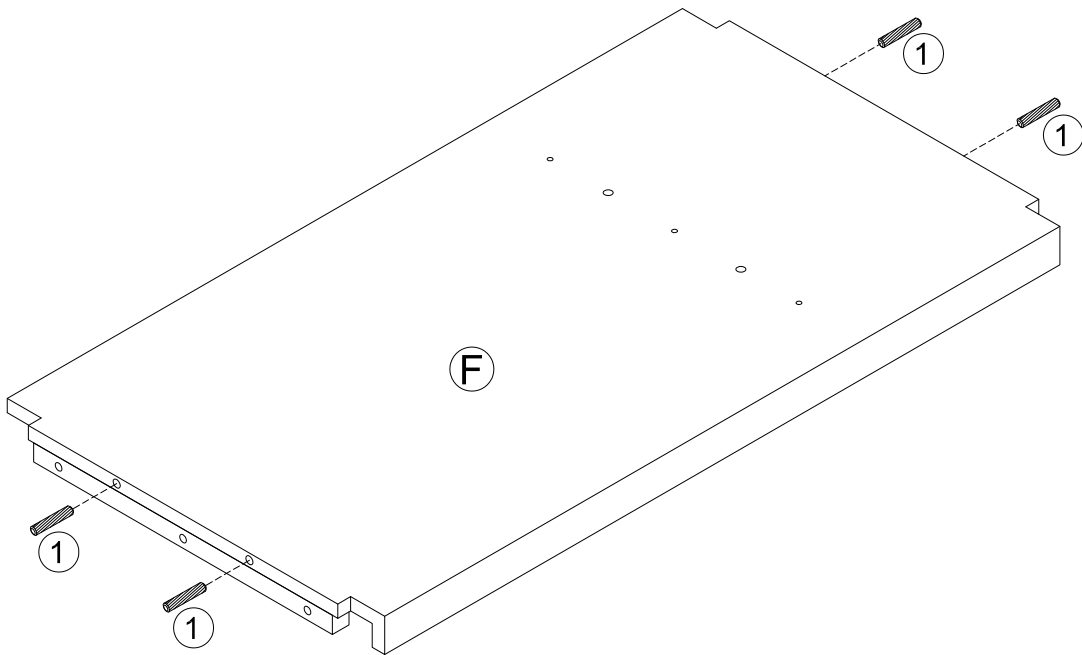
STEP 5

①  4pcs
Ø8x30mm





STEP 6

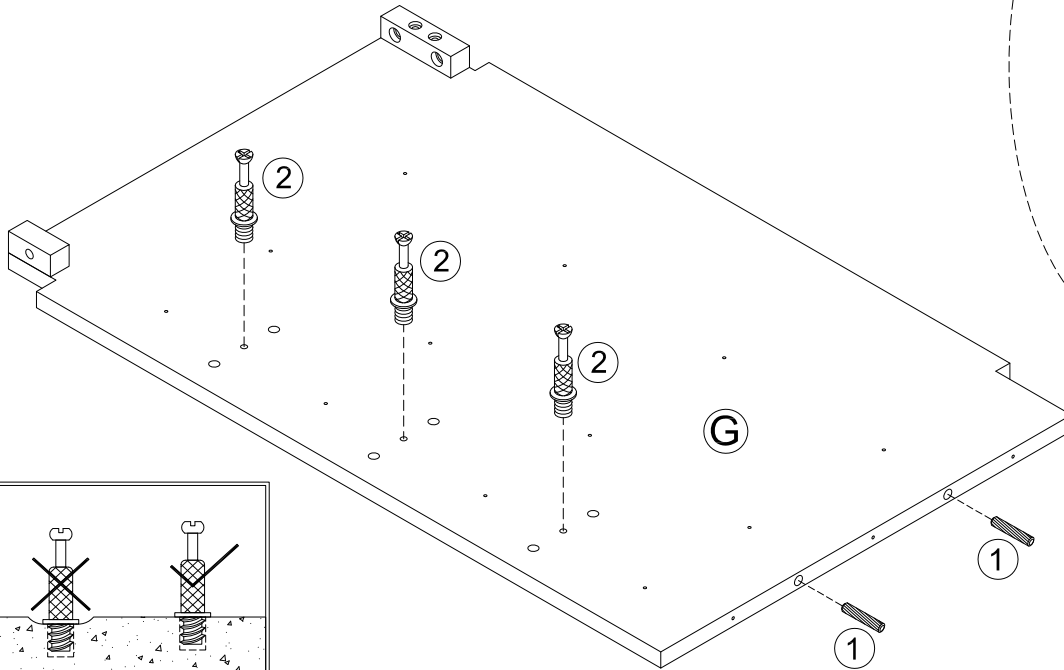
①  4pcs
Ø8x30mm



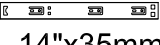
STEP 7

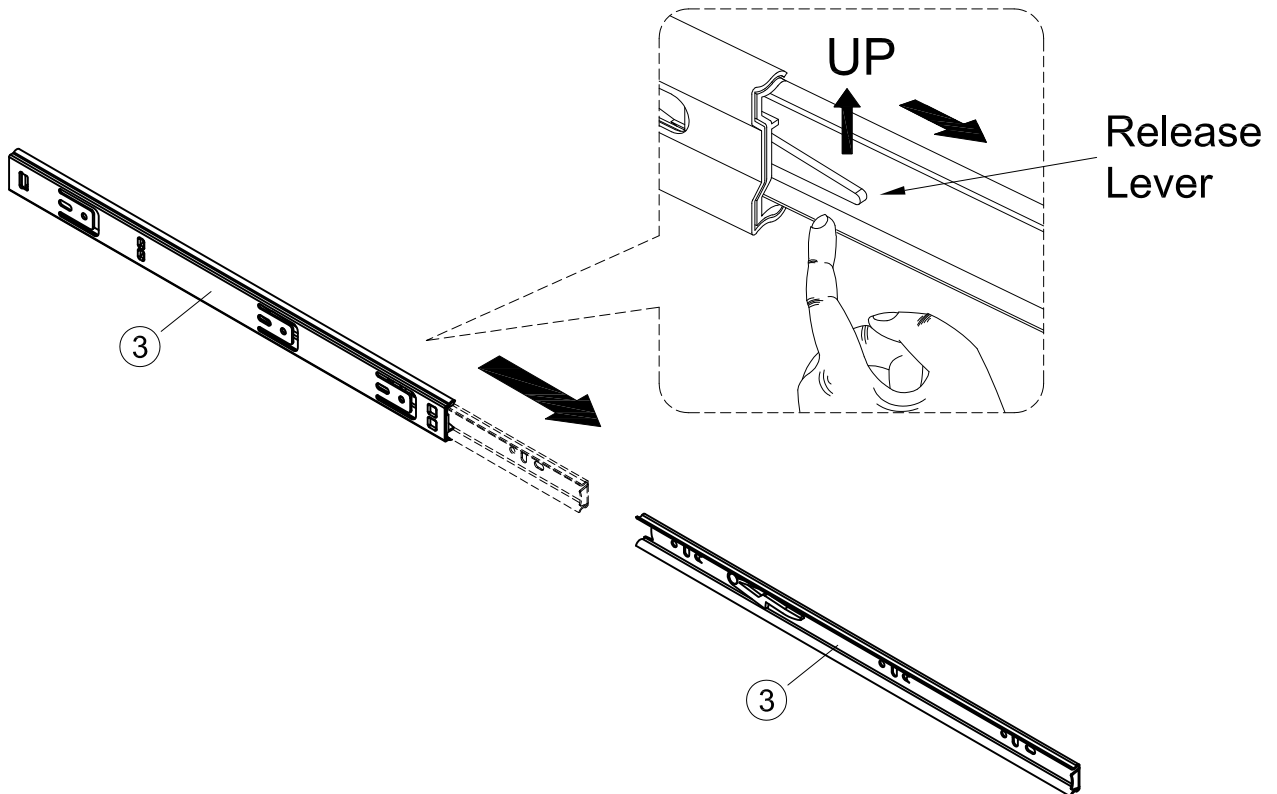
②  3pcs
Ø6x33mm

①  2pcs
Ø8x30mm



STEP 8

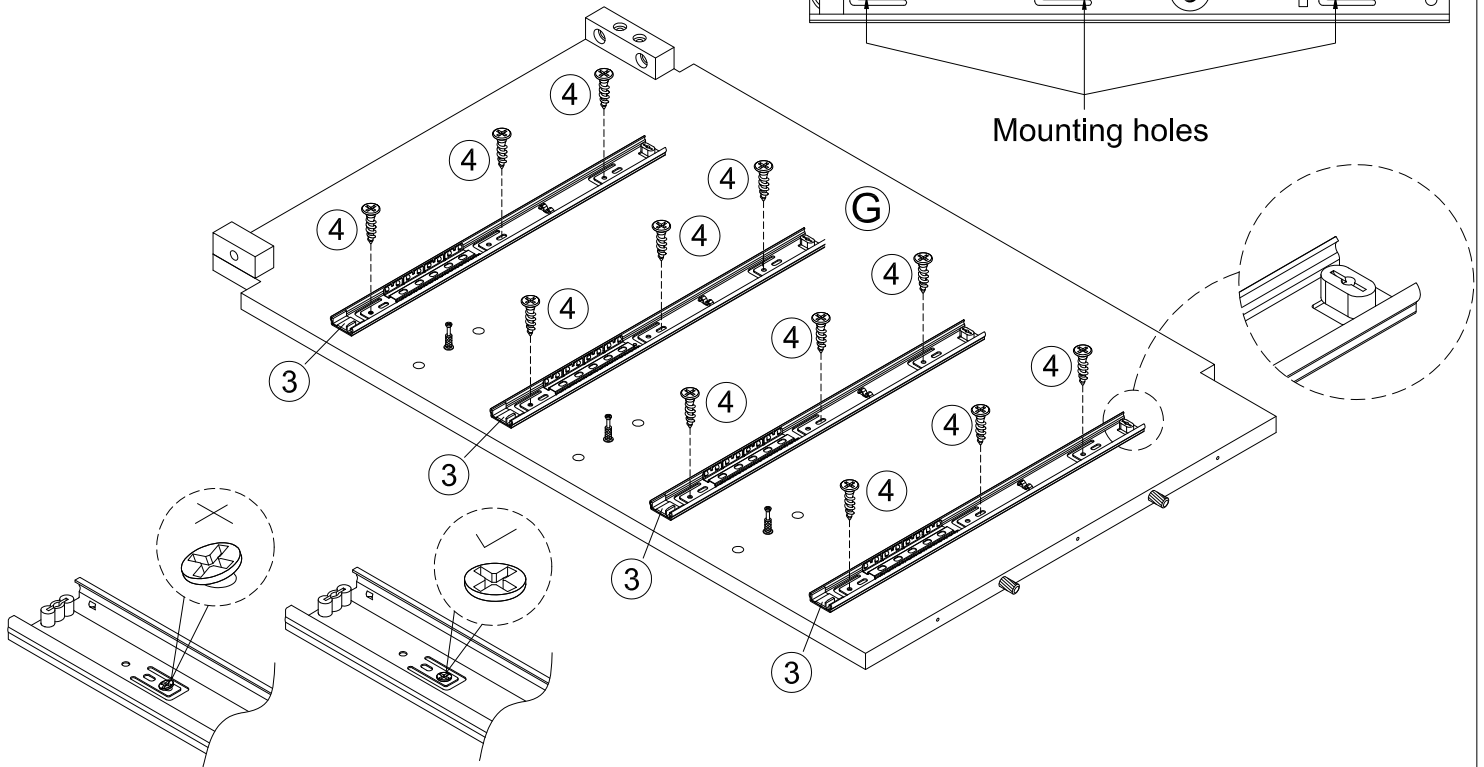
③  5SET
14"x35mm



STEP 9

③ 14"x35mm 4pcs

④ Ø3x10mm 12pcs



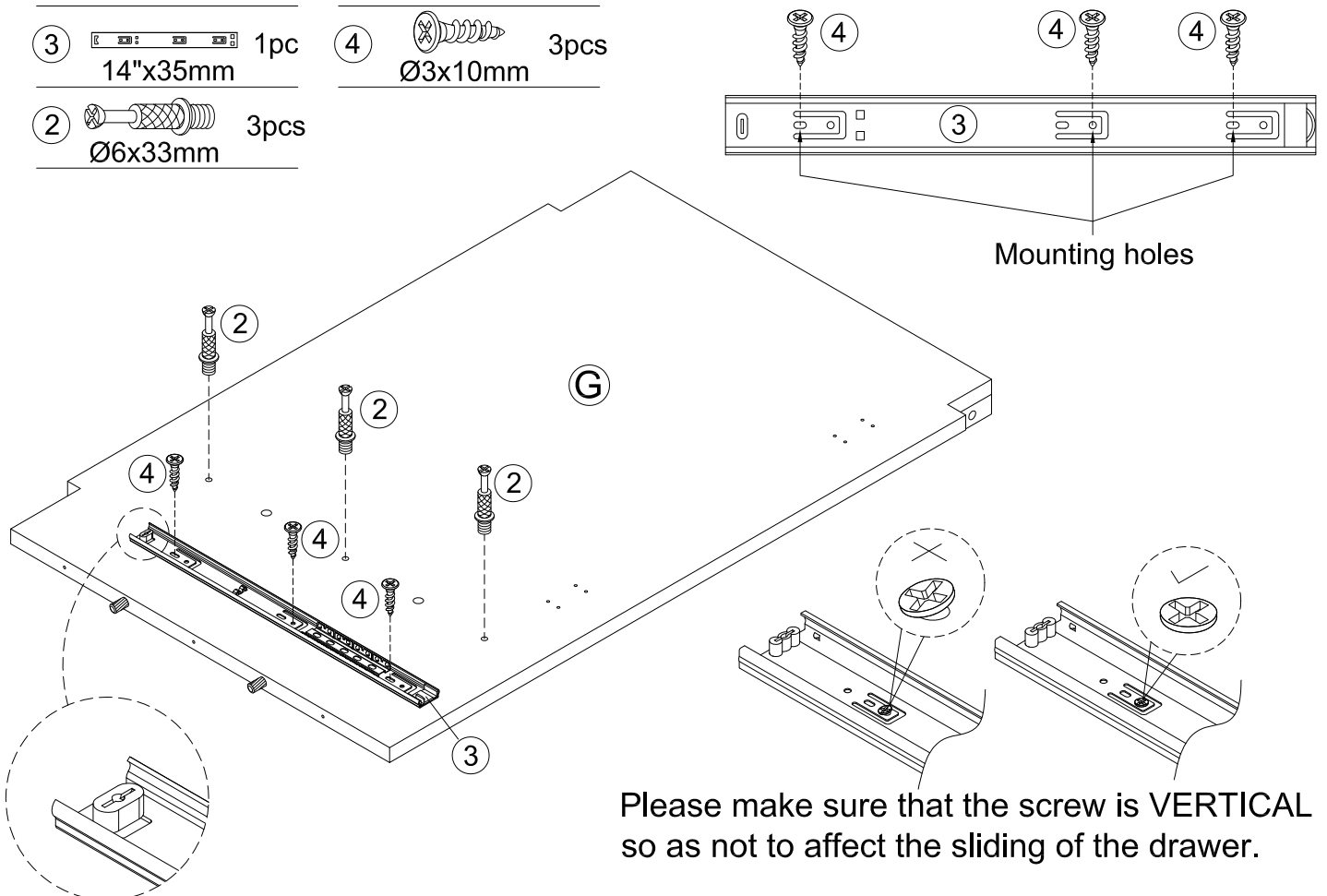
Please make sure that the screw is VERTICAL so as not to affect the sliding of the drawer.

STEP 10

③ 14"x35mm 1pc

④ Ø3x10mm 3pcs

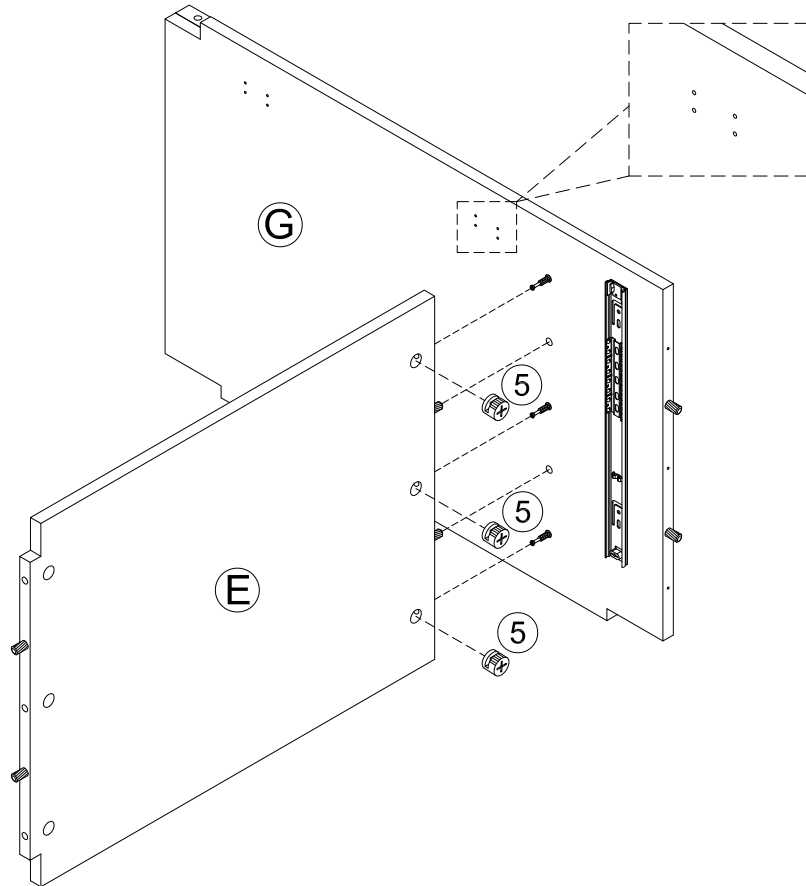
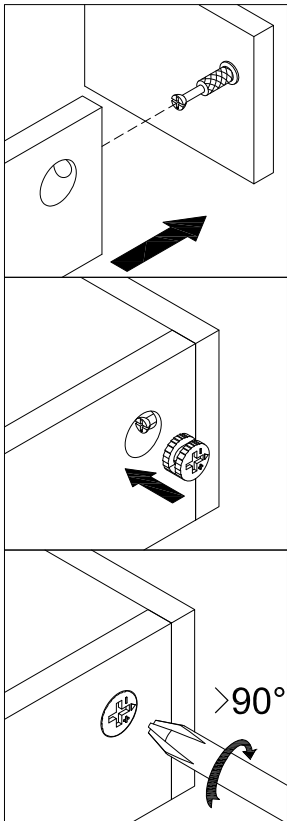
② Ø6x33mm 3pcs



Please make sure that the screw is VERTICAL so as not to affect the sliding of the drawer.

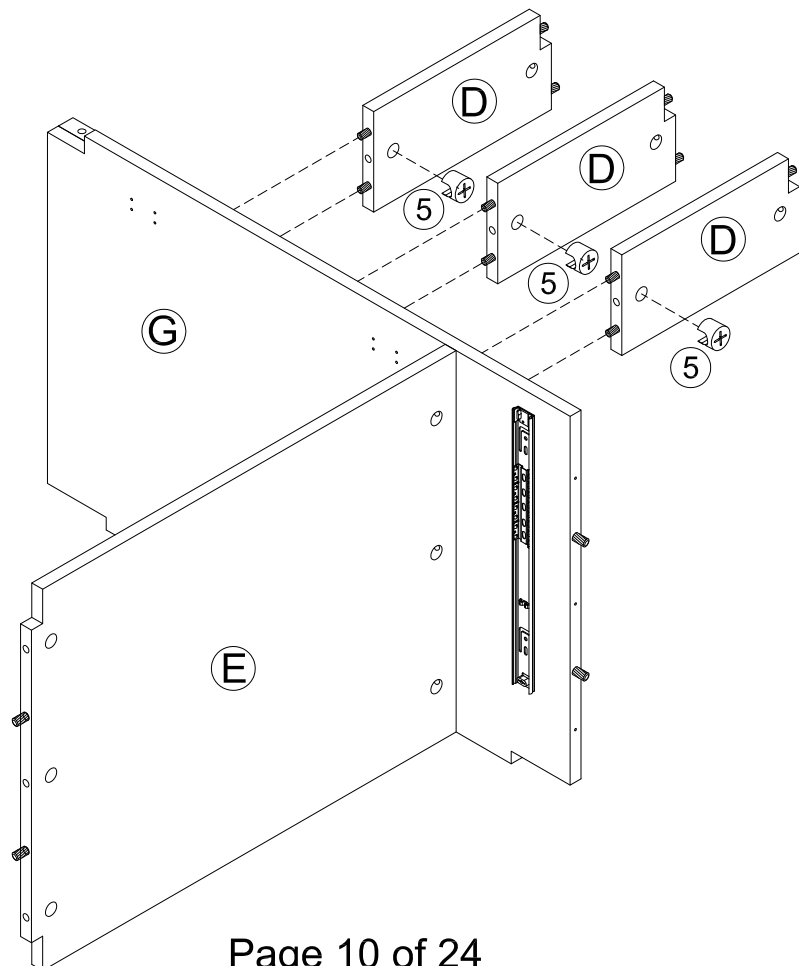
STEP 11

⑤  3pcs
Ø15x9mm

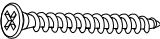


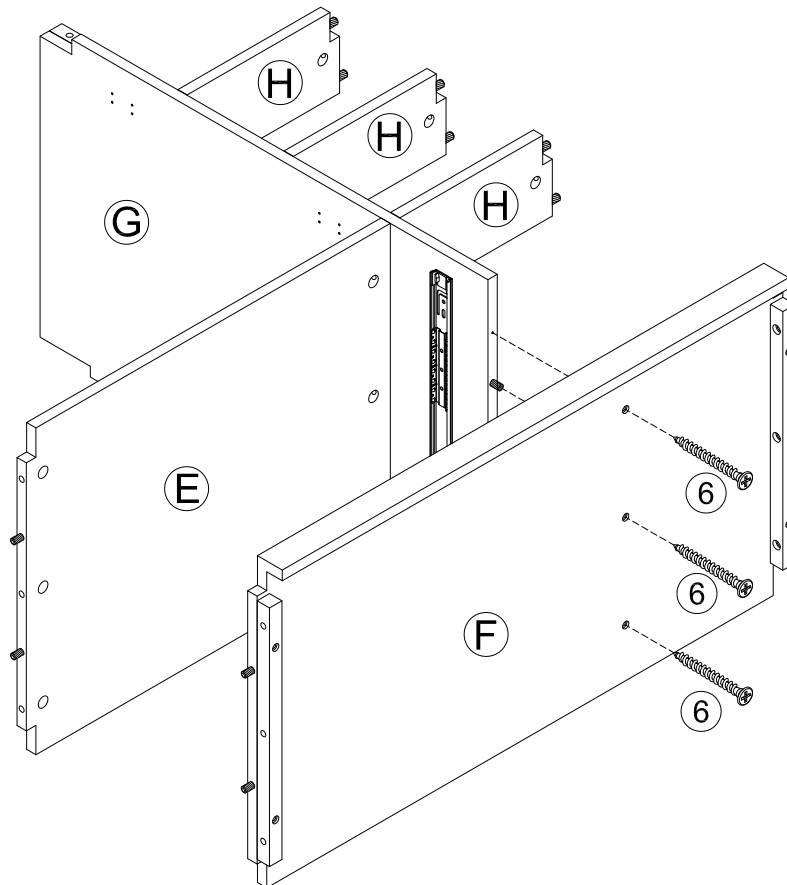
STEP 12

⑤  3pcs
Ø15x9mm

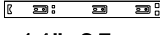



STEP 13


- ⑥  3pcs
Ø4x35

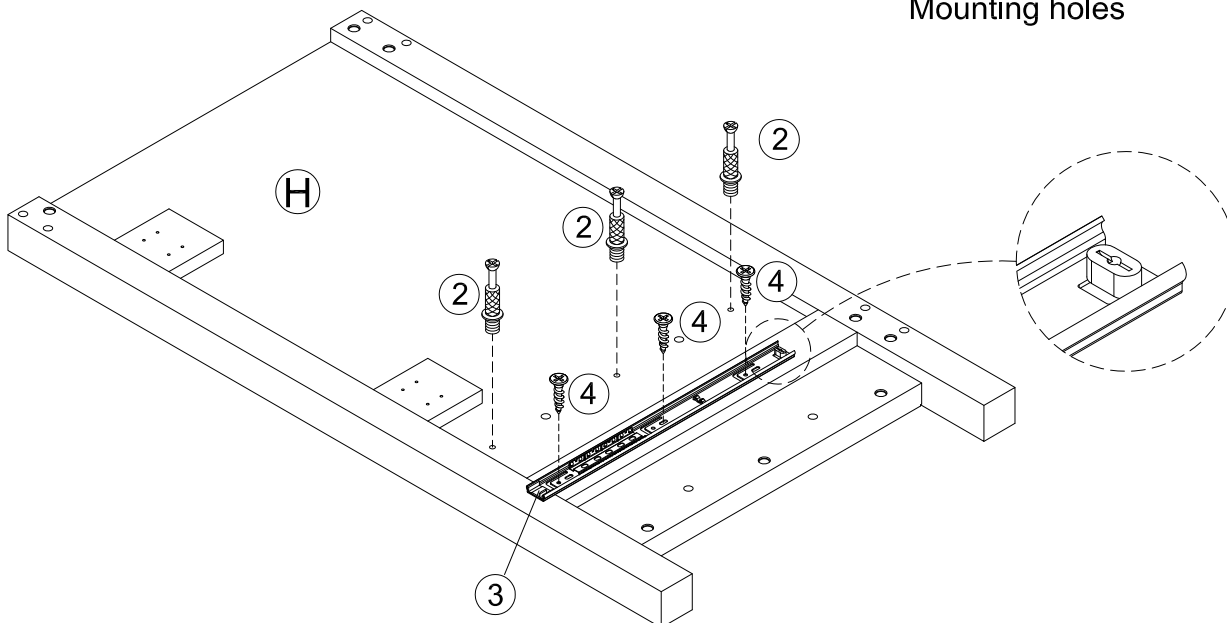
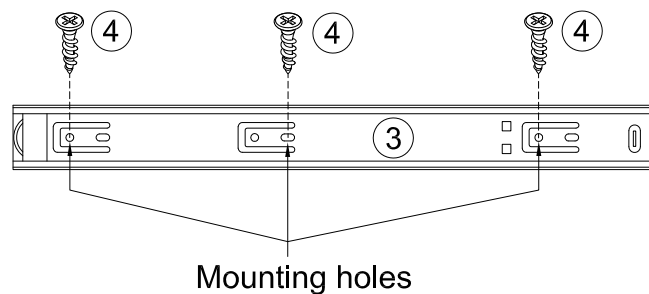


STEP 14

- ③  1pc
14"x35mm

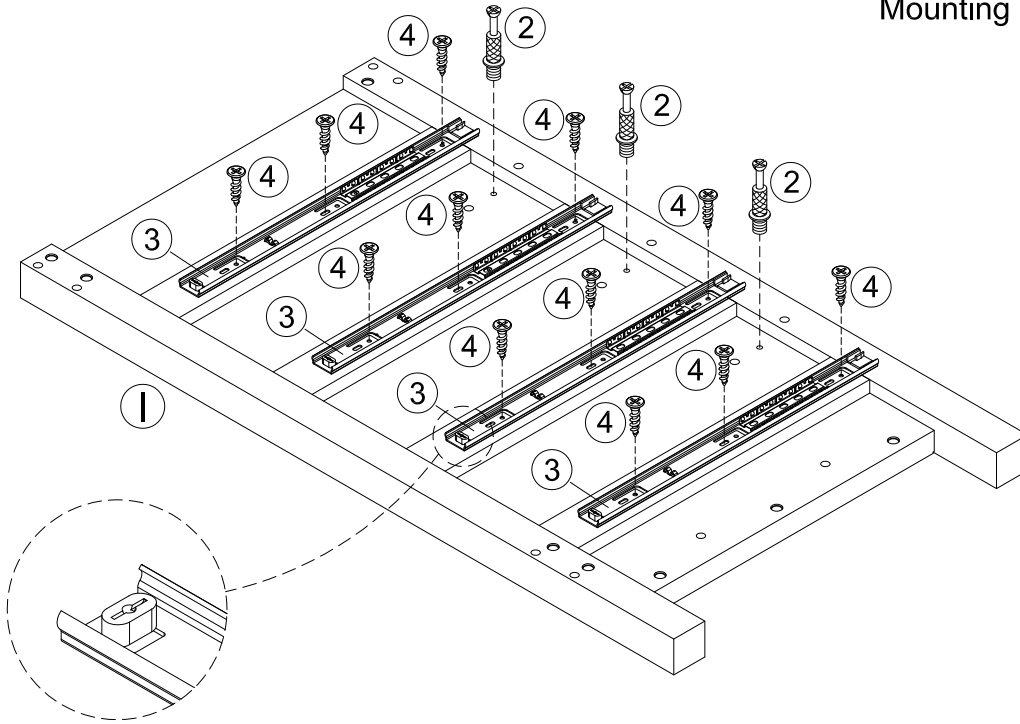
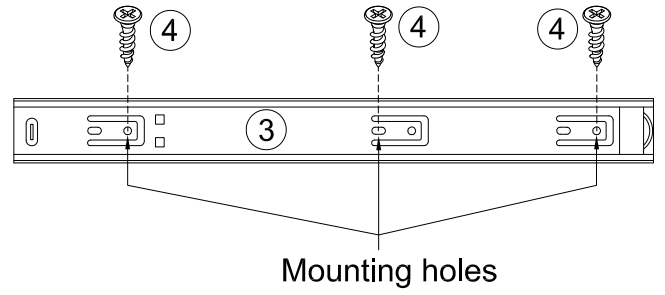
- ④  3pcs
Ø3x10mm

- ②  3pcs
Ø6x33mm



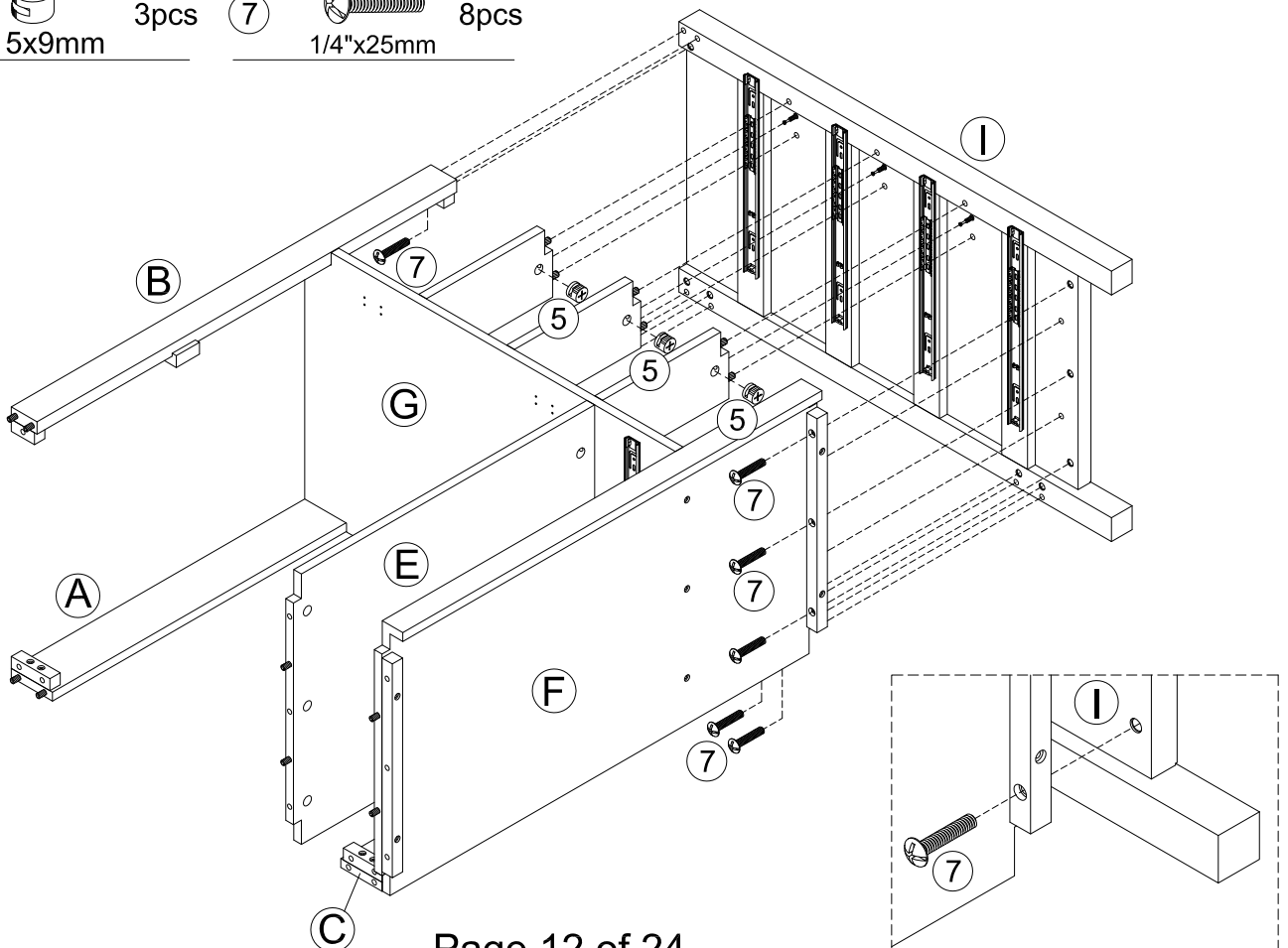
STEP 15

- ③ 14"x35mm 4pcs
- ④ Ø3x10mm 12pcs
- ② Ø6x33mm 3pcs




STEP 16

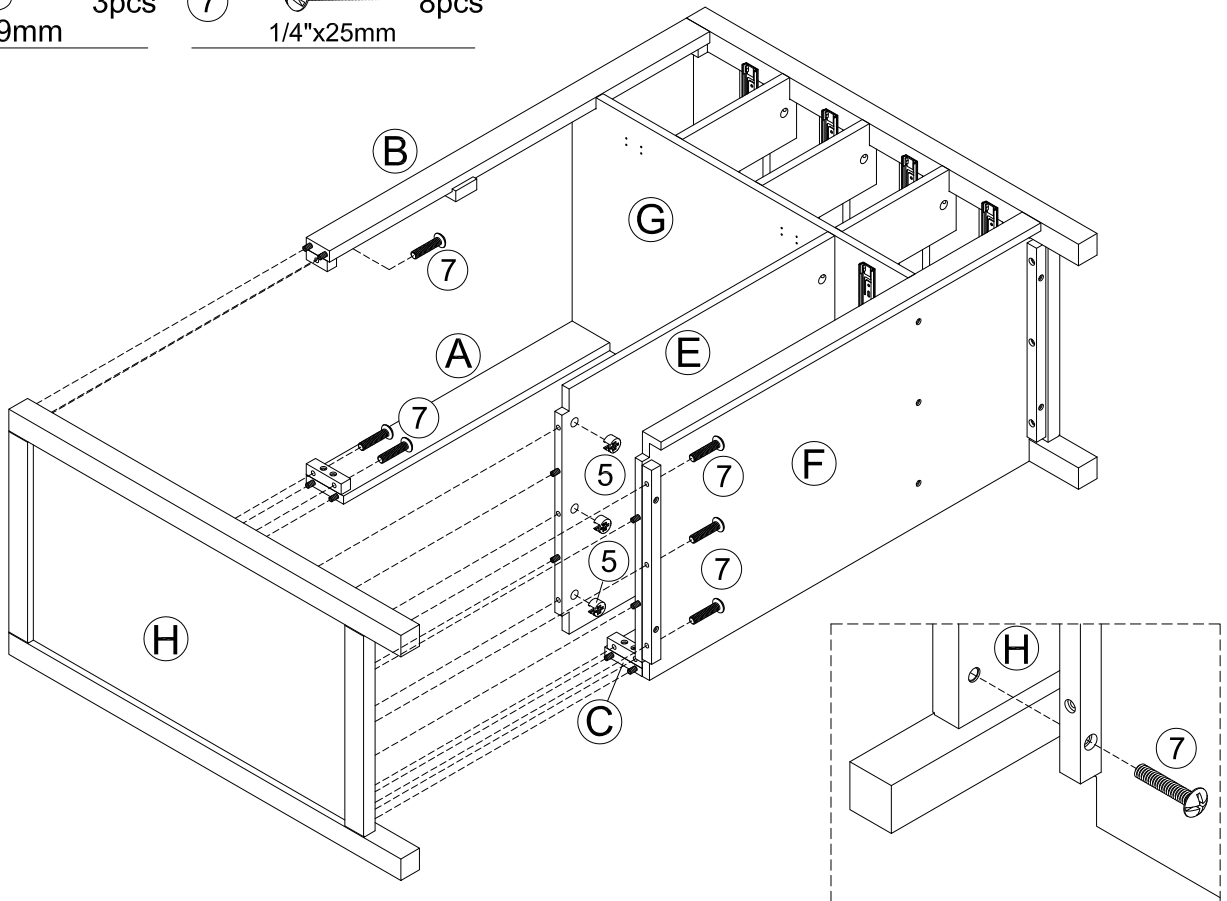
- ⑤ Ø15x9mm 3pcs
- ⑦ 1/4"x25mm 8pcs




STEP 17


5  3pcs
Ø15x9mm

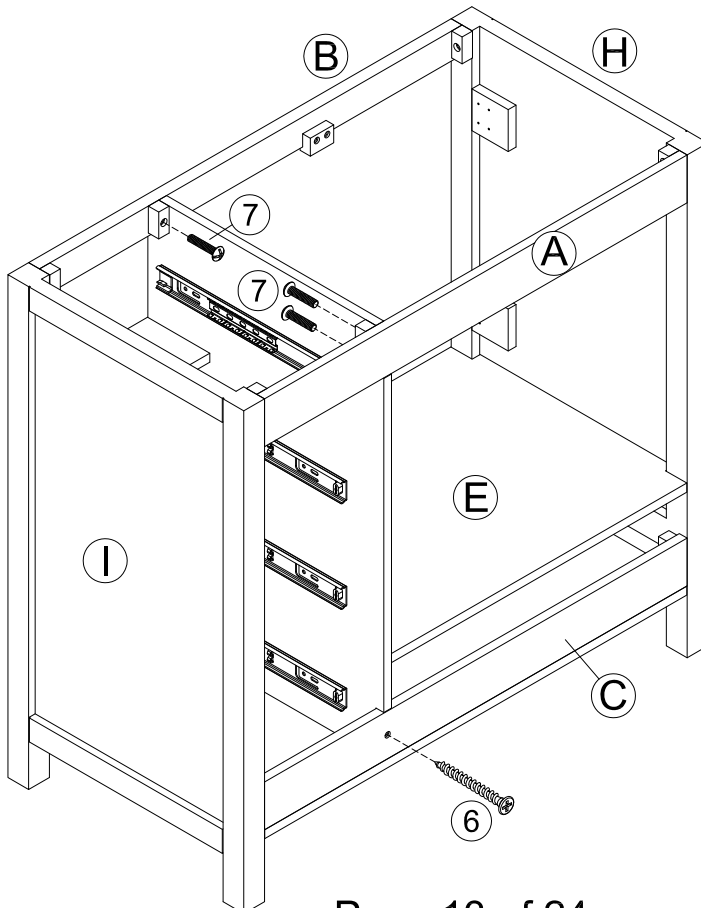
7  8pcs
1/4"x25mm



STEP 18

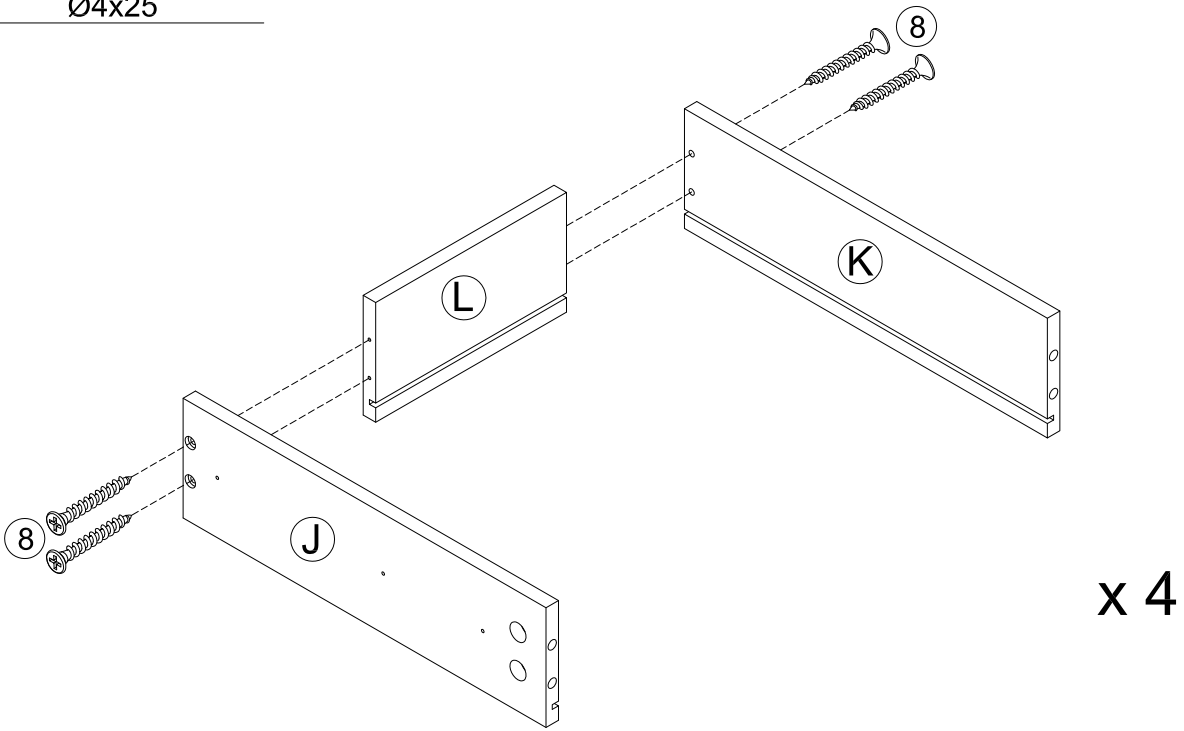
6  1pc
Ø4x35

7  3pcs
1/4"x25mm

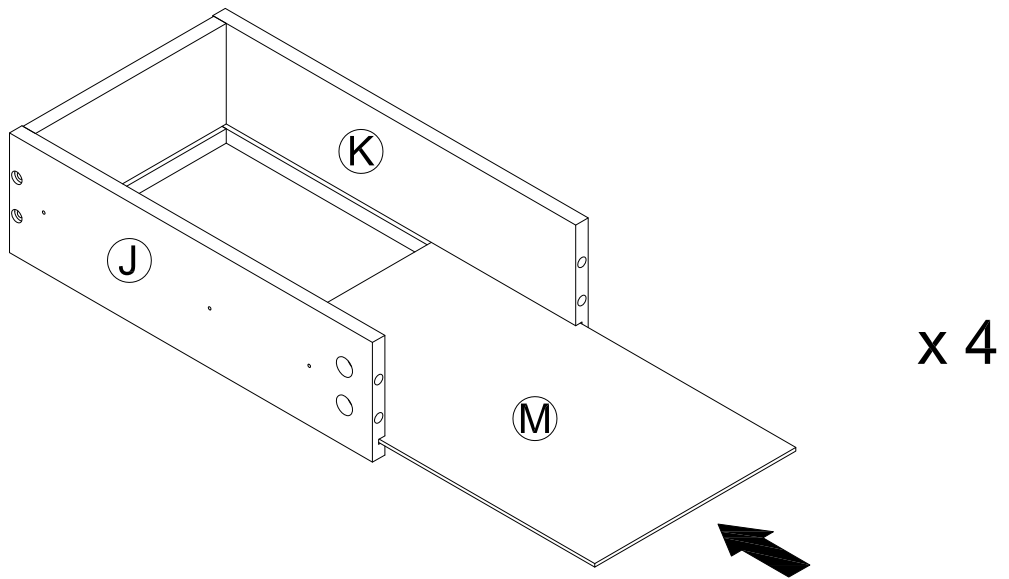


STEP 19


8  16pcs
Ø4x25

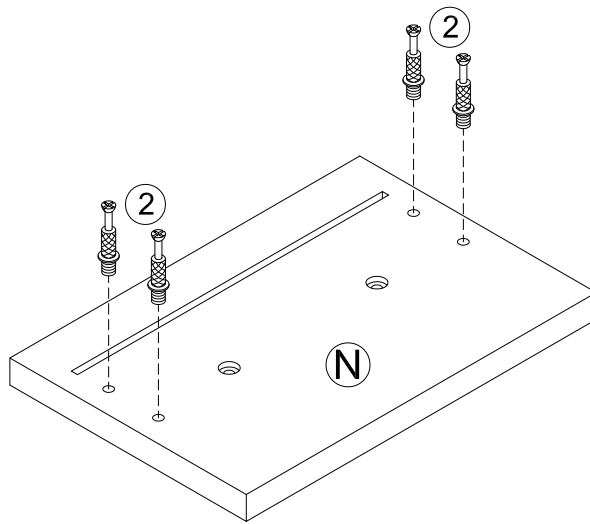


STEP 20



STEP 21

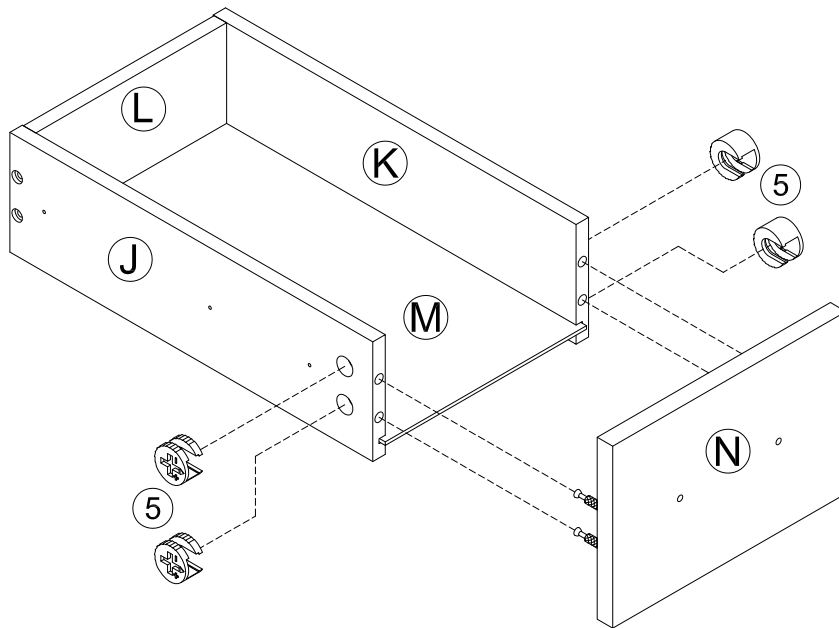
②  16pcs
Ø6x33mm



x 4



STEP 22

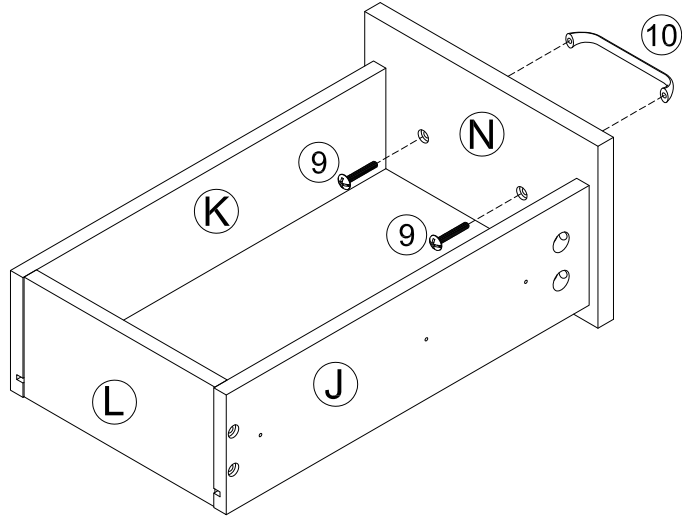
⑤  16pcs
Ø15x9mm



x 4

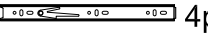

STEP 23

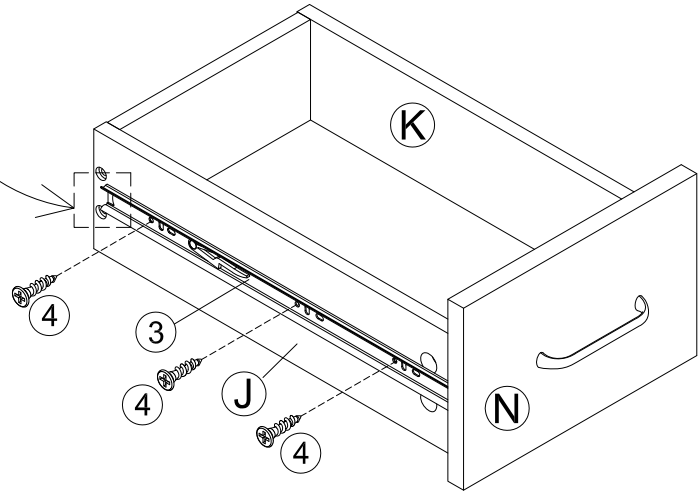
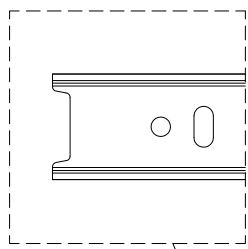
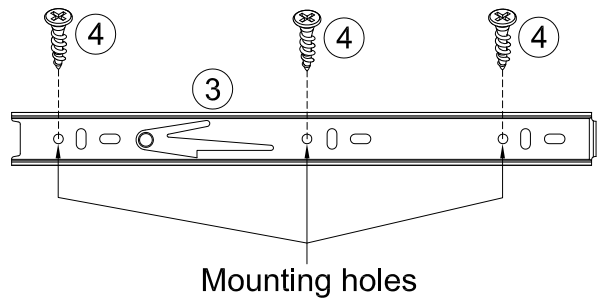
- ⑨  8pcs 5/32"x18mm
- ⑩  4pcs



x 4

STEP 24

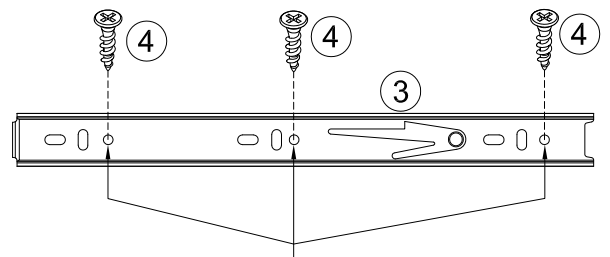
- ③  4pcs
- ④  12pcs Ø3x10mm



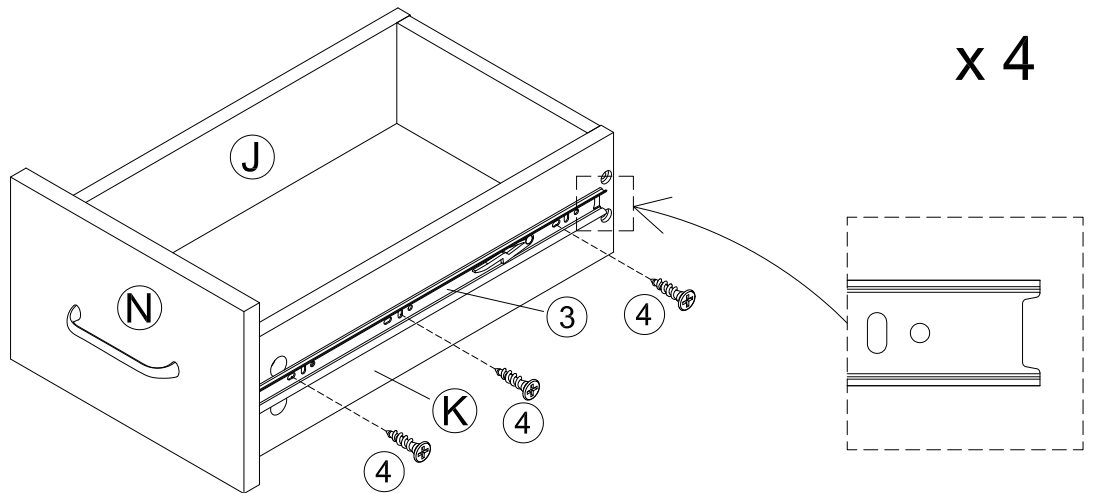
x 4

STEP 25

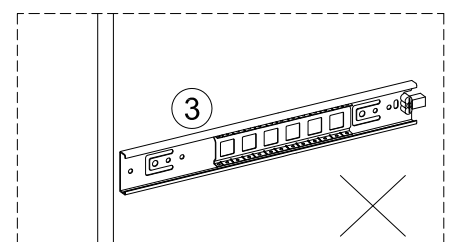
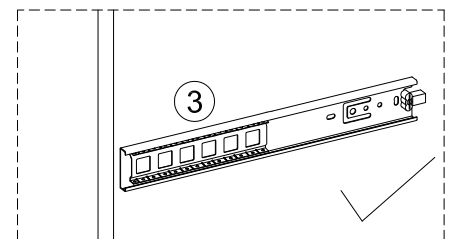
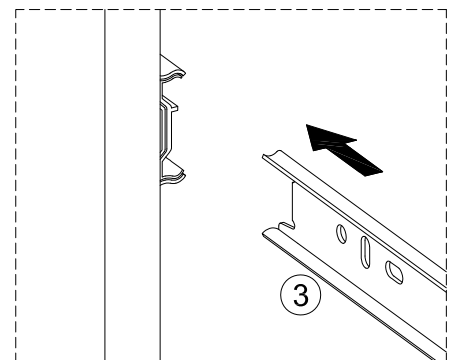
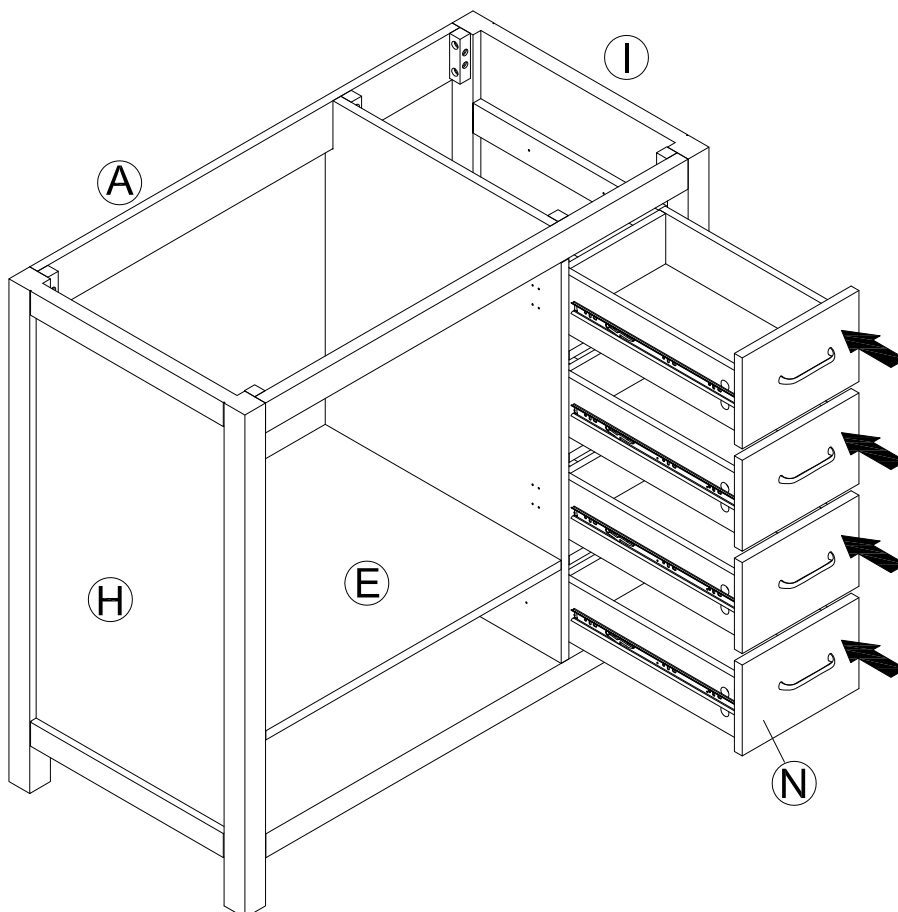
- ③ 4pcs ④ 12pcs
Ø3x10mm




Mounting holes

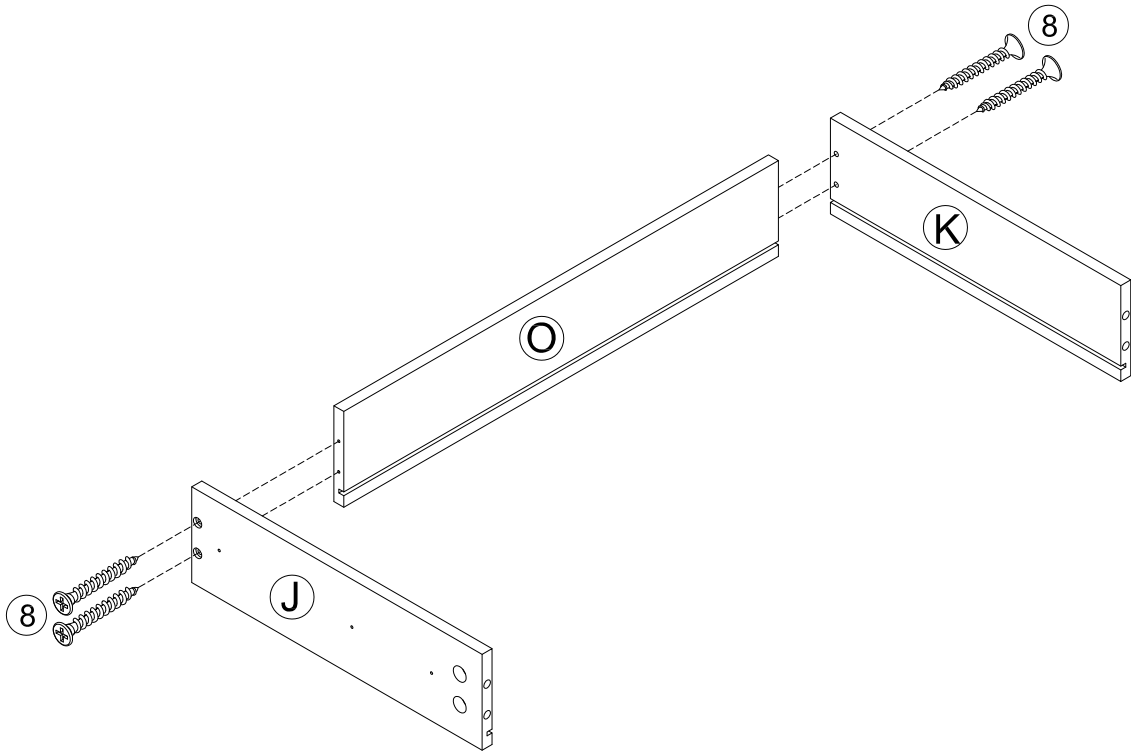


STEP 26

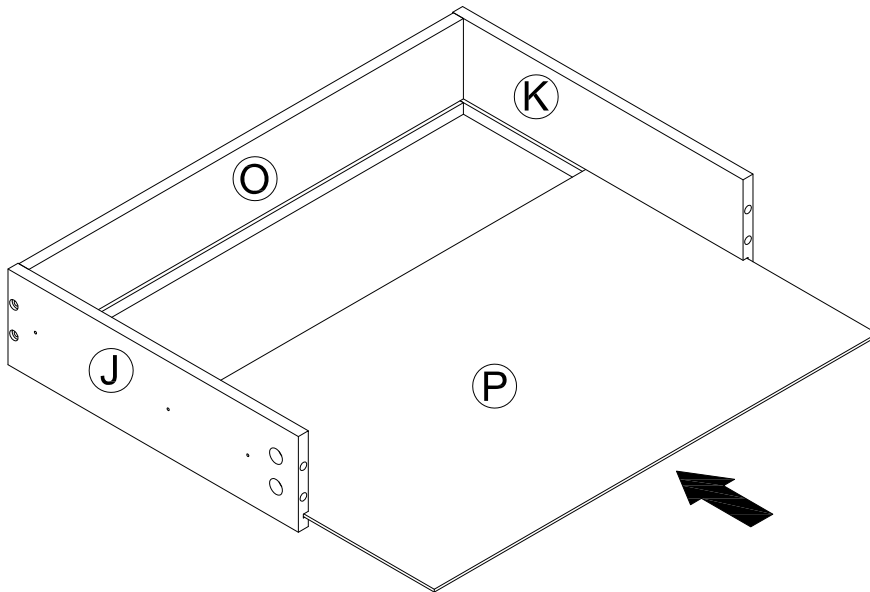


STEP 27


⑧  4pcs
Ø4x25

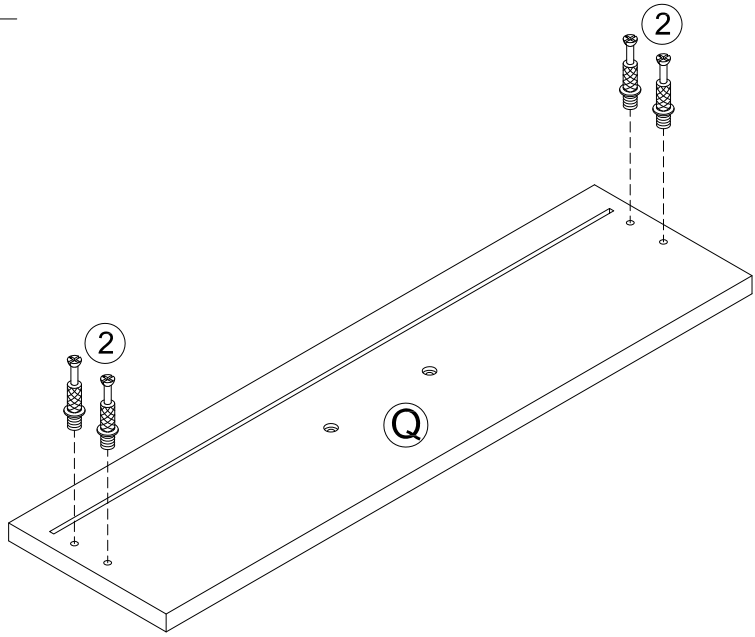


STEP 28



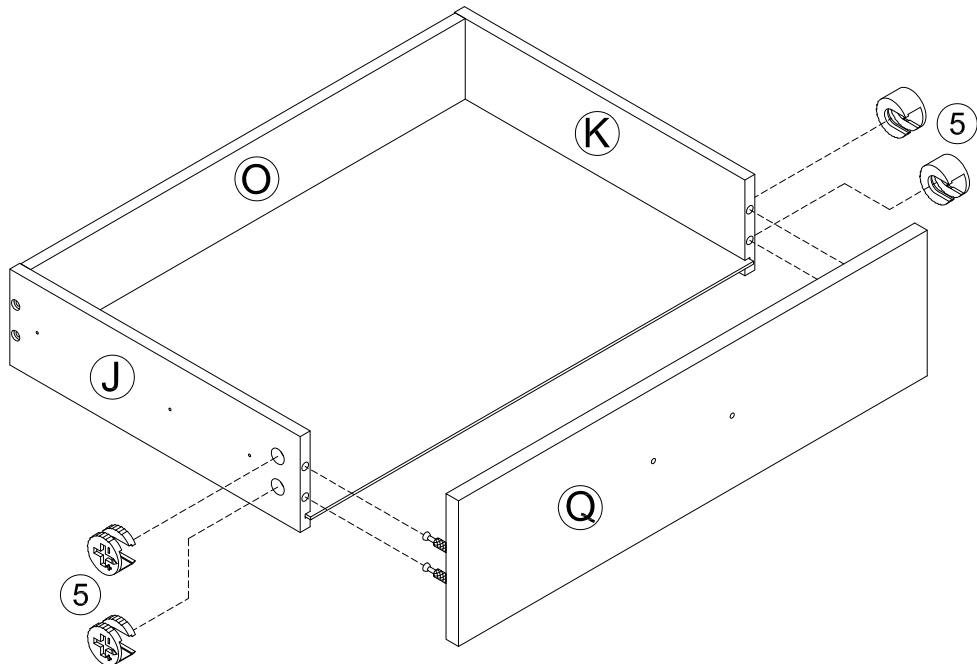
STEP 29

②  4pcs
Ø6x33mm


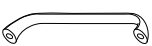


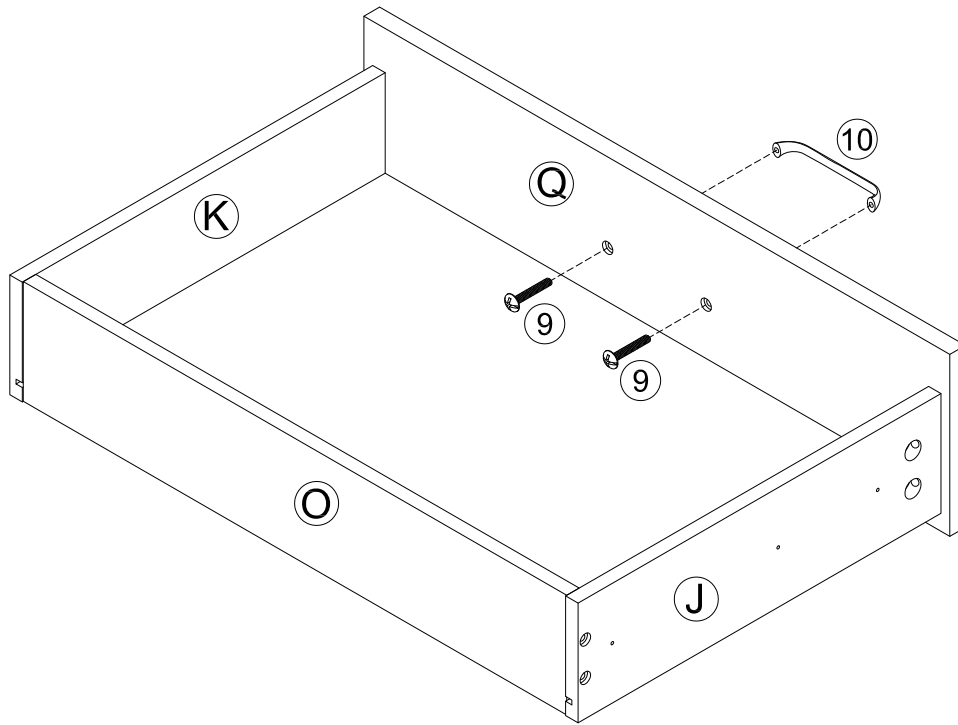
STEP 30

⑤  4pcs
Ø15x9mm

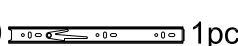
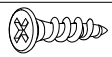


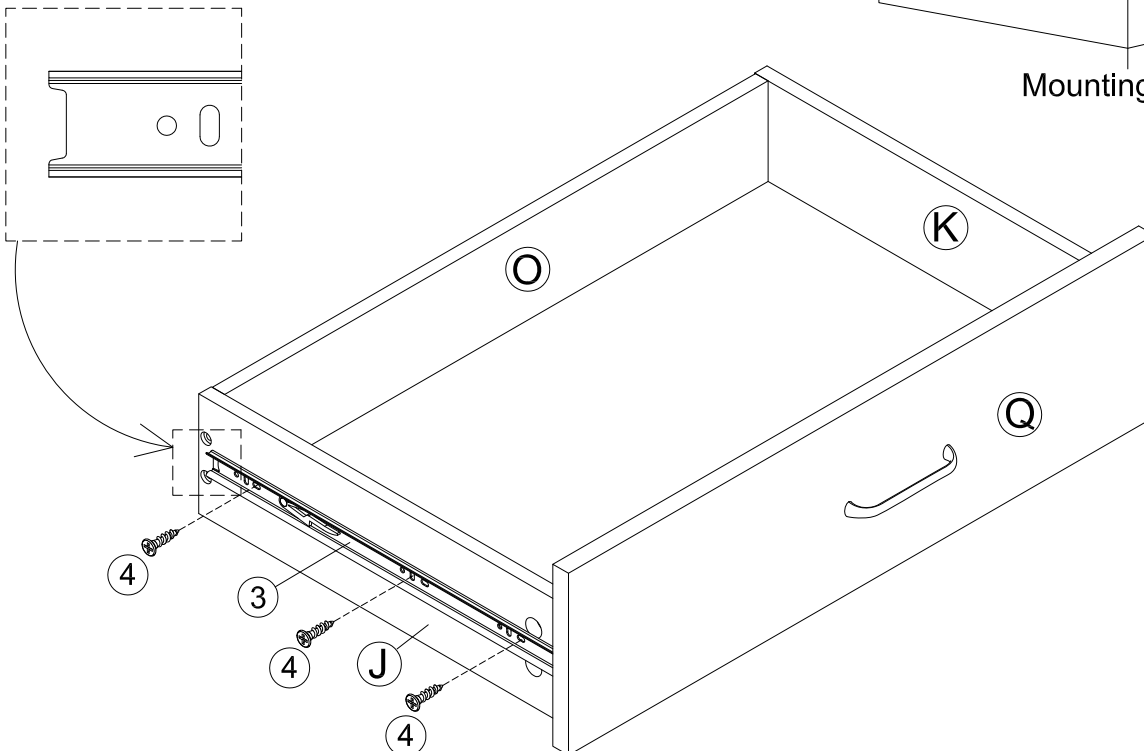
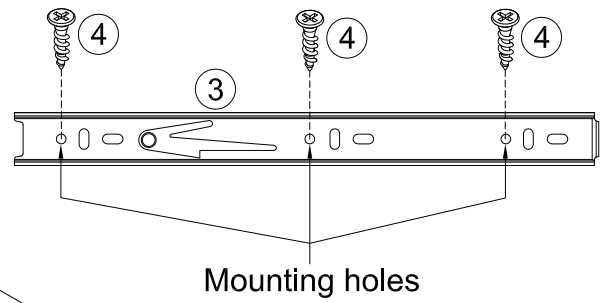
STEP 31

- ⑨  2pcs 5/32"x18mm
- ⑩  1pc



STEP 32

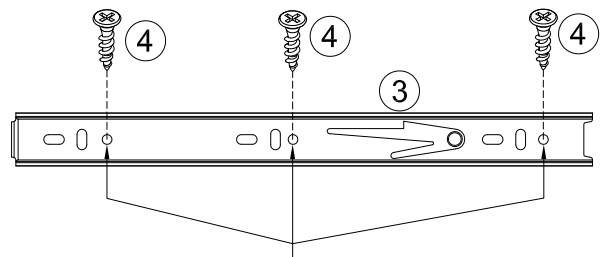
- ③  1pc
- ④  3pcs Ø3x10mm



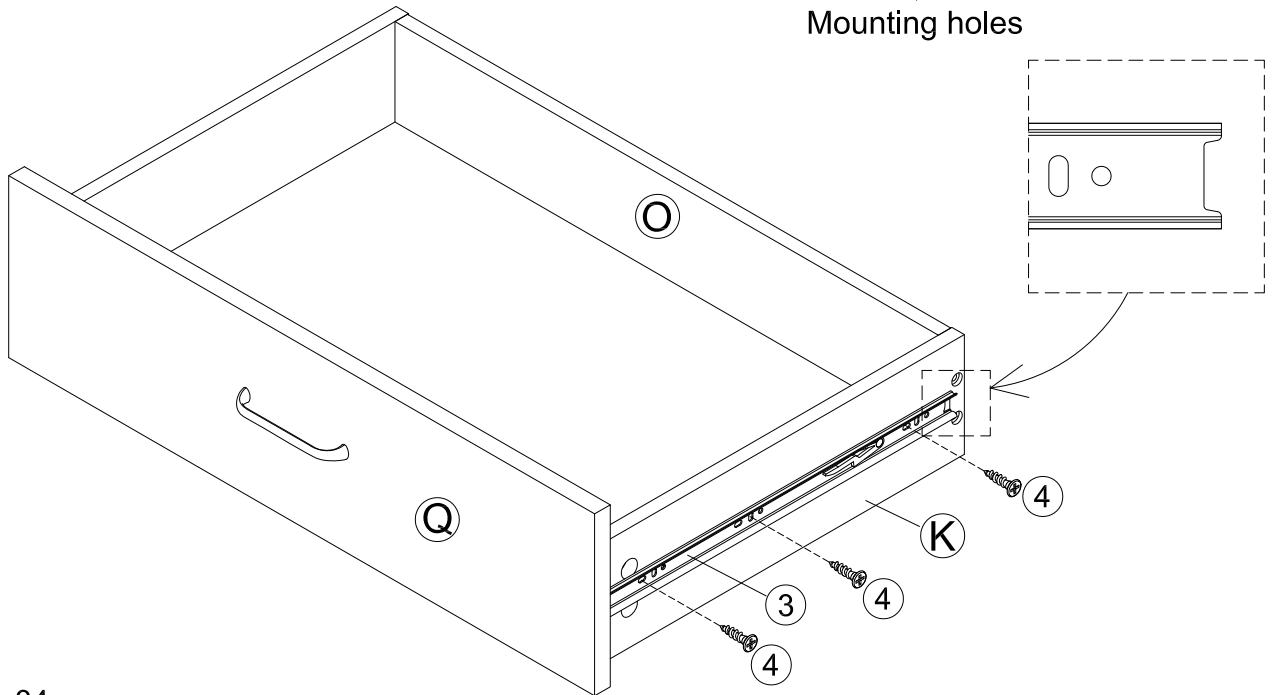
STEP 33

③ 1pc

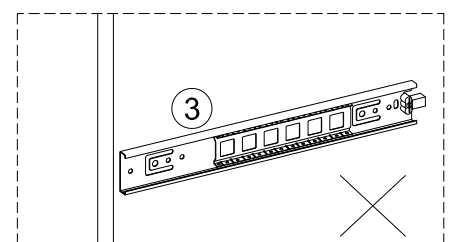
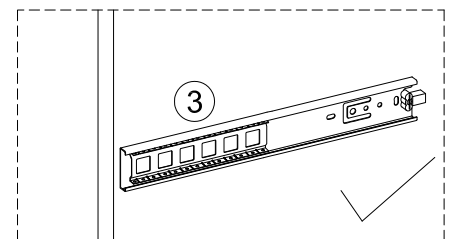
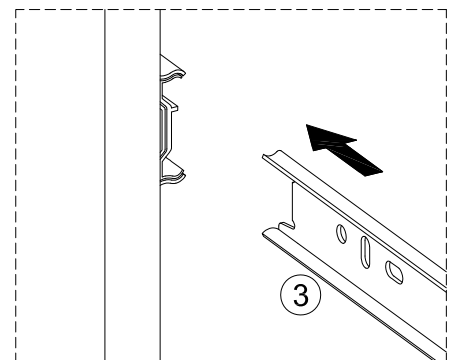
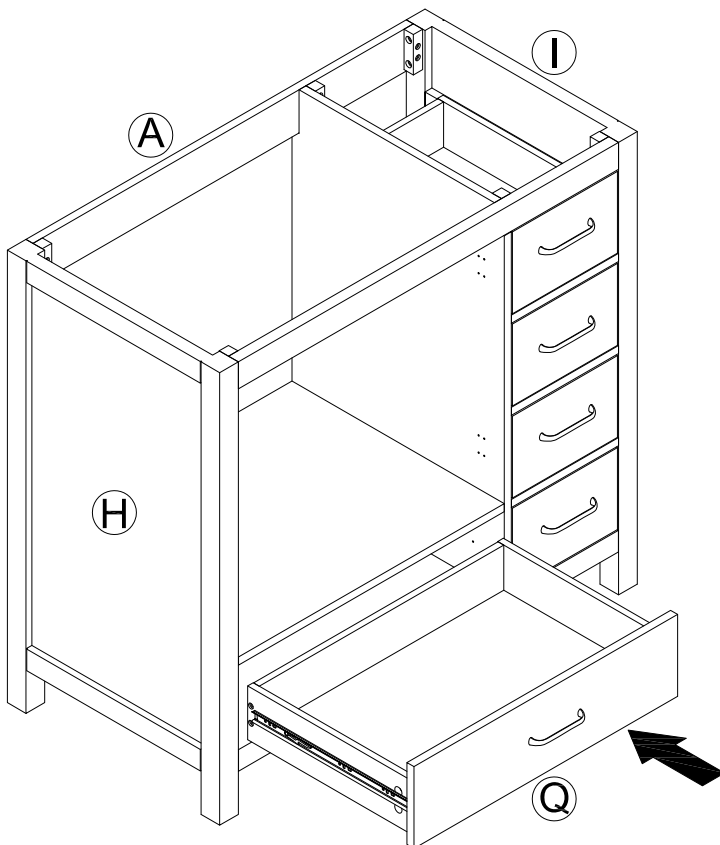
④ 3pcs
Ø3x10mm



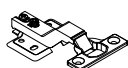
Mounting holes

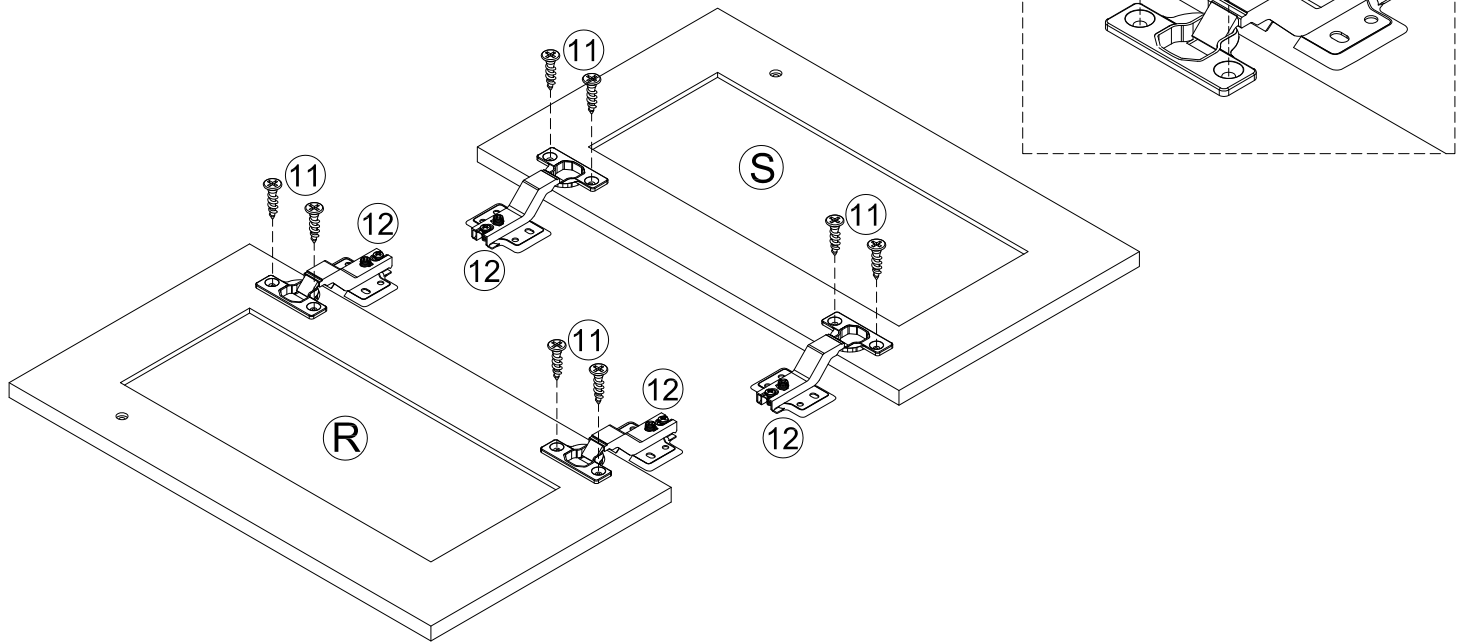


STEP 34



STEP 35

- ①①  8pcs ①②  4pcs
 Ø4x12mm

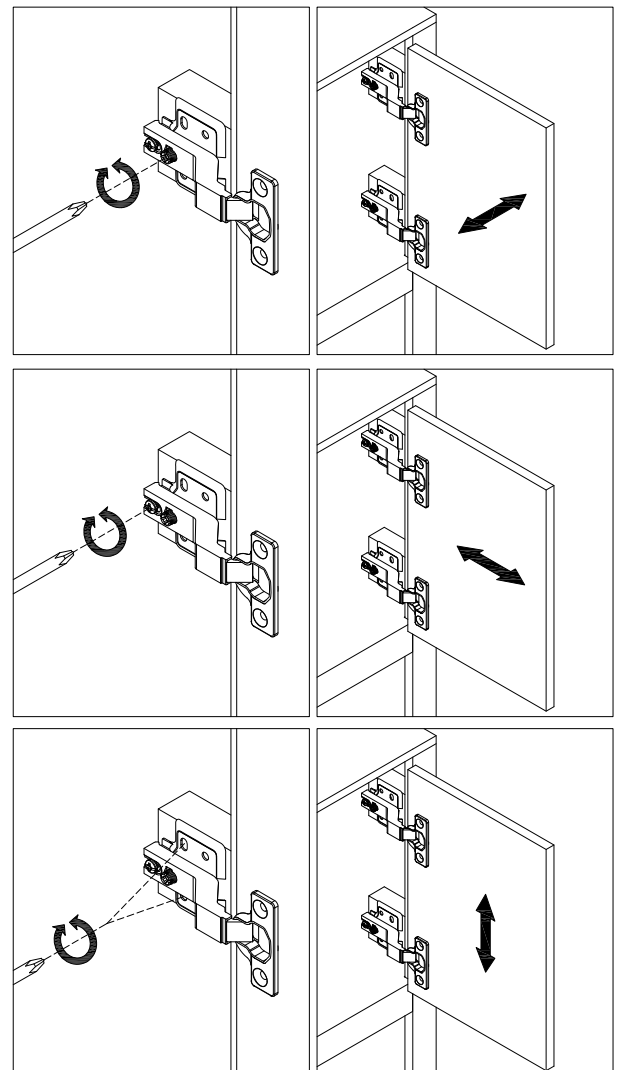
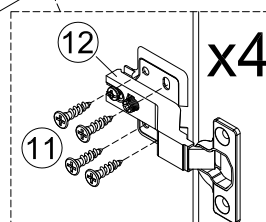
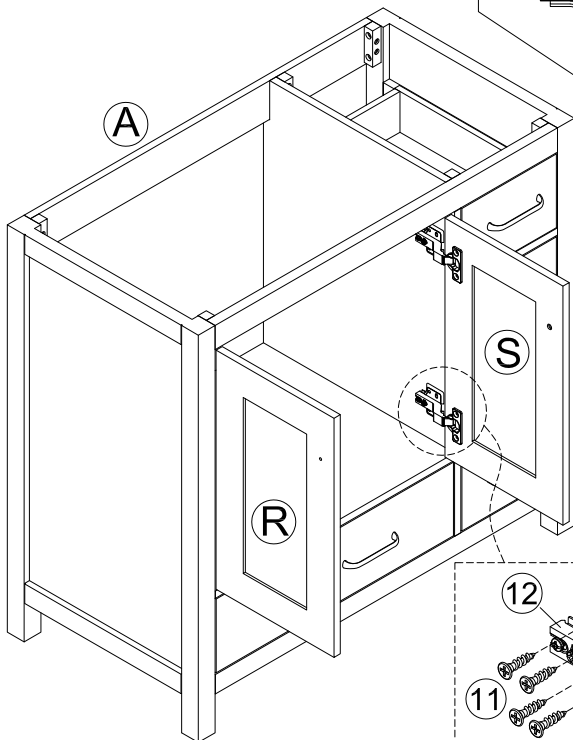
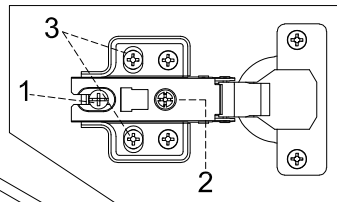


STEP 36

- ①①  16pcs
 Ø4x12mm

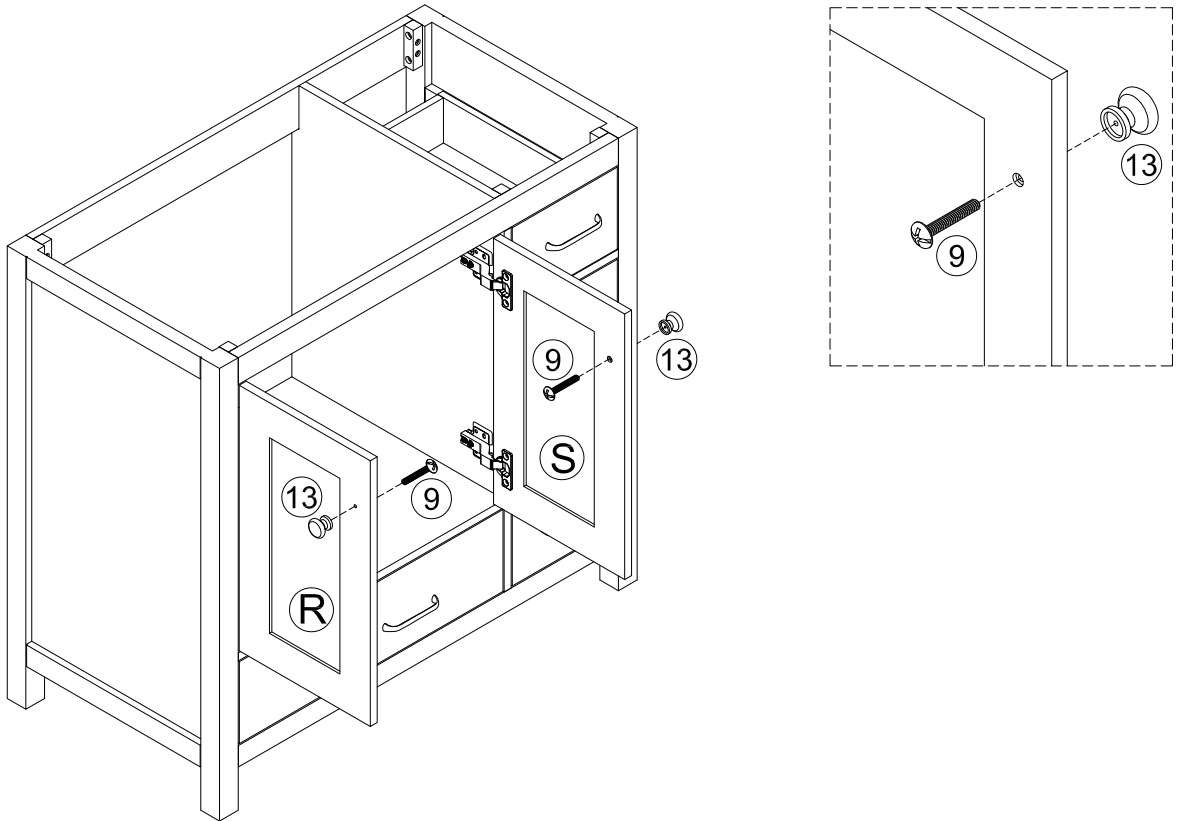
Three-way adjustable hinge for perfectly aligned doors

1. TO ADJUST DOOR FORWARD OR BACKWARD.
2. TO ADJUST DOOR TO RIGHT OR TO LEFT.
3. TO ADJUST DOOR UP OR DOWN.

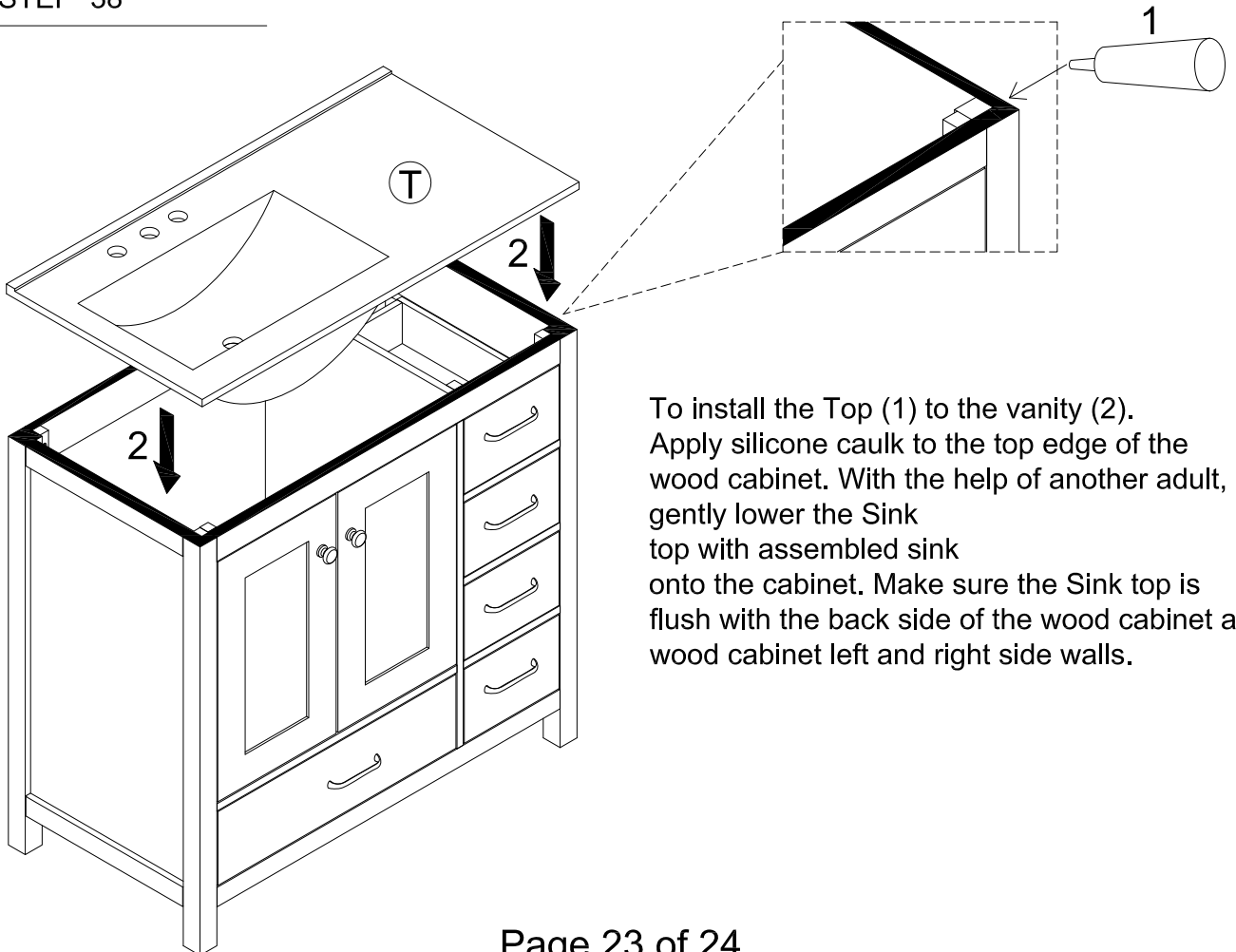


STEP 37

- ⑨ 5/32"x18mm 2pcs ⑬ 2pcs



STEP 38



To install the Top (1) to the vanity (2). Apply silicone caulk to the top edge of the wood cabinet. With the help of another adult, gently lower the Sink top with assembled sink onto the cabinet. Make sure the Sink top is flush with the back side of the wood cabinet and the wood cabinet left and right side walls.

