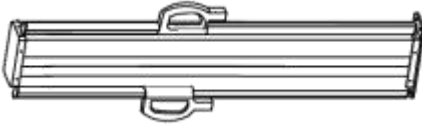


RETRACTABLE SIDE AWNING

WARNING

- When mounting the awning, keep the cassette part and stand column on the horizon, or the fabric will deformation and difficult to open and close.
- We recommend that two or more people are required to lift the awning into place.

COMPONENTS



A: (x1)

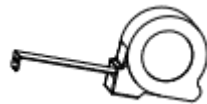


B: (x2)



C: (x12)
M8*60mm

TOOLS RECOMMENDED

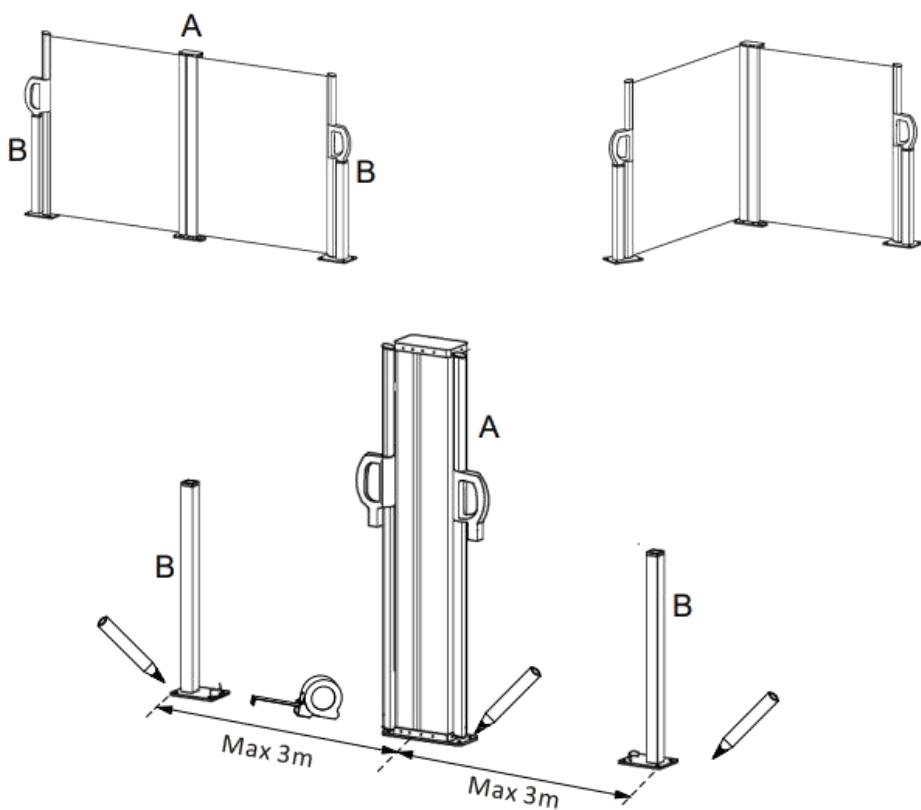


INSTALLATION

Step 1

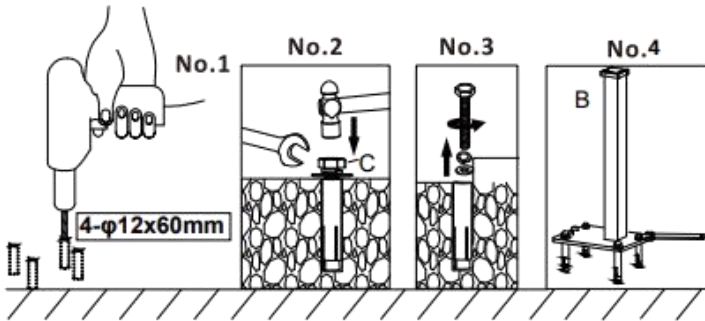
The awning can be assembled in a horizontal or angled position.

The maximum expanded size of the awning is 3m, which can mark the position of two B as shown.



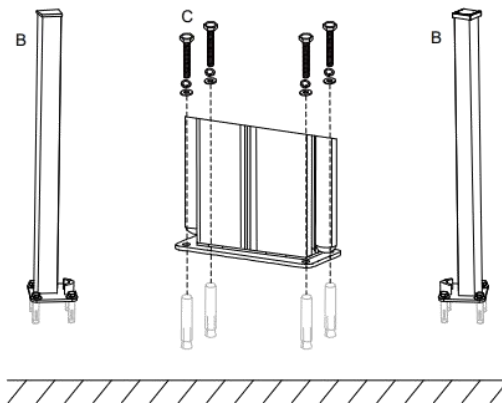
Step 2

- 1) Use a drill, drill 4 holes into the marked place, corresponding to the holes in B.
- 2) Insert C into the holes with a wrench and a hammer.
- 3) Turn out the screws and gaskets in C by counterclockwise as shown.
- 4) Attach B to C with screws and gaskets of C with a spanner as shown in the picture.



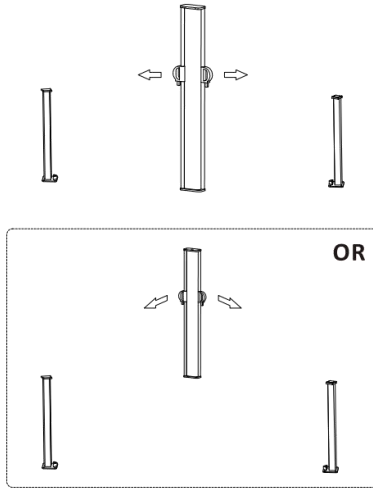
Step 3

Tighten A with C as shown.



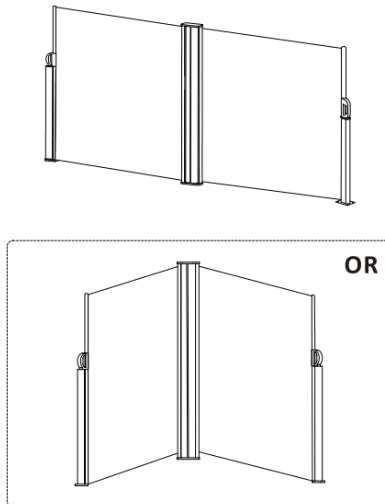
Step 4

Hold the handle of A and pull it over the B.



Step 5

Retractable side awning has been installed.



CLEANING & CARE

- Awnings should be cleaned at least once a year.
- Cleaning consist of brushing off debris with broom, brushing on a non-detergent cleaning compound (such as 1/2 vinegar, 1/2 water), letting it sit for 20 minutes and rinsing.
- Remember that your awning is an exterior product, you must clean your awning to preserve and extend its beauty and life.
- Do not use any cleaners with chemicals, solvents, or harsh abrasives.