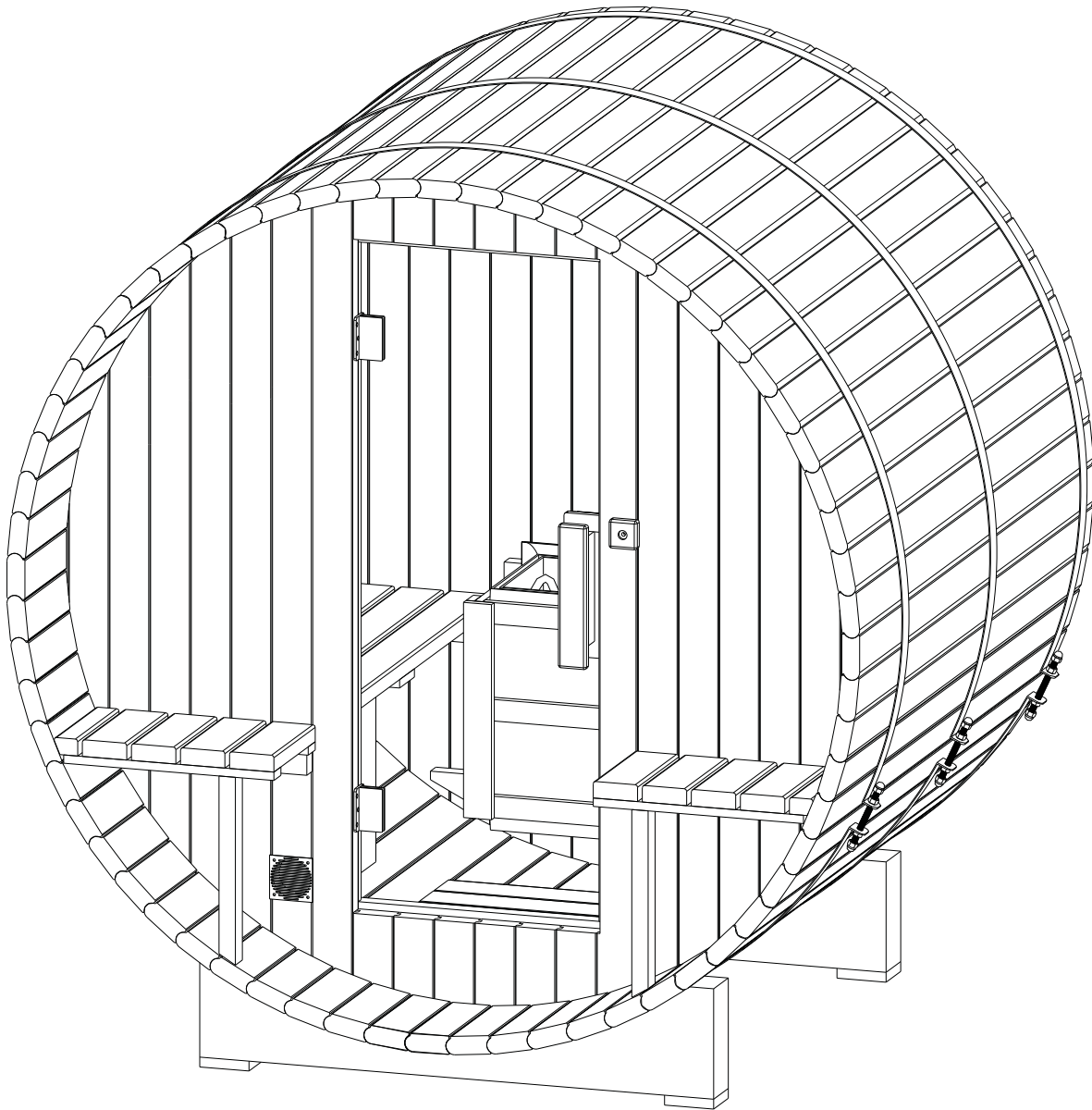


ALEKO® Outdoor Barrel Sauna

www.AlekoProducts.com





User's Manual

Introduction:

Notes before Installation

- (1) For installation, it needs at least two persons.
- (2) Location of installation: check to see if the surface or platform is horizontal. Installing on a slight slope won't affect the use and installation of the Sauna Room. If with a great slope, a pad is needed for keeping the room in a horizontal level.
- (3) All screws for Sauna Room installation must be completely inserted into the wood, for avoiding scalding. If you install the accessory that not provided by us, please try to avoid using metal material, or take relevant thermal insulation process.
- (4) Please find qualified electricians to handle the installation of the accessories involving with electricity.

1. Tools we provided

Rubber Hammer × 1	Silicon Gun × 1
	

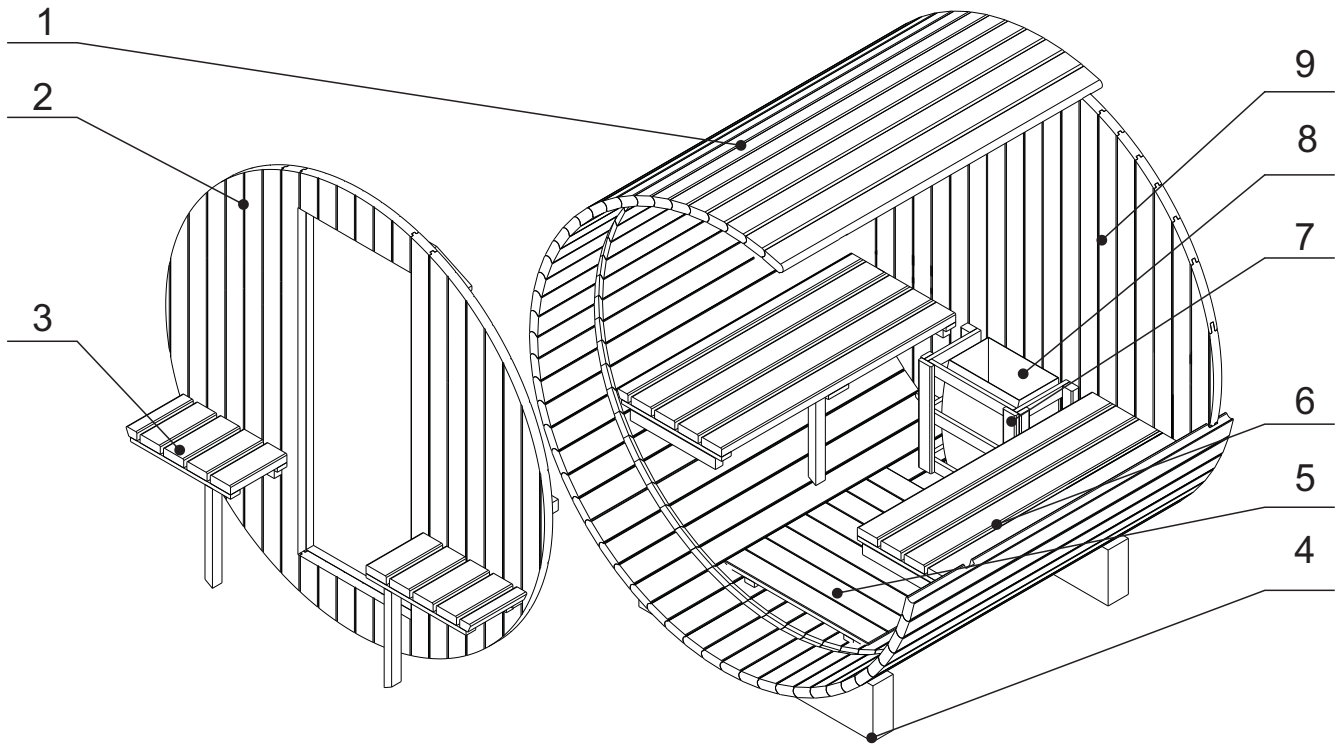
2. Tools you need to prepare

Power Drill × 1	Adjustable Wrench × 2	Band Tap × 1	Lever bar × 1	Pencil × 1
				

3. Screw and accessories list

All Parts Screw List											
NO.	Component	Screw size	Unit								
				B4	B4C	B5	B5C	B6	B6C	B8	B8C
1	Whole-tooth Screw	M12*180	Pcs	6	6	6	6	8	8	8	8
2	Countersunk Self-taped Screw	ST5*30	Pcs	16	16	16	16	16	16	16	16
		ST5*40	Pcs	6	6	6	6	6	6	6	6
		ST5*50	Pcs	108	116	108	116	108	116	108	116
		ST5*60	Pcs	24	24	24	24	24	24	24	24
3	Steel Bands		Pcs	3	3	3	3	4	4	4	4
4	Suggested Heater		Pcs	6kw/1							
5	Barrel 4L		Pcs	1	1	1	1	1	1	1	1
6	Sauna Stone		kg	20	20	20	20	20	20	20	20
7	thermometer & Hygrometer		Pcs	1	1	1	1	1	1	1	1
8	Anti-explosive Lamp Holder		Pcs	1	1	1	1	1	1	1	1
9	Silicon		Pcs	2	2	2	2	2	2	2	2

The main wooden parts



S/N	Name	QTY
1	Stave	65
2	Front End	1
3	Outside Bench	2
4	Base	2-3
5	Floor	1-2
6	Inside Bench	2
7	Heater Fence	1

S/N	Name	QTY
8	Heater(Optional)	1
9	Back End	1

Sauna Room Assembly

- 1、 Base Assembly.....4
- 2、 Front and Back Ends Assembly.....5
- 3、 Top Assembly.....6
- 4、 Benches Assembly.....7
- 5、 Bands Assembly.....8
- 6、 Heater and Lamp Holder Assembly.....9
- 7、 Other Accessories Assembly.....9
- 8、 Using & Advice.....10
- 9、 Bitumen Roof Installtion.....11

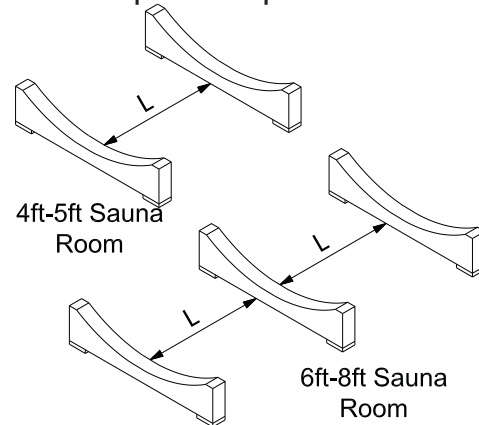
Tools:



1、 Base Assembly

(1) Base Supports Placement See the picture below (Picture 1), find corresponding length of the Sauna Room, place the base according to the picture. Make sure the bases are parallel to each other. Use the pads to keep the supports level.

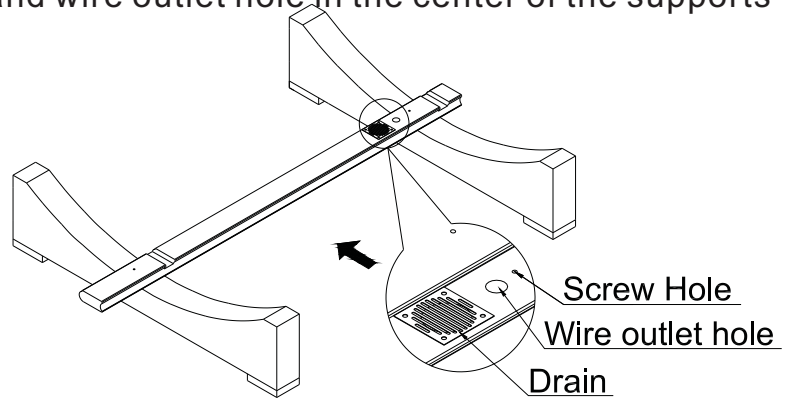
S \ N	Sauna ft	L(mm)
1	4 ft	900
2	5 ft	1200
3	6 ft	607.5
4	7 ft	757.5
5	8 ft	907.5



Picture 1

(2) Base Stave Installation

① Put the stave with drain and wire outlet hole in the center of the supports

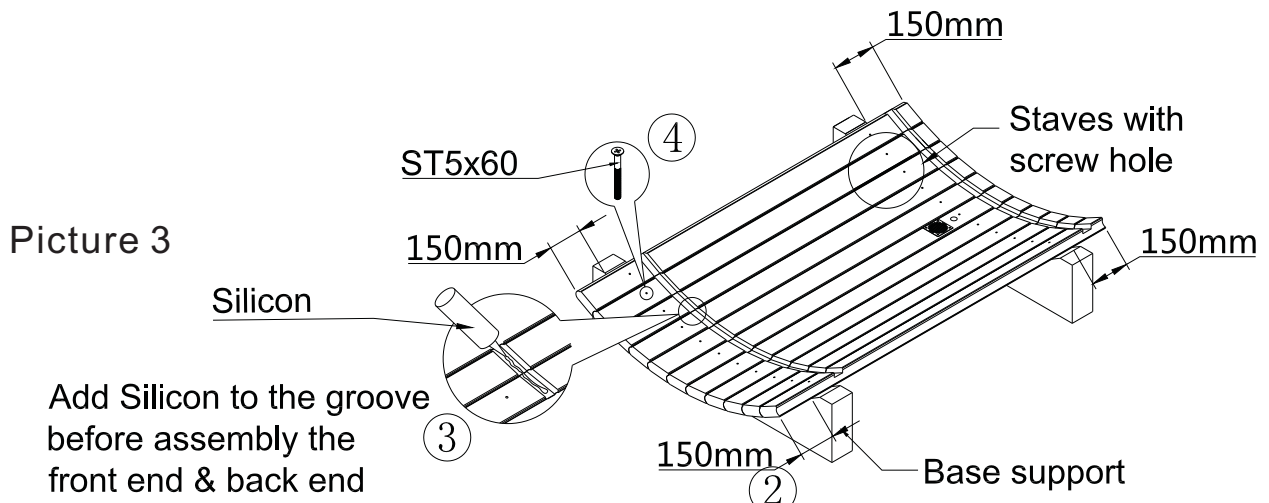


Picture 2

② Insert other staves with the screw hole until reaching the edge of the base, use rubber hammer to tap it tight. Check the distance between the two ends and the supports if it is 150mm. (see picture 3 ②)

③ Keep all the groove on one line. Add the Silicon to all groove before assembly the front end and the back end to the base in the next step. (see picture 3 ③)

④ Use screws to fasten the inserted staves onto the base. All the screws should be with countersink processing (see picture 3 ④)

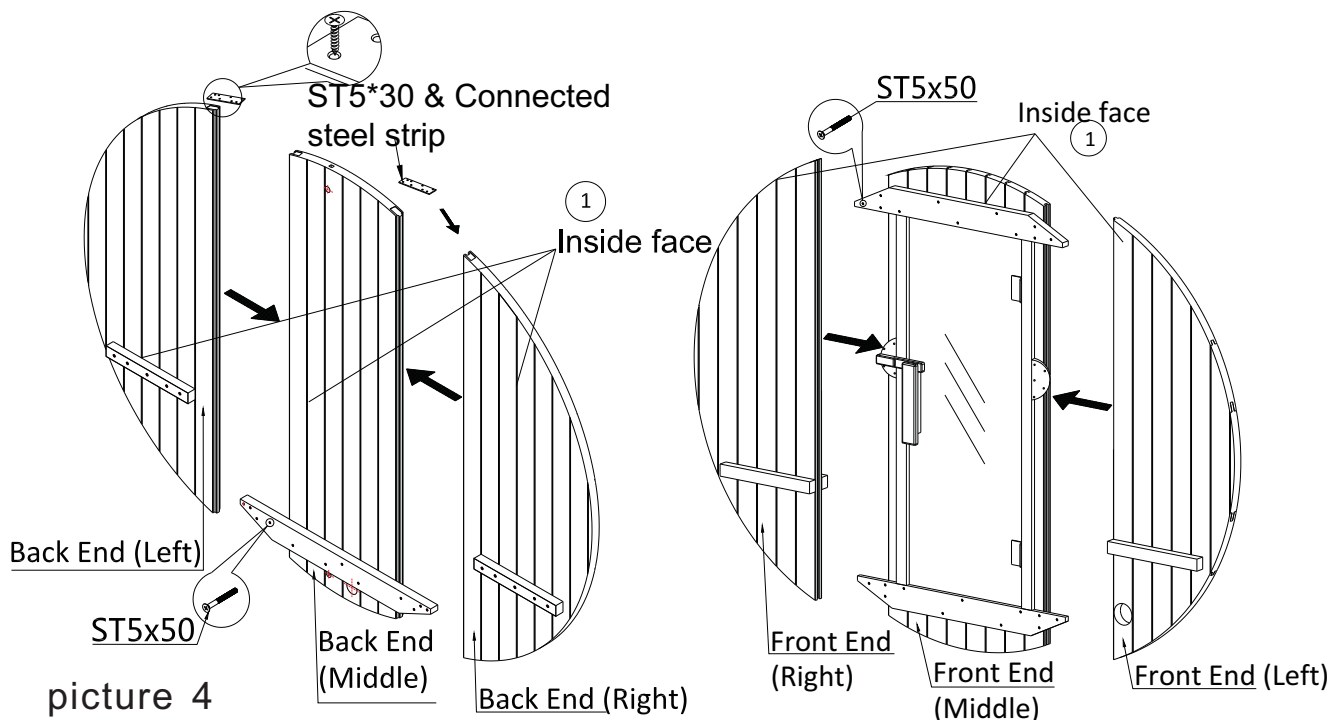


Picture 3

Add Silicon to the groove before assembly the front end & back end

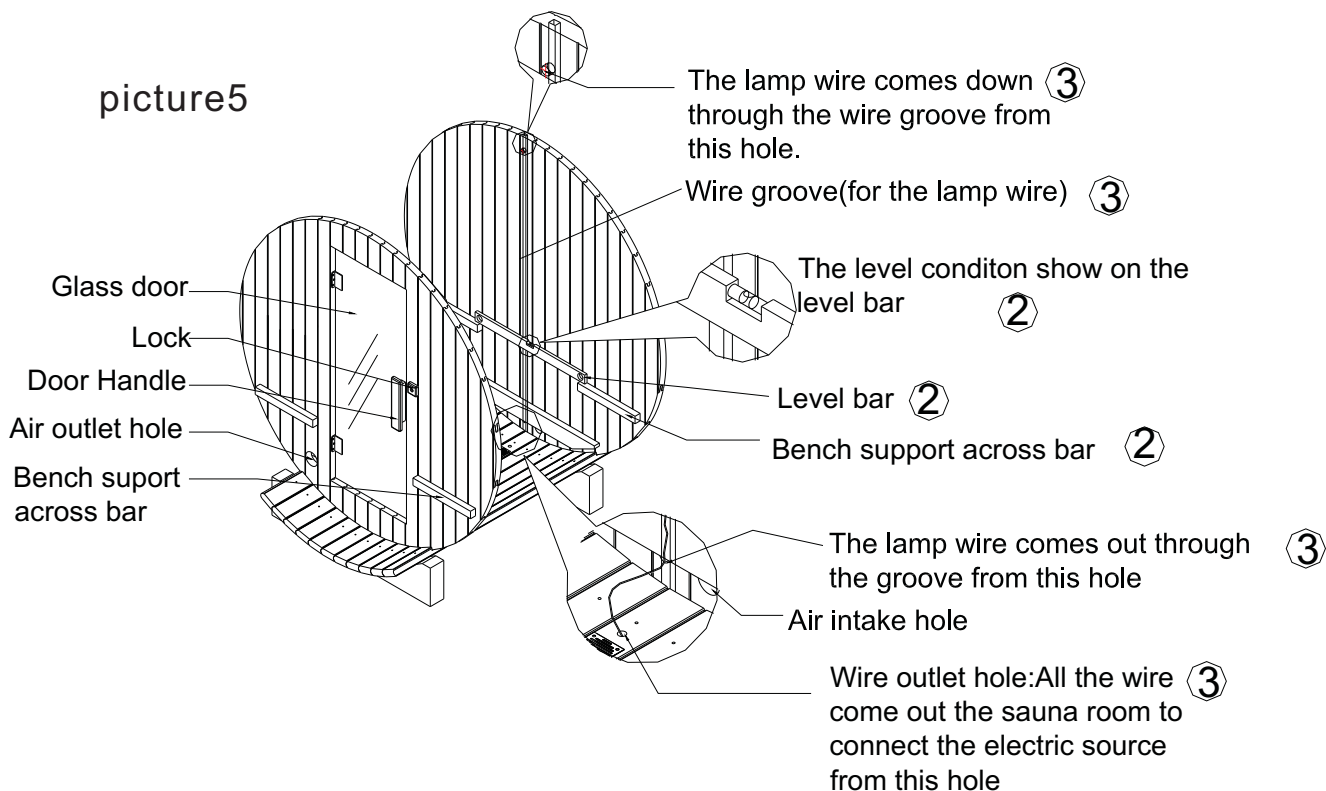
2、 Front and Back Ends Assembly

(1) Assembly the back end and the front end as shown in picture 4.



(2) Put the back end and the front end into the groove of the base, before you do this ,don't forget to add the Silicon into the groove. (see picture 5)

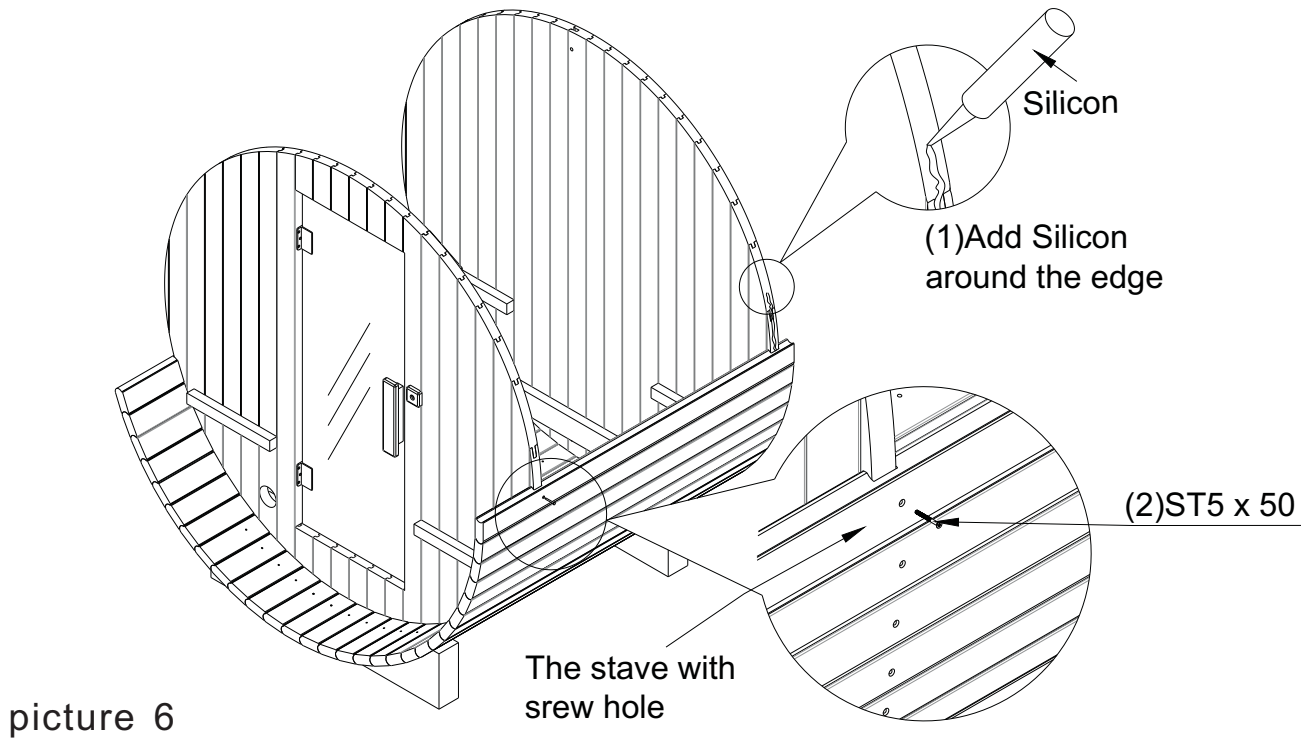
- ① Be aware of the inside face & outside face of the back & front end. (see picture 4①)
- ② Put the level bar on the across bar of the back & front end to check if the two ends are horizontal. (see picture 5②)
- ③ Be aware of the lamp wire groove of the back end and the wire outlet hole of the base, as you will assembly the lamp and the heater later (see picture 5③)



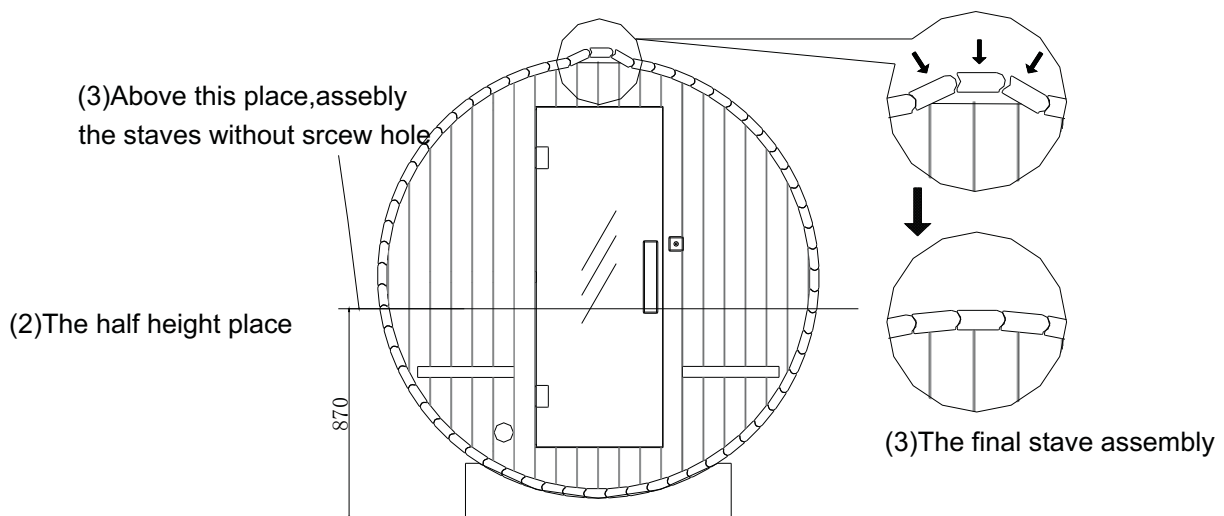
3.Top Assembly

(1) (see picture 6(1)) Add Silicon around the edge of the front & back ends, assembly the other staves before the Silicon dried.(within 12 hours)

(2) After adding the Silicon, assembly the rest staves with screw hole on the edge of the front & back ends until to the half height of the front and back ends (see picture 7(2)) . Use rubber hammer to tap the staves tightly close together, fasten every stave with nails onto the front and back ends.(see picture 6(2)) .



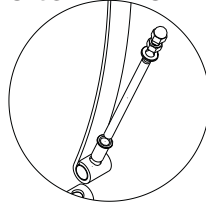
(3) Then assembly the remain staves without screw hole until to the top. To assembly the final stave on the top, please see (picture 7(3)).



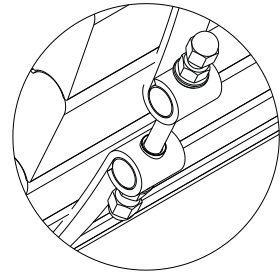
picture 7

4、 Bands Assembly

- (1) Each segment of steel band comprises of a long and a short belts.
- (2) Use the fat bolts and nuts to connect one of the end of the long belt and the short belt together.
- (3) Then assembly the connected bands on sauna room according the distance show in the tabulation on page 8. Use pencil and measuring tape to make marks of the distance on the sauna room



picture 8



M12x180

- ① After place the connected bands on the sauna room, connect the others end of the short belt and the long belt . Tighten them up, but not too tight, with space left for adjustment later.
- ② Check if it is parallel between each band.If not, aline them to be parallel by hands.
- ③ After finishing ② , then tighten the bands tight, tighten the central bands first, then the bands on the each end of the sauna room.
- ④ For the position of the bolts, we normally suggest at 4 O'clock and 8 O'clock position. So that it won't be an impediment when you assembly the bitumen roof(Optional).

5、 Benches Assembly

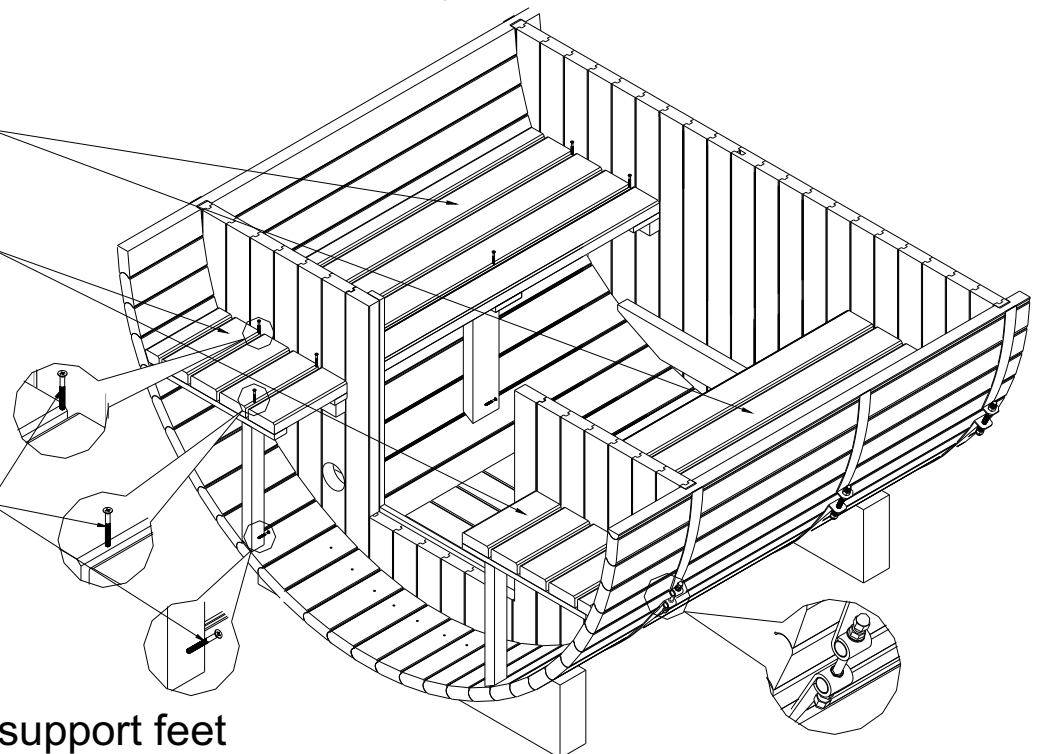
- (1) Place and fasten the bench panels on the bench support across bars according picture 9
- (2) Assembly the bench support feet according picture 9

Inside bench panels

Outside bench panels

ST5x50

Bench support feet



When you palce the bolt on 4 O'clock position, the otehrs bollt will be palced automatically on the 8 O'clock as well

picture 9

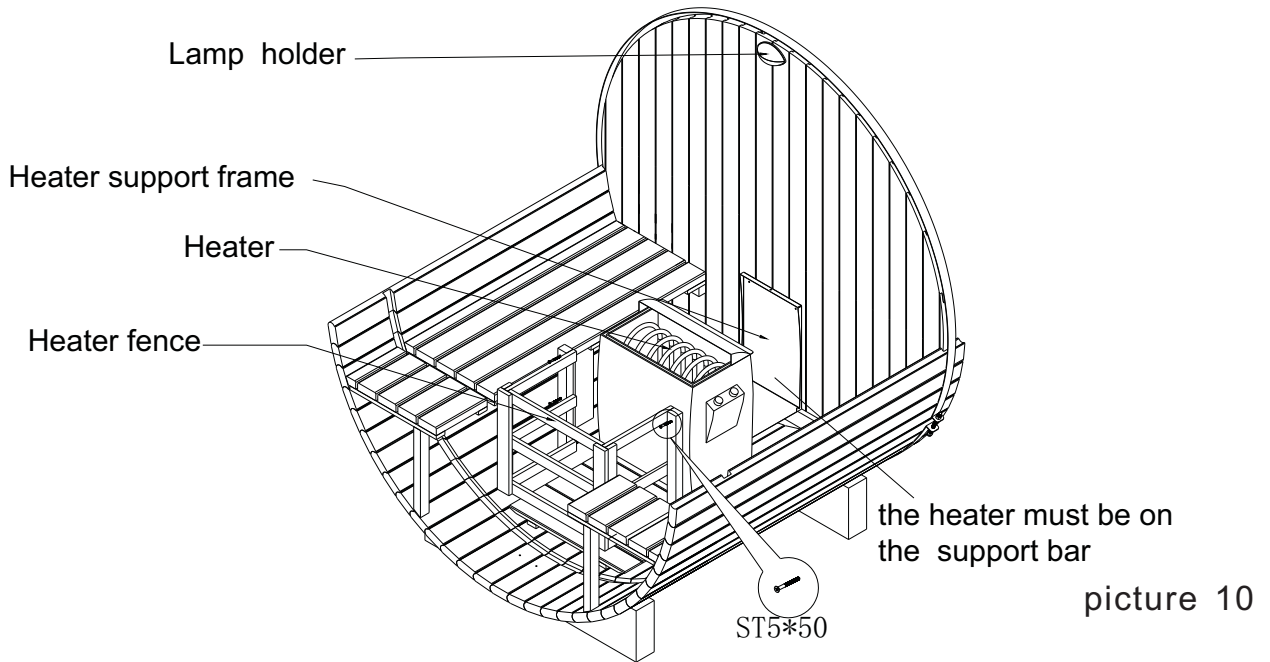
Distance of the bands (mm)

		with canopy	without canopy
B4/B4C			
B5/B5C			
B6/B6C			
B8/B8C			

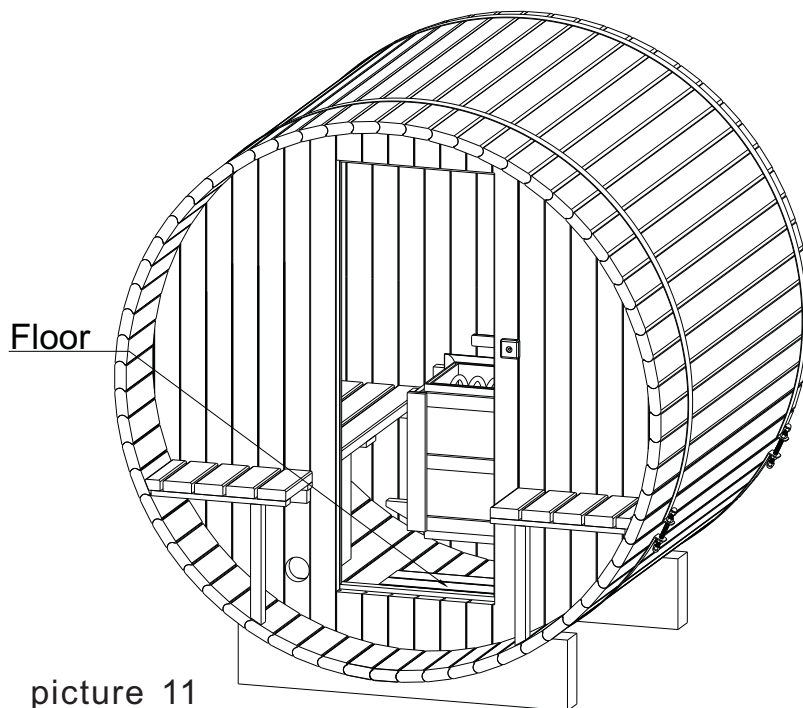
6、 Heater and Lamp Holder Assembly

(1) Install the heater against the back end between the benches at both sides, and it should be on the support bar at the bottom of the back end. (As picture 10)

(2) Only qualified electricians are permitted for installing the electric wire of the heater and the lamp holder. Choose the wire and bulb in compliance with local electricity standard.



7、 Other Accessory: floor (As picture 11)



Using & Advice

Using:

STEP #1 - Set your heater so that the sauna room achieves the desired temperature, usually between 150° F and 170° F. As advice, you should begin at the lower end of this range and work your way up to the higher temperatures over several sauna baths.

STEP #2 - Remove all clothing (except maybe your swimsuit), eyeglasses, contact lenses, jewelry, etc. Take a quick shower with warm water and soap, or a quick dip in your hot tub.

STEP #3 - Enter the sauna initially for about 5 to 15 minutes. Bring a towel into the sauna onto which you can sit or lay. Leave the sauna room once you have begun to perspire freely.

STEP #4 - Now you may take a cold plunge in your swimming pool, shower or snow bank. After that, relax and cool down for another 10 to 20 minutes.

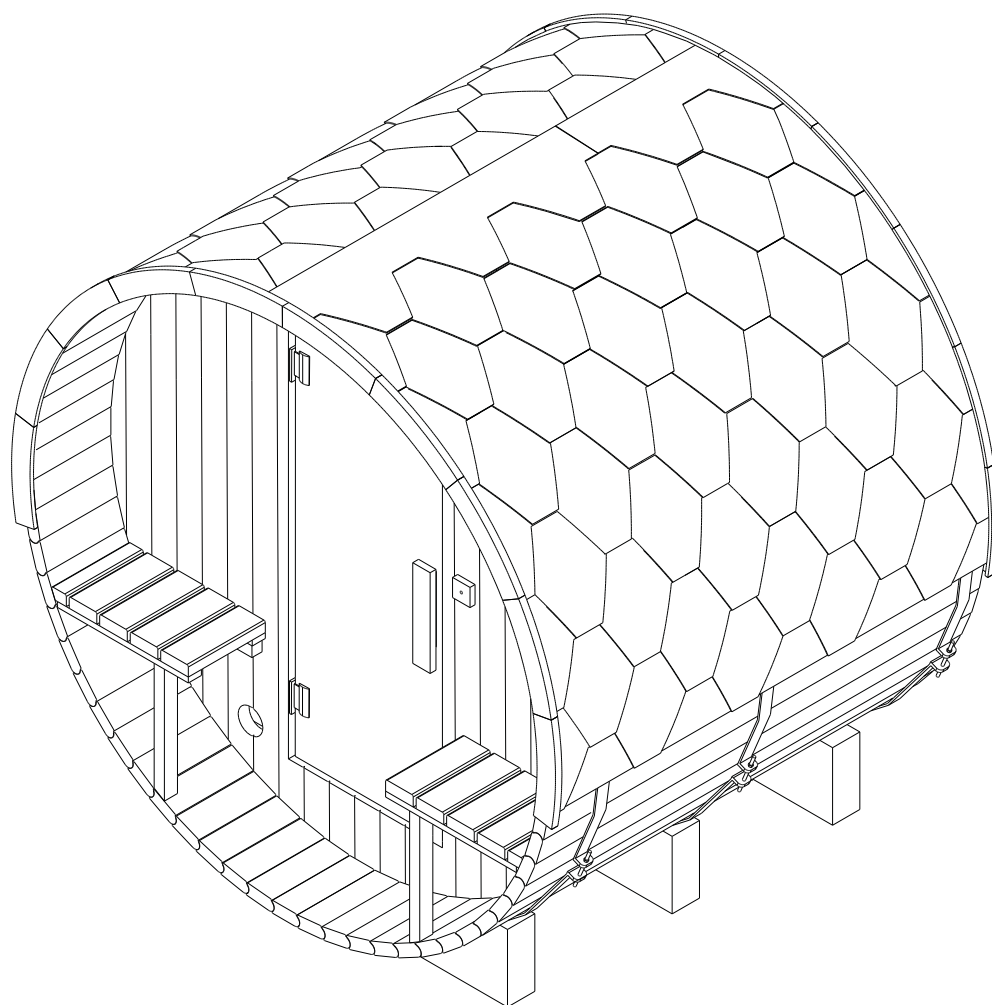
STEP #5 - Re-enter the sauna. On this return visit you may wish to sprinkle small amounts of water onto the rocks creating bursts of steam. If the water spills through the heater and onto the floor, you are using too much, although this will not hurt the heater or the sauna.

STEP #6 - After your final visit to the sauna, relax for at least 20 minutes. Shower with soap and warm water. Finish your shower with cooler water to close the pores of your skin. Dress only after you have cooled down completely.

Advice:





- (1) Do the oil treatment for the wood that expose outside the sauna room once a year, in order to keep the appearance looks graet.
- (2) Put carpet in front of the door, to keep the floor clean.
- (3) For the cleaning inside the sauna room, use the abrasive paper to shift the strong stain on the wood.
- (4) All nature wood products might outflow rosin under hot and humid environment. Using knife to scrape the rosin, then use thinner to clean. Open the door and let the smell come loose before you use the sauna.

Bitumen Roof(Optional) Assembly Instruction



1、 Before Assembly

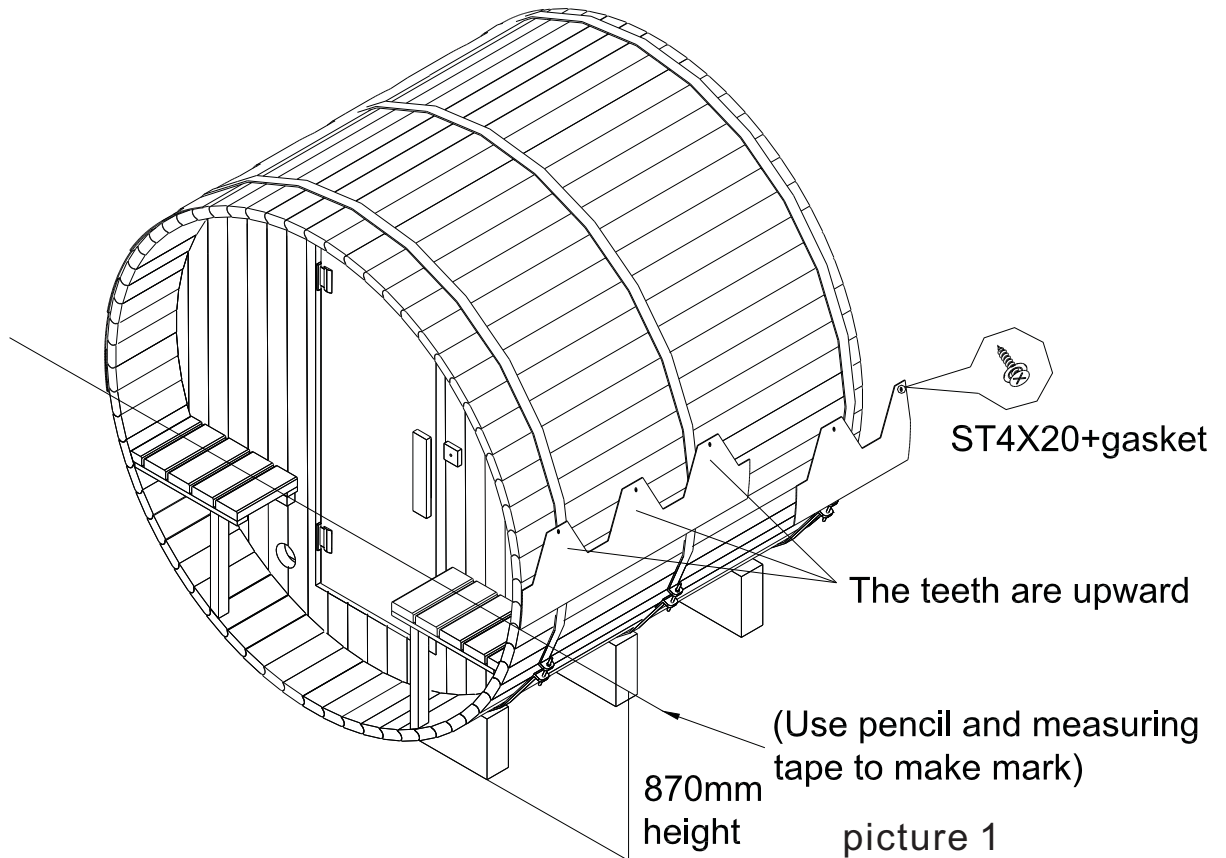
Make sure the top of the sauna room is dry before assembly the roof, use waterproof cloth to cover the sauna room when it's raining during assembly. Tools you need to prepare

Power Drill × 1	Pencil×1	Measuring tape × 1	Glue gun× 1
			

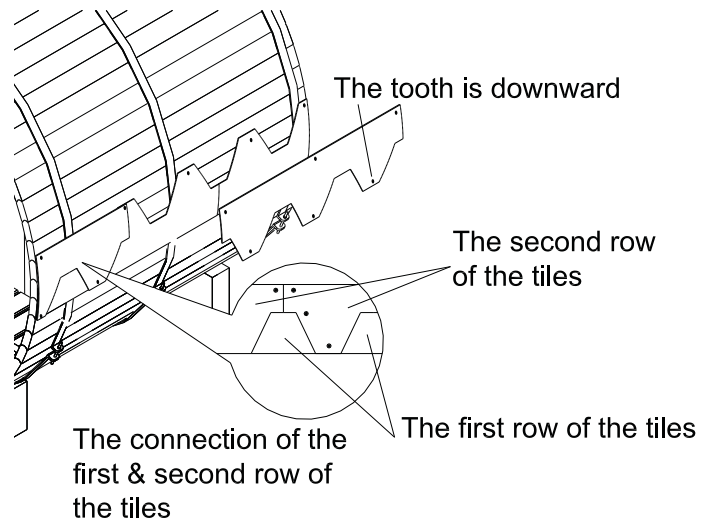
All Parts Quantity												
NO.	Component	size		Unit								
					B4	B4C	B5	B5C	B6	B6C	B8	B8C
1	Gasket			Set	130	130	150	150	170	170	200	200
2	Countersunk Self-taped Screws	ST4*20		Pcs	130	130	150	150	170	170	200	200
		ST4*30		Pcs	40	40	40	40	40	40	40	40
3	Bitumen Tiles	Width:	330m	Length:								
				Pcs	24	24	24	24	54	54	54	54
4	Bitumen Tiles	Width:	330m	Length:	500mm	500mm	800mm	800mm	100mm	100mm	400mm	400mm
				Pcs	24	24	24	24	24	24	24	24
5	Wooden Edge Patch	320X78X22mm		Pcs								

2、 Assembly

- (1) Rip off the Plastic film on the back of the tiles .
- (2) As picture 1, assembly the tiles on the left or right side of the sauna room from the 870mm height place. Place The first row of the tiles with the teeth are upward. Then Use screws and gaskets to fasten them on the staves.

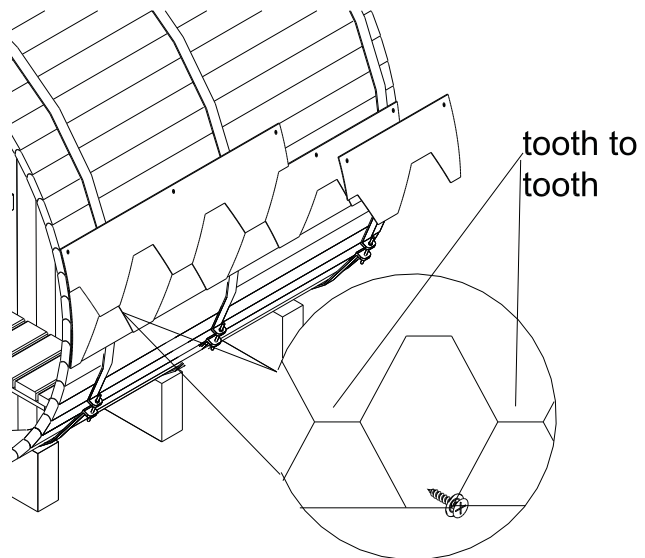


- (3) Assembly the second row of tiles with the teeth are downward as show in picture 2



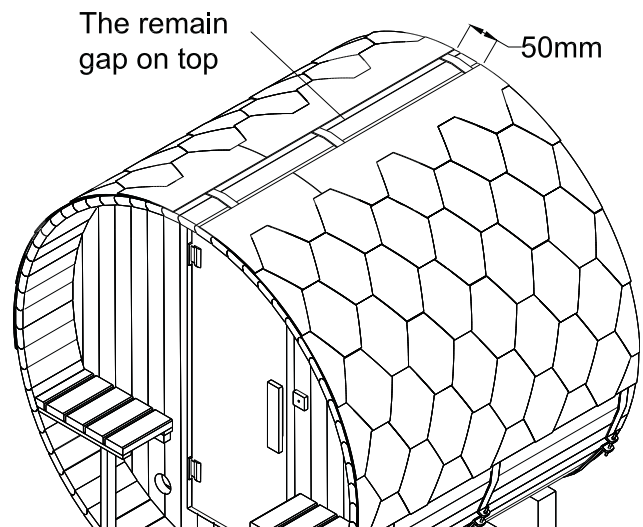
picture 2

- (4) Assembly the remain tiles to the top with “tooth to tooth” shown in picture3 .



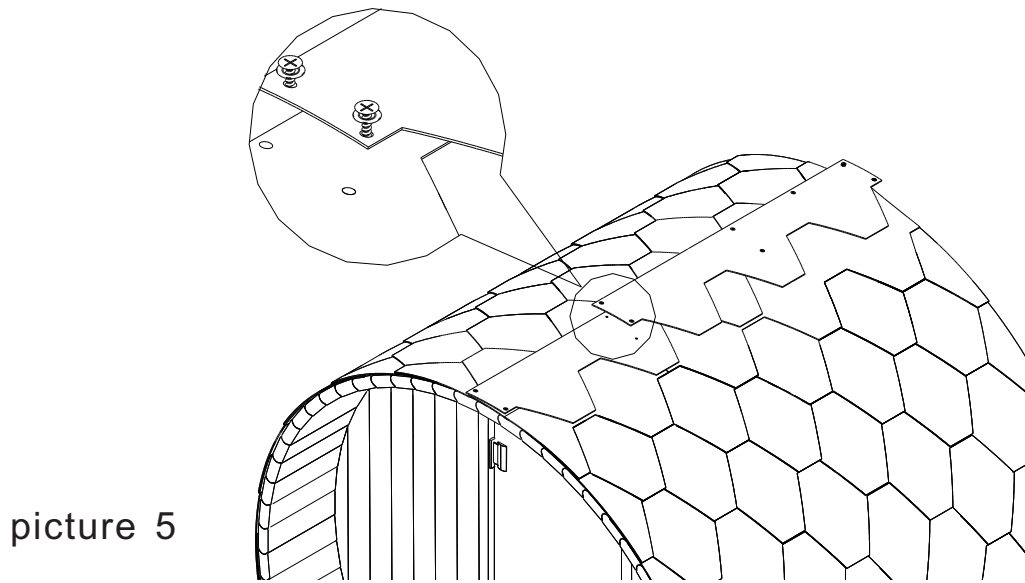
picture 3

- (5) Assembly the tiles on the others side of the sauna room accordng the steps mentioned above , untl the width of the remain gap on the top is less than 50mm.



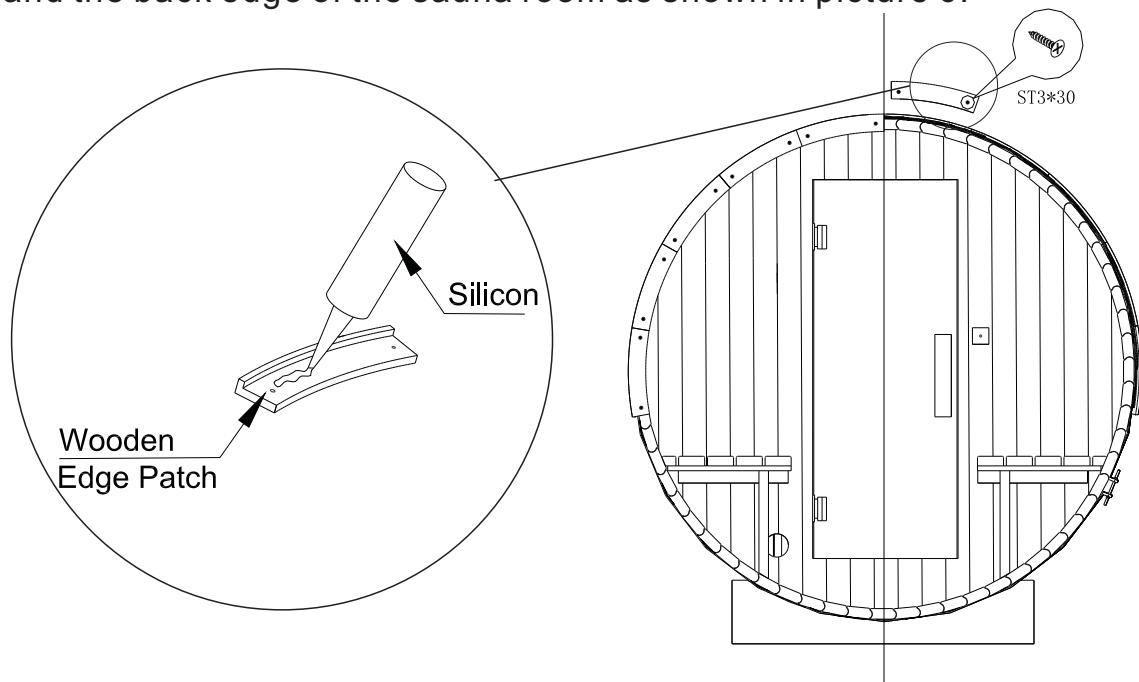
picture 4

(4) Assembly a row of tiles to cover gap as shown in picture5



picture 5

(5) Assembly the edge patches from the top center to each side on the front edge and the back edge of the sauna room as shown in picture 6.



picture 6