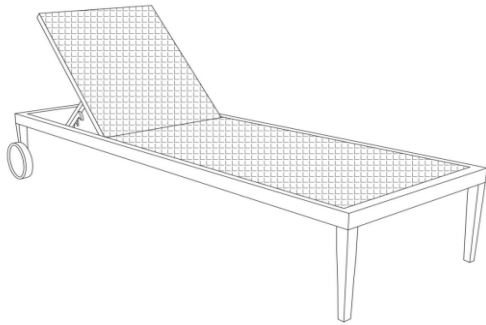
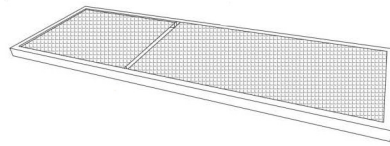


ASSEMBLY INSTRUCTIONS

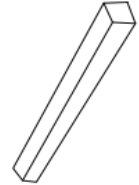


+ Parts Included

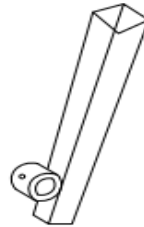
① lounge Body
(1pcs)



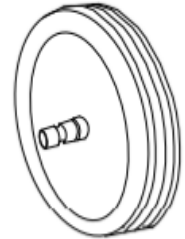
② Front leg
(2pcs)



③ Rear leg
(2pcs)



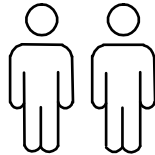
④ wheel
(2pcs)



+ Do Not Use
Power Tools



+ Suggested
Adults



NOTE:

- 1 Read instructions cover to cover.
- 2 Save all packaging until assembly is completed.

1 IMPORTANT SAFETY INFORMATION

Do not assemble the product if any of the following parts arrived damaged :

Part # ① - lounge Body Part # ② - Front leg

Part # ③ - Rear leg Part # ④ - wheel

Do not assemble the product if any of the following Hardware parts are missing :

Part # A - Allen Key Part # E - Screw cover

Part # B - Washer Part # F - Bolt 25mm

Part # C - Screw 15mm Part # G - Bolt 30mm

Part # D - Socket Part # H - Feet cover

2 IMPORTANT ASSEMBLY INFORMATION

Assembly Step if loosening persists, please make sure to tighten all the bolts periodically, or use a thread locker adhesive.

+ Hardware Included

A Allen Key
(1pcs)



B Washer
(8pcs)



C Screw 15mm
(2pcs)



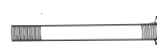
D Socket
(1pcs)



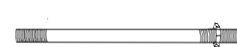
E Nut
(4pcs)



F Bolt 25mm
(2pcs)



G Bolt 30mm
(2pcs)



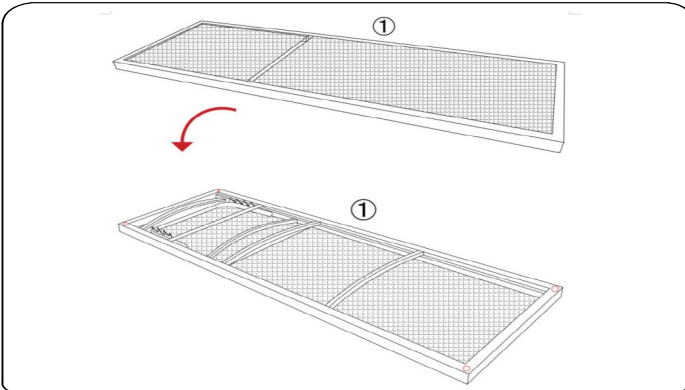
H Feet cover
(4pcs)



ASSEMBLY INSTRUCTIONS

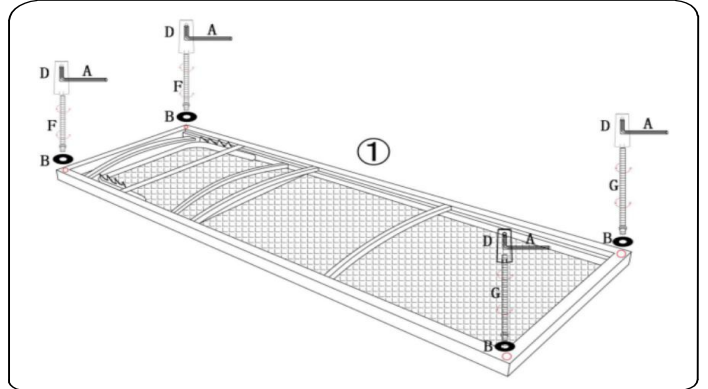
STEP 1

Please put Lounge body on a carpeted or padded surface. Turn over the Lounge body like the below image.



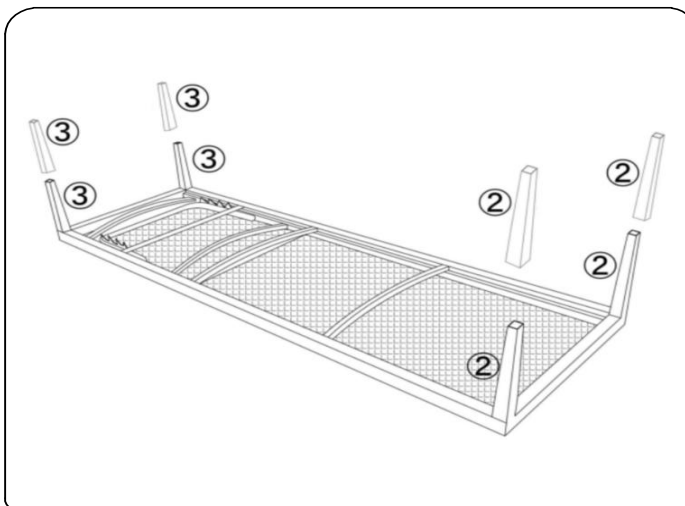
STEP 2

Insert 4 pieces of bolts into the pre-drilled hole on back of frame. Then tighten bolts.



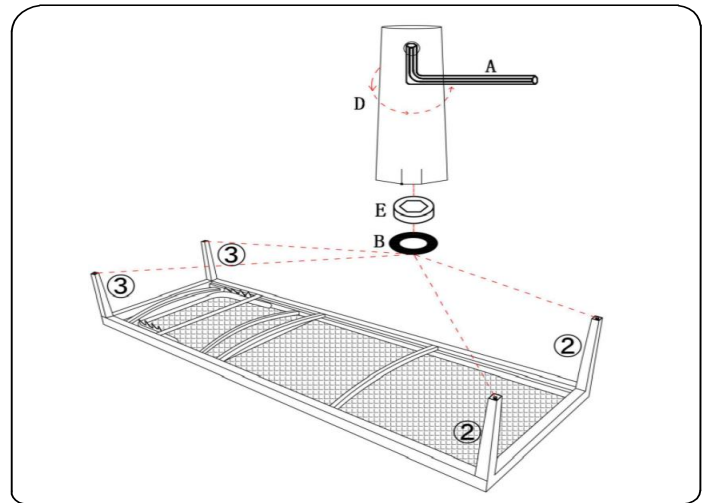
STEP 3

Insert 2 pieces of Legs(3) on Bolts (F) and 2 pieces of Legs(2) on Bolts(G) through the pre-drilled holes on Legs(3) and legs(2).



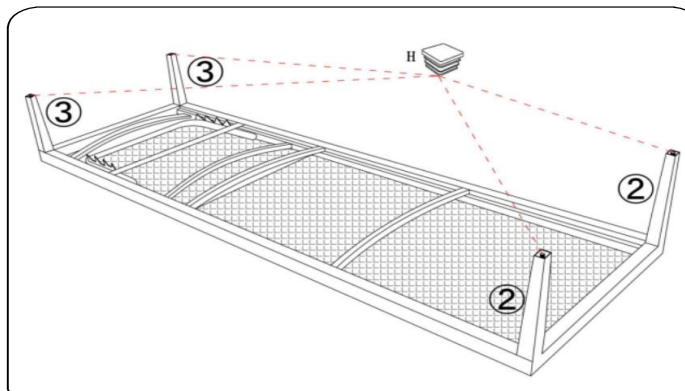
STEP 4

Insert 4 pieces of Nuts (E) with 4 pieces of Flat Washers (B) into the pre-drilled holes on Legs(3) and Legs(2) to the end of assembled Bolts(F) and Bolts(G). Use Socket(D) and Allen key(A) to tighten Nuts (E) clockwise until secure. Then tightening.



STEP 5

Insert 4 pieces of Feet cover(H) into the end of pre-drilled holes on Legs (3) as shown.



STEP 6

Assemble the wheels with the screws then tightening.

