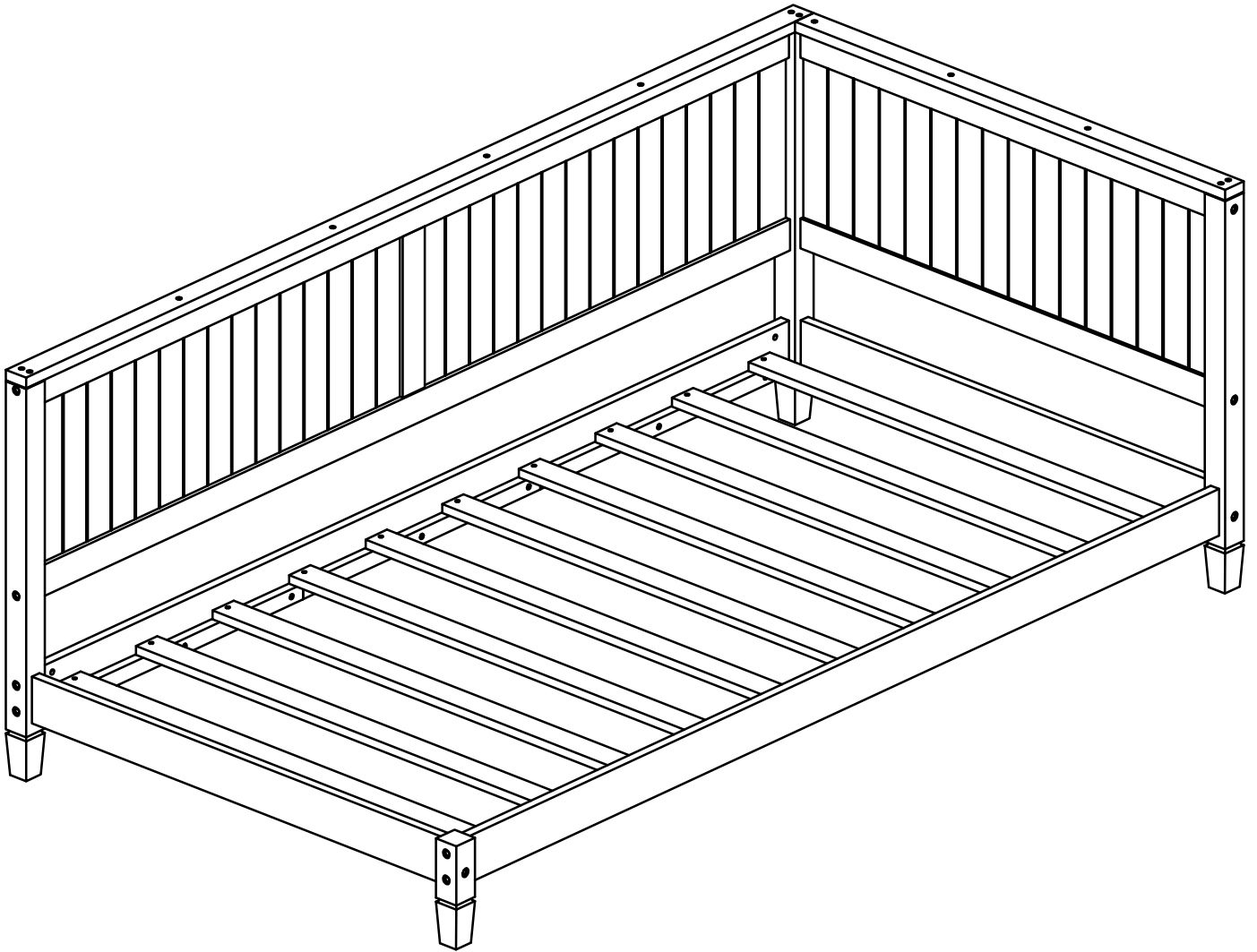
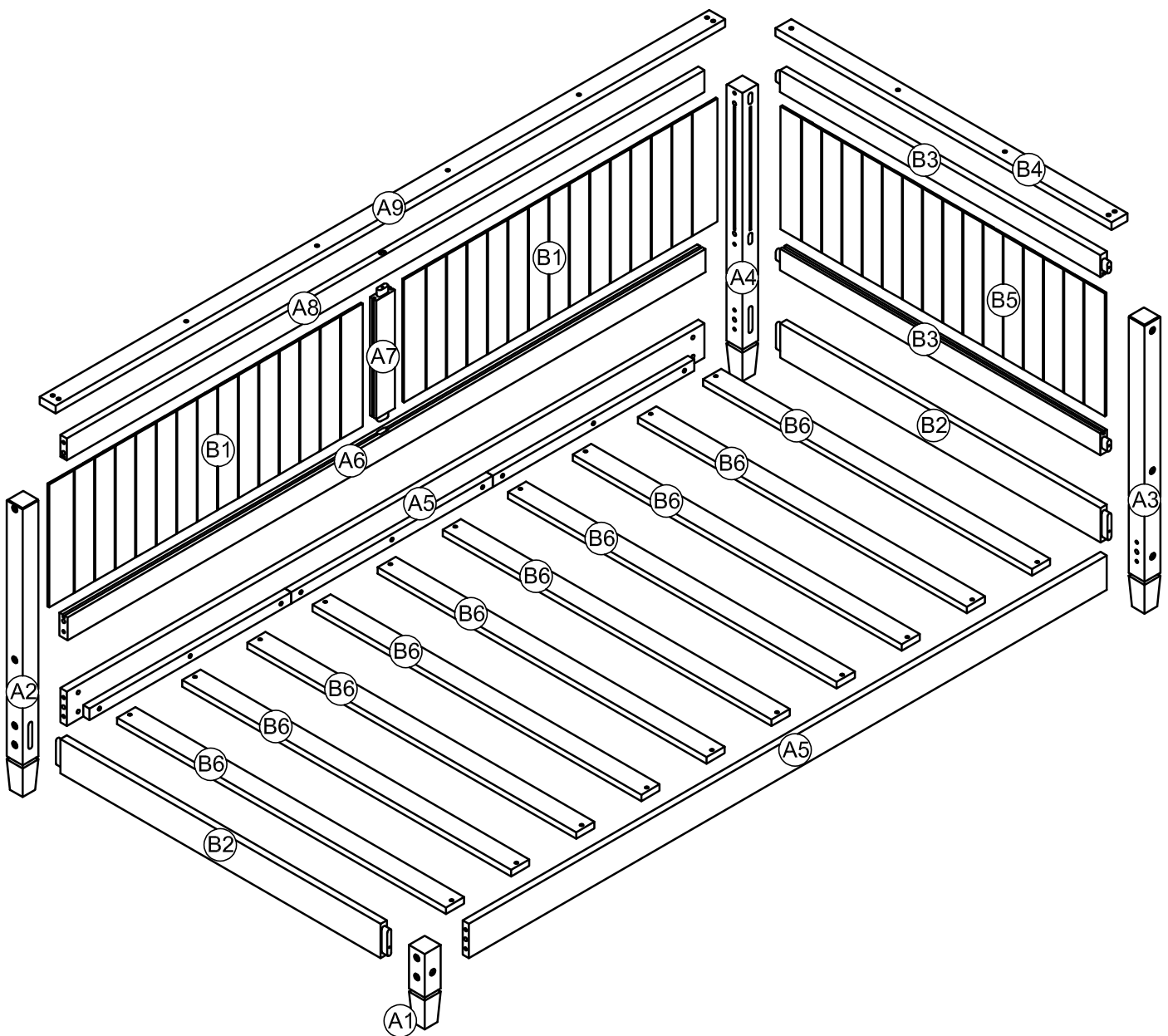






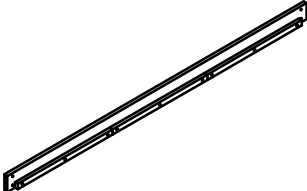
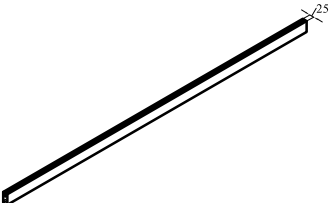

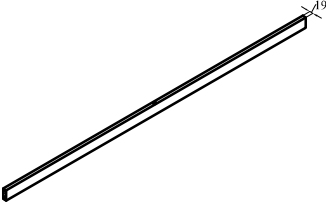
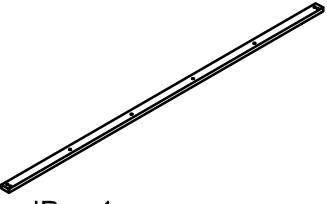
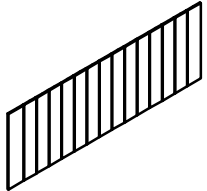
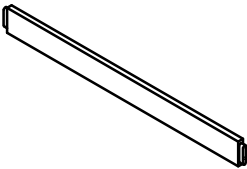

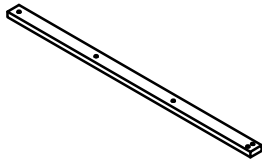
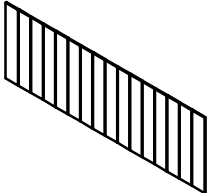
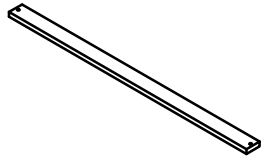
ASSEMBLY INSTRUCTION



ASSEMBLY INSTRUCTION

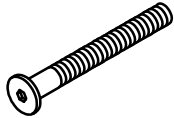


Part List & Hardware List

<p>A1</p>  <p>Leg-1pc</p>	<p>A2</p>  <p>Leg-1pc</p>	<p>A3</p>  <p>Leg-1pc</p>
<p>A4</p>  <p>Leg-1pc</p>	<p>A5</p>  <p>Side Rail-2pcs</p>	<p>A6</p>  <p>WoodBar-1pc</p>
<p>A7</p>  <p>WoodBar-1pc</p>	<p>A8</p>  <p>WoodBar-1pc</p>	<p>A9</p>  <p>WoodBar-1pc</p>
<p>B1</p>  <p>Panel-2pcs</p>	<p>B2</p>  <p>WoodBar-2pcs</p>	<p>B3</p>  <p>WoodBar-2pcs</p>
<p>B4</p>  <p>WoodBar-1pc</p>	<p>B5</p>  <p>Panel-1pc</p>	<p>B6</p>  <p>Slats-10pcs</p>

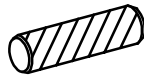
Hardware List

1



Ø1/4" x 100 mm
Hex-Head bolts 12pcs

2



Ø10 x 40 mm
Wood dowel 8pcs

3



Screws 1/4" x60
8pcs

4



Ø1/4" x 13 mm
Horizontal-Hole bolts 12pcs

5



Allen Key 1pc

6



M4 x 30 mm
Wood Screws 20pcs

7

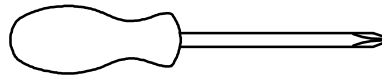


M4 x 35 mm
Wood Screws 13pcs

8

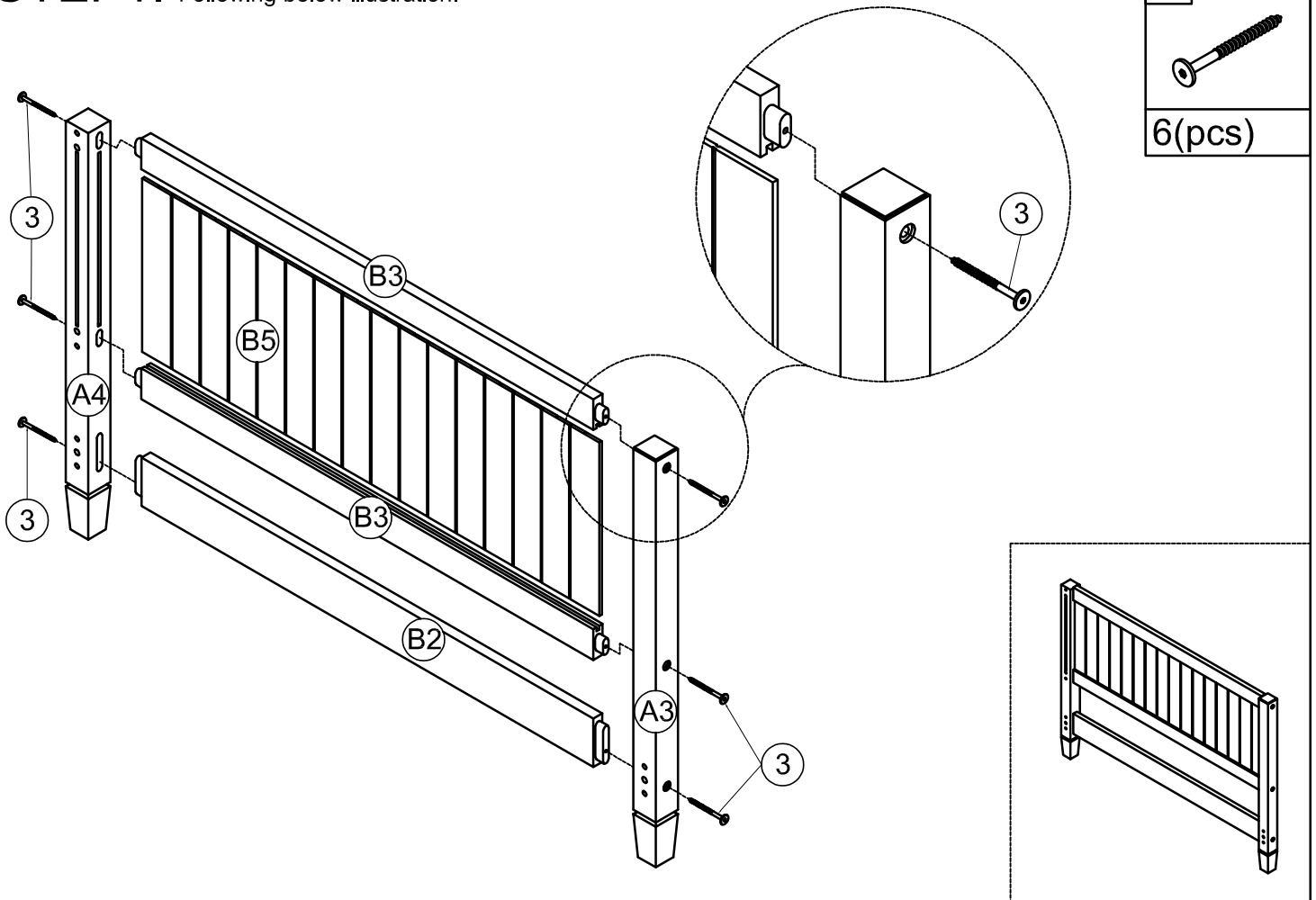


Screws 1/4" x70
2pcs

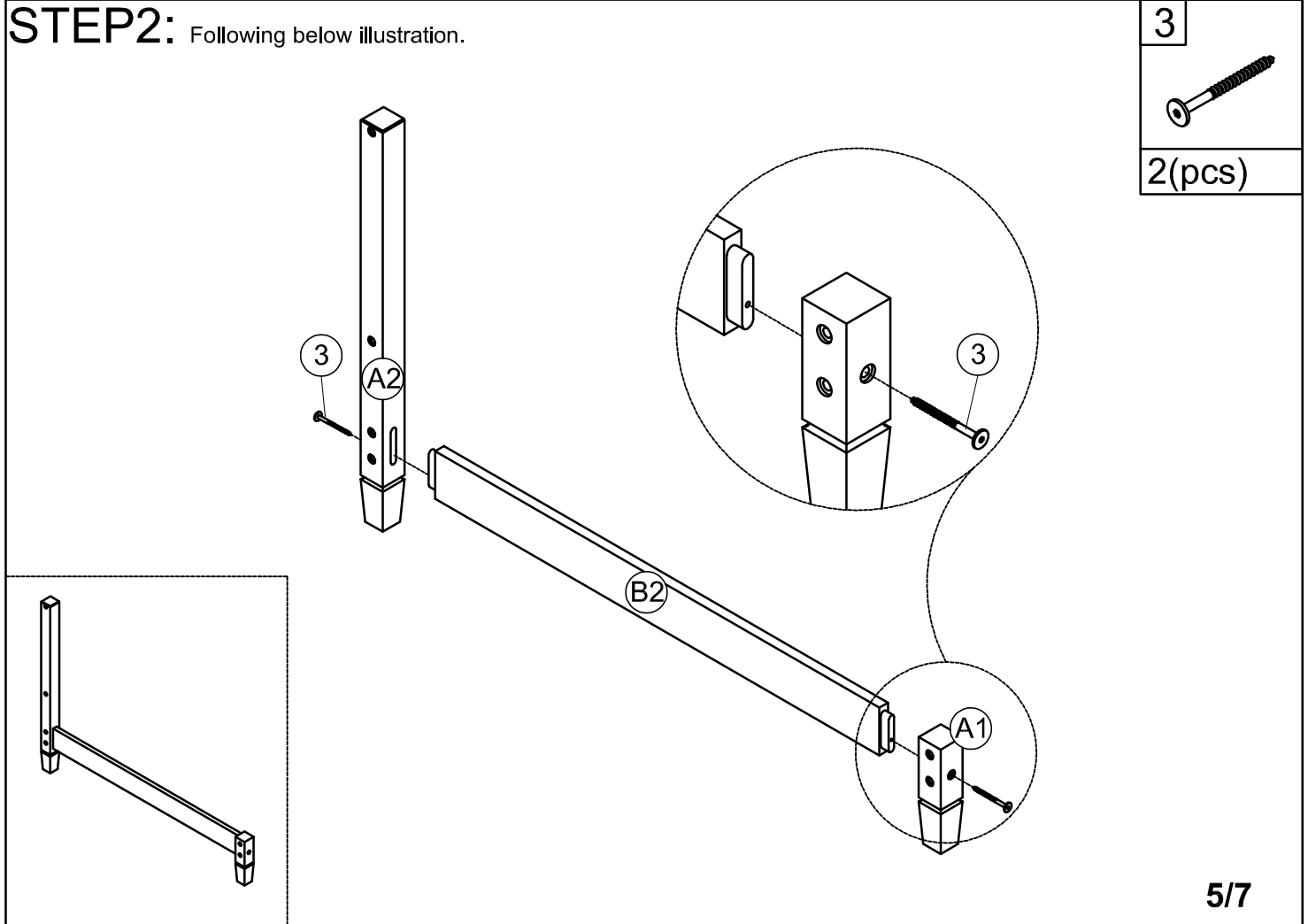


Assembly Tools Required (Not Included)

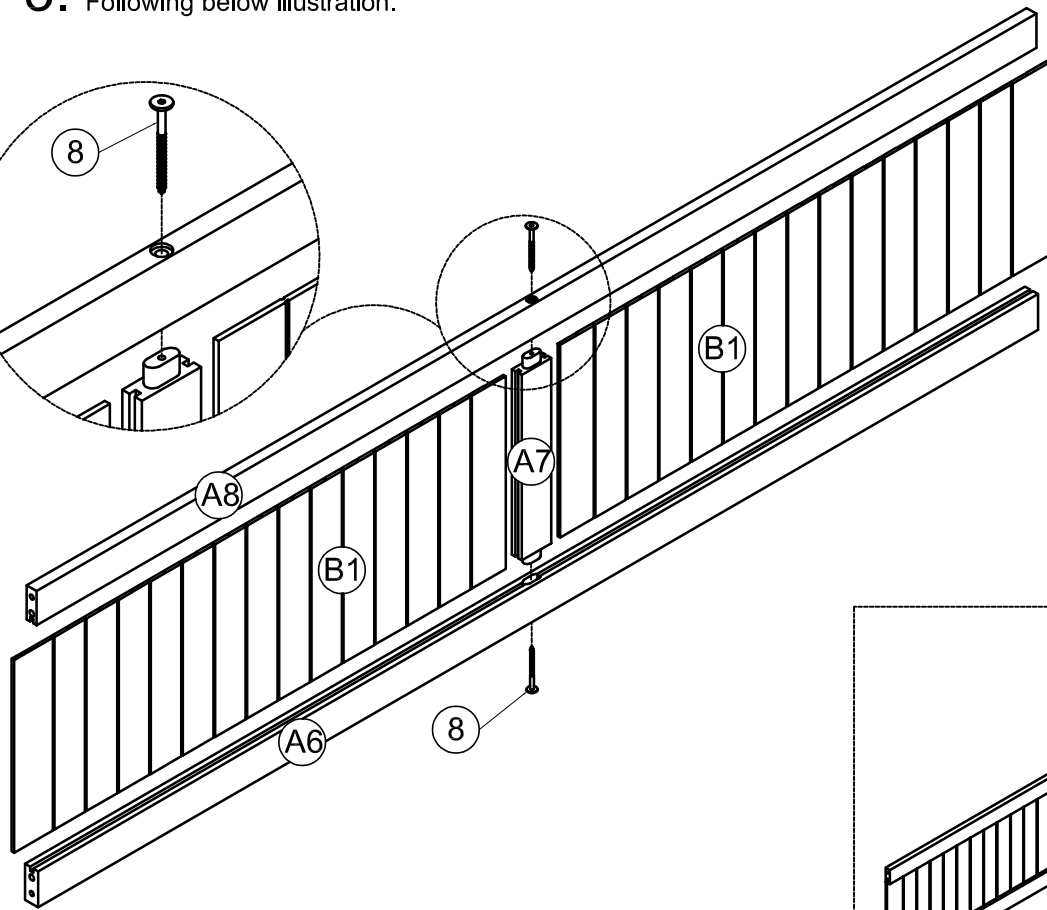
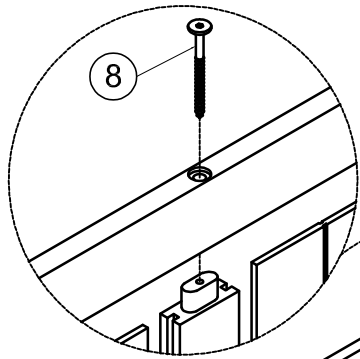
STEP1: Following below illustration.



STEP2: Following below illustration.



STEP3: Following below illustration.



8



2(pcs)

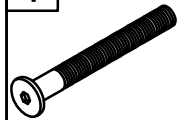
STEP4: Following below illustration.

4



12(pcs)

1

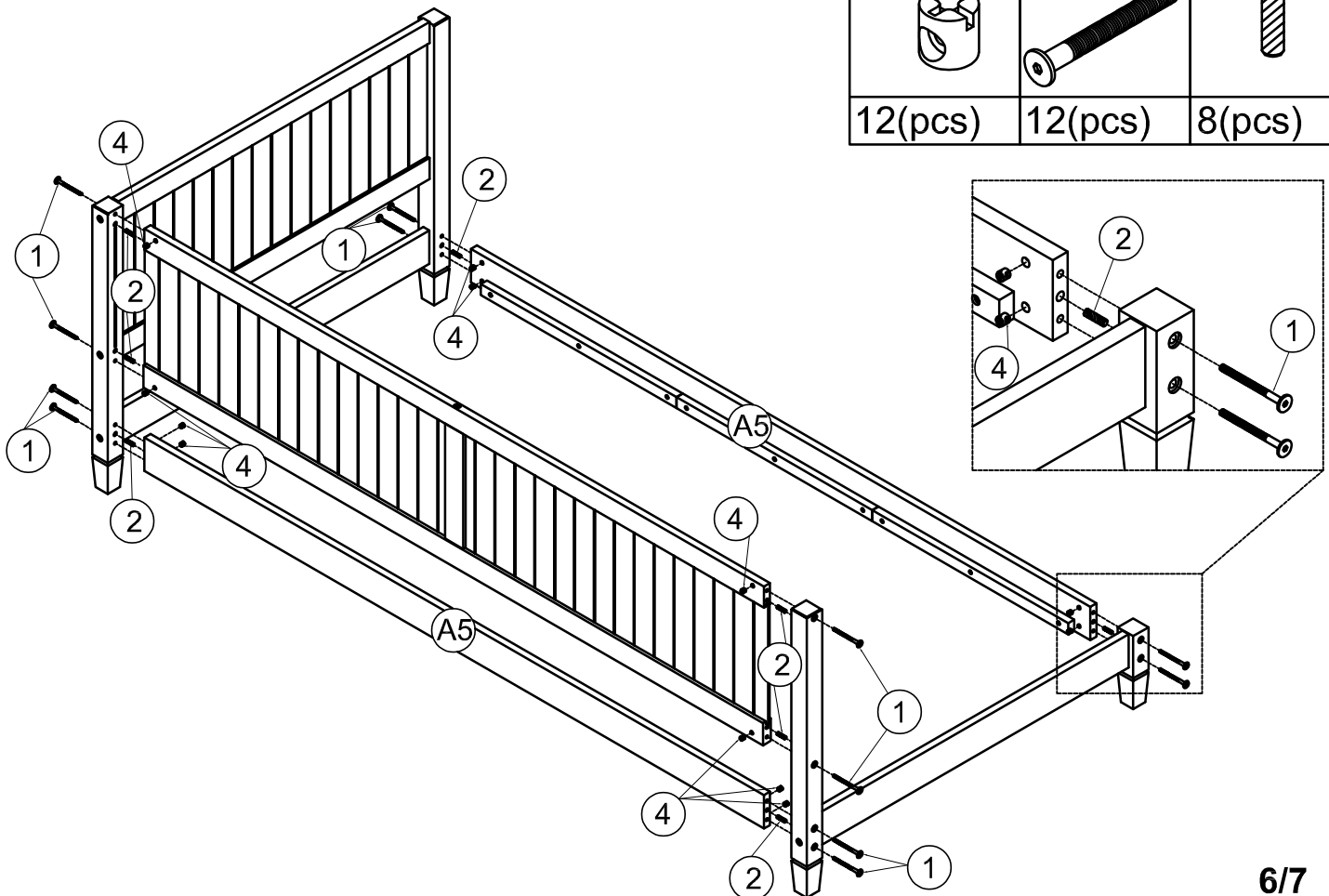


12(pcs)

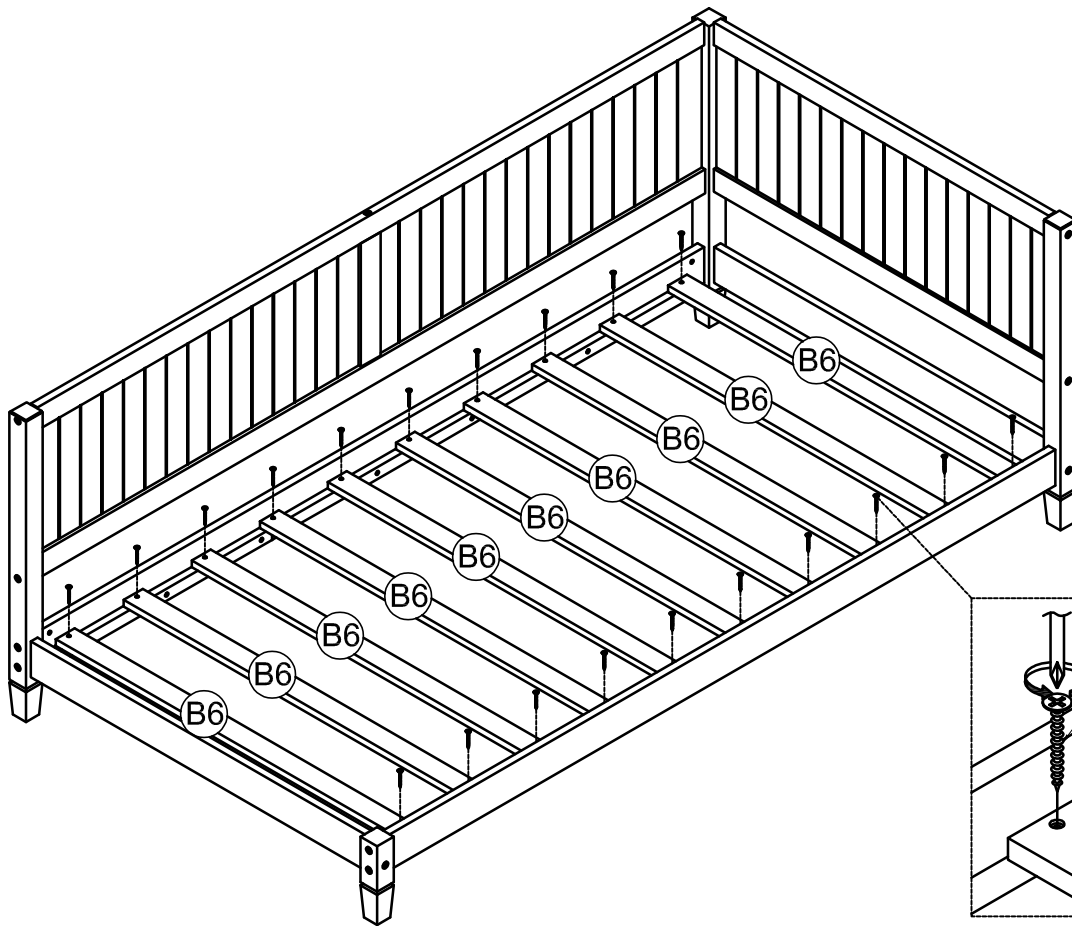
2



8(pcs)

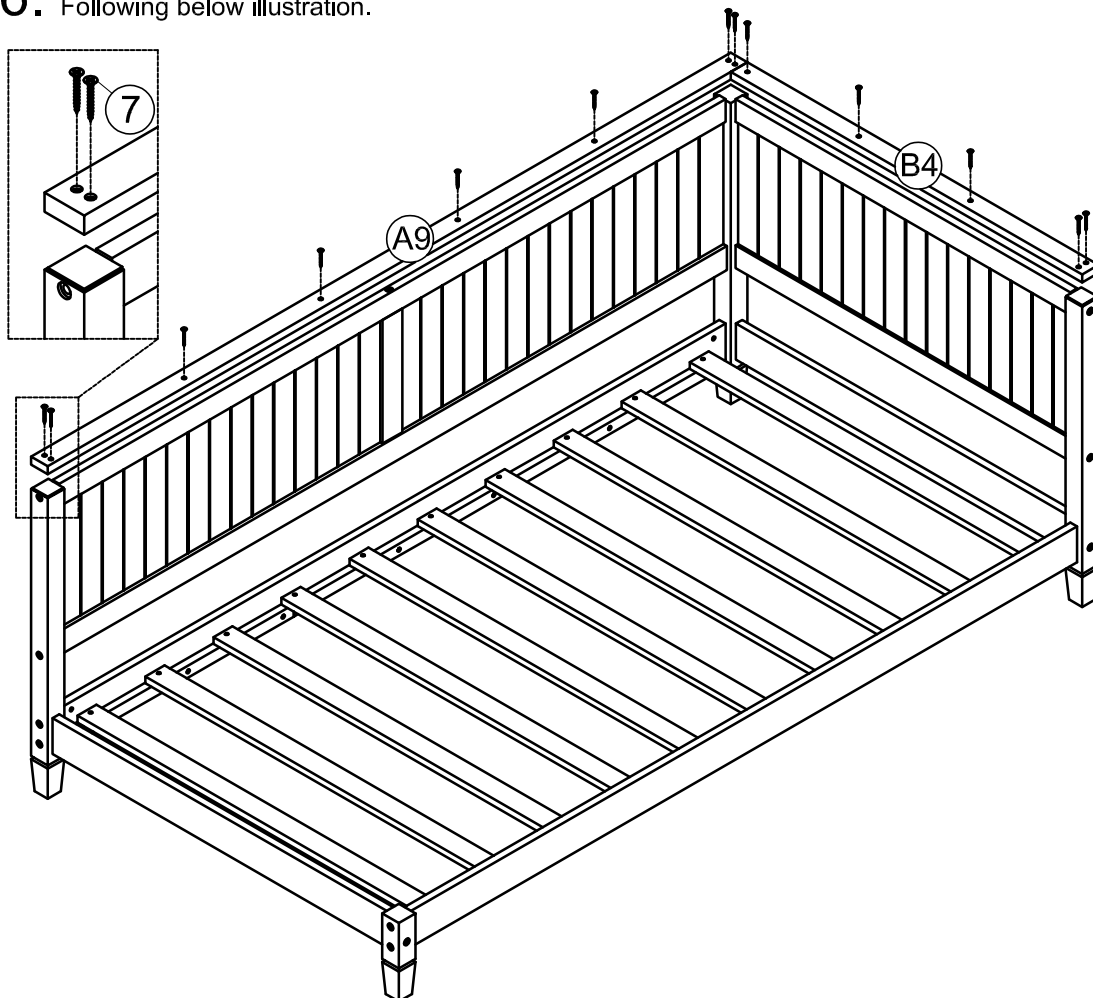


STEP5: Following below illustration.



6
20(pcs)

STEP6: Following below illustration.



7
13(pcs)