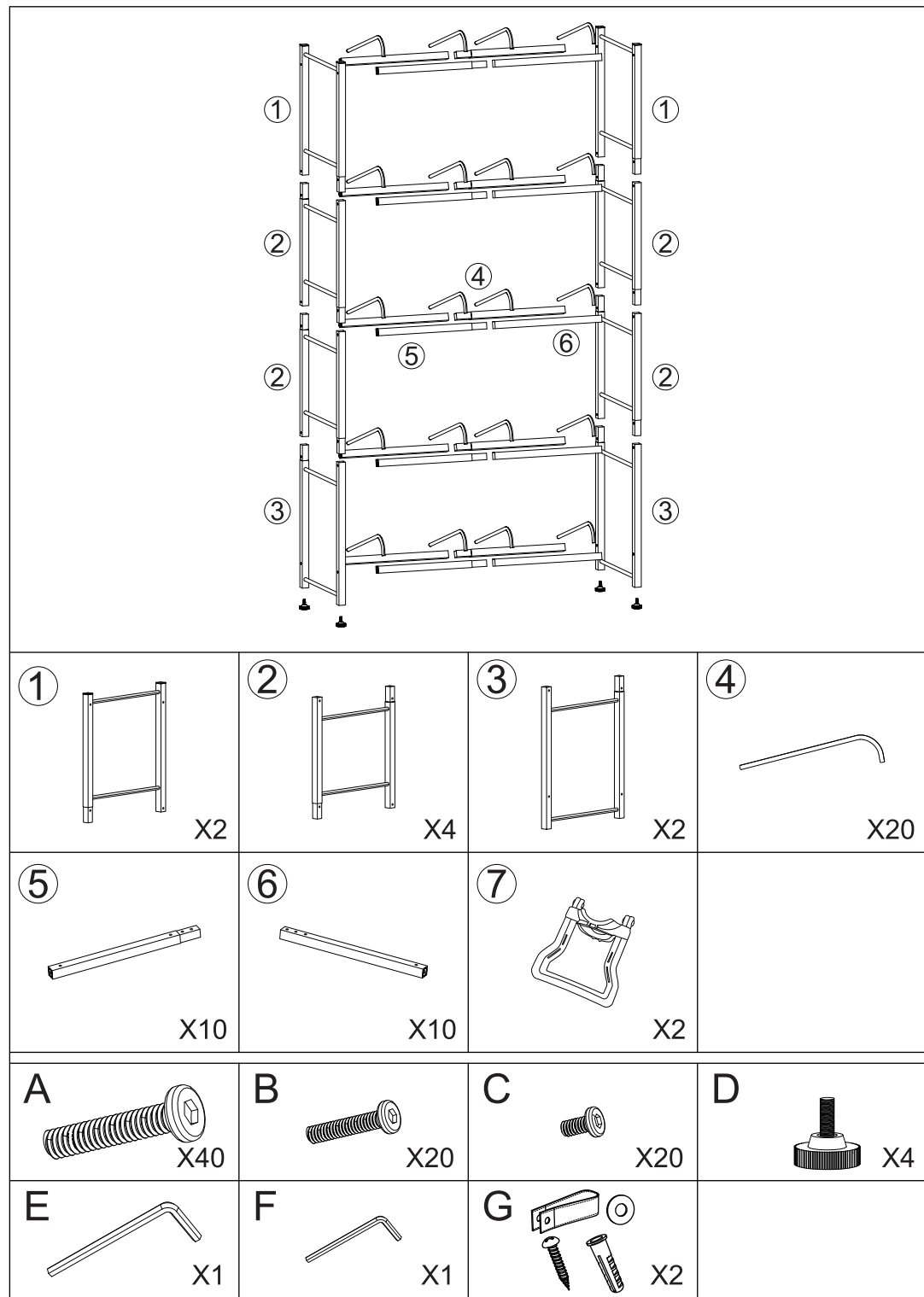
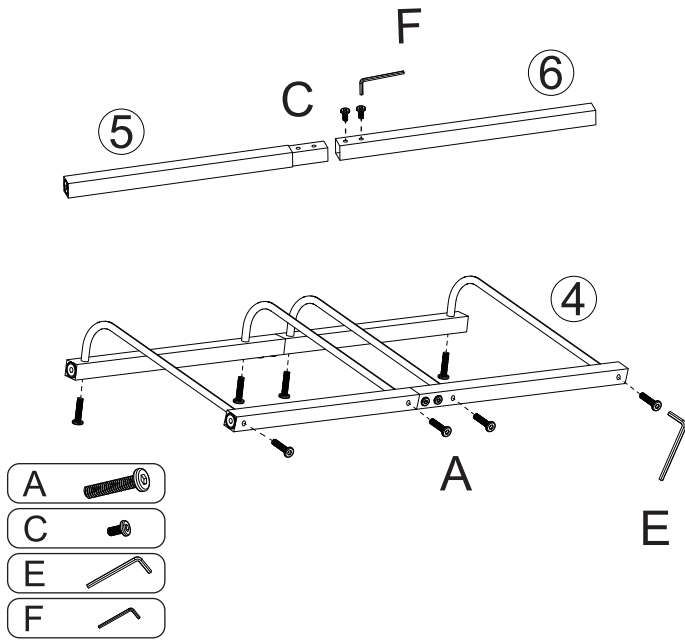


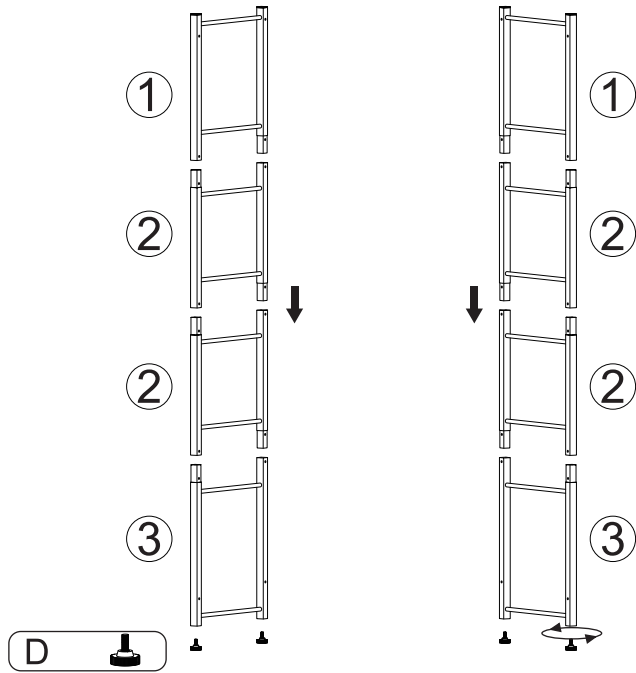
CAUTION:When tightening the screws, tighten sequentially. Do not tighten any screws fully and then towards the next one. When every part is OK, then tighten all the screws.



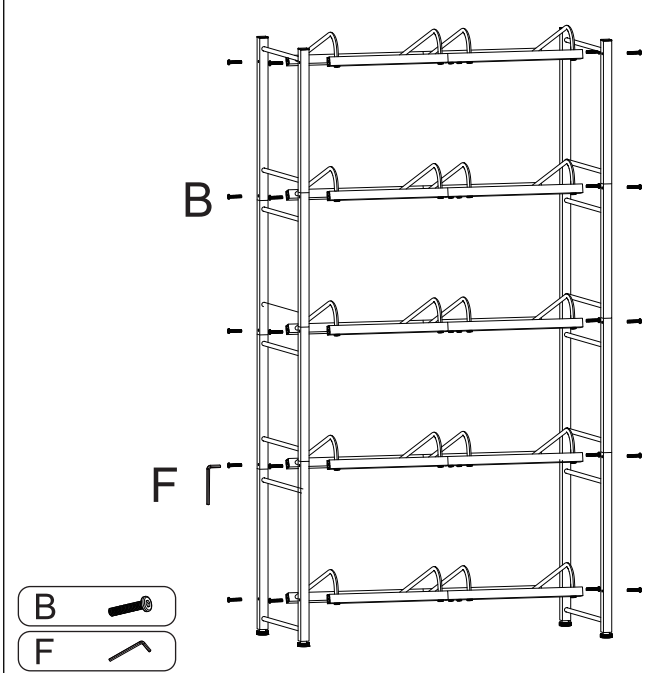
STEP 1



STEP 2

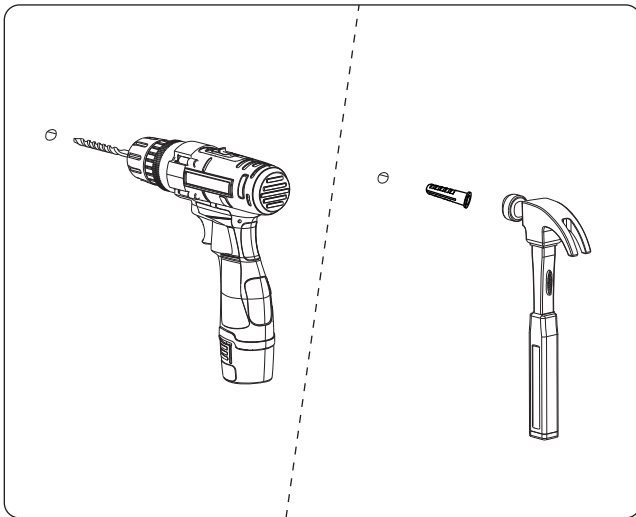


STEP 3

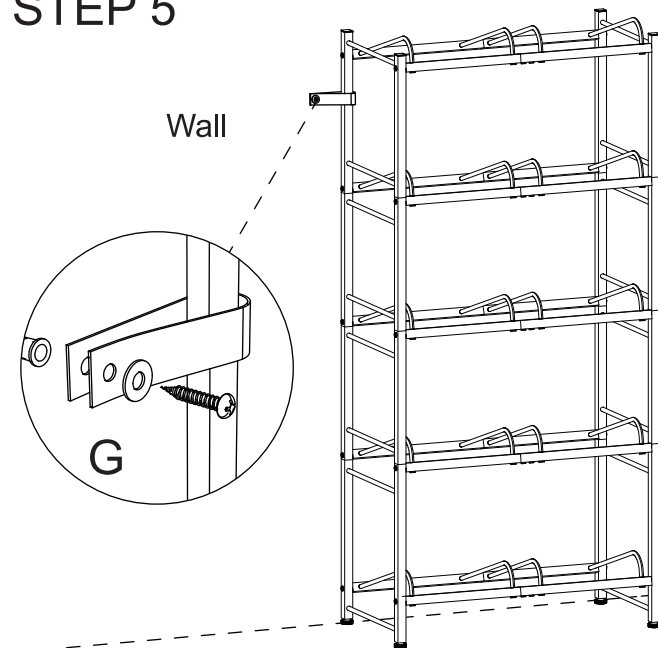


STEP 4

Drill holes to wall according to drilling distances, install wall anchors provided into holes.



STEP 5



STEP 6

Two ways to use the handle

