

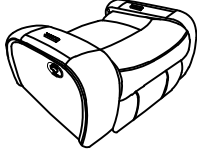
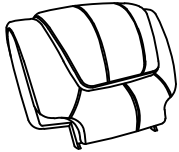


# Assembly Instruction

ITEM NO.: 9639BR/BK/GY-1

Glider Reclining Chair

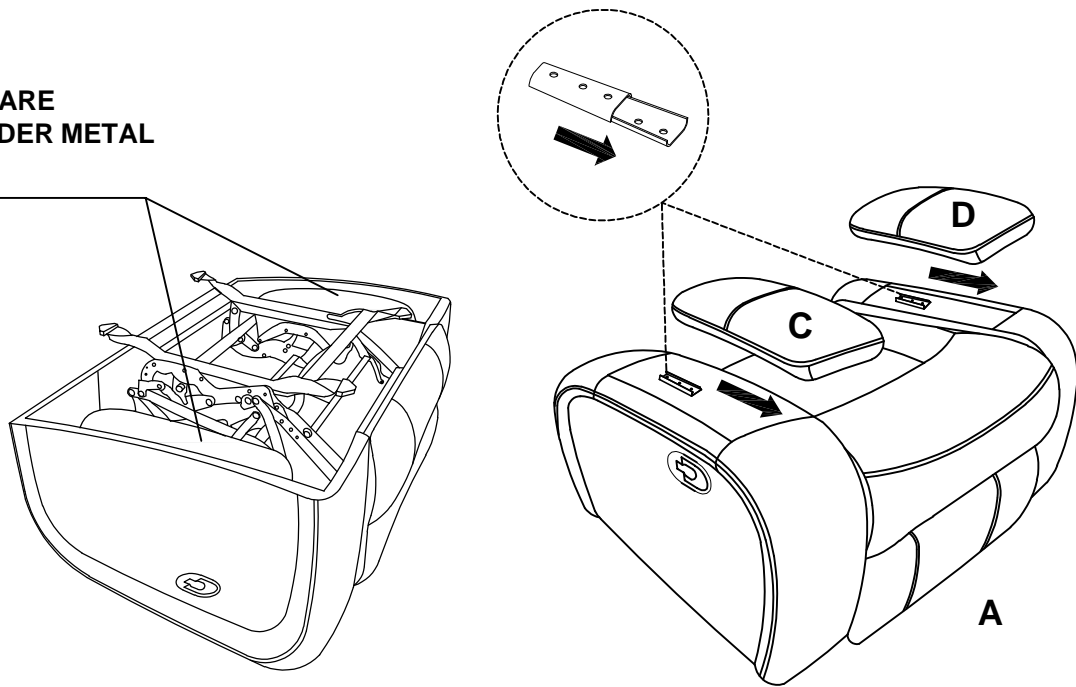
Note: Do not use power tools for assembly. Power tools increase the risk of over tightening which lead to splitting or cracking the wood.

## Component list

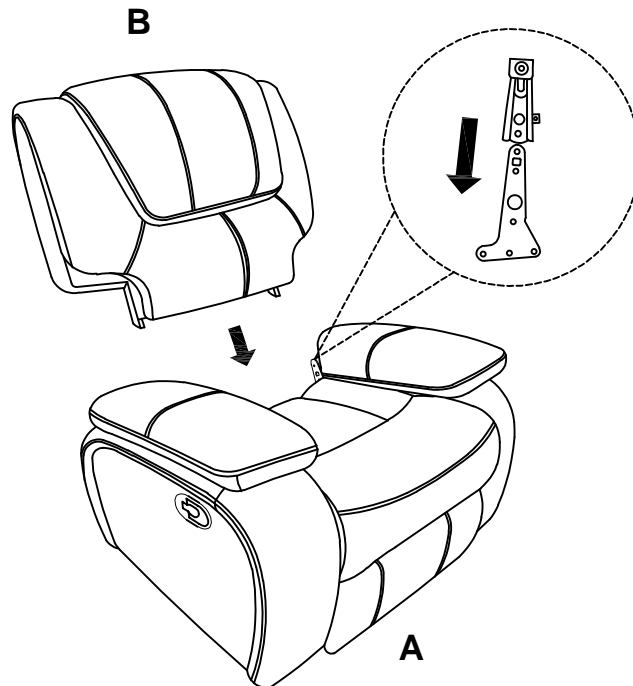
No	Drawing	Description	Qty
<b>A</b>		<b>SEAT</b>	<b>1PC</b>
<b>B</b>		<b>BACK REST</b>	<b>1PC</b>
<b>C</b>		<b>LSF ARM REST</b>	<b>1PC</b>
<b>D</b>		<b>RSF ARM REST</b>	<b>1PC</b>

## Step #1

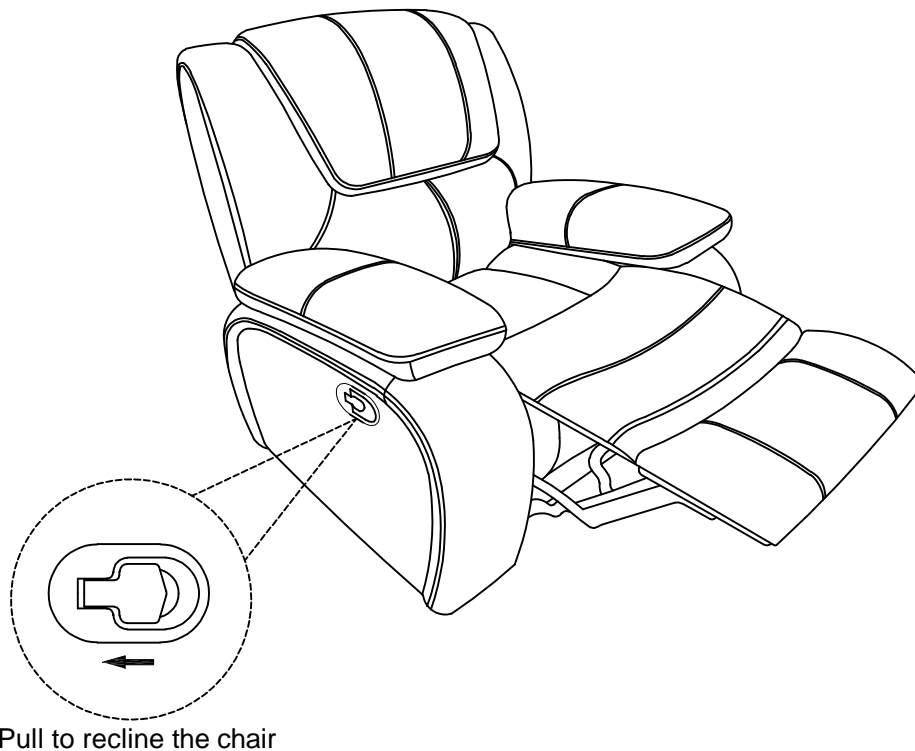
ARM RESTS ARE  
STORED UNDER METAL  
FRAME



## Step #2



### Step #3



### Care Instruction for Genuine Leather match with PVC Furniture:

In order to maintain the original appearance of your Genuine Leather match with PVC, please follow below simple care procedures:

- Avoid exposing furniture directly to sunlight or heating and air conditioning outlets. Sunlight and/or exposure to heating and air conditioning outlets will fade/damage Genuine Leather match with PVC.
- Vacuum or wipe with a soft cloth to remove dust.
- Hardware may loosen over time. Periodically check to make sure all connections are tight, Re-tighten if necessary.



For items use on wooden floor, hard surfaces or carpets, it is recommended to Install protective pads under all legs and supports to avoid/prevent from damages/scratches and discoloration.

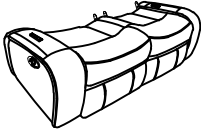
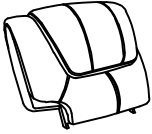



# Assembly Instruction

ITEM NO.: 9639BR/BK/GY-2

Double Reclining Love Seat

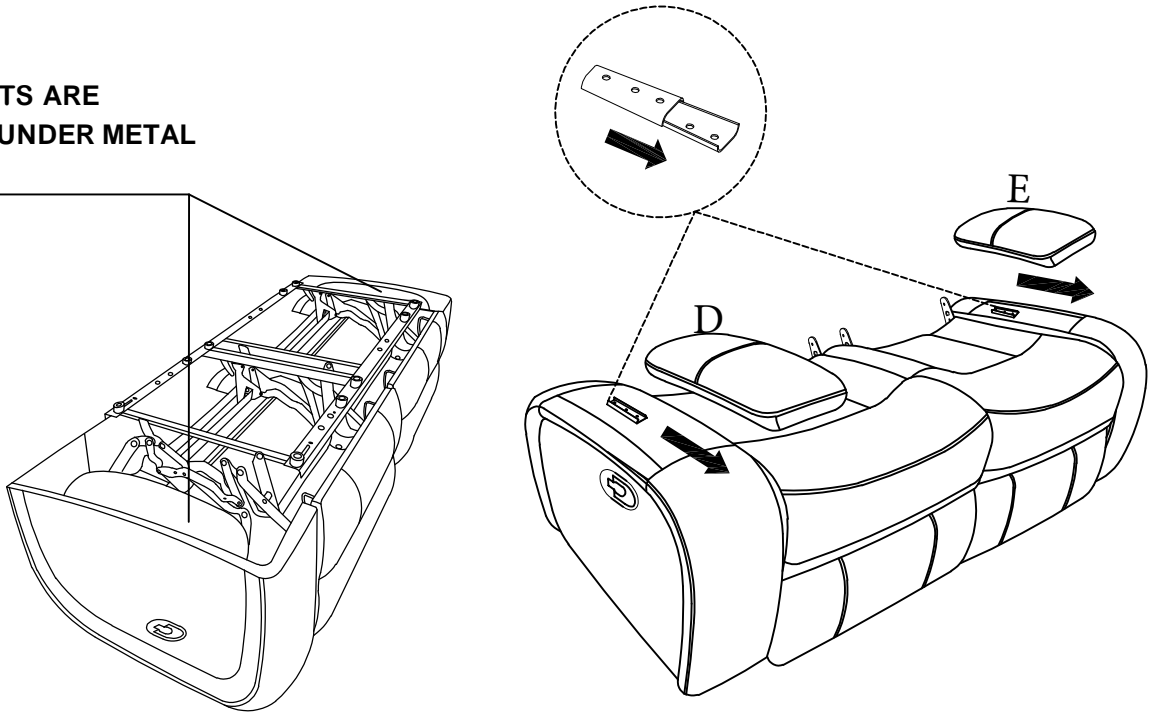
Note: Do not use power tools for assembly. Power tools increase the risk of over tightening which lead to splitting or cracking the wood.

## Component list

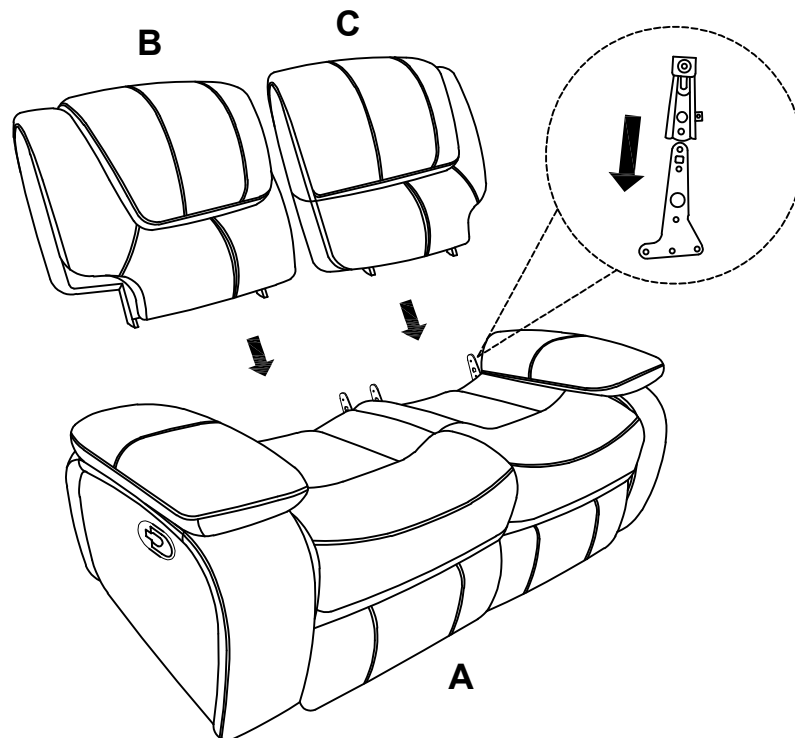
No	Drawing	Description	Qty
<b>A</b>		<b>SEAT</b>	<b>1PC</b>
<b>B</b>		<b>LSF BACK REST</b>	<b>1PC</b>
<b>C</b>		<b>RSF BACK REST</b>	<b>1PC</b>
<b>D</b>		<b>LSF ARM REST</b>	<b>1PC</b>
<b>E</b>		<b>RSF ARM REST</b>	<b>1PC</b>

## Step #1

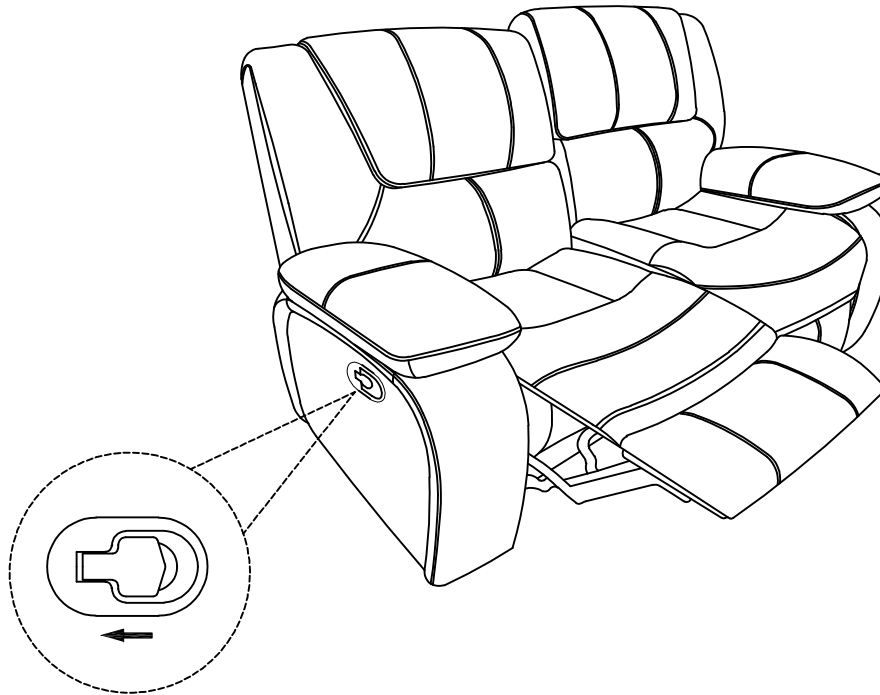
ARM RESTS ARE  
STORED UNDER METAL  
FRAME



## Step #2



### Step #3



Pull to recline the chair

### Care Instruction for Genuine Leather match with PVC Furniture:

In order to maintain the original appearance of your Genuine Leather match with PVC, please follow below simple care procedures:

- Avoid exposing furniture directly to sunlight or heating and air conditioning outlets. Sunlight and/or exposure to heating and air conditioning outlets will fade/damage Genuine Leather match with PVC.
- Vacuum or wipe with a soft cloth to remove dust.
- Hardware may loosen over time. Periodically check to make sure all connections are tight, Re-tighten if necessary.



For items use on wooden floor, hard surfaces or carpets, it is recommended to Install protective pads under all legs and supports to avoid/prevent from damages/scratches and discoloration.

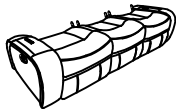





# Assembly Instruction

ITEM NO.: 9639BR/BK/GY-3

Double Reclining Sofa

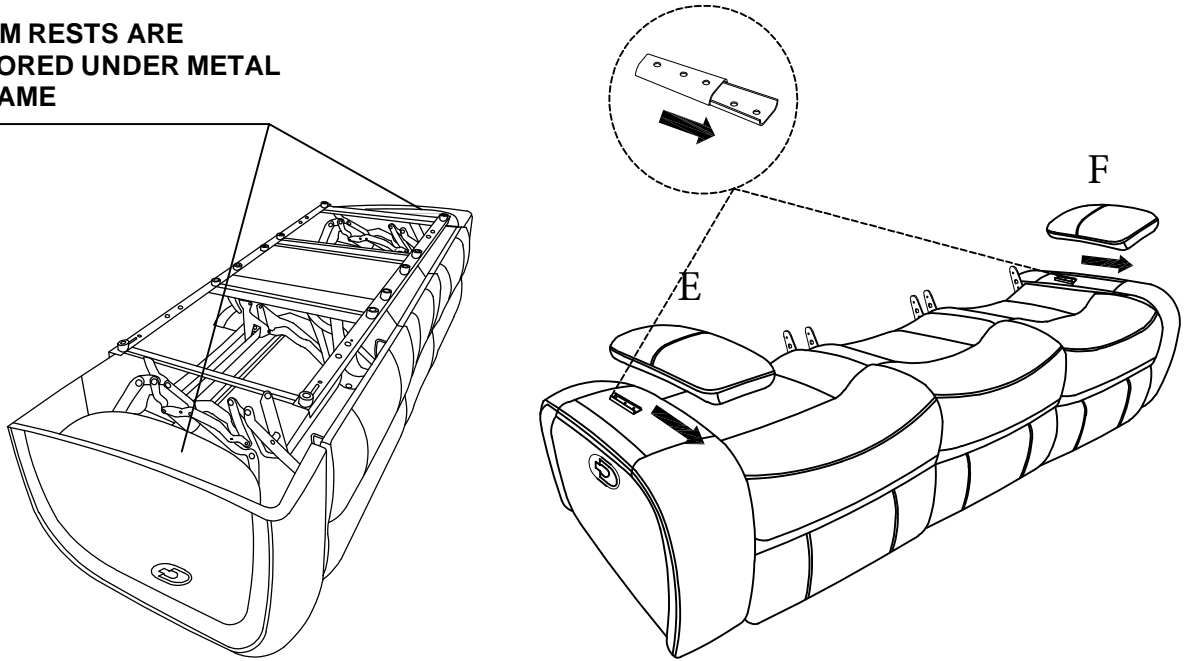
Note: Do not use power tools for assembly. Power tools increase the risk of over tightening which lead to splitting or cracking the wood.

## Component list

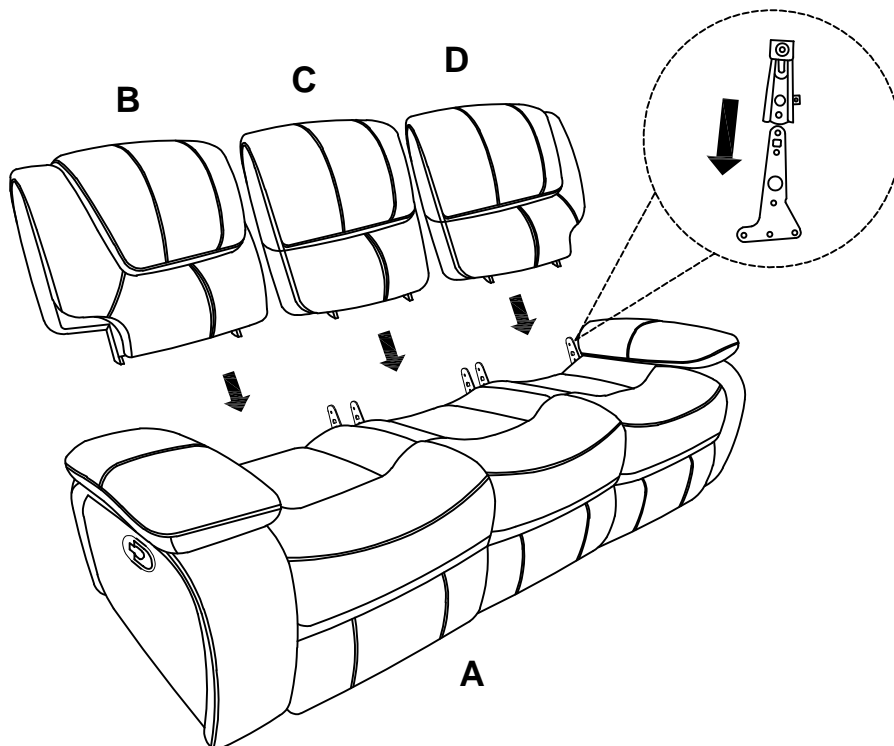
No	Drawing	Description	Qty
<b>A</b>		<b>SEAT</b>	<b>1PC</b>
<b>B</b>		<b>LSF BACK REST</b>	<b>1PC</b>
<b>C</b>		<b>MIDDLE BACK REST</b>	<b>1PC</b>
<b>D</b>		<b>RSF BACK REST</b>	<b>1PC</b>
<b>E</b>		<b>LSF ARM REST</b>	<b>1PC</b>
<b>F</b>		<b>RSF ARM REST</b>	<b>1PC</b>

## Step #1

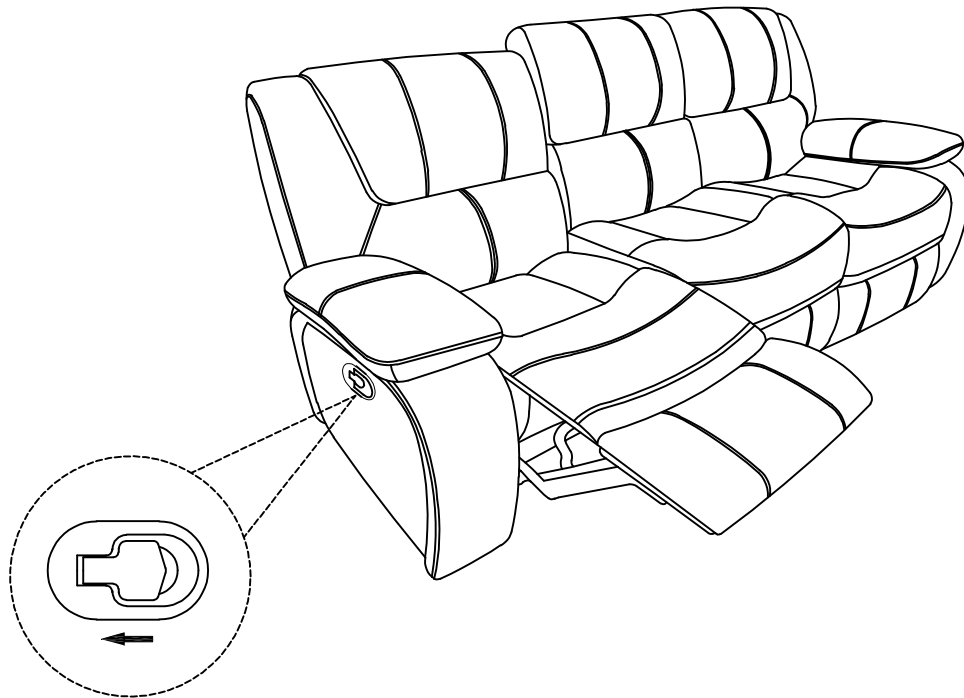
ARM RESTS ARE  
STORED UNDER METAL  
FRAME



## Step #2



### Step #3



Pull to recline the chair

### Care Instruction for Genuine Leather match with PVC Furniture:

In order to maintain the original appearance of your Genuine Leather match with PVC, please follow below simple care procedures:

- Avoid exposing furniture directly to sunlight or heating and air conditioning outlets. Sunlight and/or exposure to heating and air conditioning outlets will fade/damage Genuine Leather match with PVC.
- Vacuum or wipe with a soft cloth to remove dust.
- Hardware may loosen over time. Periodically check to make sure all connections are tight, Re-tighten if necessary.



For items use on wooden floor, hard surfaces or carpets, it is recommended to Install protective pads under all legs and supports to avoid/prevent from damages/scratches and discoloration.