



## **WARNING!**

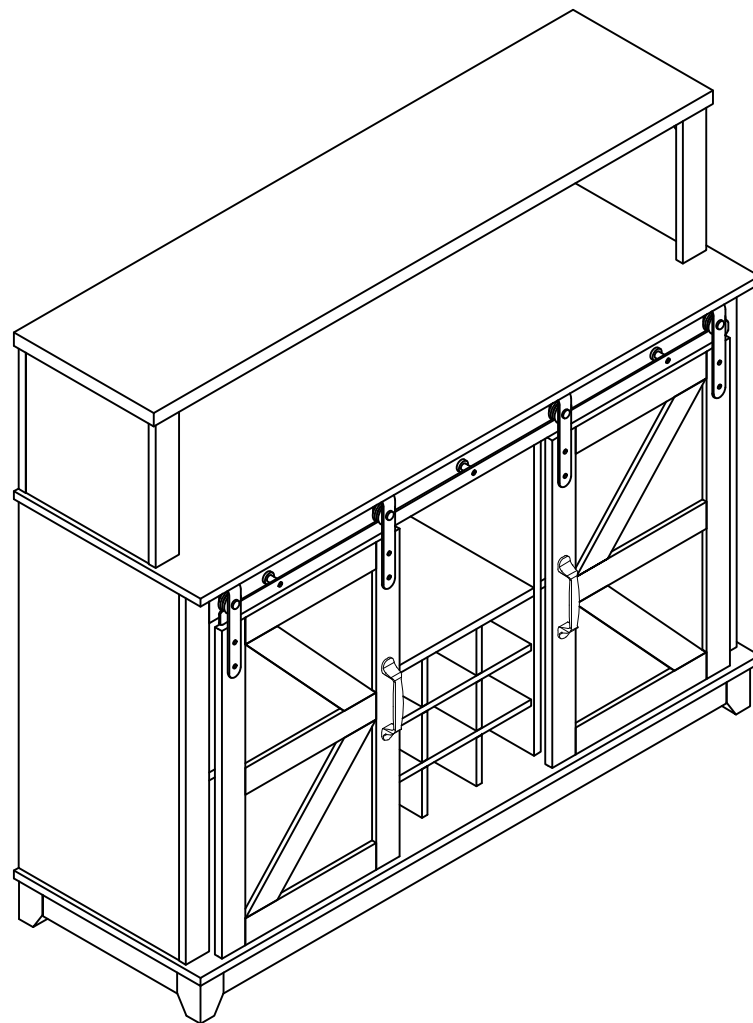
Children have died from furniture tipover. Fixed wall device have been included with this product;you must install the fixed wall device according to these instructions in order to minimize the risk of furniture.If you have any questions about this product or the Fixed wall device , please contact us immediately.

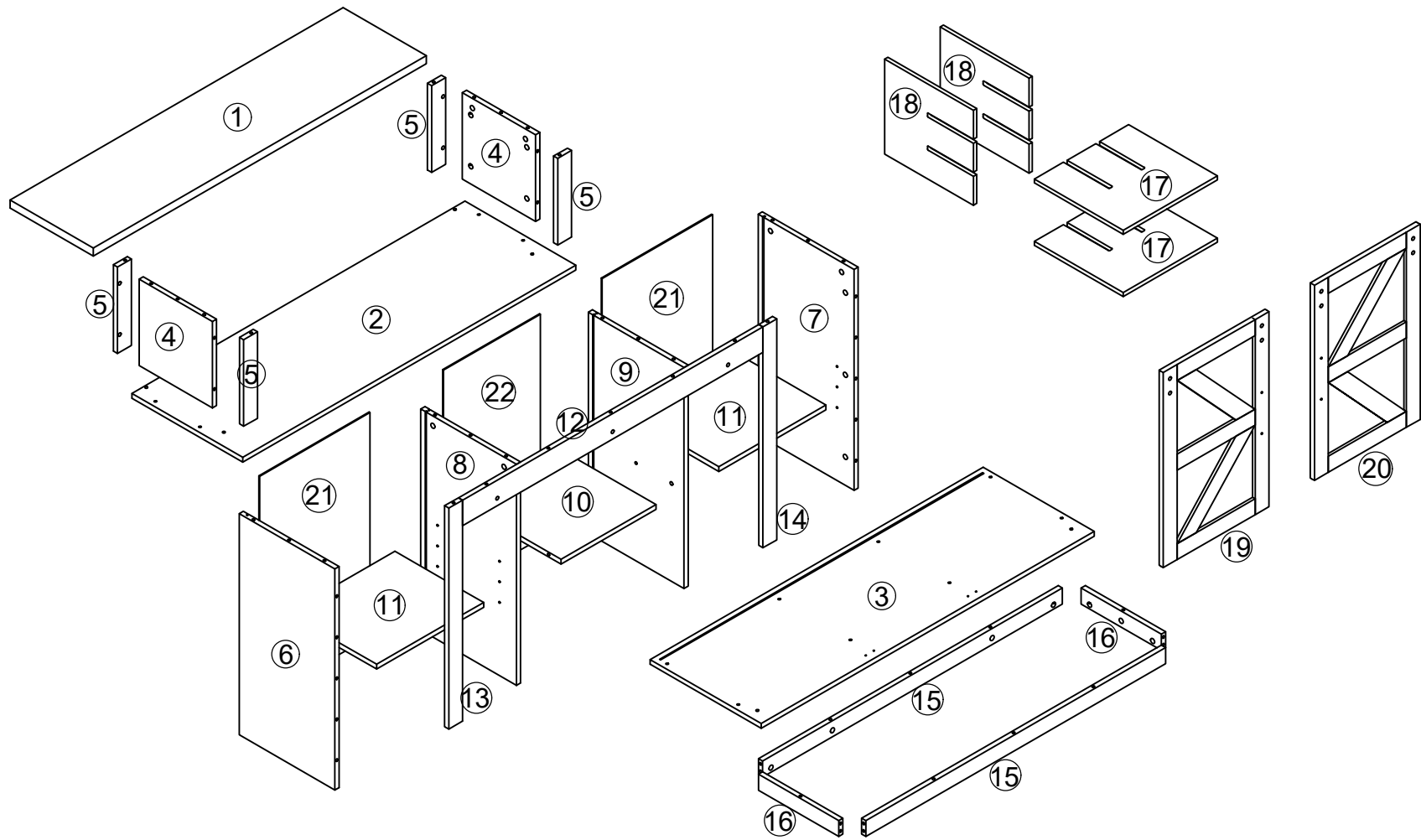
Never allow children to climb or hang on furniture,including drawers or cabiner doors.



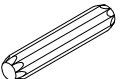


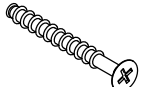
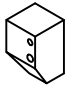



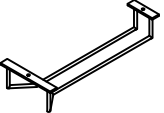

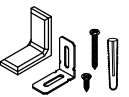
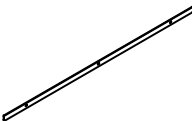






In addition to installing the restrains,to help prevent tip-over.

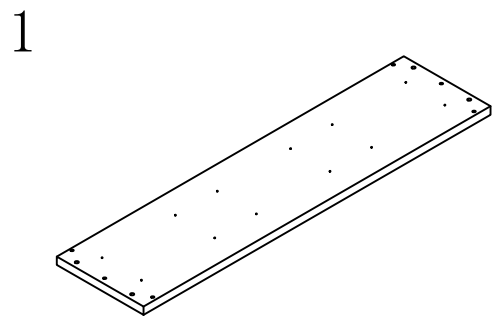
1. Never put a TV or other heavy objects on top of this product.
2. Do not stand on the product.

<b>! WARNING</b>	
	<b>Children have died from furniture tipover. To reduce the risk of furniture tipover:</b> <ul style="list-style-type: none"><li>• ALWAYS install tipover restraint provided.</li><li>• NEVER put a TV on this product.</li><li>• NEVER allow children to stand, climb or hang on drawers, doors, or shelves.</li><li>• NEVER open more than one drawer at a time.</li><li>• Place heaviest items in the lowest drawers.</li><li>• Do not defeat or remove the drawer interlock system.</li></ul> <p><i>This is a permanent label. Do not remove!</i></p>
	

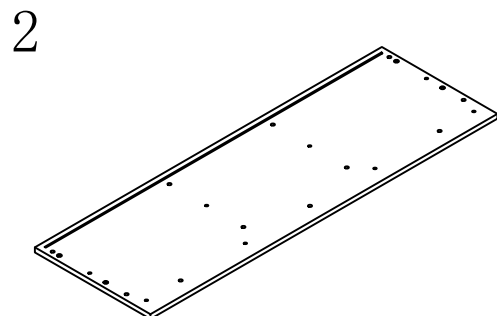




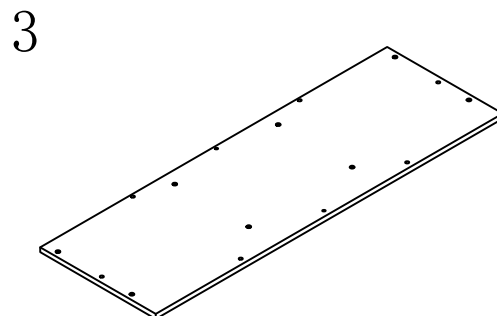
<p>A</p>  <p>47PCS</p>	<p>B</p>  <p>47PCS</p>	<p>C</p> <p>8*40</p>  <p>40PCS</p>	<p>D</p> <p>3.5*14</p>  <p>12PCS</p>	<p>E</p>  <p>8PCS</p>	<p>F</p> <p>7*50</p>  <p>12PCS</p>	<p>G</p>  <p>4PCS</p>	<p>H</p>  <p>12PCS</p>	<p>I</p> <p>128mm</p>  <p>2PCS</p>	<p>J</p> <p>4*19</p>  <p>4PCS</p>
<p>K</p>  <p>6PCS</p>	<p>L</p>  <p>12PCS</p>	<p>M</p>  <p>2PCS</p>	<p>N</p> <p>1090mm</p>  <p>1PCS</p>	<p>O</p>  <p>4PCS</p>	<p>P</p>  <p>3PCS</p>	<p>Q</p>  <p>2PCS</p>	<p>R</p> <p>6*10</p>  <p>8PCS</p>	<p>S</p> <p>6*35</p>  <p>3PCS</p>	<p>T</p> <p>3.5*14</p>  <p>4PCS</p>



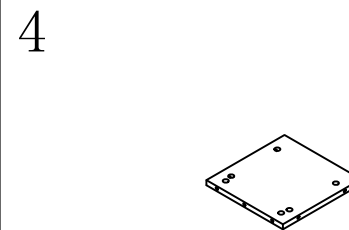
1200\*300 1PS



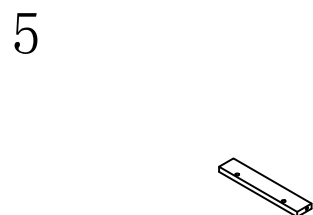
1200\*400 1PS



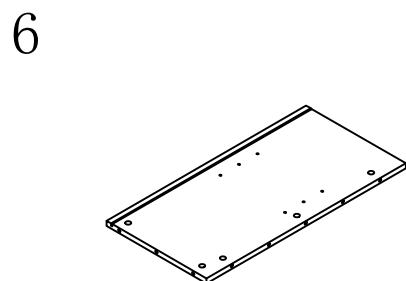
1200\*400 1PS



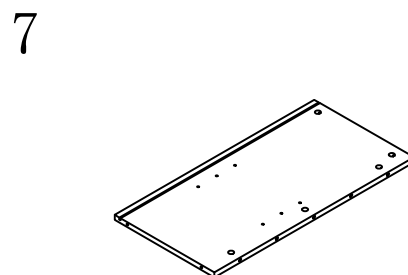
270\*264 2PS



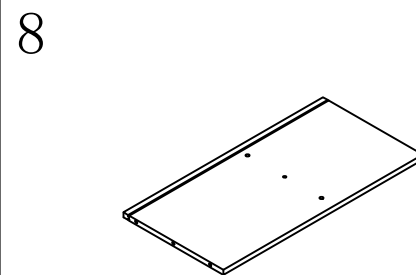
270\*50 4PS



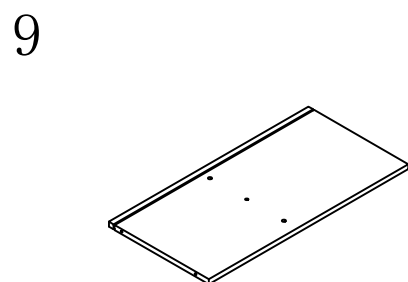
690\*345 1PS



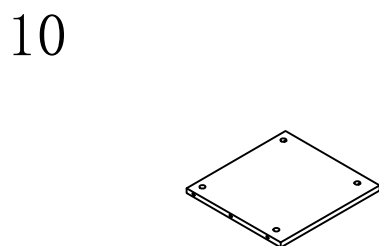
690\*345 1PS



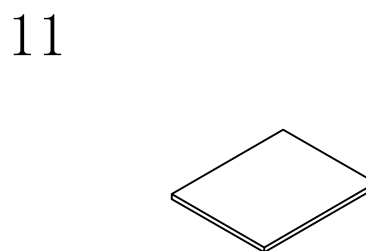
690\*345 1PS



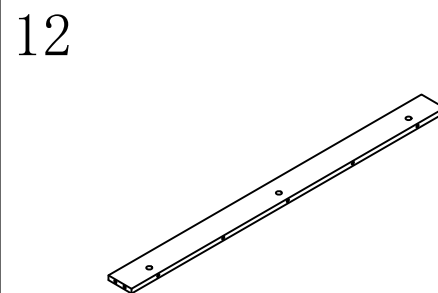
690\*345 1PS



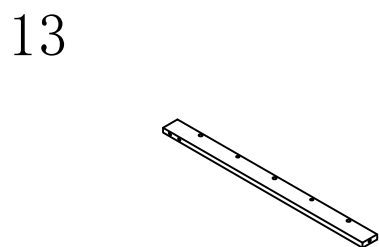
342\*325 1PS



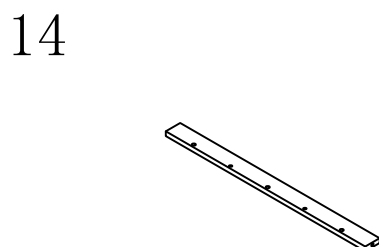
386\*320 2PS



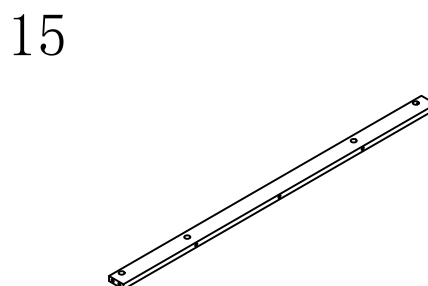
1082\*80 1PS



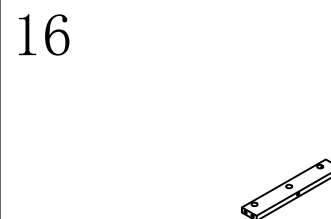
690\*50 1PS



690\*50 1PS

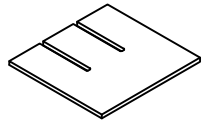


1080\*50 2PS



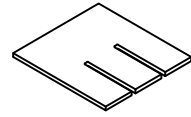
289\*50 2PS

17



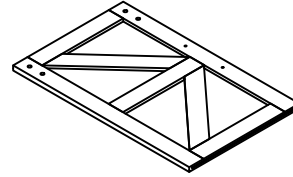
340\*320 2PS

18



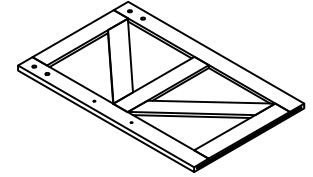
296\*320 2PS

19



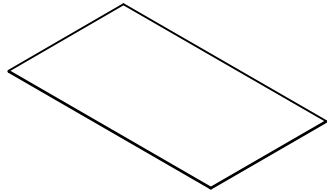
617\*389 1PS

20



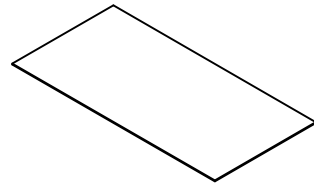
617\*389 1PS

21



700\*398 2PS

22



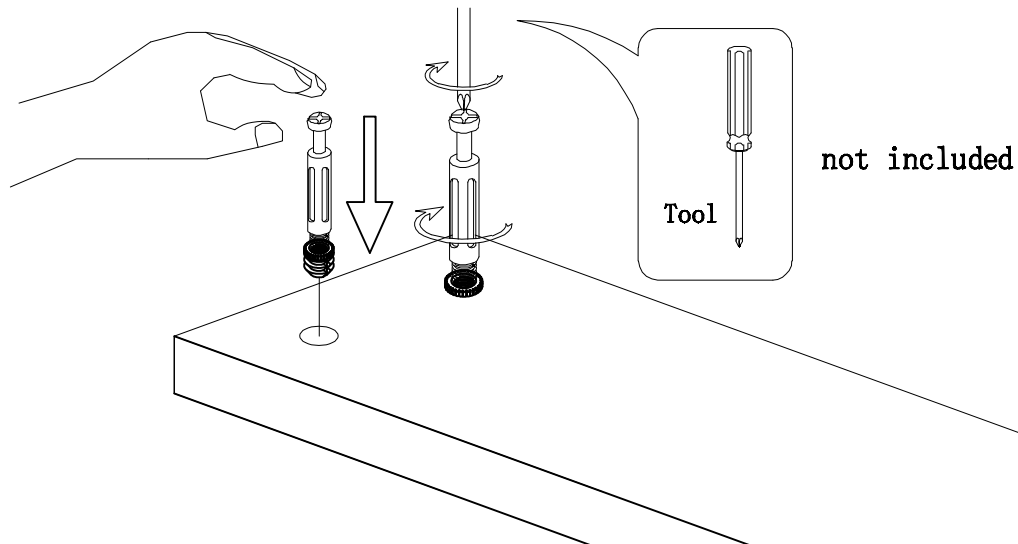
700\*349 1PS



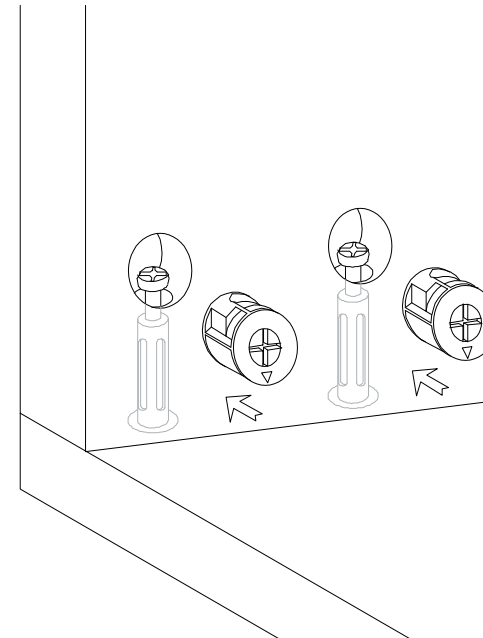
## Hardware installation demonstration

NOTE: Please make sure "A" hardware tightened and can't be pulled out!

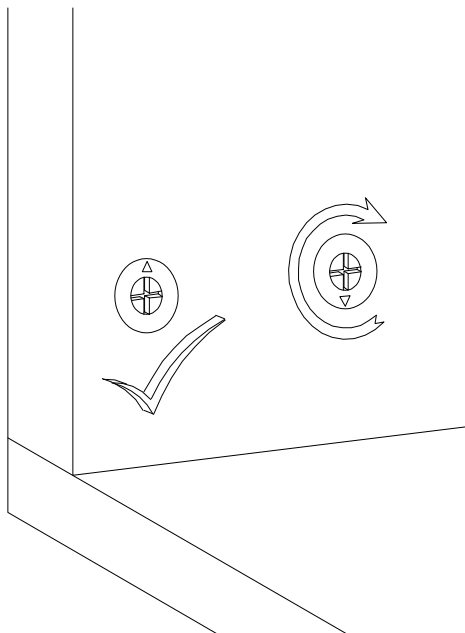
I



II



III

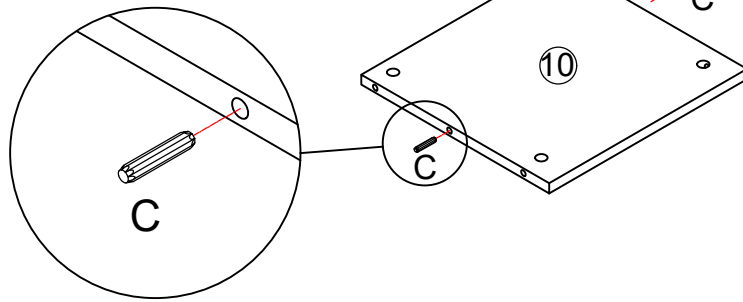
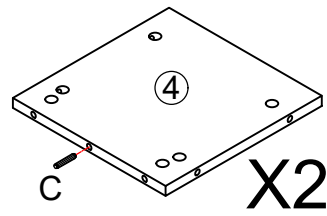
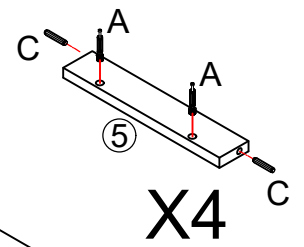
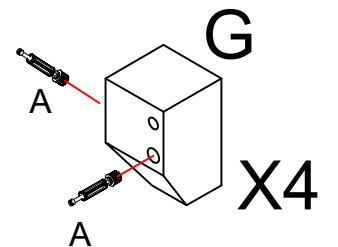
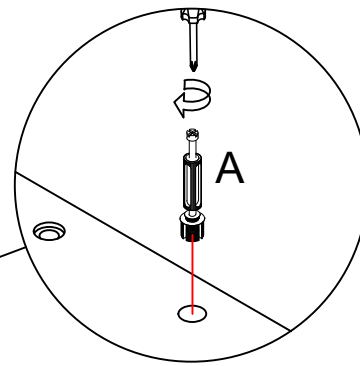
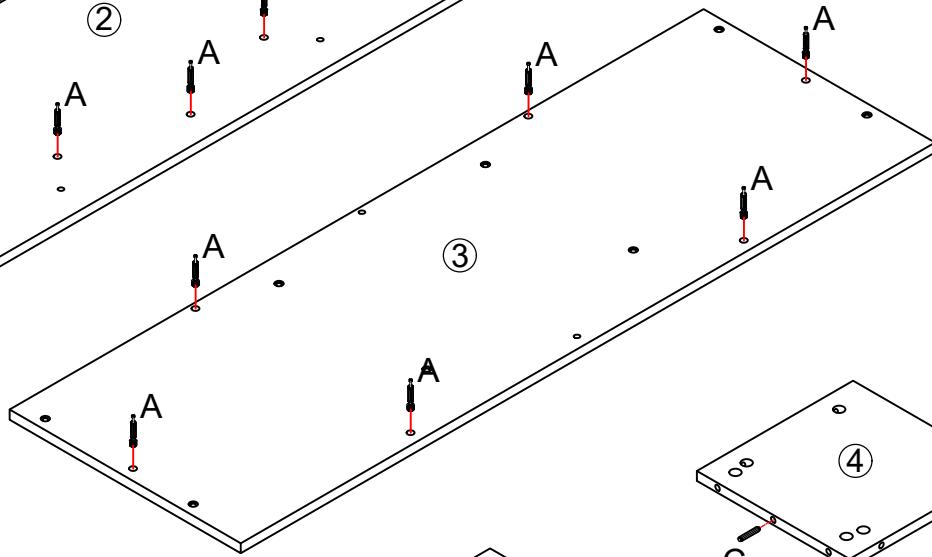
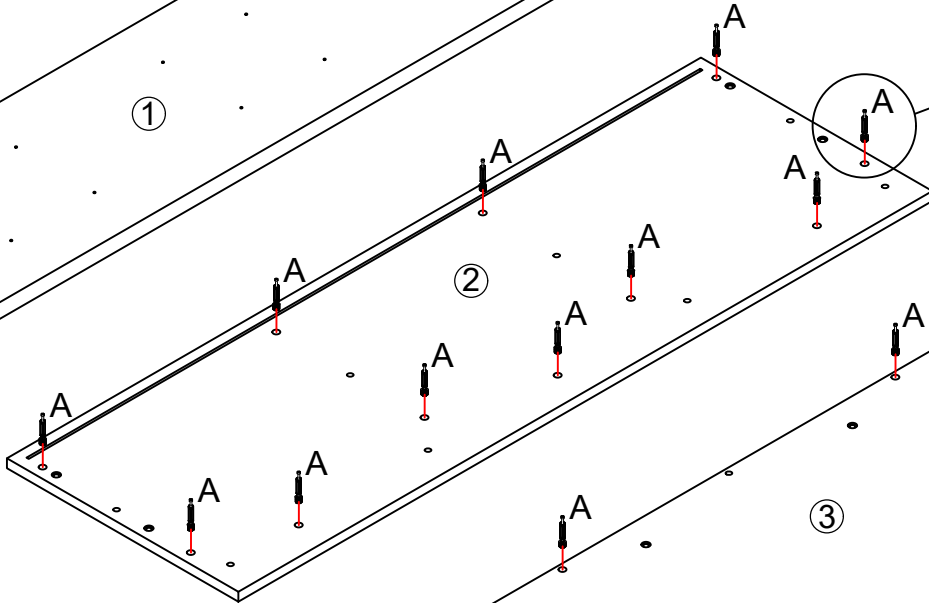
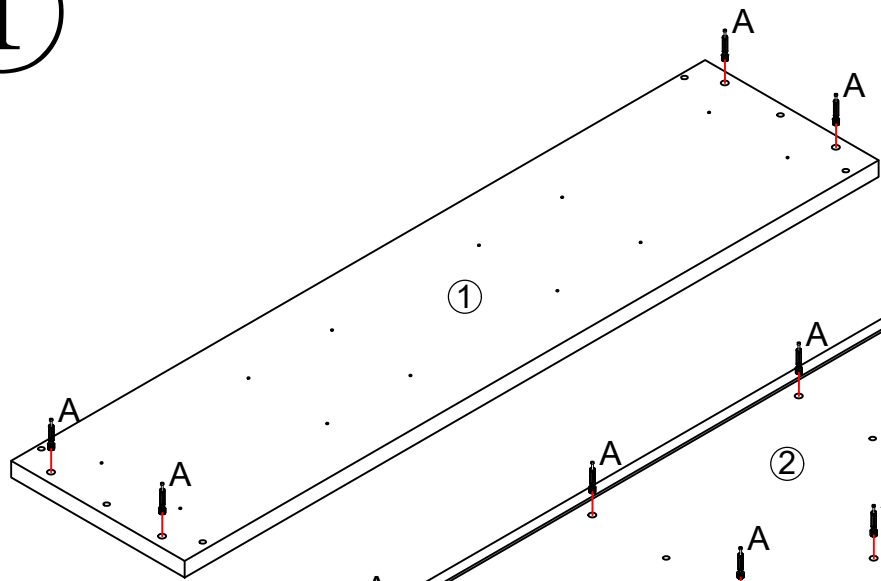



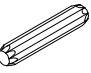

IV



Scan QR code for assembly video

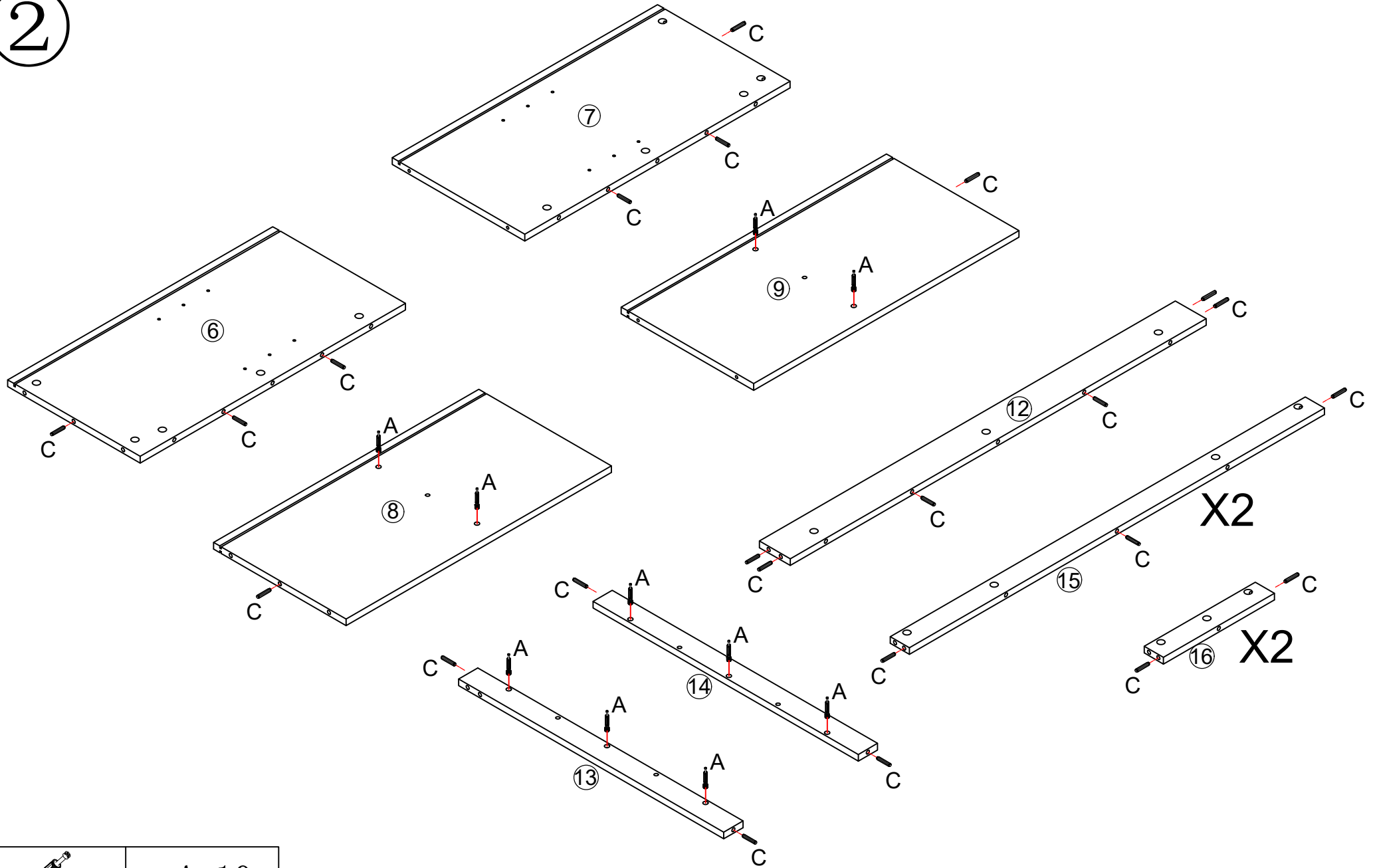
1


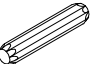


	A*37
	C*12
	G*4

put A on board ①②③⑤  
 put C on board ④⑤⑩

2

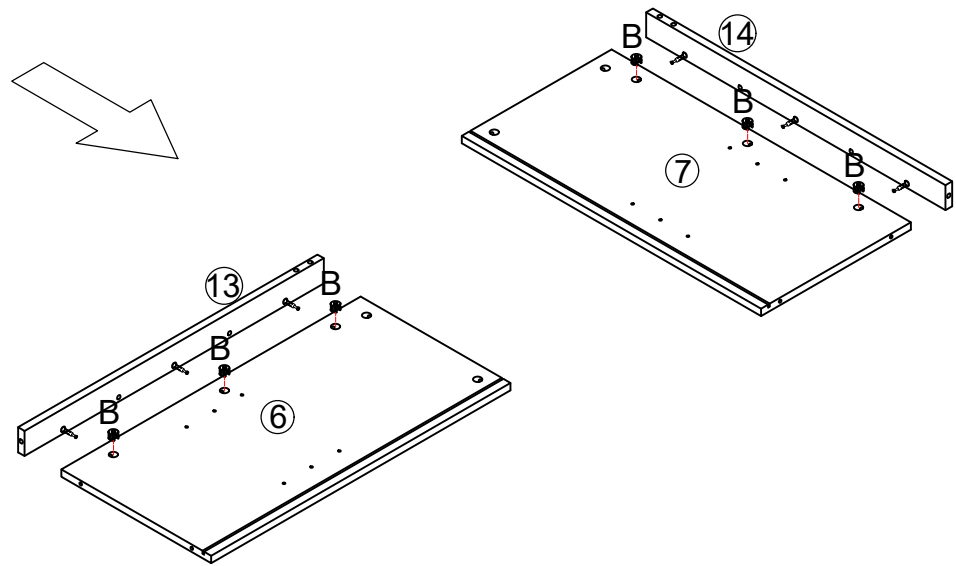
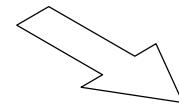
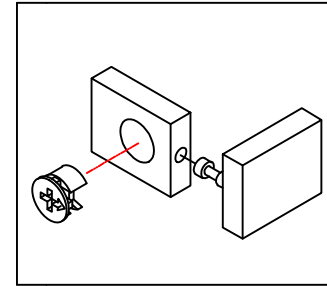
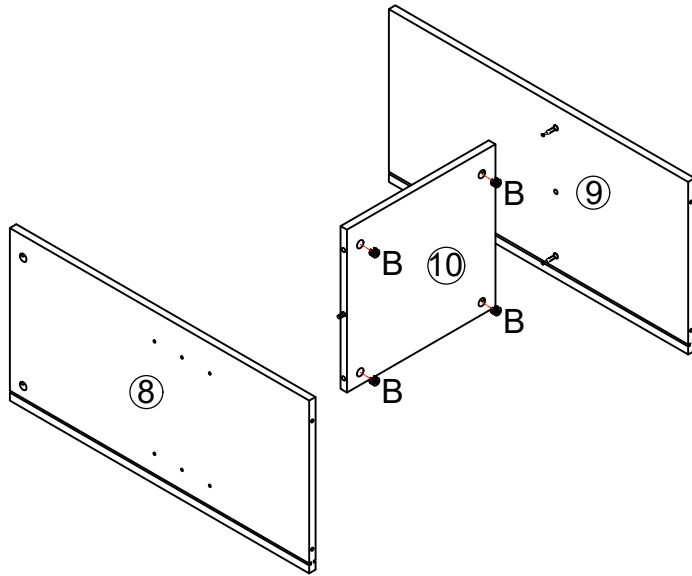


	A*10
	C*28

put A on board ⑧ ⑨ ⑬ ⑭  
put C on board ⑥ ⑦ ⑧ ⑨ ⑫ ⑬ ⑭ ⑮ ⑯

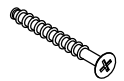
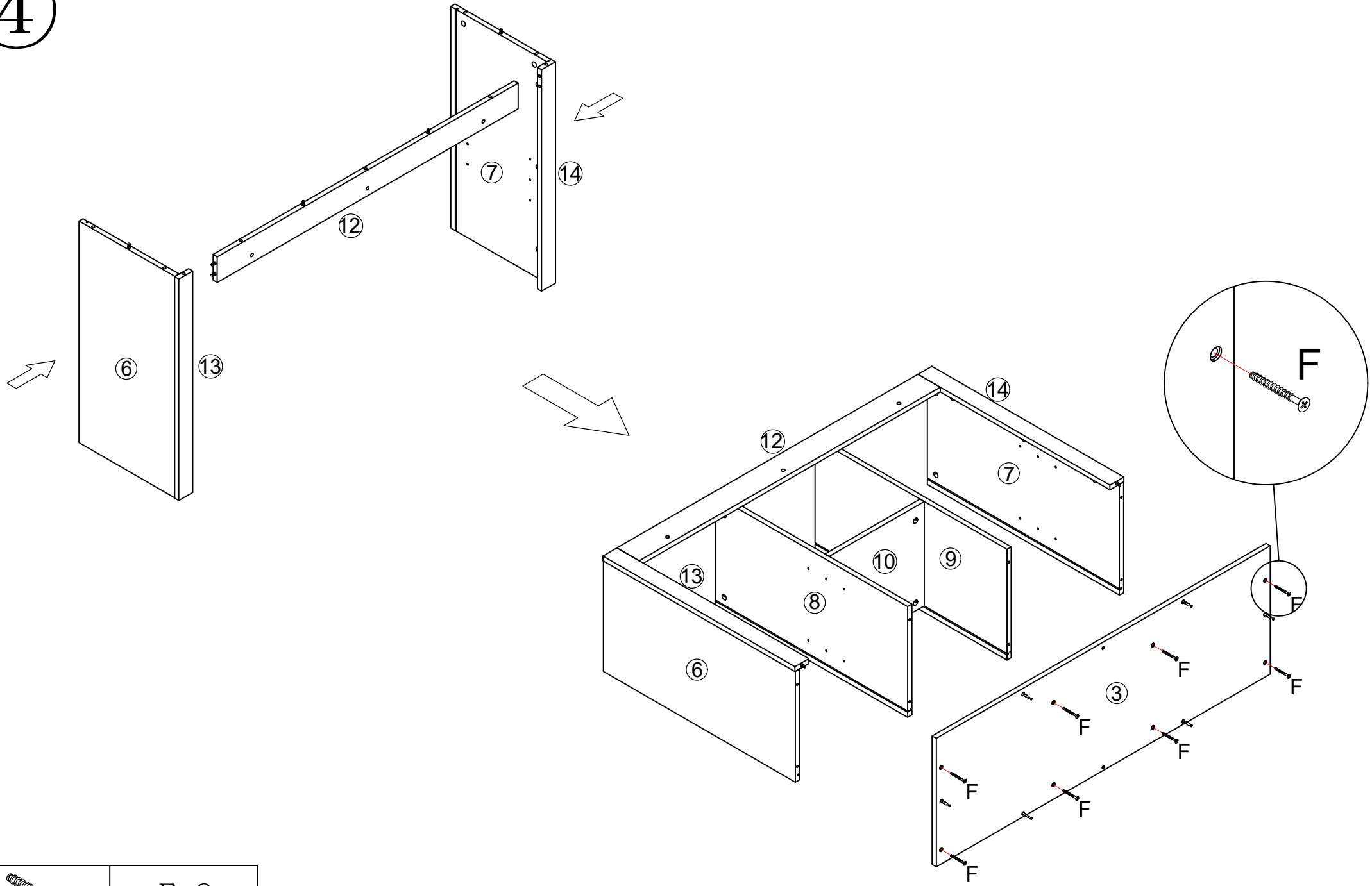
3

Make sure the arrow on the screw align to the hole on the side.



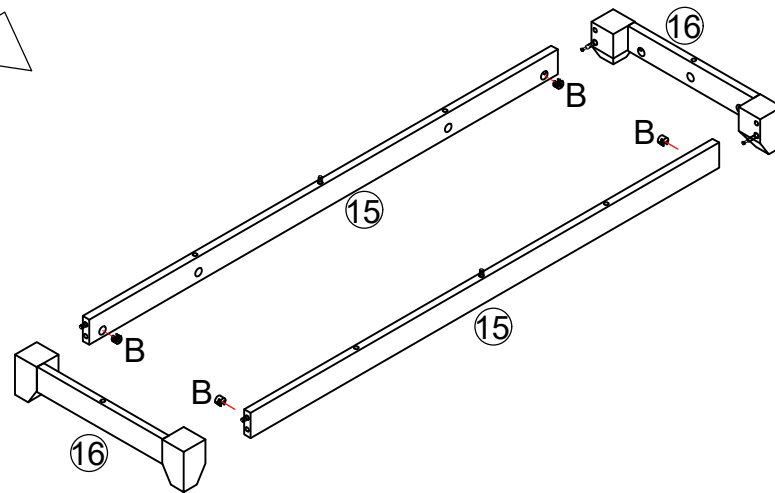
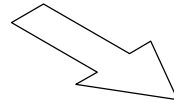
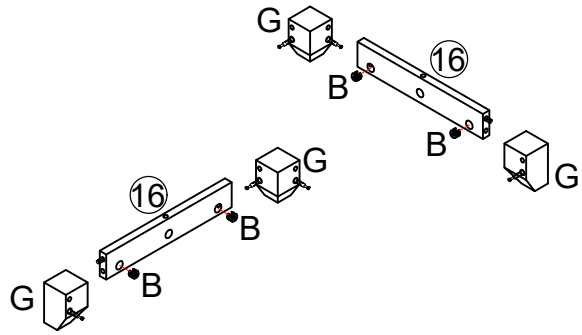
B\*10

4



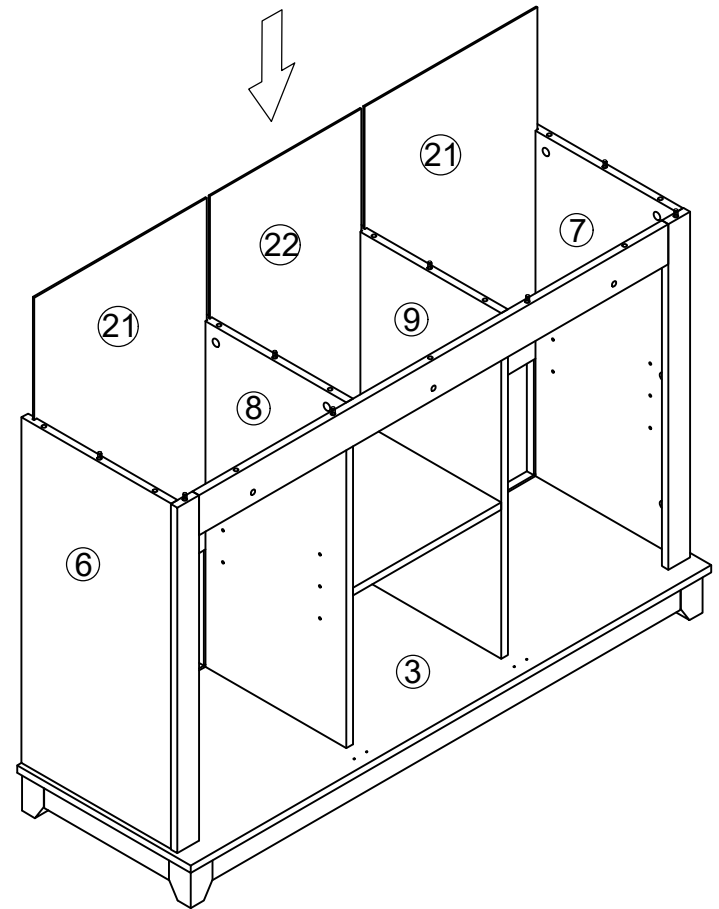
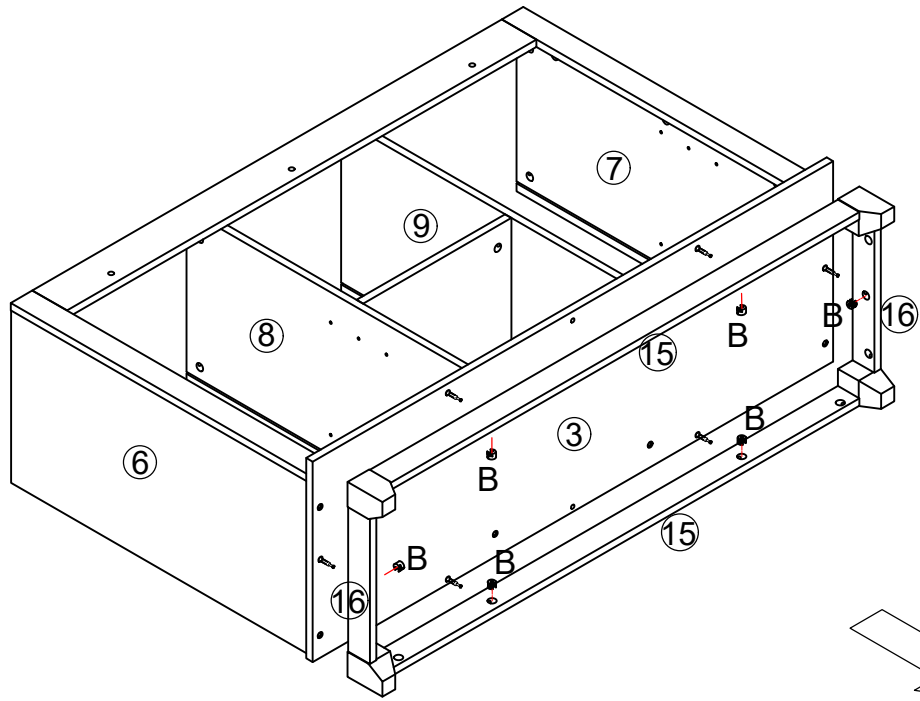
F\*8

5



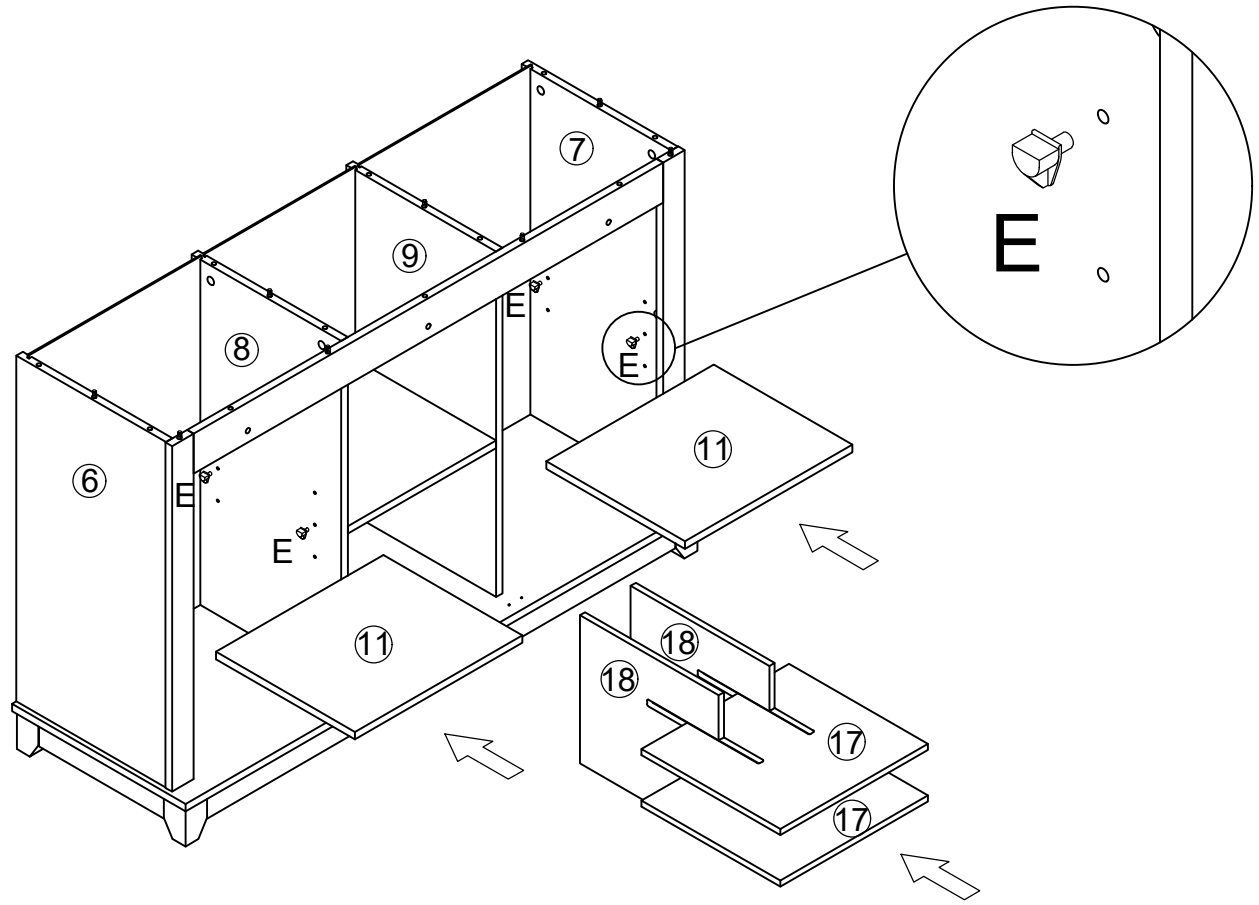
B\*8

6



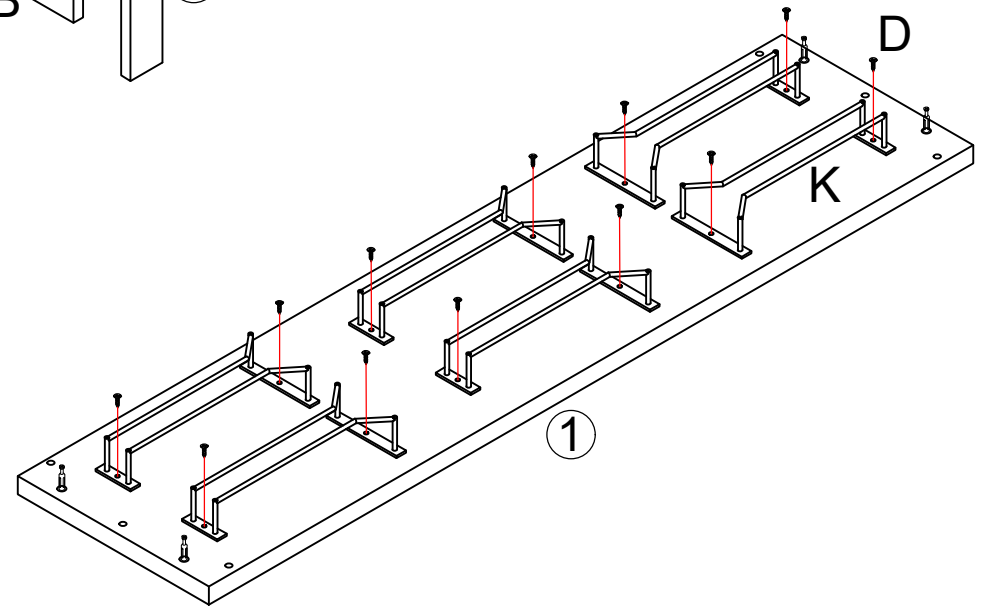
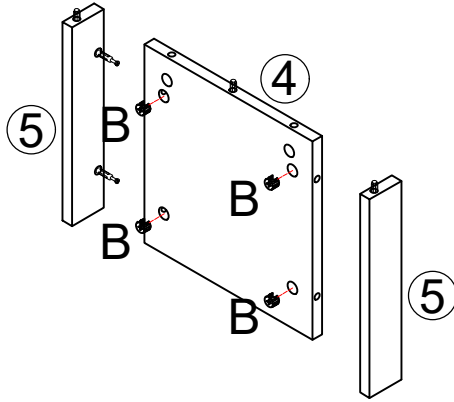
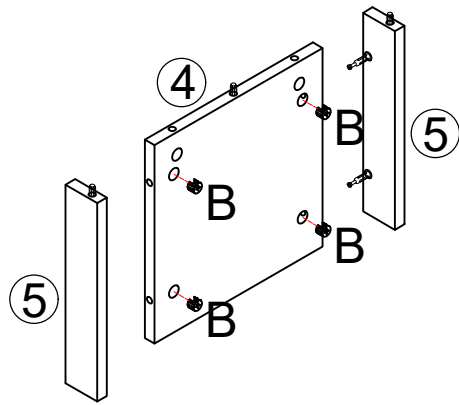
B\*6

7



E\*8

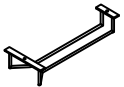
8



B\*8

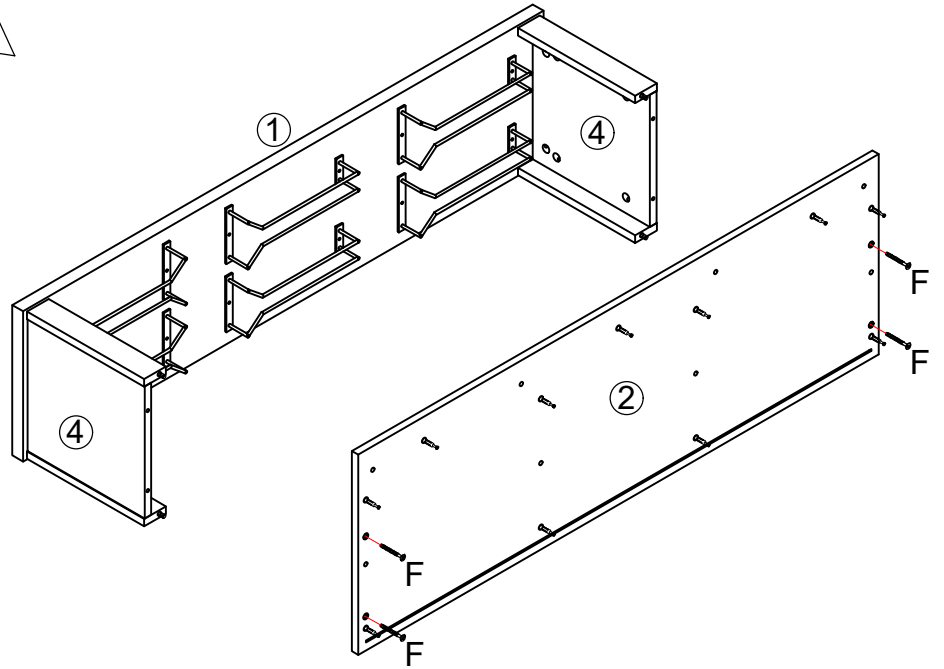
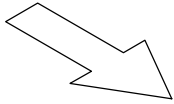
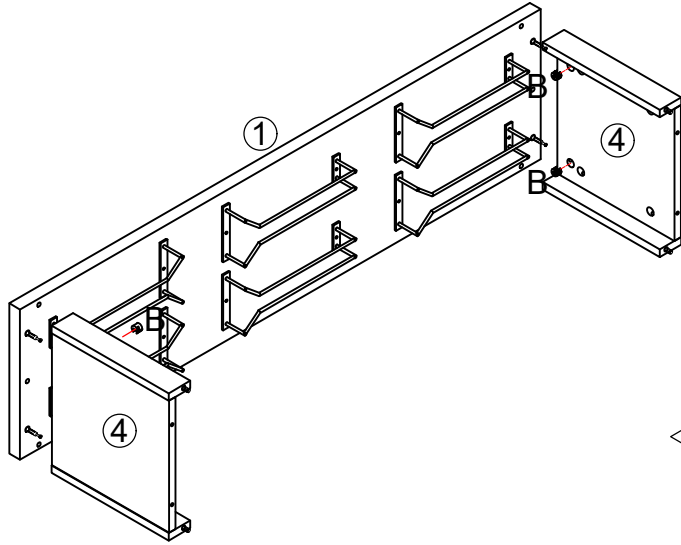


D\*12



K\*6

9

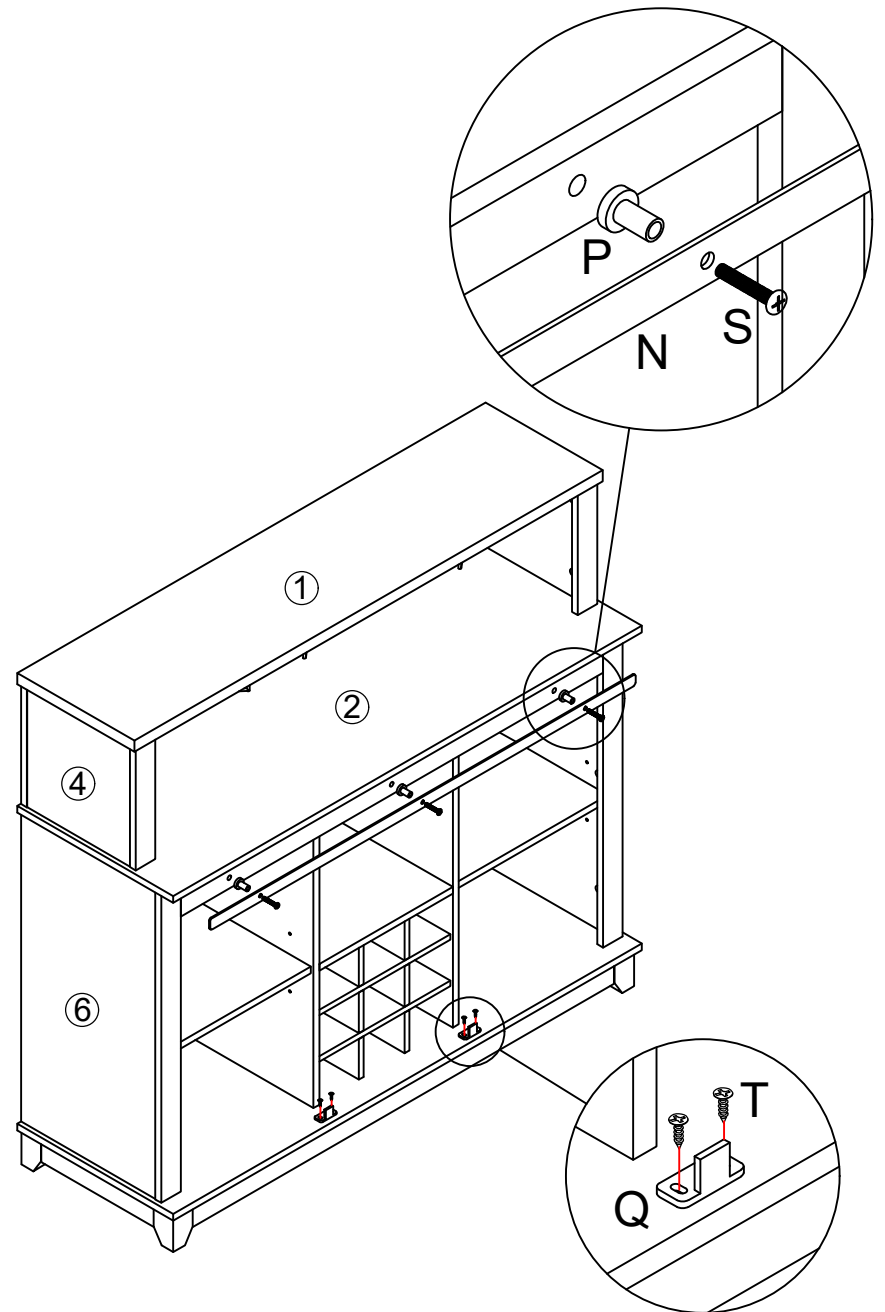
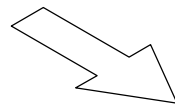
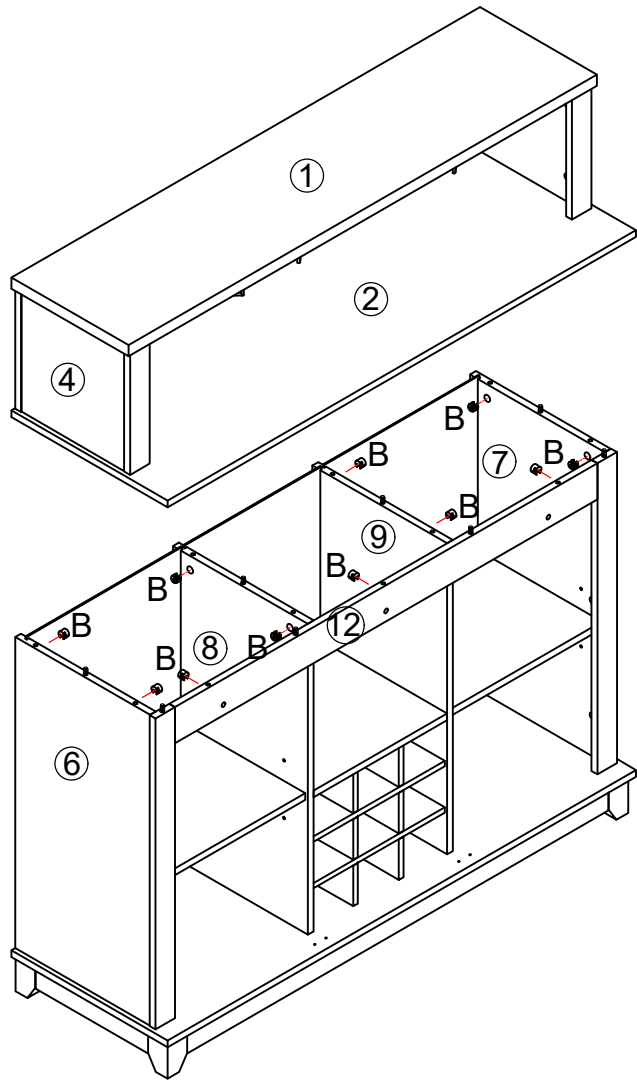








B\*4



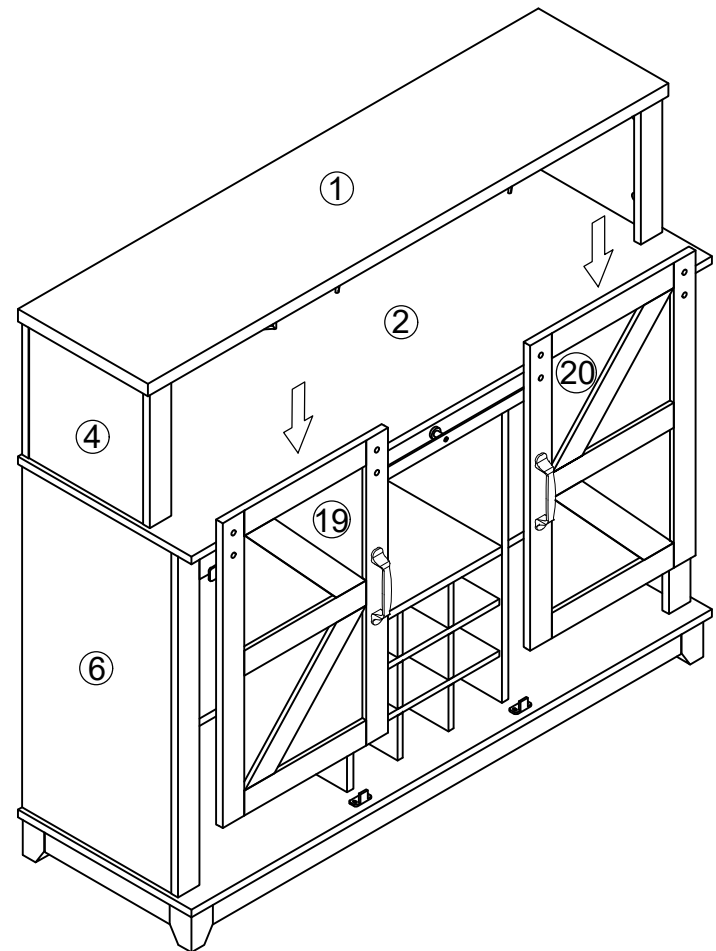
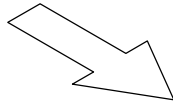
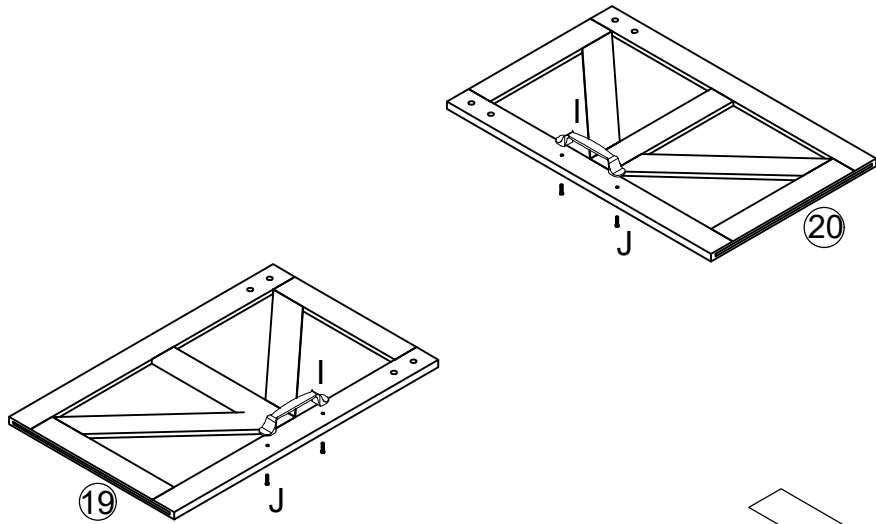
F\*4

10



	B*11		
	N*1		
	P*3		S*3
	Q*2		T*4

11

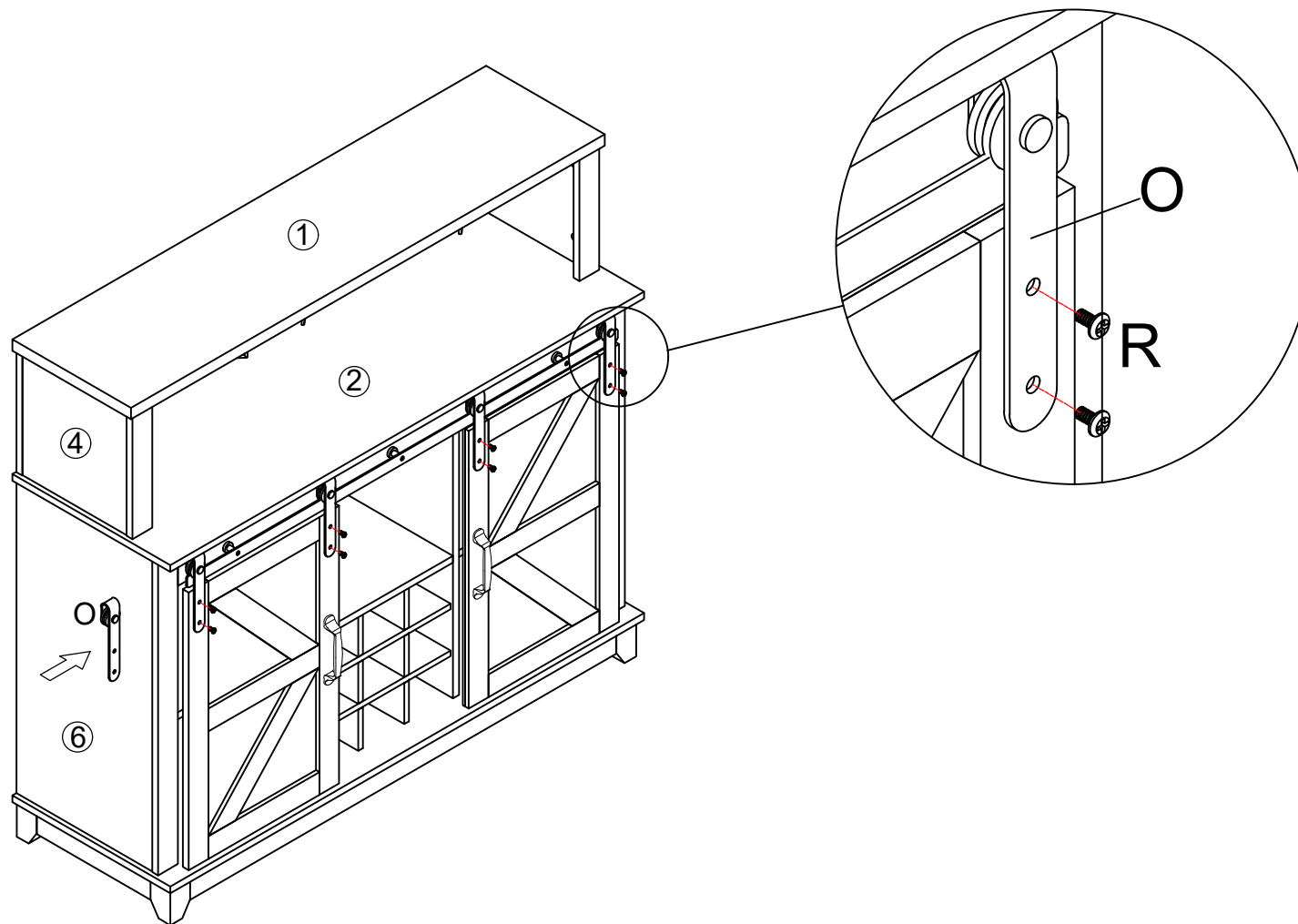


I\*2



J\*4

12

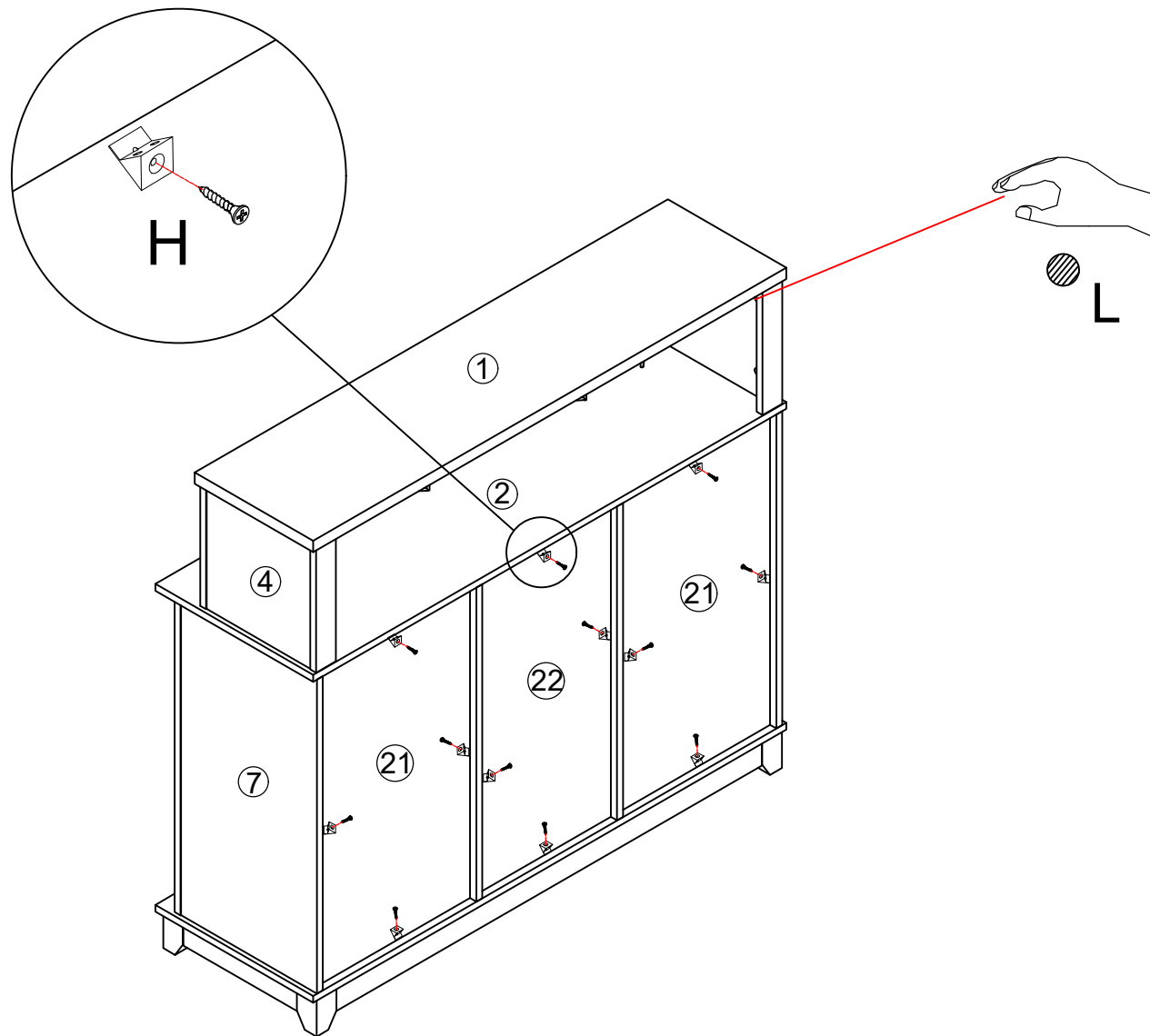


O\*4



R\*8

13

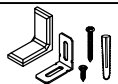
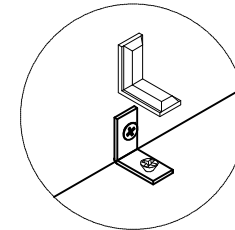
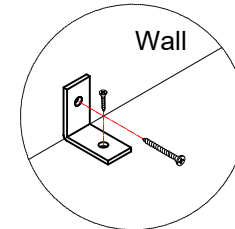
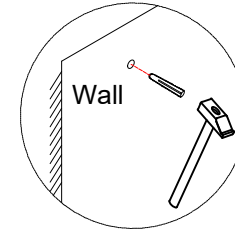
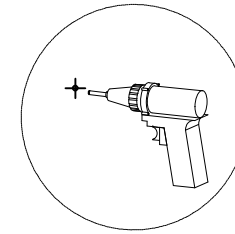
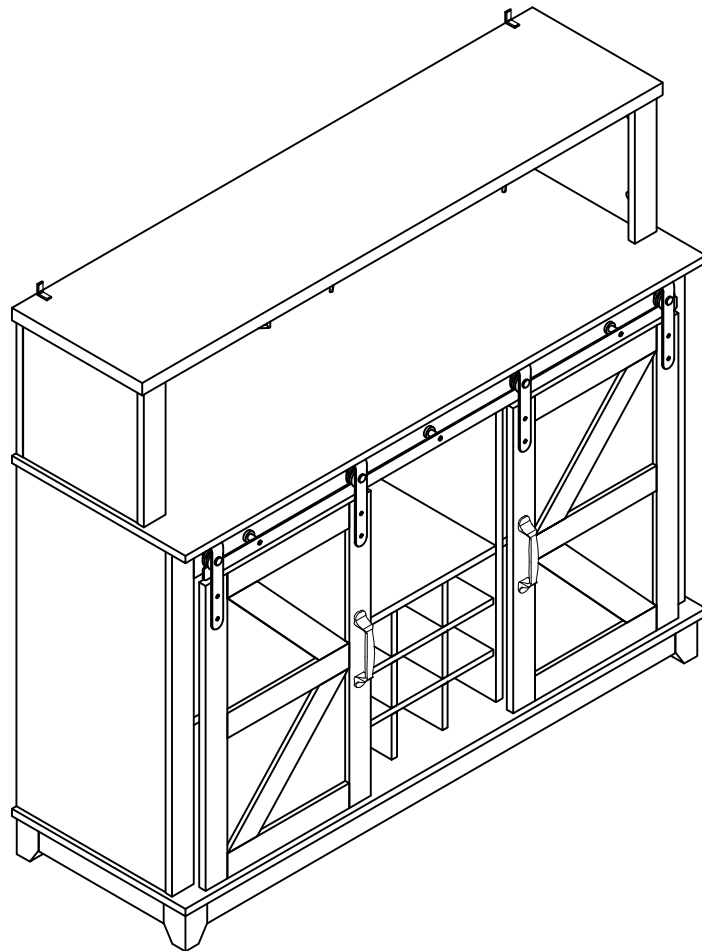


H\*12



L\*12

14



M\*2

Please install tip-proof fitting.