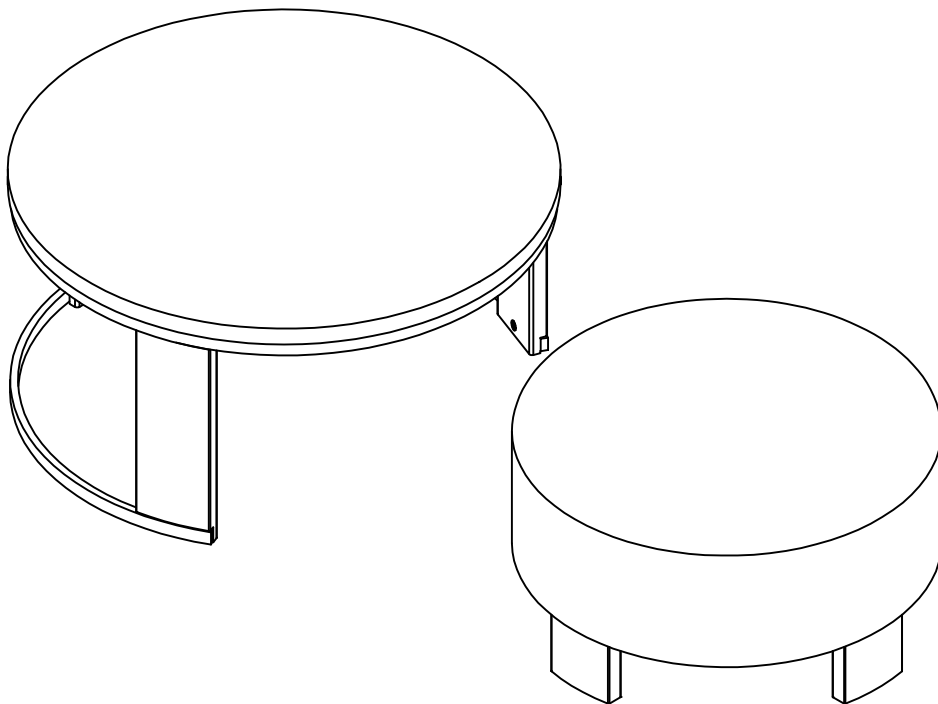


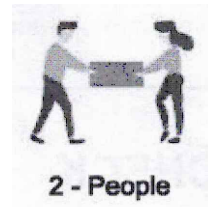
# ASSEMBLY INSTRUCTIONS

---

## TOOLS REQUIRED



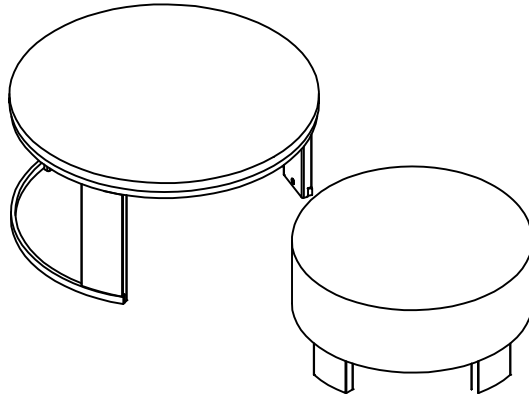
Allen Wrench  
( Included )



Enjoying this product? We'd love your 5-star review!

If you have any issues, our support team are happy to help.

---



## CHECK BEFORE STARTING

### Are you missing anything?

Please double check all hardware and parts match the assembly guide before putting the product together. If damaged, we suggest you put the item back in the box and start your claim or return

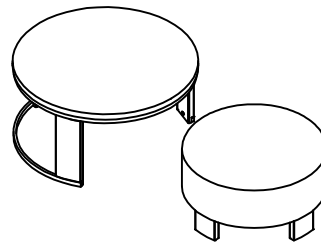
### Should we send any replacements?

If there are any manufacturer defects or missing pieces please contact us for replacements. If purchased online, please contact the website of where you purchased it from, DIRECTLY

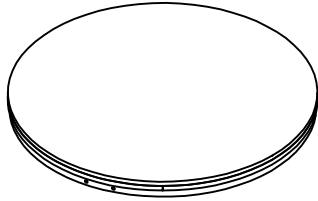
# IMPORTANT INFO before assembly:

- **If there's a problem with the parts do not attempt to assemble the product**
- Place all parts on a clean and smooth surface such as a rug/carpet to avoid parts from being scratched
- When tightening screws to product do not overtighten until product is fully setup
- If product is too heavy for a single person to carry do not attempt and ask for assistance
- DO NOT DRAG or PUSH item to desired location. Must be carried when moving
- If item is not working as intended please review the assembly guide to see if any steps were missed or incorrectly built. If there's a problem with part please contact seller for additional assistance
- Please keep all hardware and small parts away from pets/infants
- Please wear gloves or protective gear to protect from getting cuts
- It is normal for new furniture to have an off gassing smell. Please air out furniture near a window for a few hours or a day before placing it in its desired location
- All products may have a slight color and texture variation due to different shipments, natural materials, screen-resolutions, or lighting in home. Images are rendered by different devices or websites

Please keep instructions for future reference  
Check the quantity and irregularity of parts  
and hardware before you start  
If assembly guide is misplaced, please visit our website for a copy



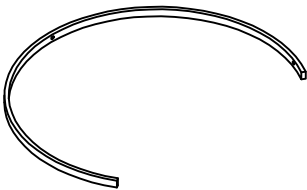
## Part List



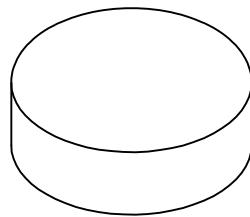
**A.**  
Table top  
1pc.



**B.**  
Long leg  
3pcs.



**C.**  
Bottom metal frame  
1pc.

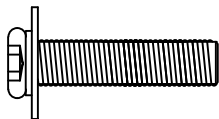


**D.**  
Cushion table  
1pc.

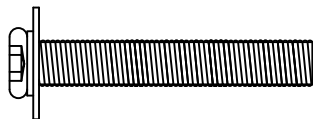


**E.**  
Short leg  
4pcs.

## Hard ware List



5/16 " x 25mm  
Short Bolt  
9pcs.



1/4" x 38mm  
Long Bolt  
8pcs.



4mm  
Hex Wrench  
1pc.

If any parts/hardware listed are damaged or missing  
Please contact the seller for additional assistance

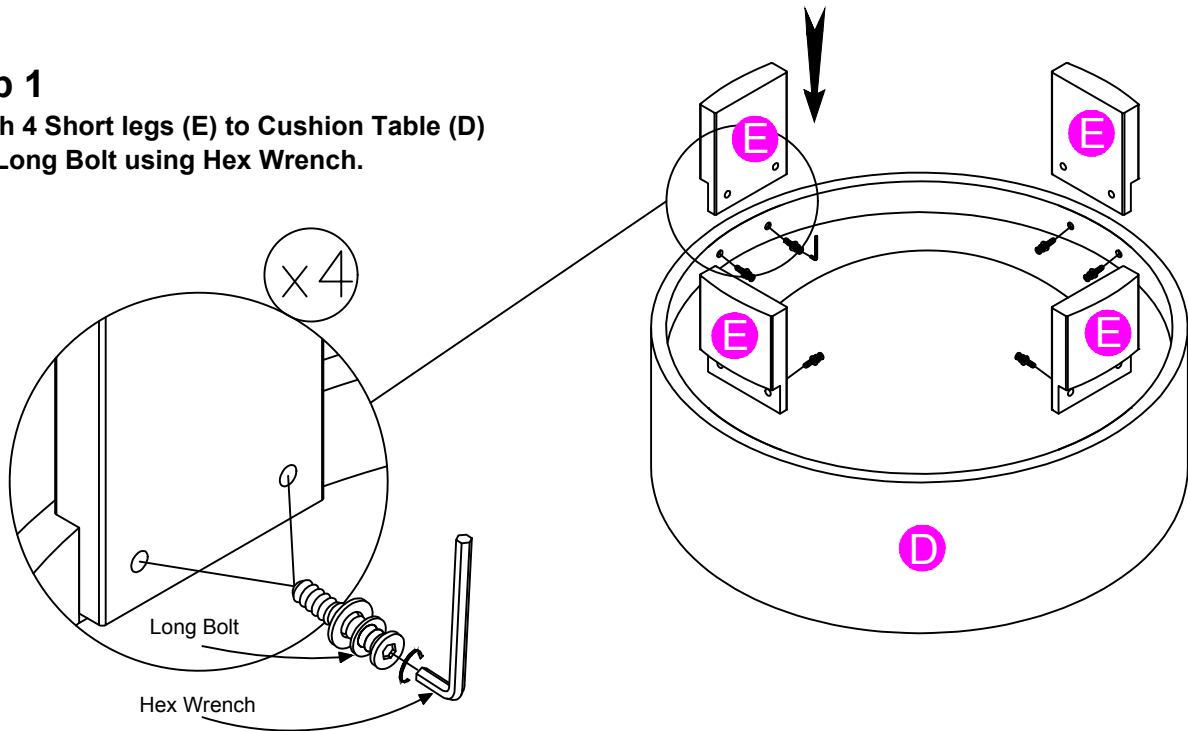
# ASSEMBLY INSTRUCTIONS

## IMPORTANT

\*Please keep Hex Wrench in a safe place as you may need to tighten up the Bolts in the future  
\*Use a soft cloth between these parts and floor.

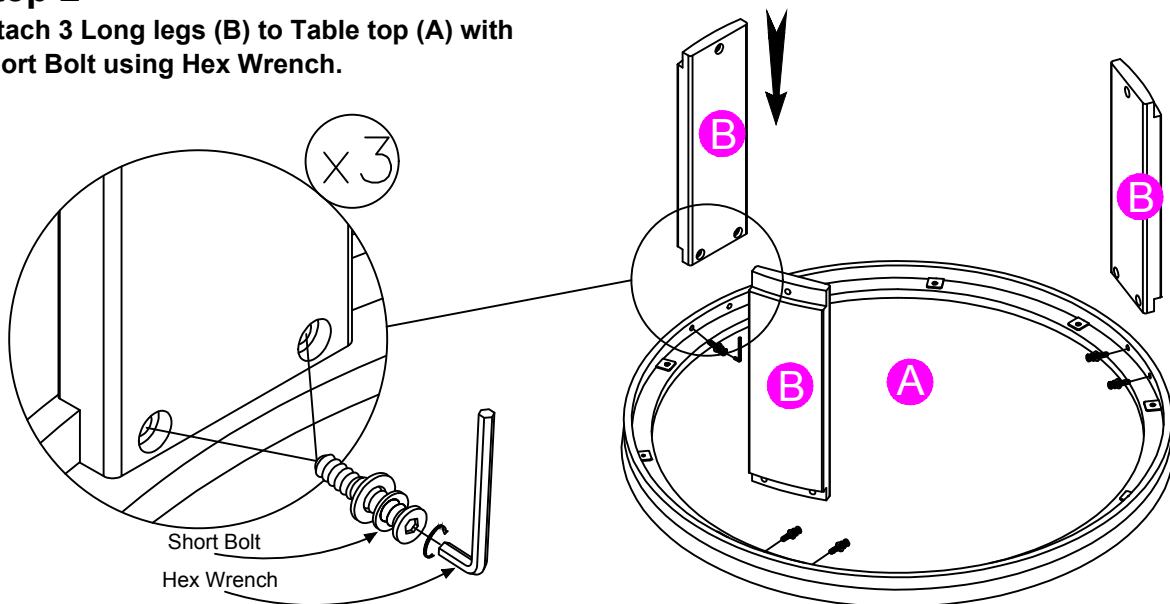
### Step 1

Attach 4 Short legs (E) to Cushion Table (D) with Long Bolt using Hex Wrench.



### Step 2

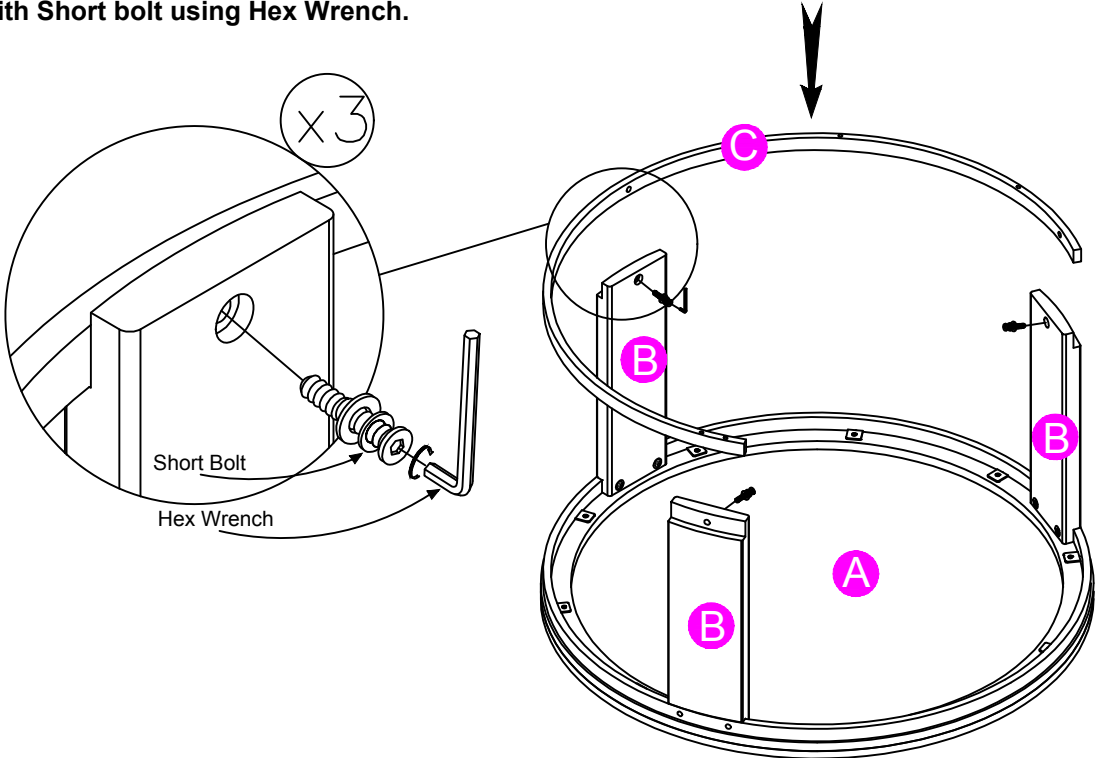
Attach 3 Long legs (B) to Table top (A) with Short Bolt using Hex Wrench.



# ASSEMBLY INSTRUCTIONS

### Step 3

Attach Bottom metal frame (C) to 3 Long legs (B) with Short bolt using Hex Wrench.



### Step 4

Assembly completed.

