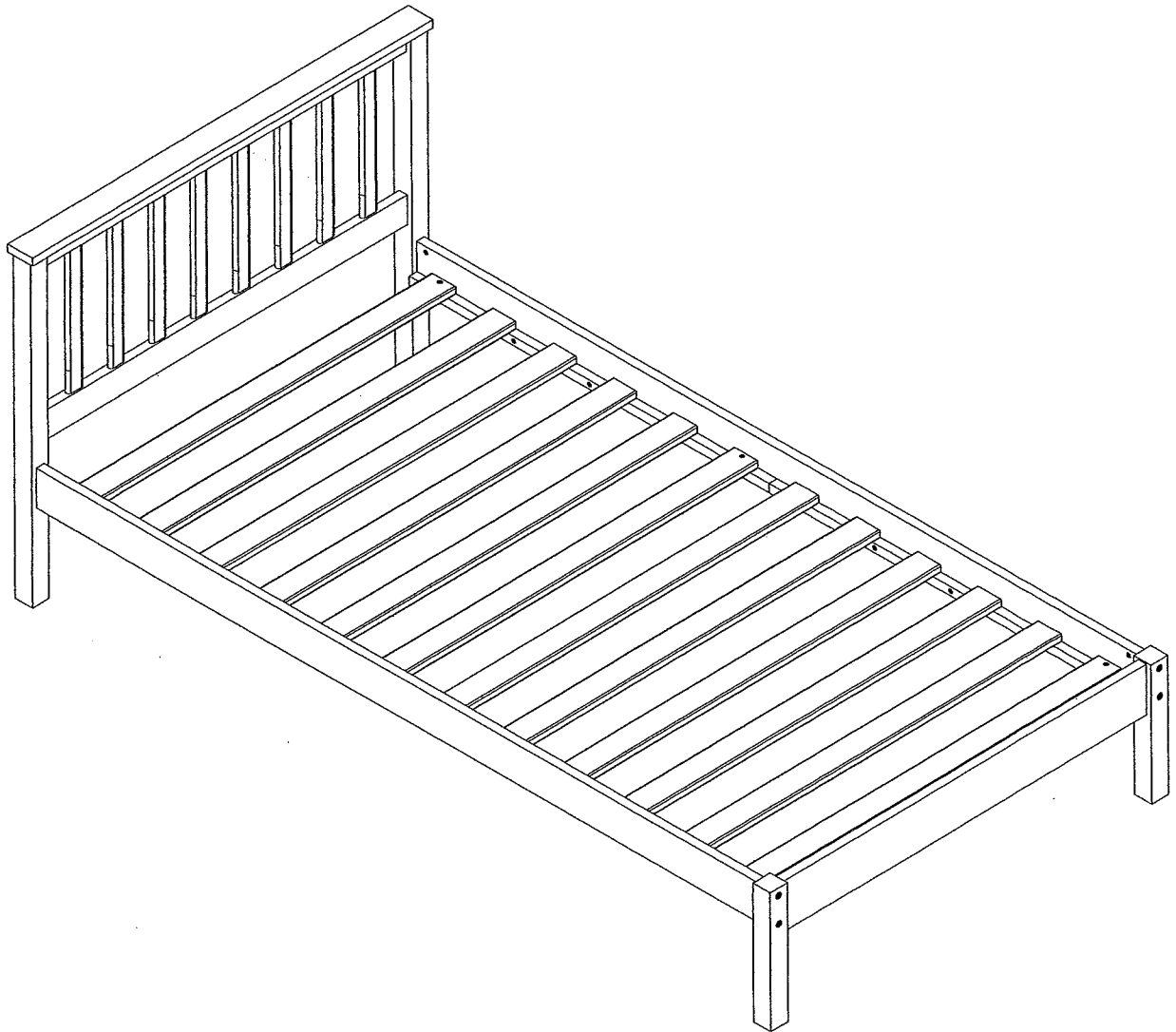
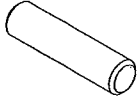
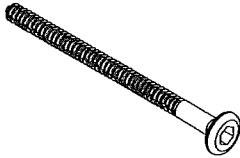


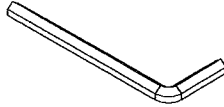


ASSEMBLY INSTRUCTION

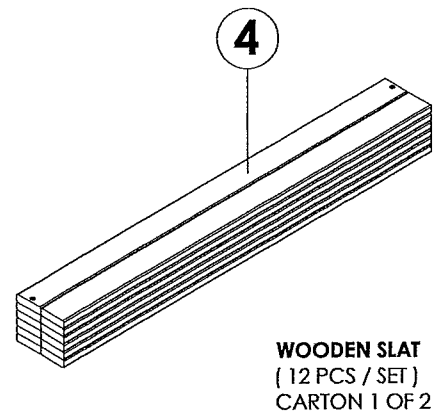
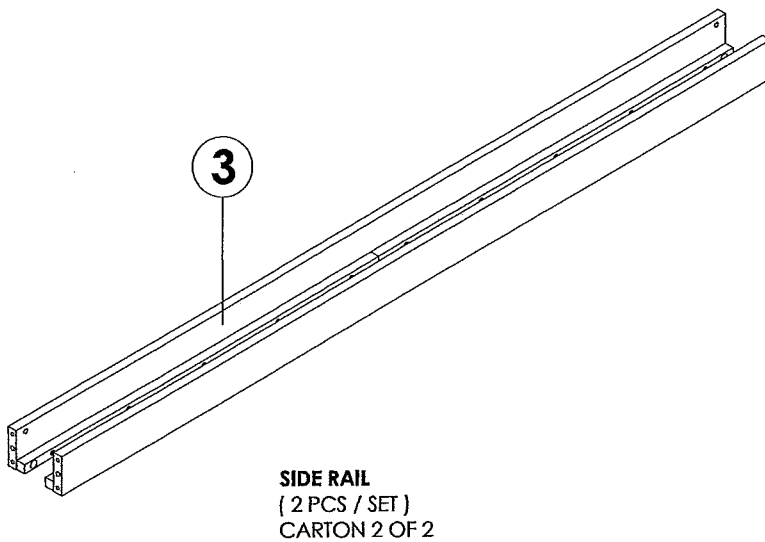
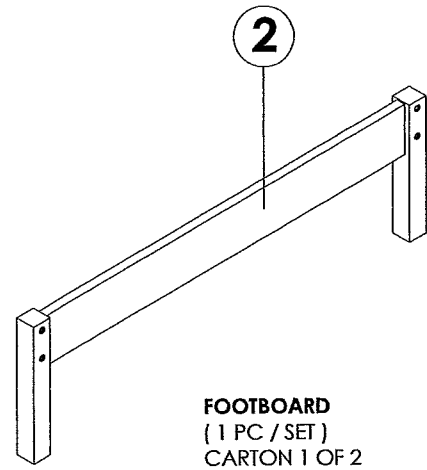
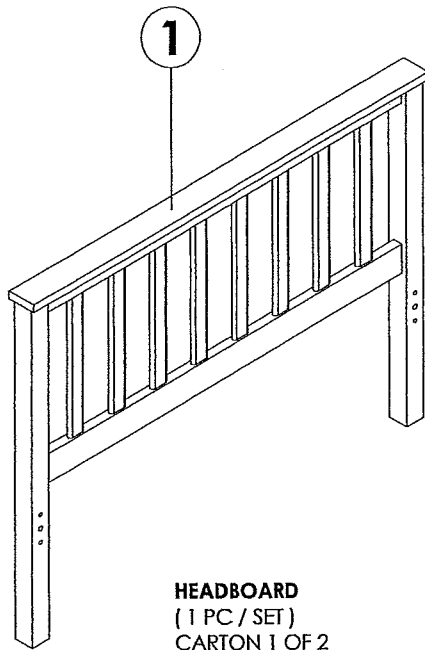
TWIN BED (990 x 1905)MM

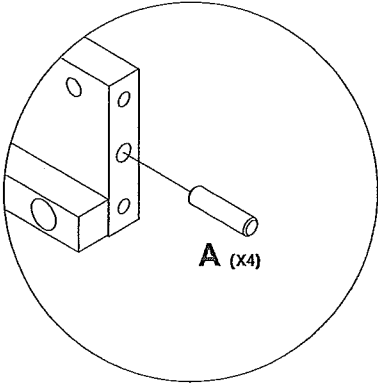
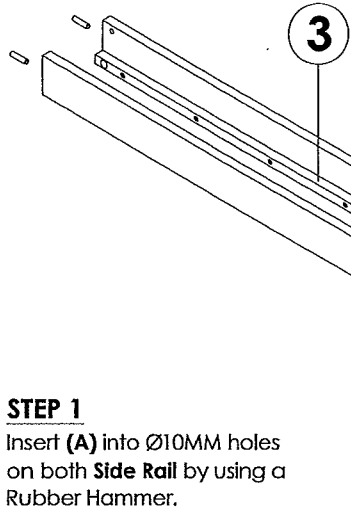


HARDWARE LIST

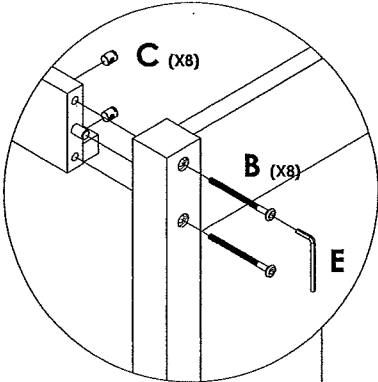
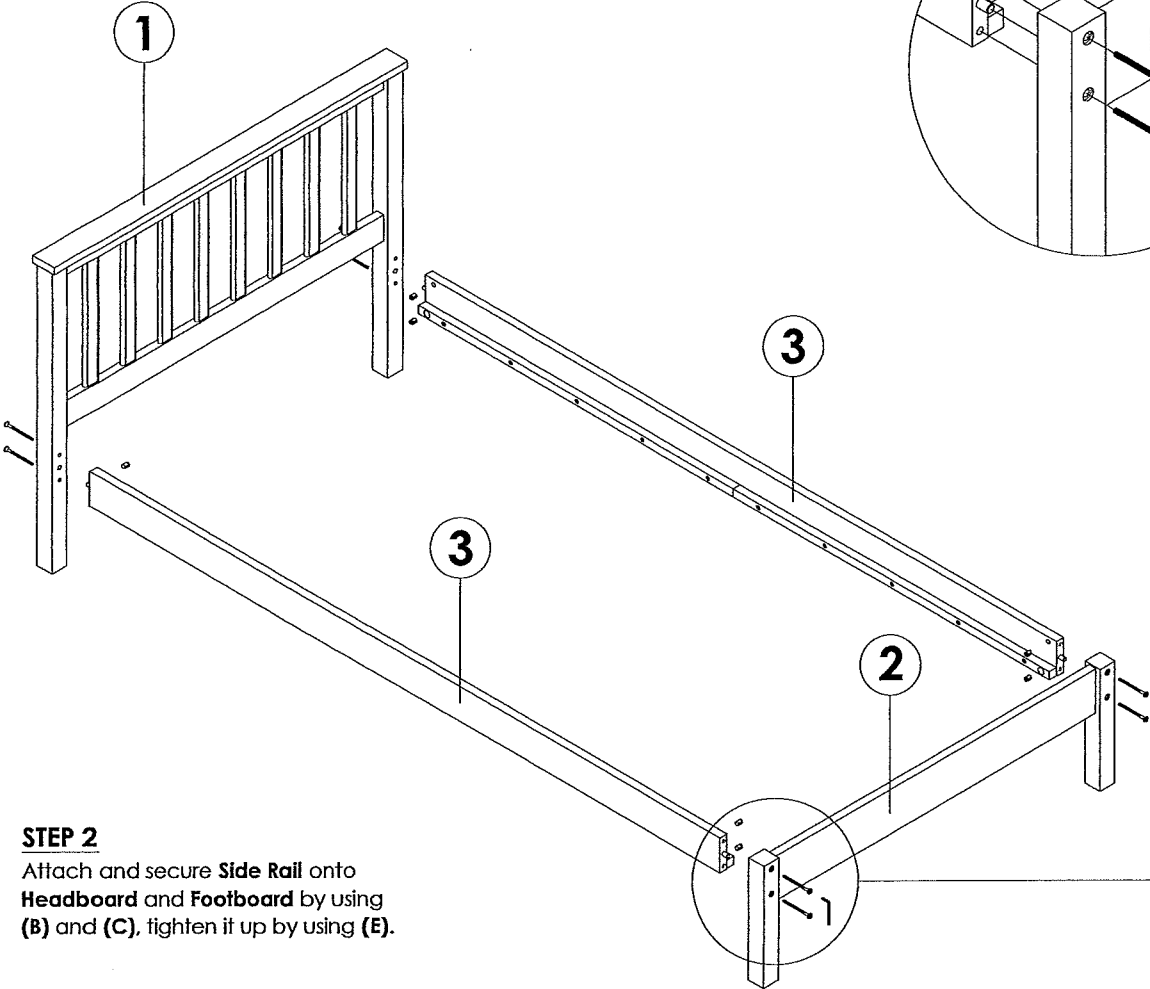
A  PLASTIC DOWEL (M10 x 35MM)	B  JCBC BOLT (M6 x 80MM)	C  JRN NUT (M6 x 13MM)
D  CSK C/B SCREW (M4 x 32MM)	E  ALLEN KEY (M4 x 60MM)	Tools Required : Crosshead Screw Driver Rubber Hammer

PART LIST

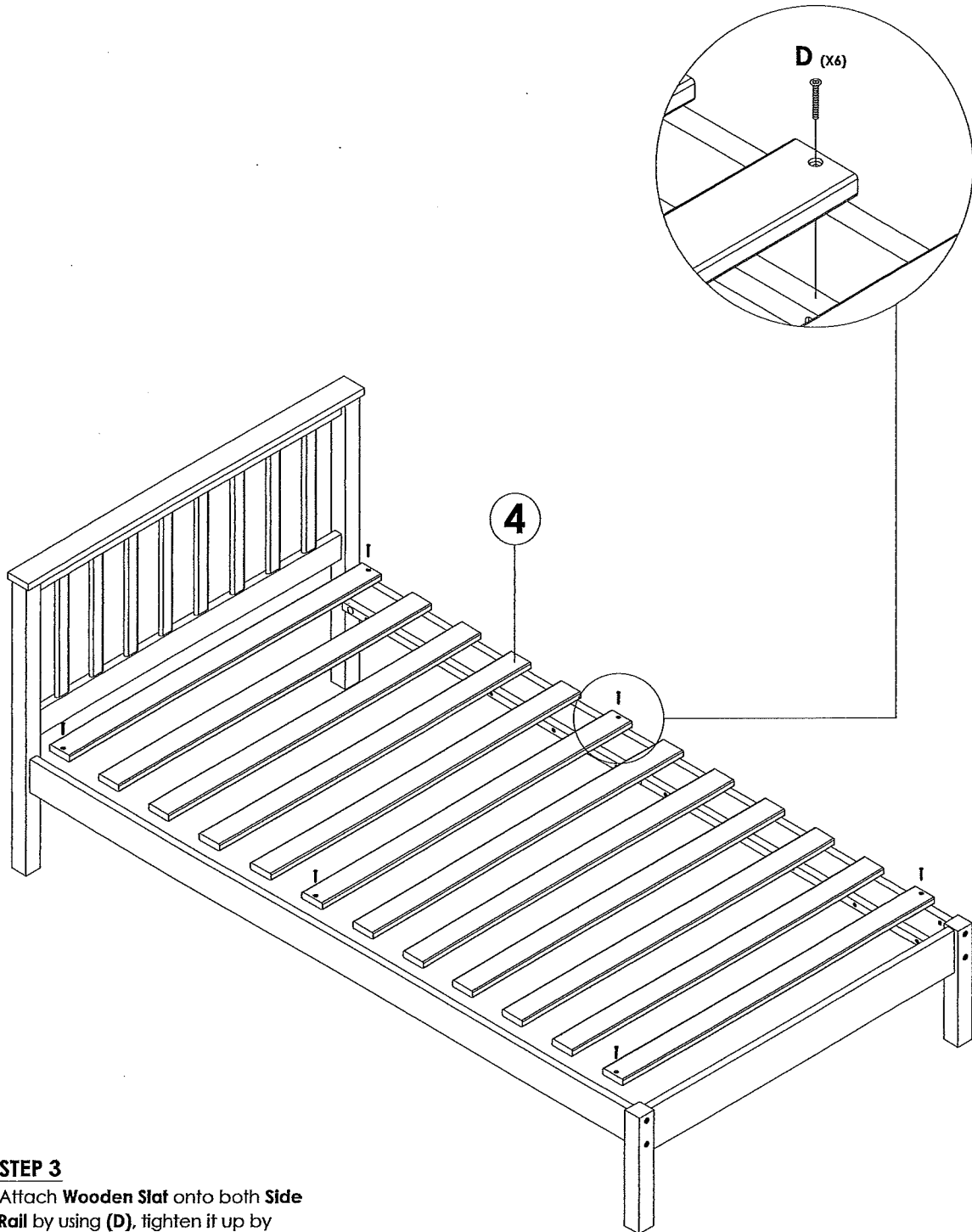




STEP 1
 Insert **(A)** into Ø10MM holes on both **Side Rail** by using a Rubber Hammer.



STEP 2
 Attach and secure **Side Rail** onto **Headboard** and **Footboard** by using **(B)** and **(C)**, tighten it up by using **(E)**.



STEP 3

Attach **Wooden Slat** onto both **Side Rail** by using **(D)**, tighten it up by using a Crosshead Screw Driver. Go on to complete the assembly.