

INSTRUCTION MANUAL ENCLOSED

ATTENTION

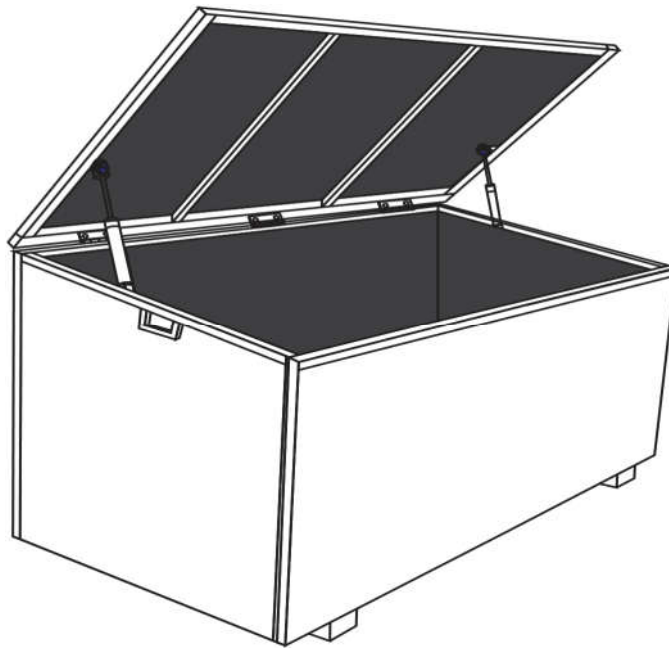
**IF YOU HAVE ANY PROBLEMS OR QUESTIONS, EMAIL OR CALL
CUSTOMER SERVICE BEFORE YOU RETURN THIS PRODUCT TO THE
STORE WHERE IT WAS PURCHASED.**

****When emailing Customer Service, please include your **Order Number** and **platform of purchase** in the email subject for quicker assistance.**

INSTRUCTION MANUAL ENCLOSED

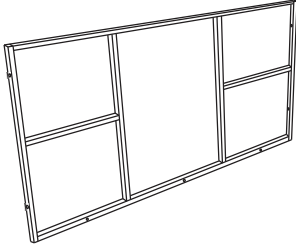
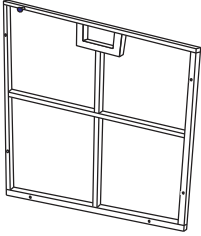
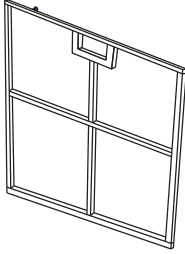
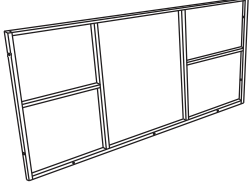
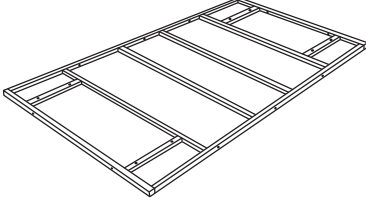
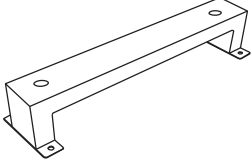
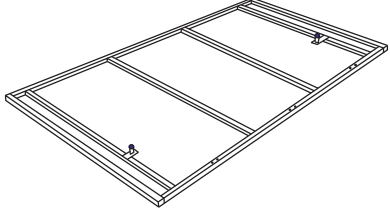
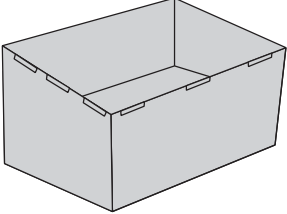
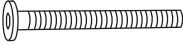
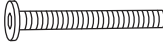
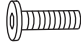

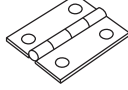
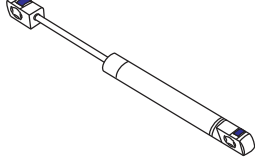
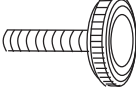

CUSHION BOX

CUSHION BOX ASSEMBLY INSTRUCTION



PARTS LIST

Part	Description	Quantity
<i>PARTS</i>		
A	Back Frame	1
B	Side Frame - Right	1
C	Side Frame - Left	1
D	Front Frame	1
E	Bottom	1
F	Base	2
G	Cover	1
H	Canvas	1
<i>HARDWARE</i>		
I	Bolt M6x35 mm	12
J	Bolt M6x25mm	6
K	Bolt M6x15 mm	20
L	Metal Washer	38
M	Hinge	3
N	Gas Spring	2
O	Foot Plug	4
P	Allen Key	2

 <p>Ax1</p>	 <p>Bx1</p>	 <p>Cx1</p>
 <p>Dx1</p>	 <p>Ex1</p>	 <p>Fx2</p>
 <p>Gx1</p>	 <p>Hx1</p>	
<p>Ix12</p>  <p>M6x35mm</p>	<p>Jx6</p>  <p>M6x25mm</p>	<p>Kx20</p>  <p>M6x15mm</p>
<p>Lx38</p>  <p>M2x6x16</p>	<p>Mx3</p>  <p>M2x37x62</p>	<p>Nx2</p> 
<p>Ox4</p>  <p>M6</p>	<p>Px2</p>  <p>M4</p>	

PLEASE READ AND FOLLOW ALL SAFETY TIPS

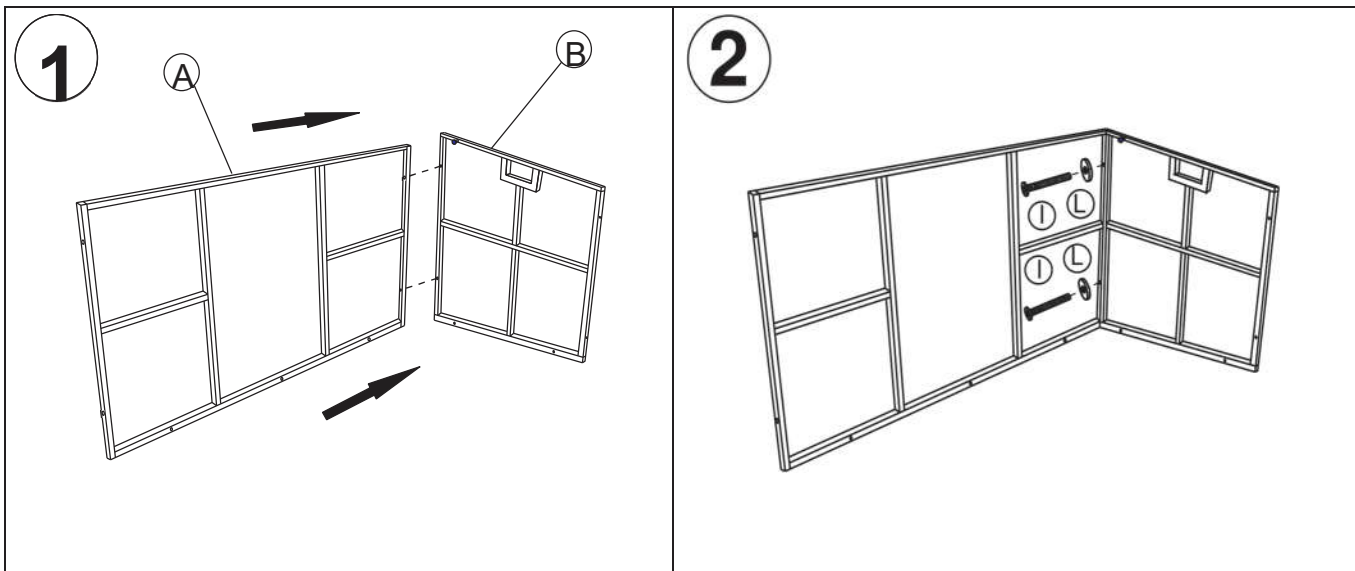
GETTING STARTED

1. Before assembly, CAREFULLY use scissors or utility knife to cut and unwrap all parts. Make sure you do not discard the hardware.
2. Make sure that you have all the parts listed.

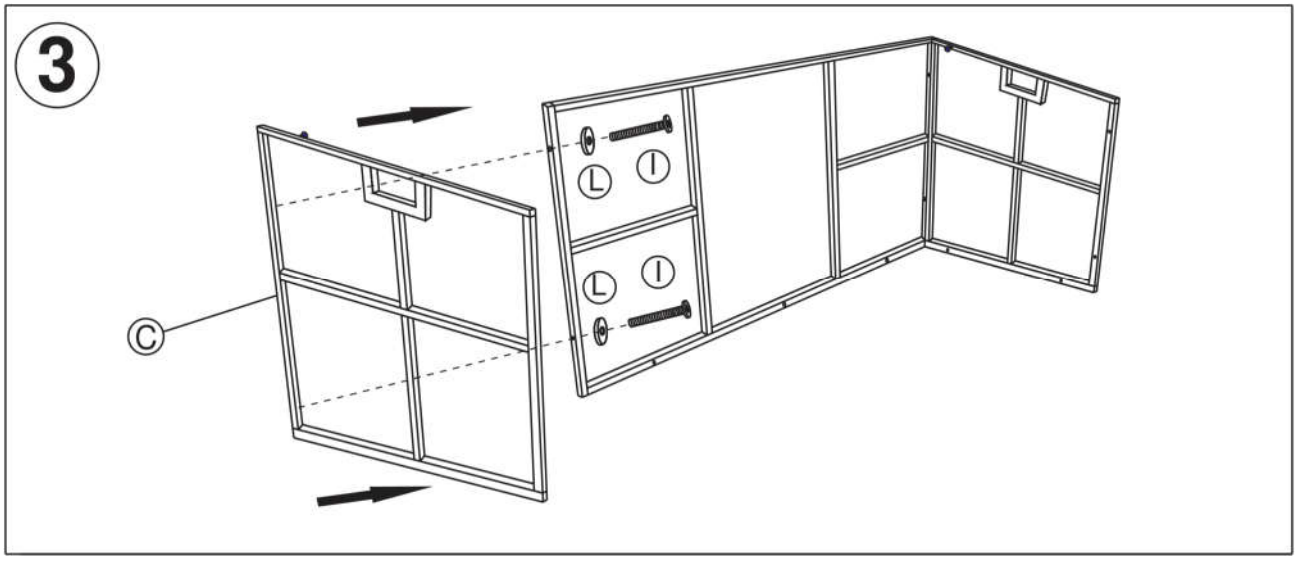
Warm Tips:

1. The plastic covers on some metal parts are just for product protection. Please remove it before assembly.
2. Please follow the sequence of AI during assembly.
3. Do not tighten the screws until all of them are in right positions.

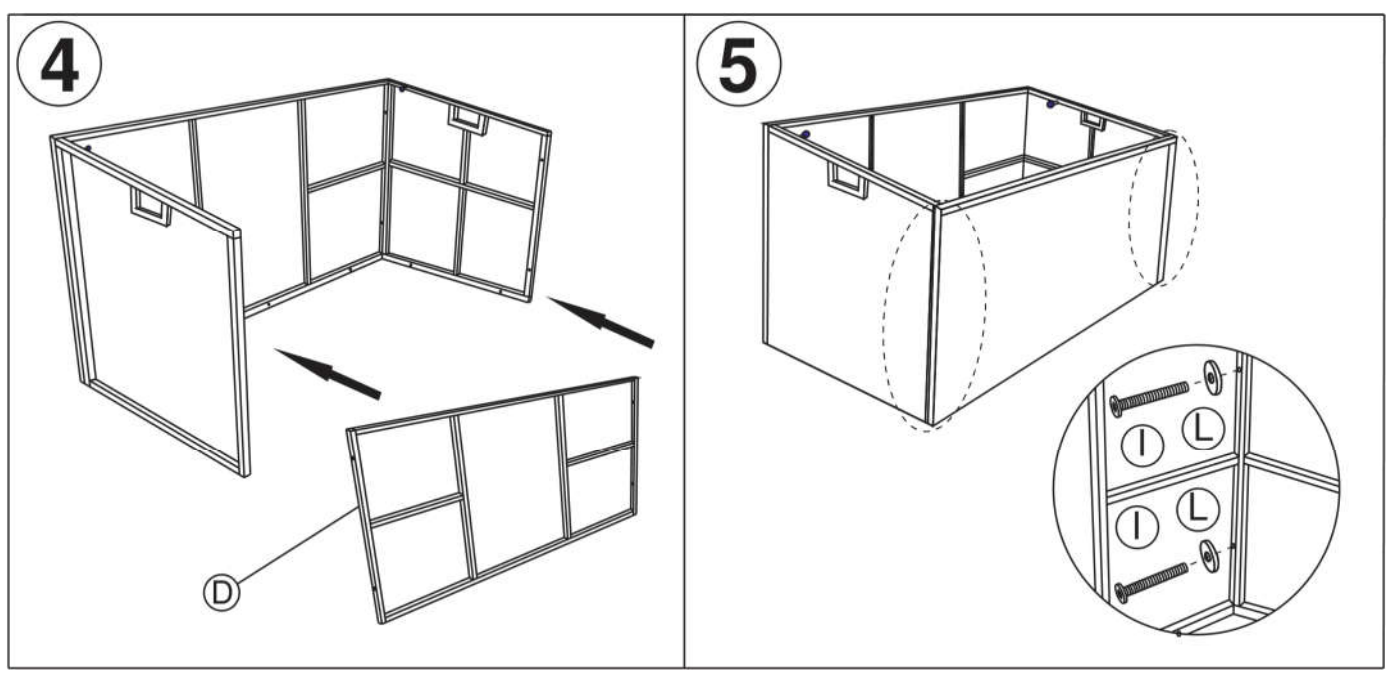
1. Position Back Frame (A) and the Side Frame-Right (B) by the pre-drilled threads. Use Allen Key (P) to fasten Bolts (I) with Washers (L). It should have 2 bolts fastened. (Photo 1&2), Do not tighten bolts.



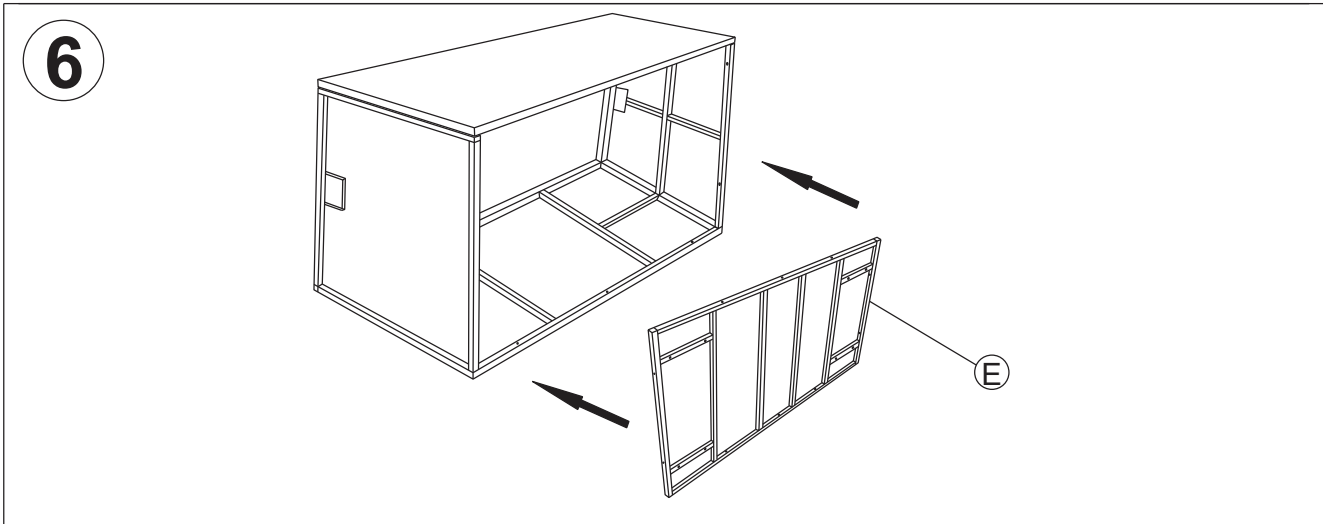
2. Position frame (2) and the Side Frame-Left (C) by the pre-drilled threads. Use Allen Key (P) to fasten Bolts (I) with Washers (L). It should have 2 bolts fastened. (Photo 3), Do not tighten bolts.



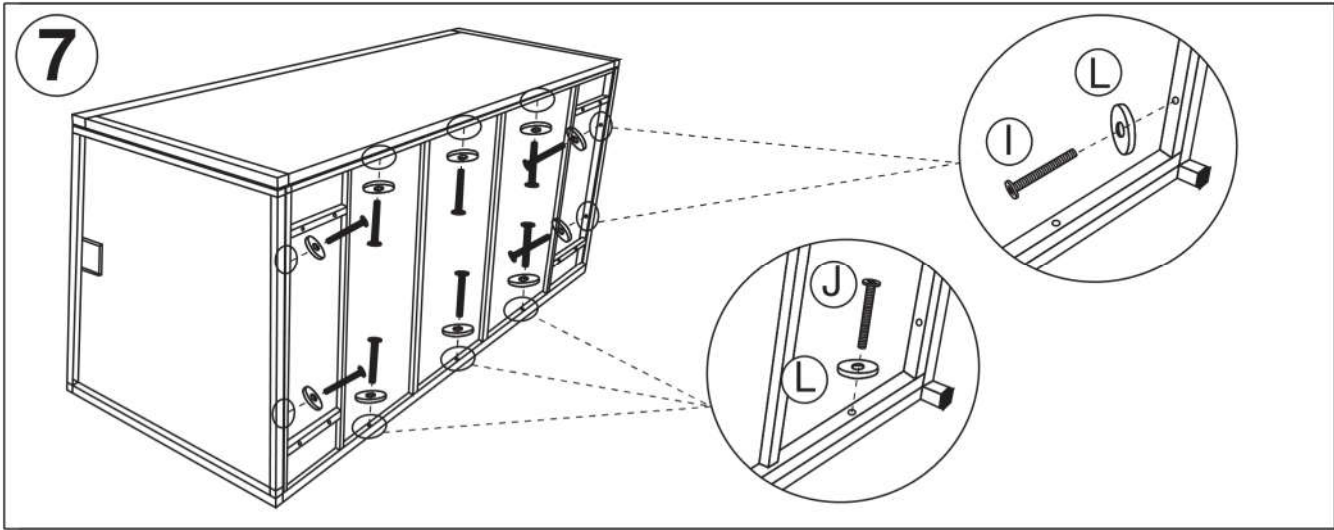
3. Align Front Frame (D) to frame (3) by the pre-drilled threads. Use Allen Key (P) to fasten Bolts (I) with Washers (L). Each side should have 2 bolts fastened. Total 4 bolts required. (Photo 4&5), Do not tighten bolts.



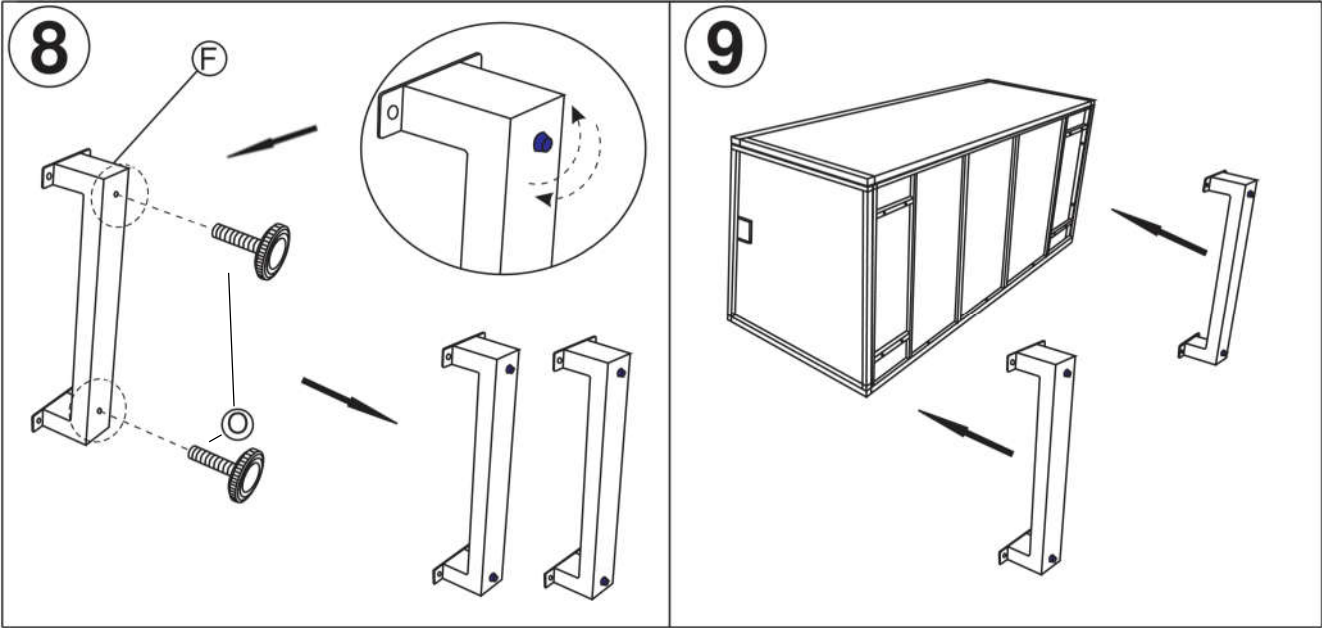
4.Plug Bottom (E) onto the frame body (5) (photo 6). Do not tighten bolts.



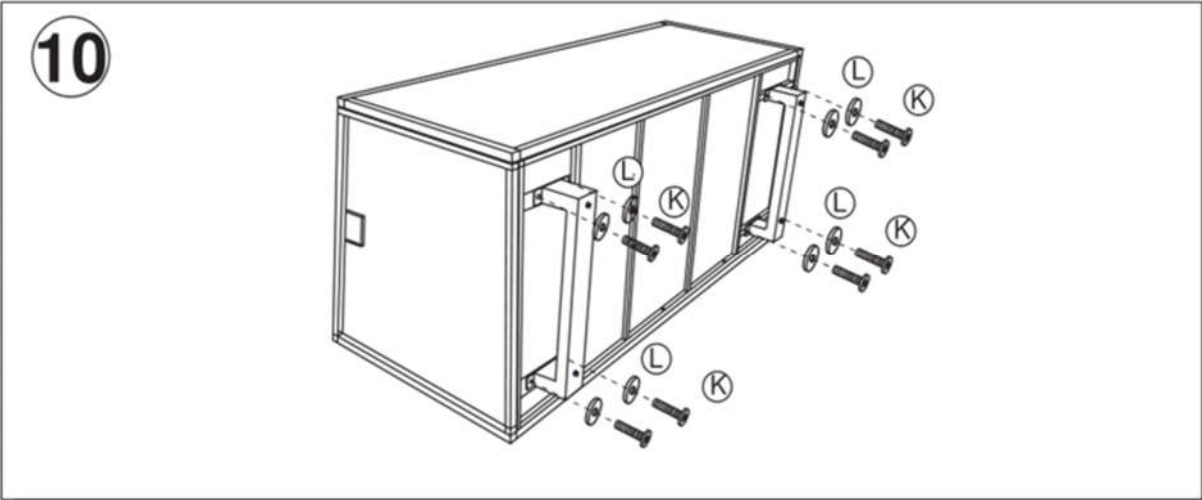
5. Use Allen Key (P) to fasten Bolts with Washers (L). Long side should have 6 Bolts (J) fastened and the short side should have 4 Bolts (I) fastened. (Photo 6). Do not tighten bolts.



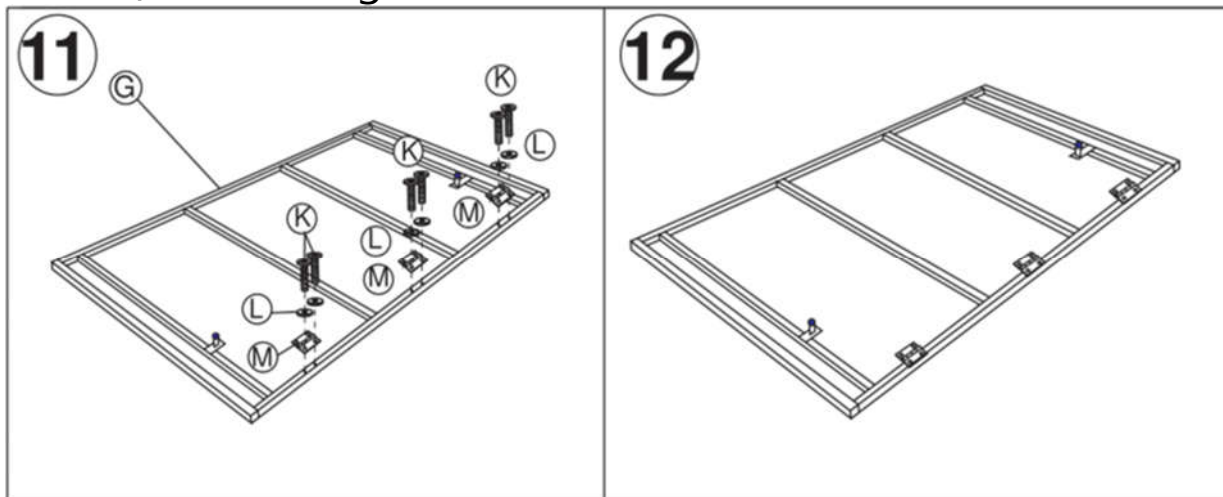
6. Twist Foot Plug (O) to the Base (F). Position the bases (F) and frame body by the pre-drilled threads. (photo 8&9)



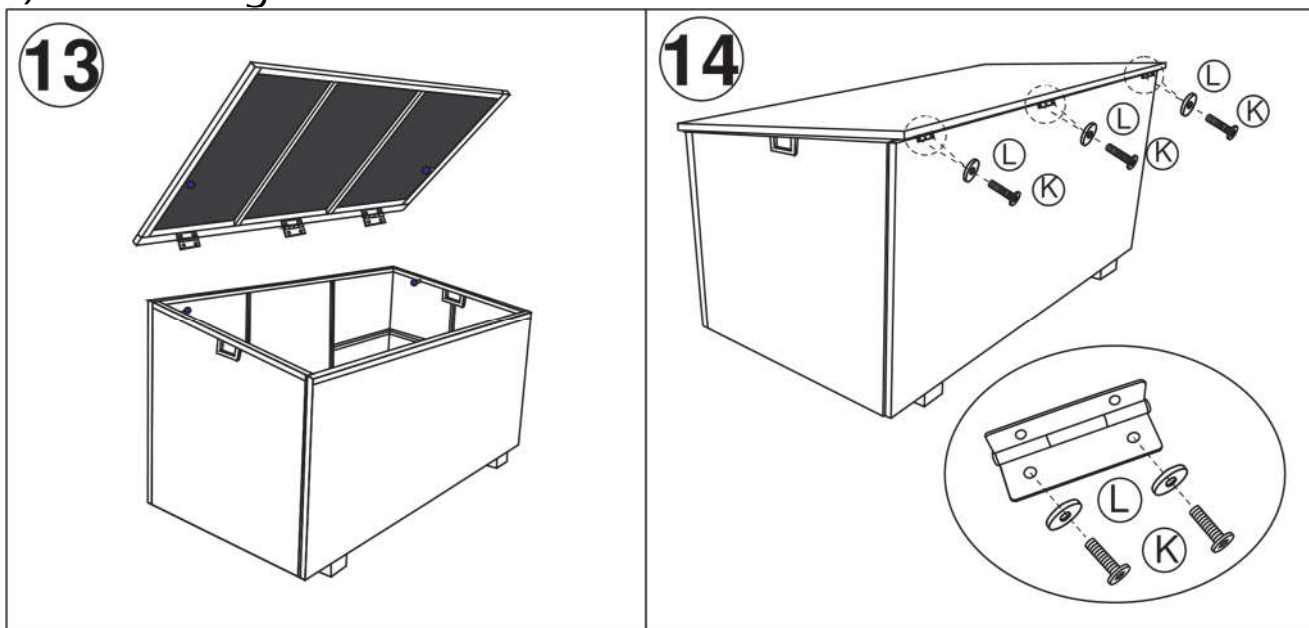
7. Use Allen Key (P) to fasten Bolts (K) with Washers (L). It should have 8 bolts fastened. (photo 10). Do not tighten bolts.



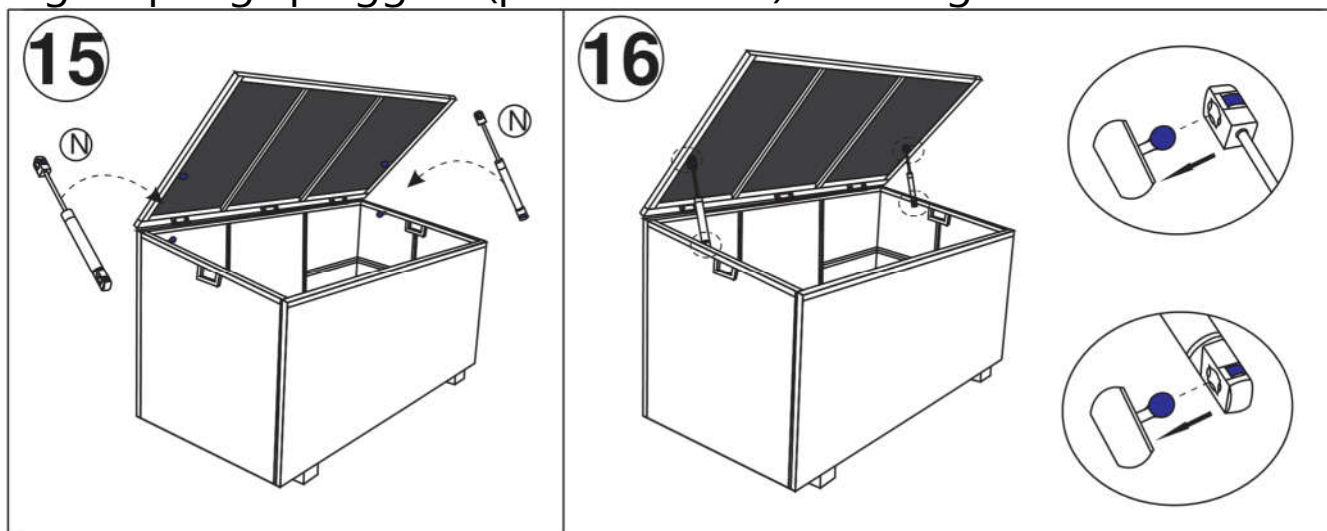
8. Align the Hinge (M) onto the side of Cover (G). Use Allen Key (P) to fasten Bolts (K) with Washers (L). It should have 3 hinges and 6 bolts fastened. (photo 11&12). Do not tighten bolts.



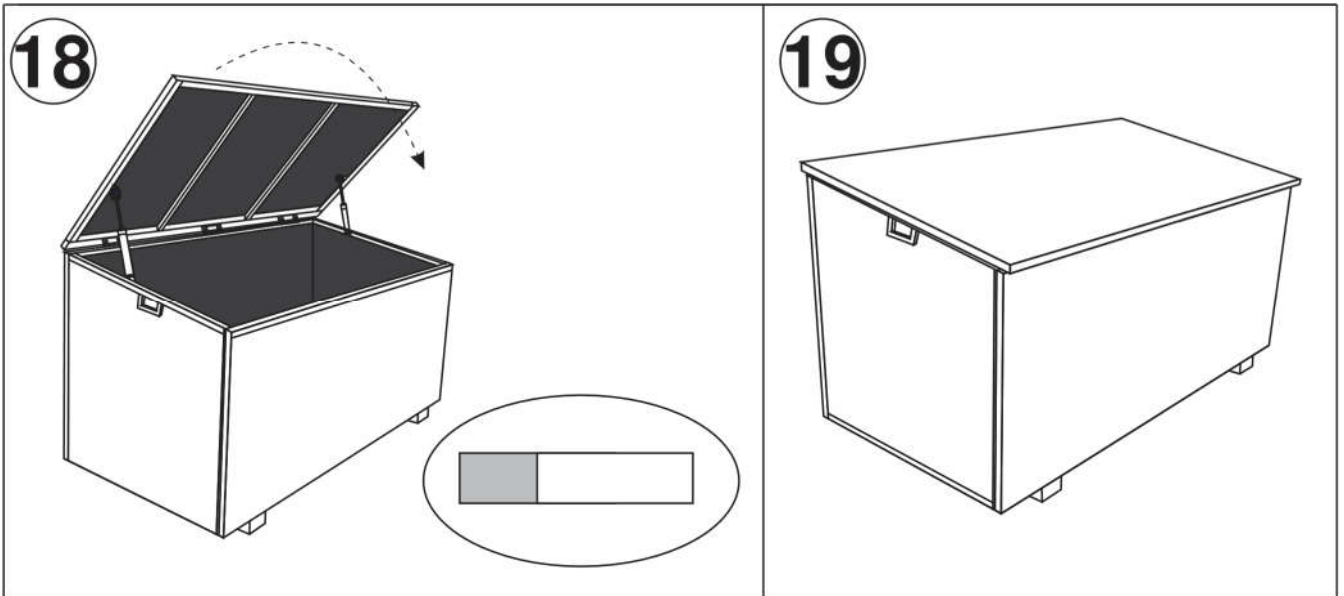
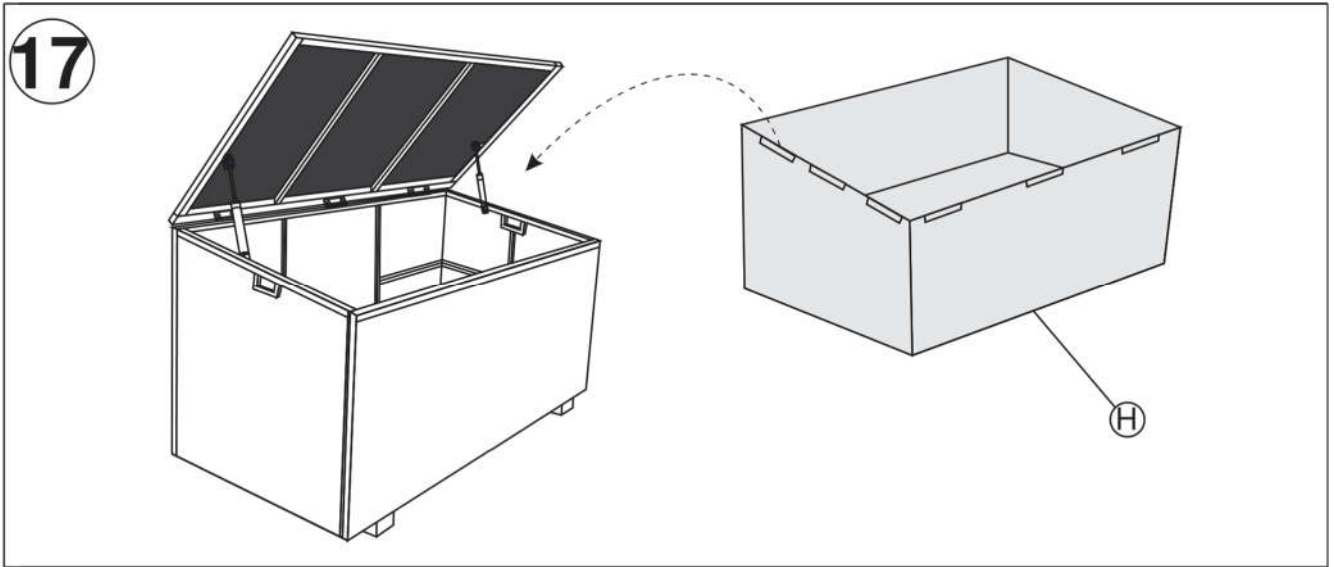
9. Attach cover (12) onto the long side of the frame body. Use Allen Key (P) to fasten Bolts (K) with Washers (L). It should have 6 bolts fastened. (Photo 13&14). Do not tighten bolts.



10. Plug Gas Spring (2pcs) inside the cover and the frame body. It should have 2 gas springs plugged. (photo 15&16). Now tighten all bolts.



11.Align the Canvas (H) inside the box. (photo 17&18)



You have completed assembling the furniture – enjoy!