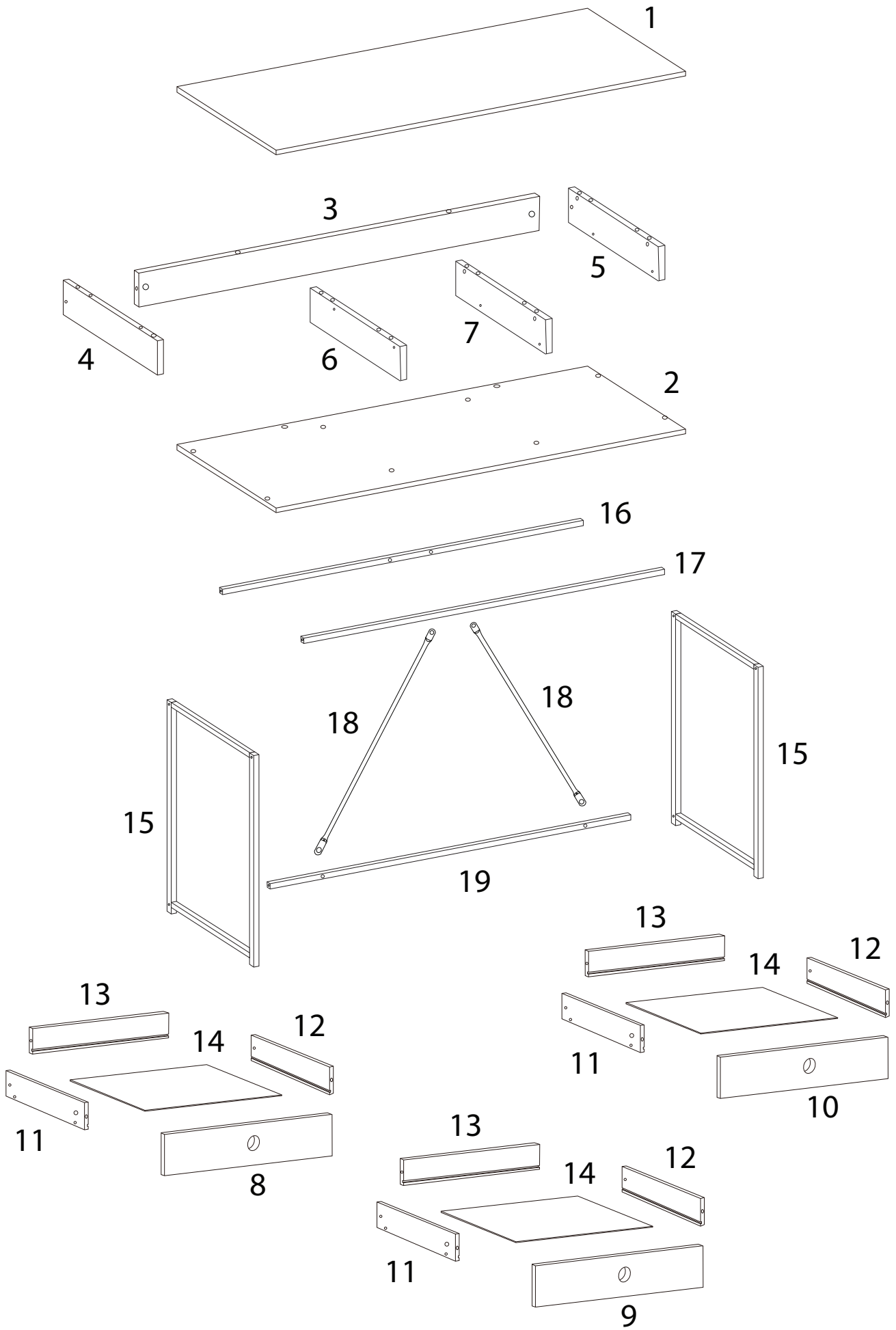
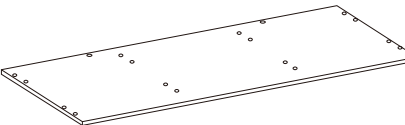
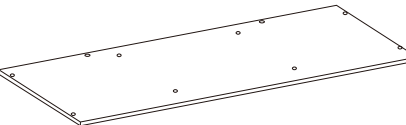
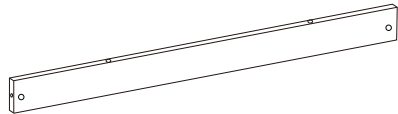
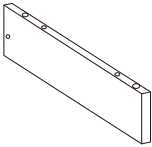
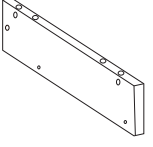
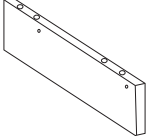
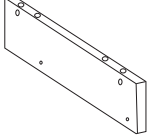
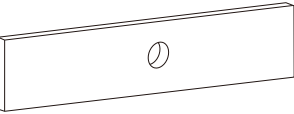
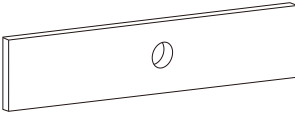
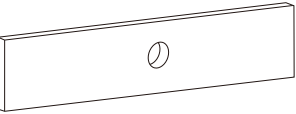
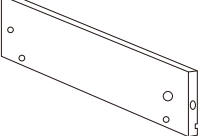
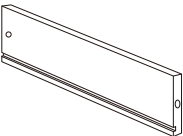
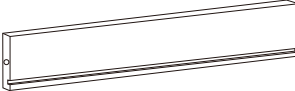

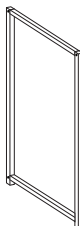


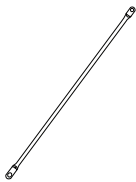



Diagram illustrating assembly instructions and safety warnings:

- Top Warning:** A warning triangle with an exclamation mark is connected by a vertical line to a box containing a screwdriver and a power drill with a diagonal slash through it, indicating that a power drill should not be used.
- Bottom Warning:** A warning triangle with an exclamation mark is connected by a vertical line to a box containing a block of material being placed on a surface and a block of material being cut with a diagonal slash through it, indicating that the material should not be cut.
- Time:** A clock icon is positioned to the right of the top warning, with the text "60'" below it, indicating a 60-minute assembly time.
- Person:** A stick figure icon is positioned to the right of the bottom warning, with the number "1" below it, indicating that one person is required for assembly.



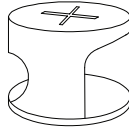
<p>1</p>  <p>x 1</p>	<p>2</p>  <p>x 1</p>	<p>3</p>  <p>x 1</p>	
<p>4</p>  <p>x 1</p>	<p>5</p>  <p>x 1</p>	<p>6</p>  <p>x 1</p>	<p>7</p>  <p>x 1</p>
<p>8</p>  <p>x 1</p>	<p>9</p>  <p>x 1</p>	<p>10</p>  <p>x 1</p>	<p>11</p>  <p>x 3</p>
<p>12</p>  <p>x 3</p>	<p>13</p>  <p>x 3</p>	<p>14</p>  <p>x 3</p>	<p>15</p>  <p>x 2</p>
<p>16</p>  <p>x 1</p>	<p>17</p>  <p>x 1</p>	<p>18</p>  <p>x 2</p>	<p>19</p>  <p>x 1</p>

A1



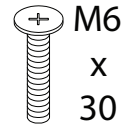
x 18

A2



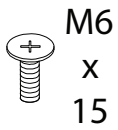
x 18

B1



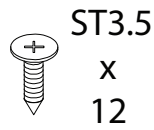
x 10

B2



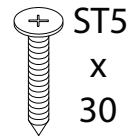
x 4

C1



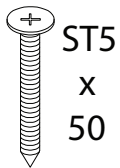
x 24

C2



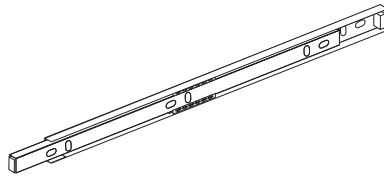
x 6

D



x 16

E



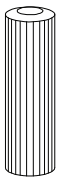
x 6

F



x 4

G



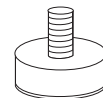
x 16

H



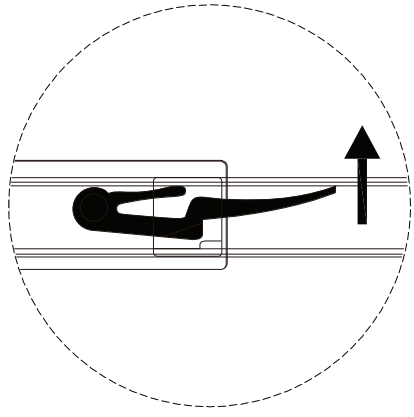
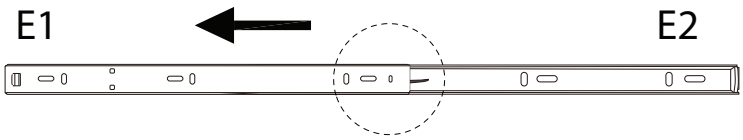
x 3

I

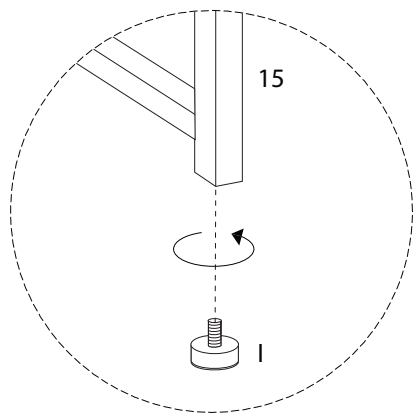
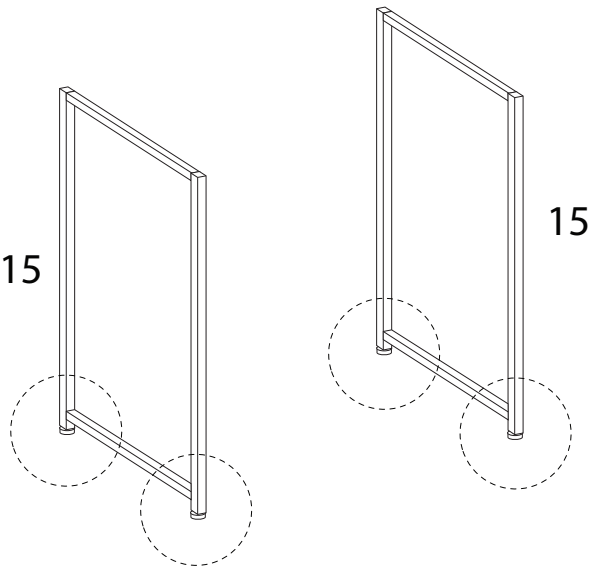
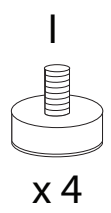
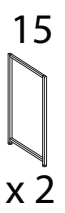


x 4

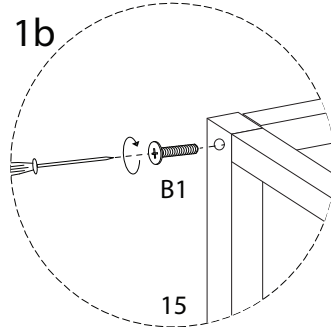
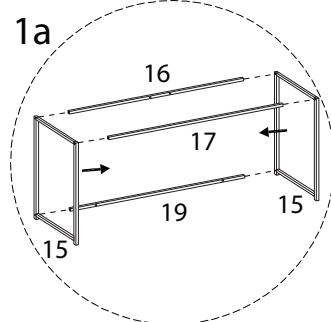
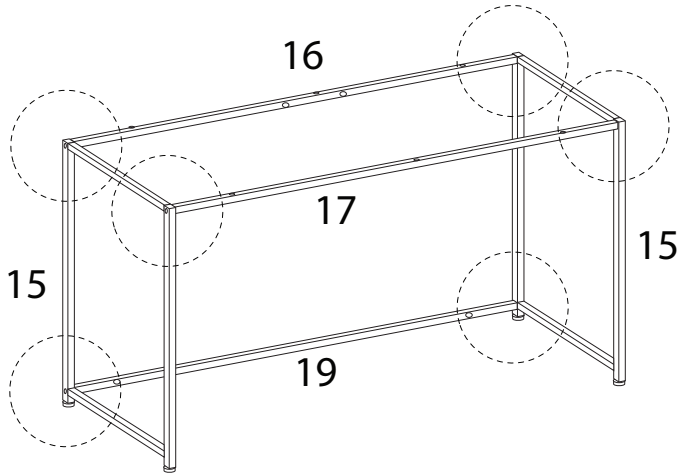
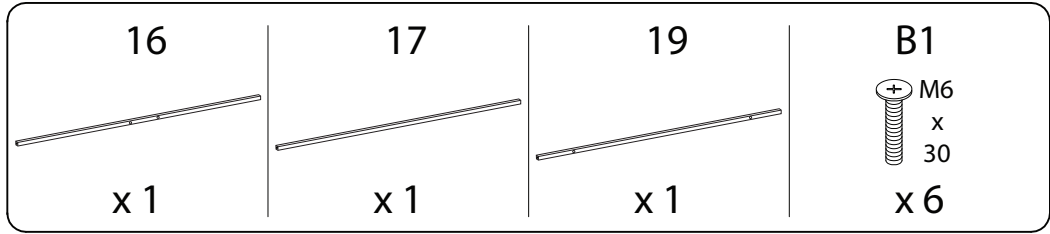
!



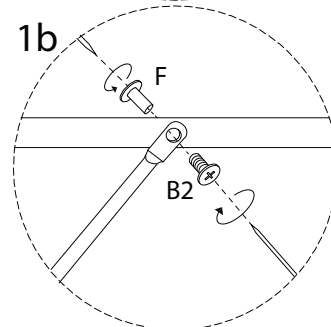
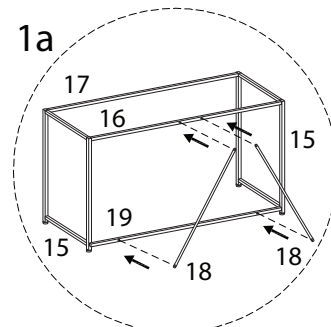
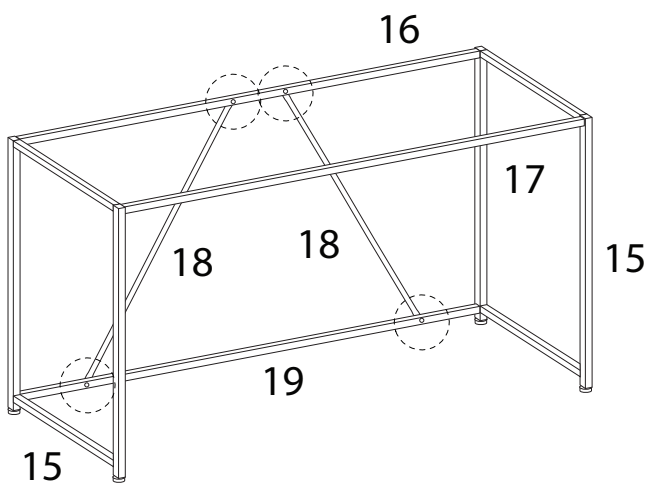
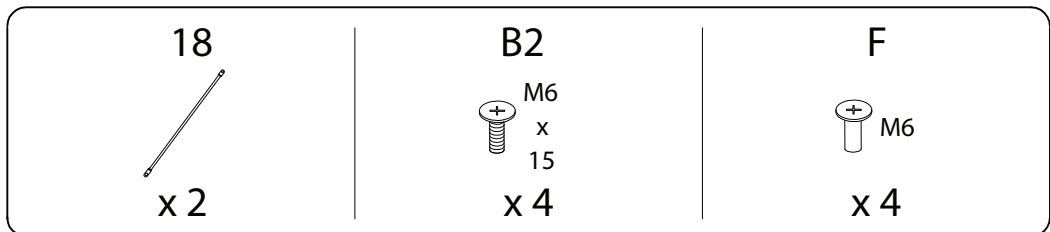
1



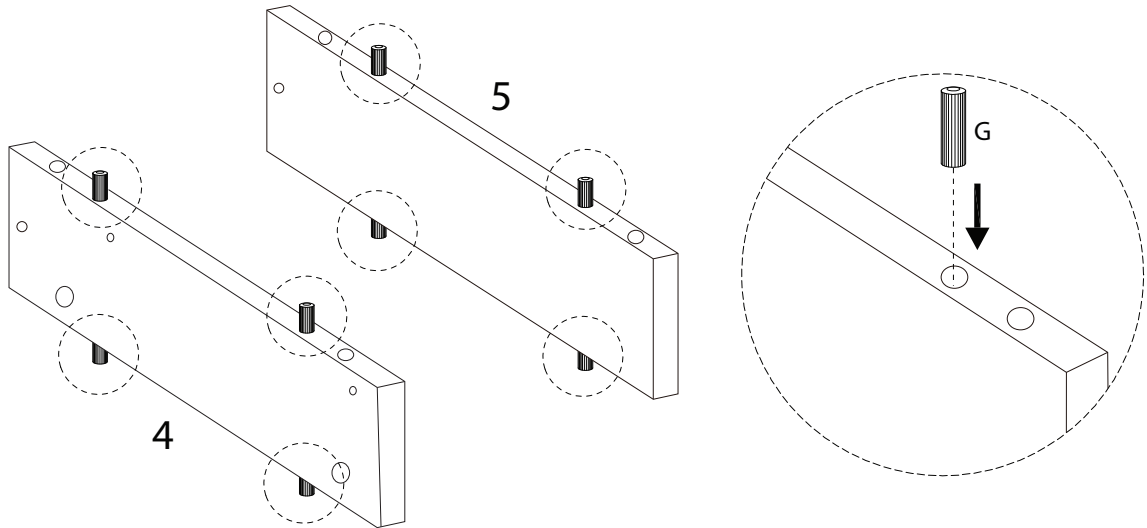
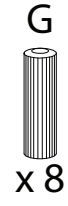
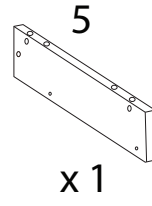
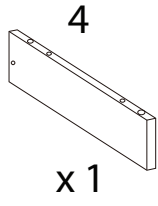
2



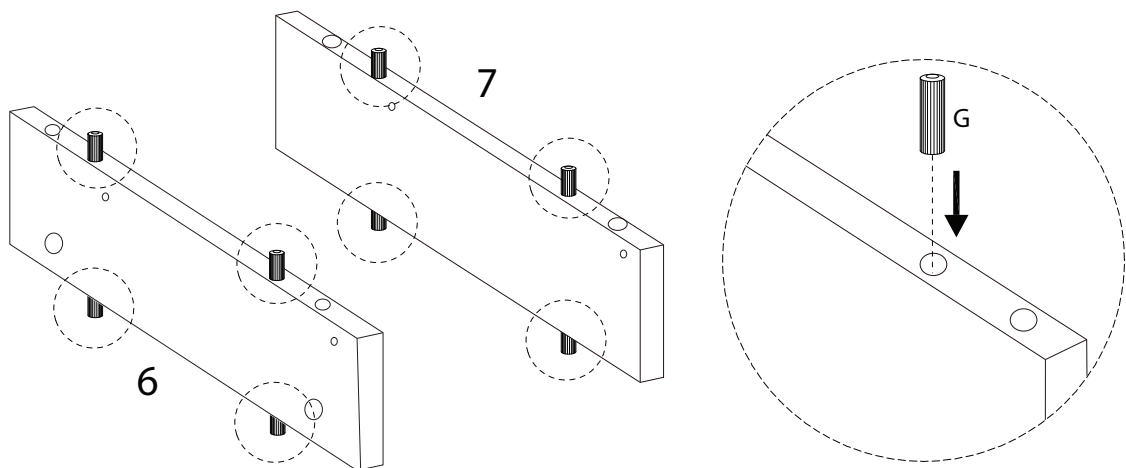
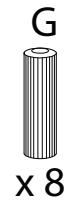
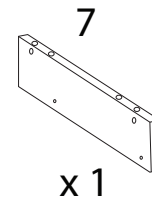
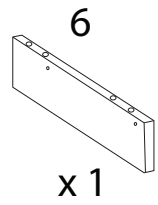
3



4



5

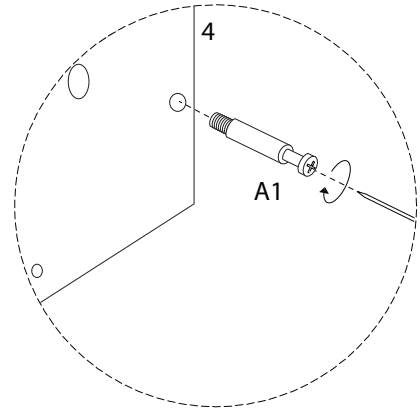
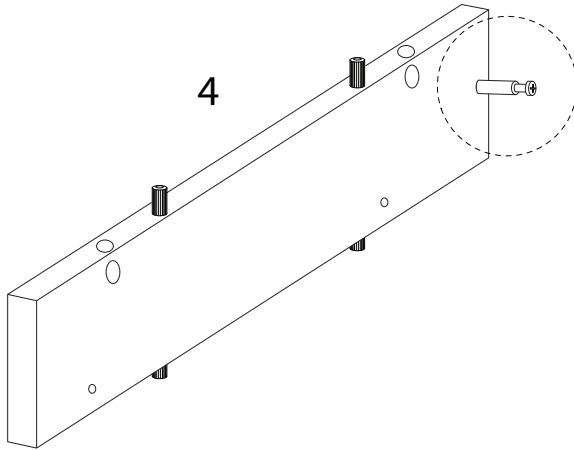


6

A1



x 1

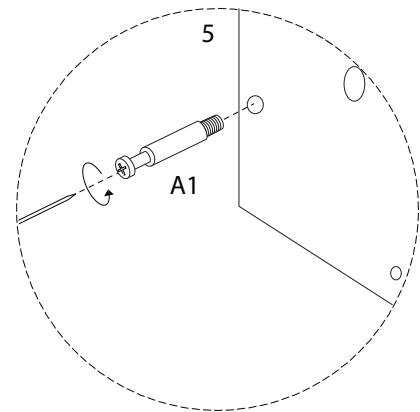
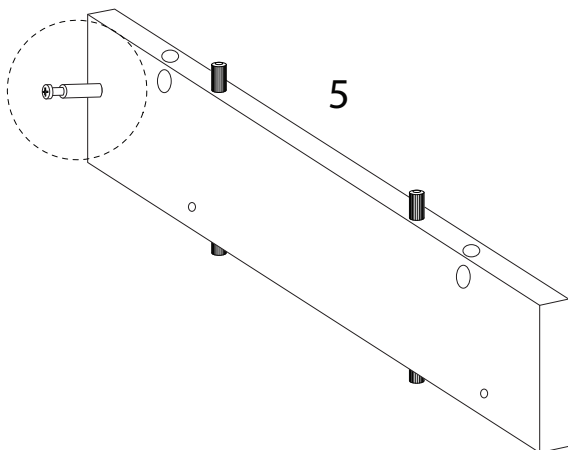


7

A1



x 1



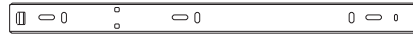
8

C1

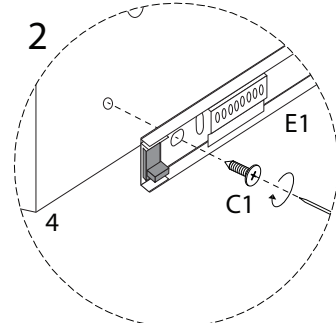
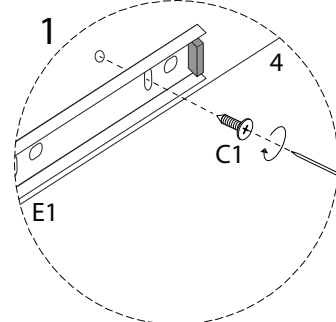
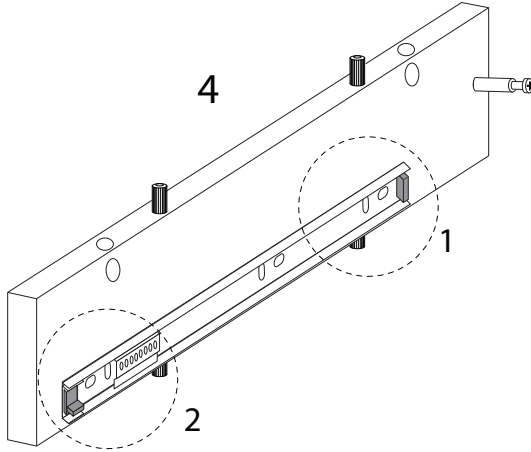
ST3.5
x
12

x 2

E1



x 1



9

C1

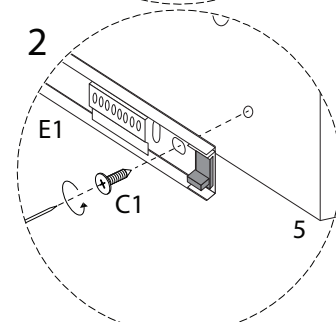
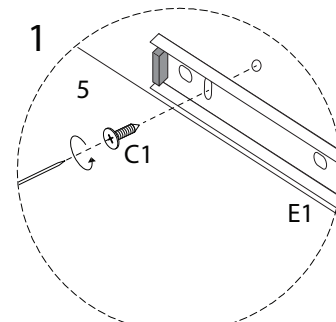
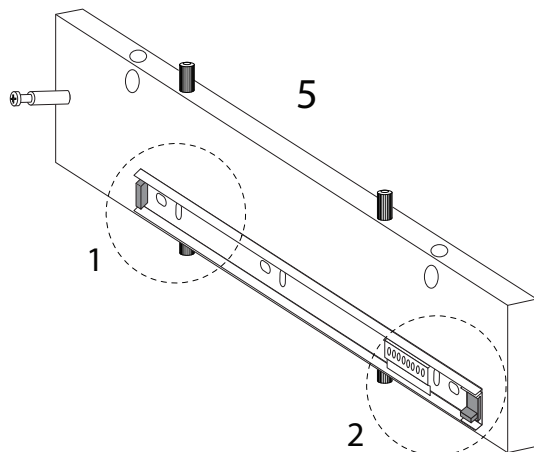
ST3.5
x
12

x 2

E1

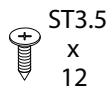


x 1



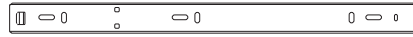
10

C1

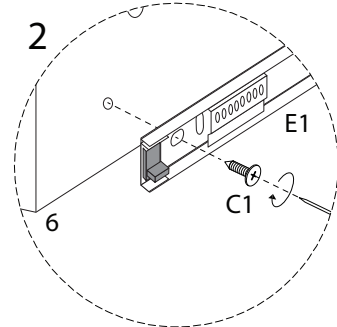
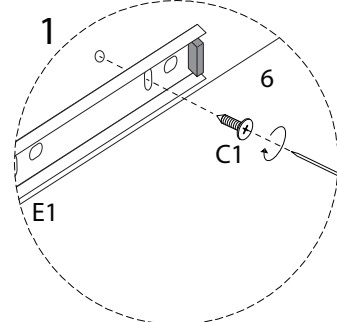
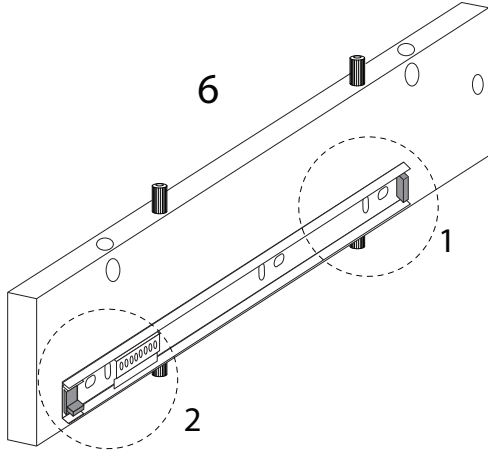


x 2

E1

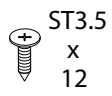


x 1



11

C1

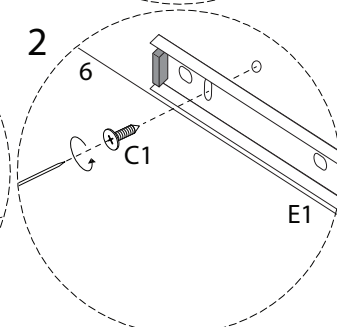
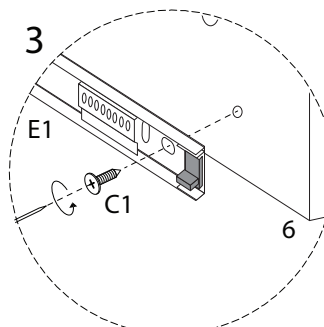
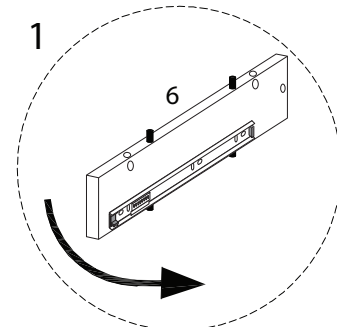
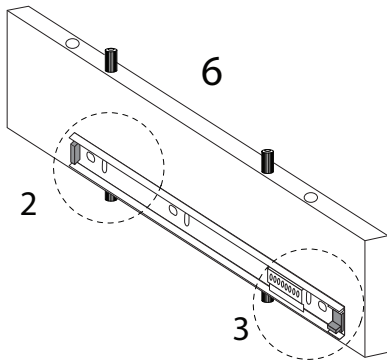


x 2

E1

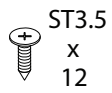


x 1



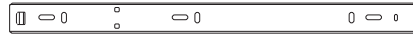
12

C1

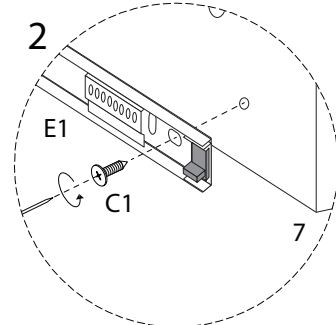
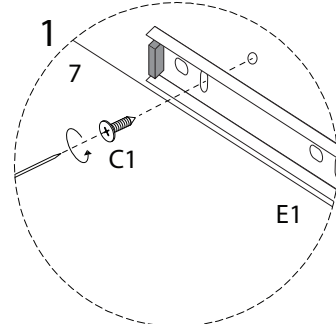
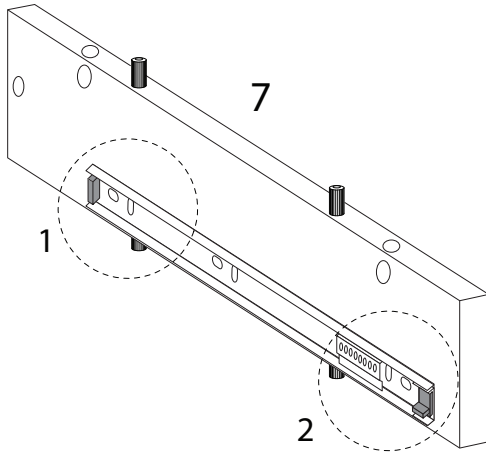


x 2

E1

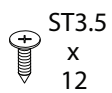


x 1



13

C1

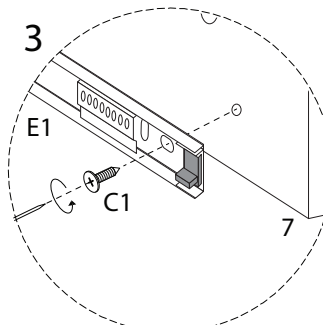
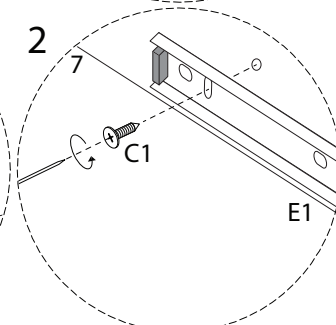
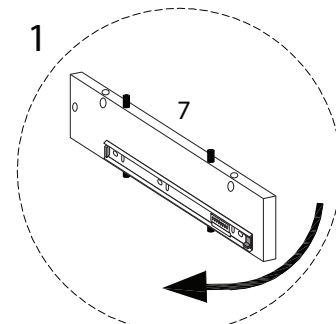
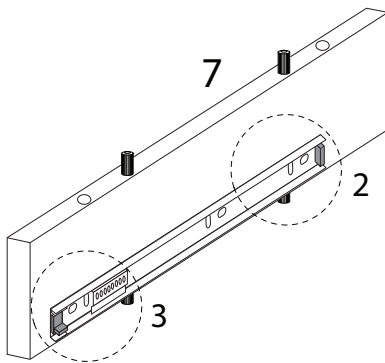


x 2

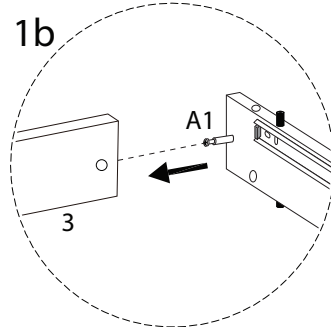
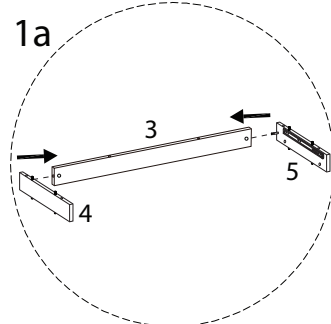
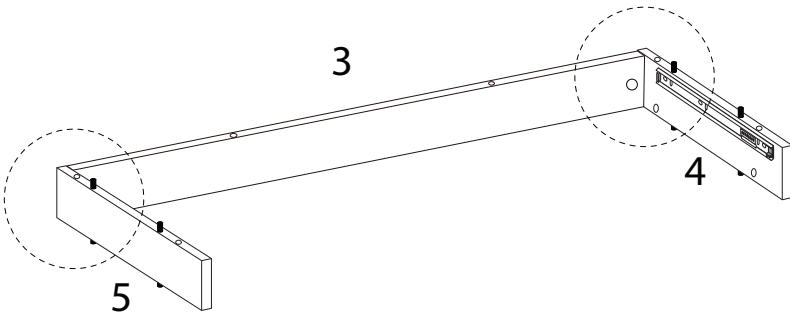
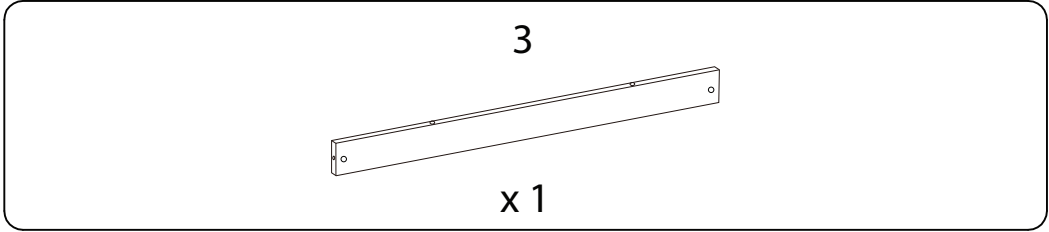
E1



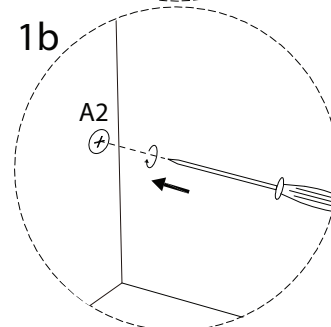
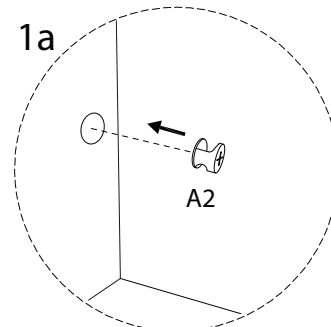
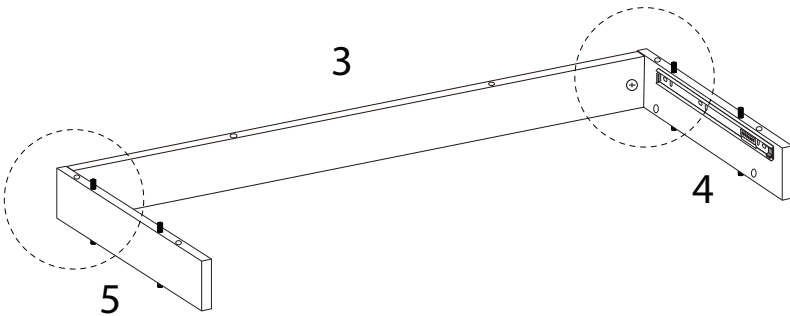
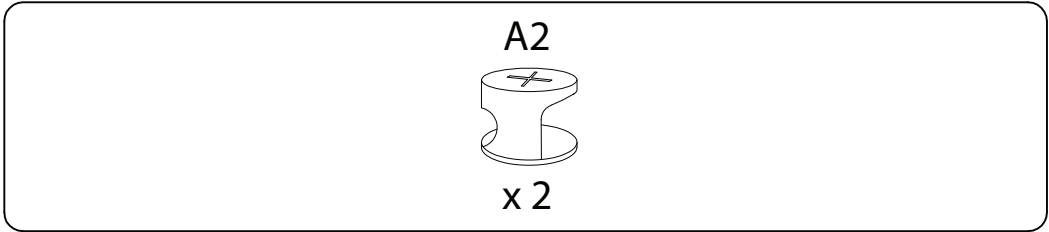
x 1



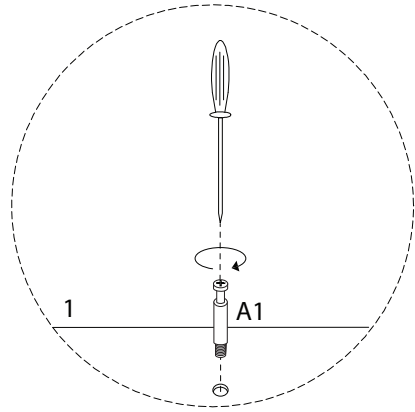
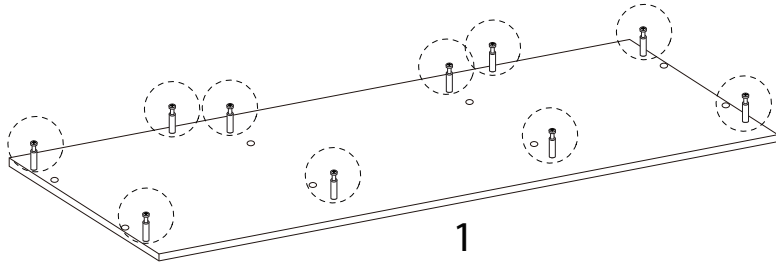
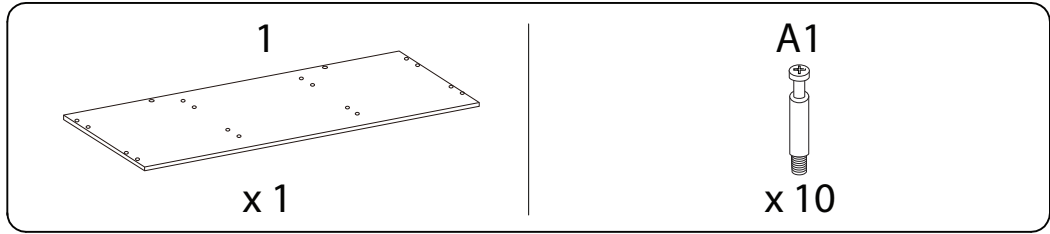
14



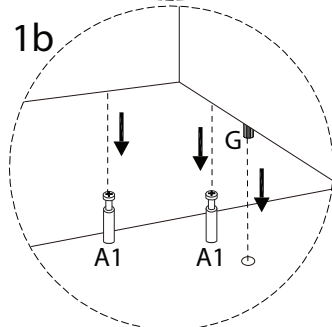
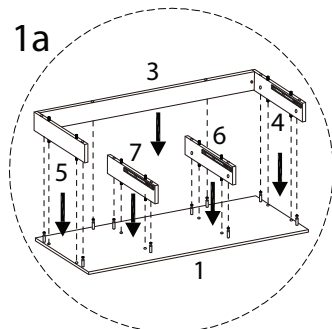
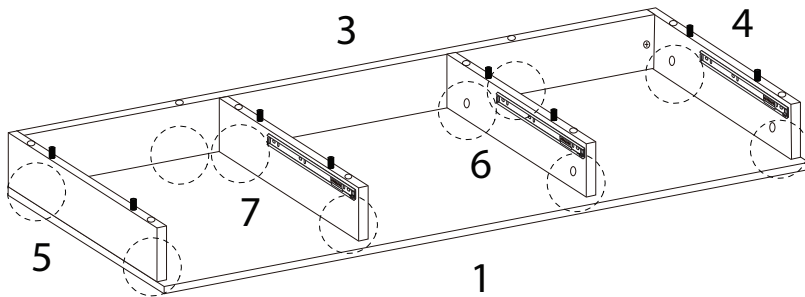
15



16



17

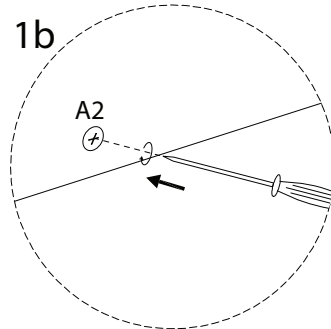
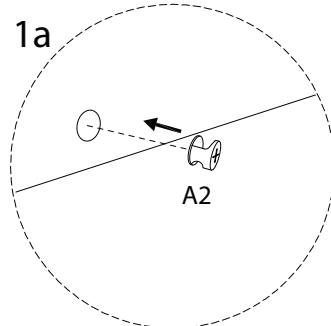
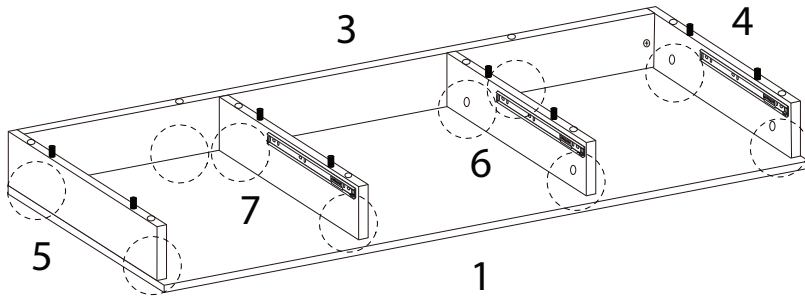


18

A2

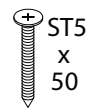


x 10

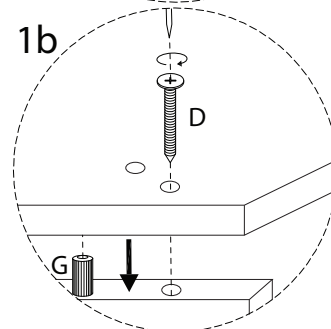
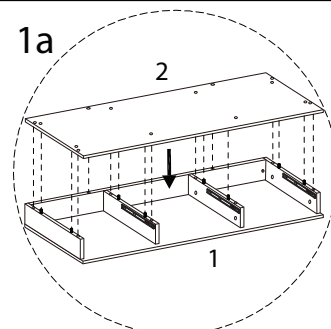
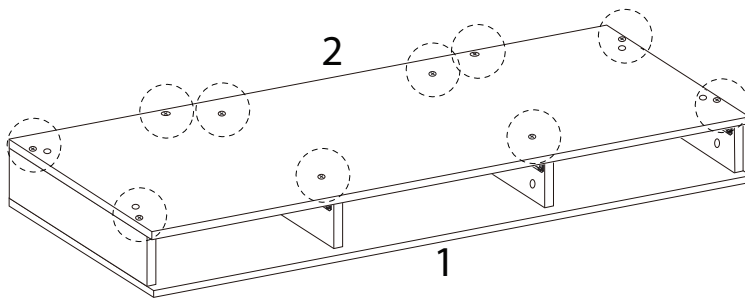


19

D

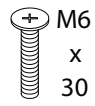


x 10

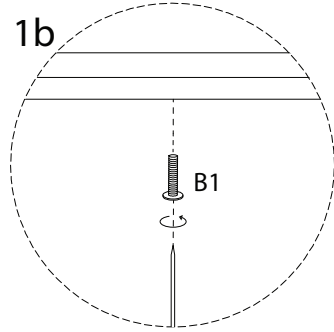
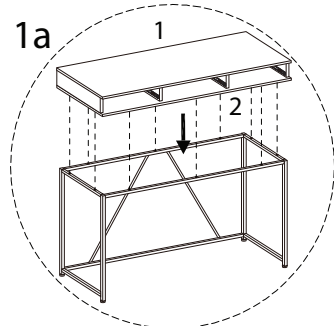
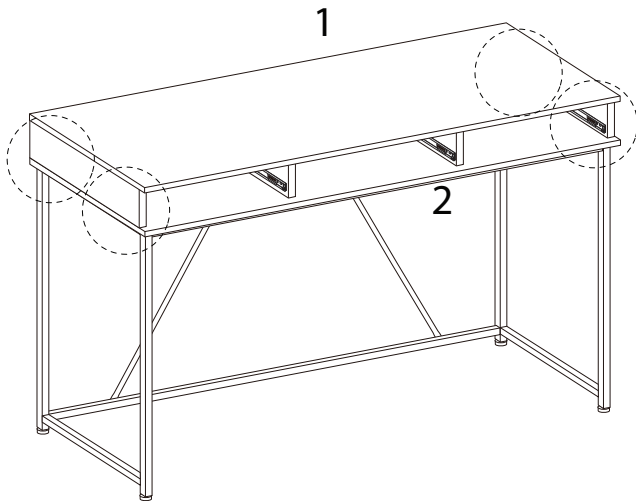


20

B1

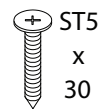


x 4

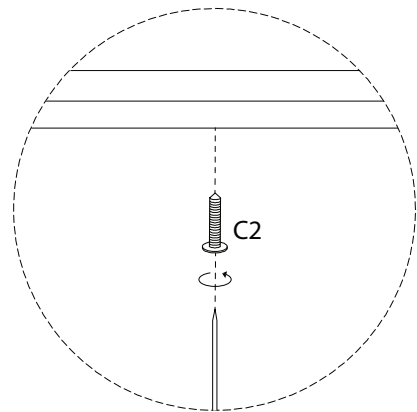
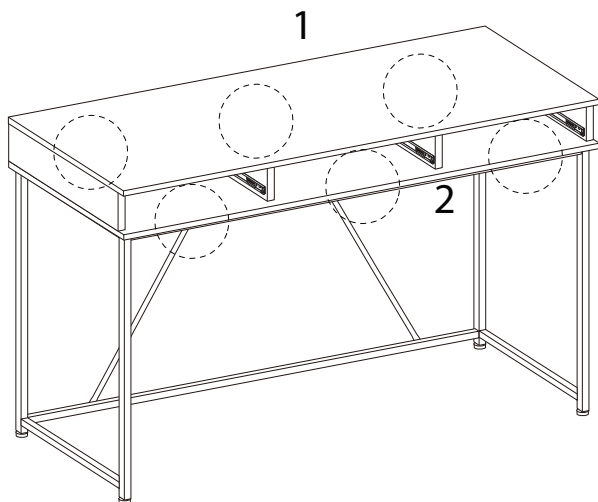


21

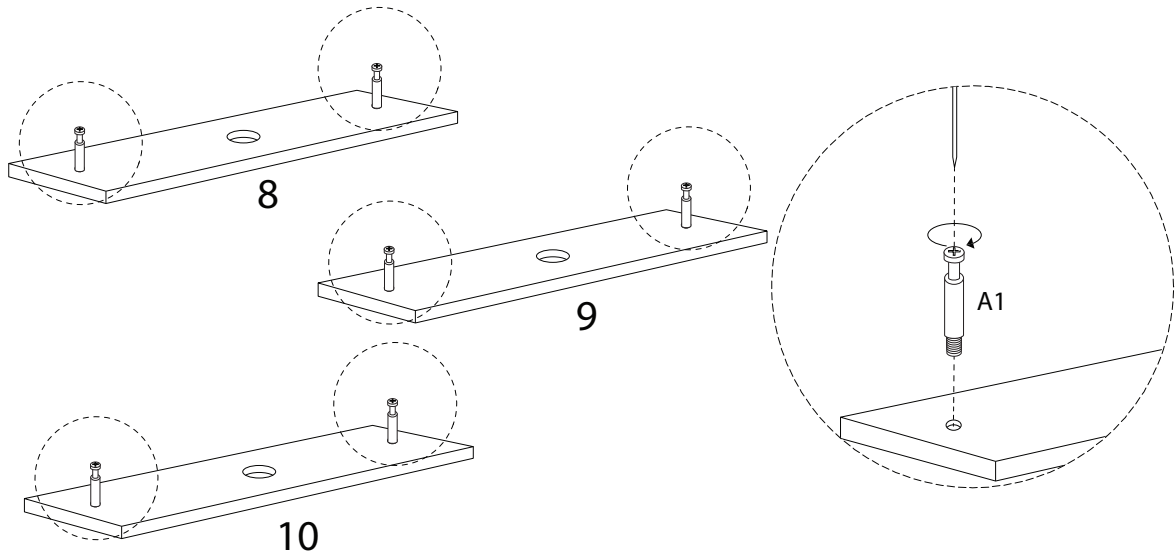
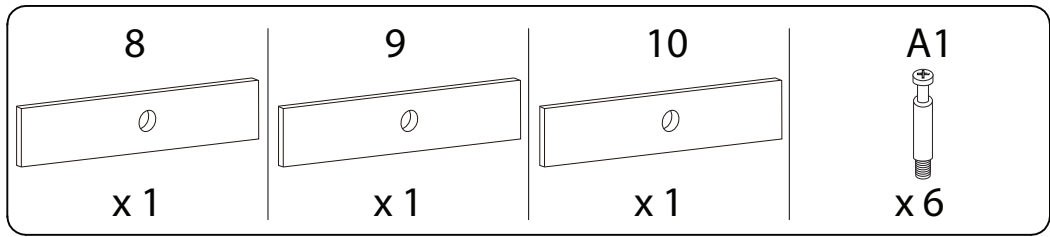
C2



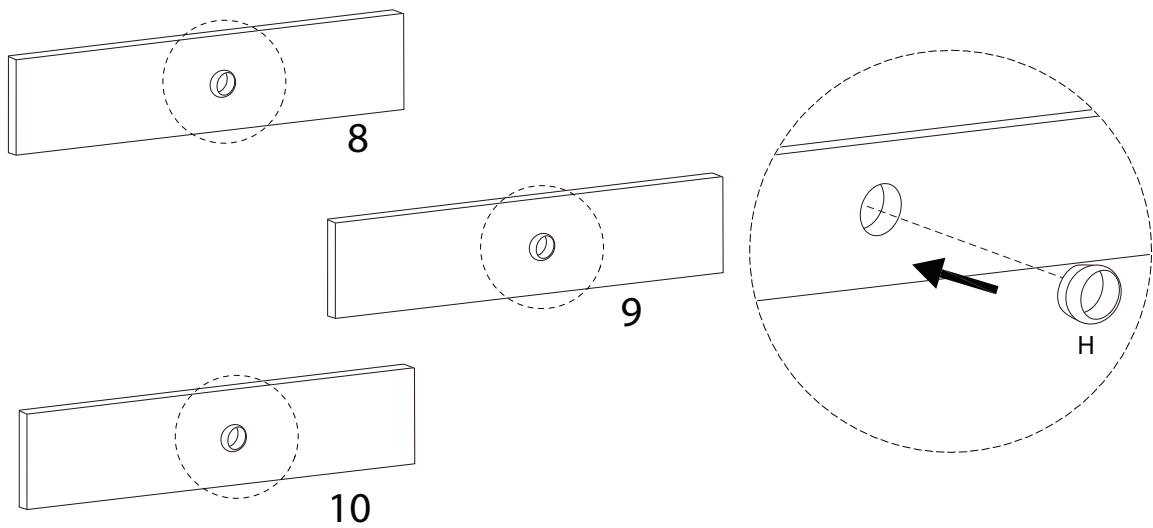
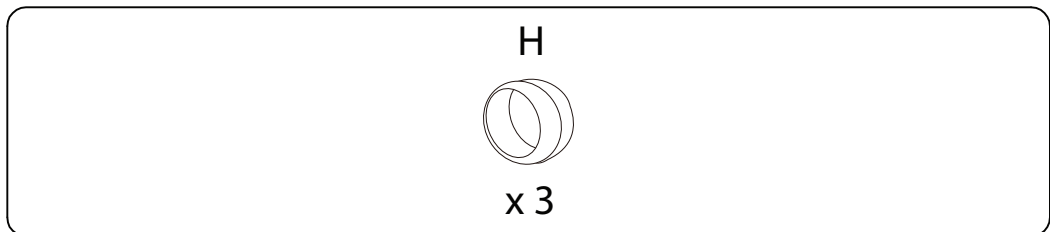
x 6



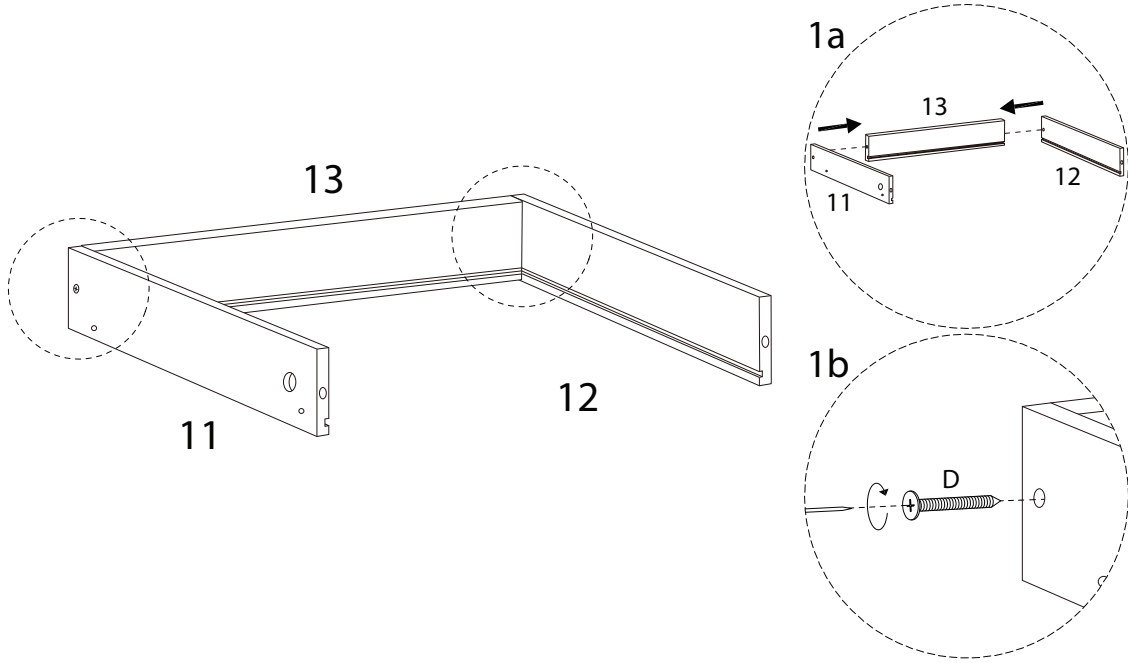
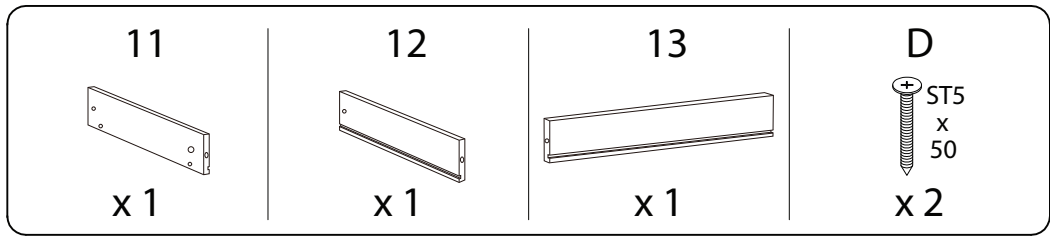
22



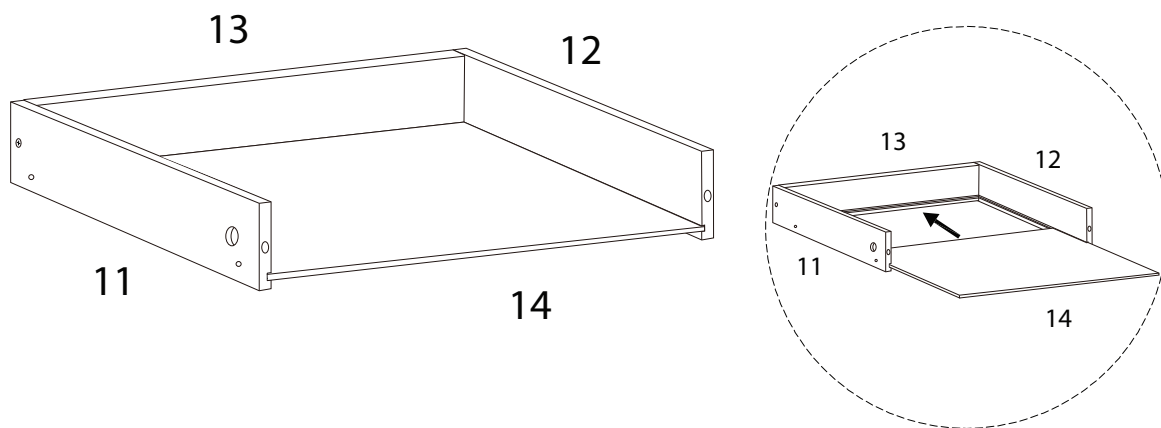
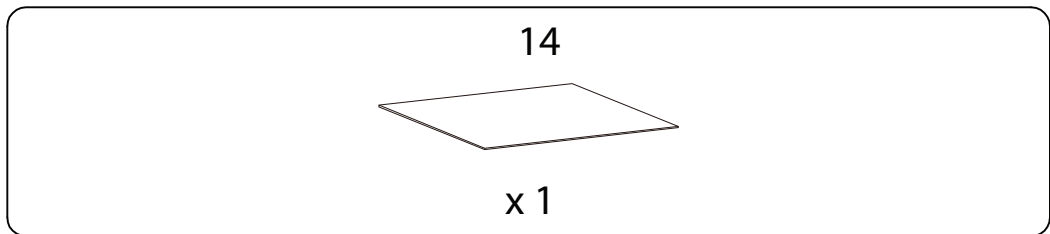
23



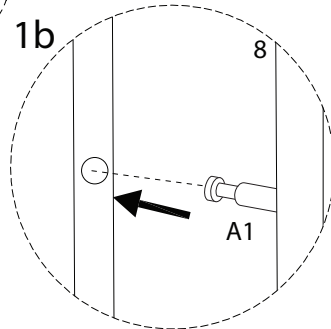
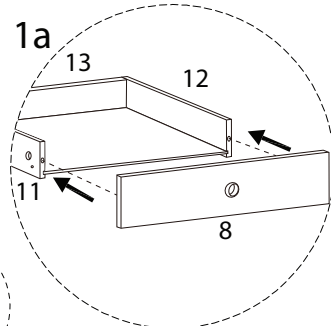
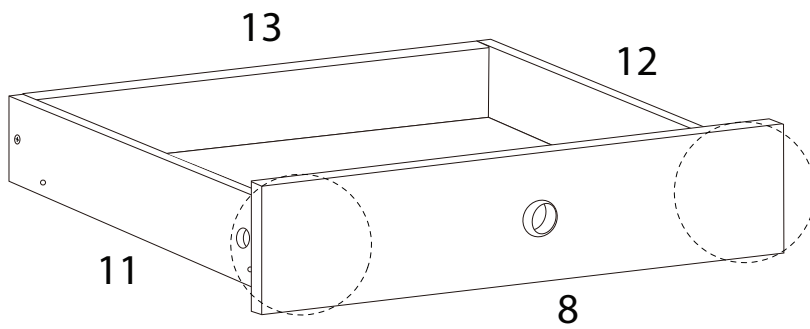
24 x 3



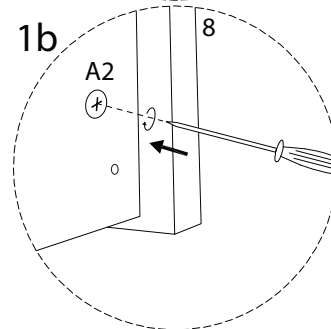
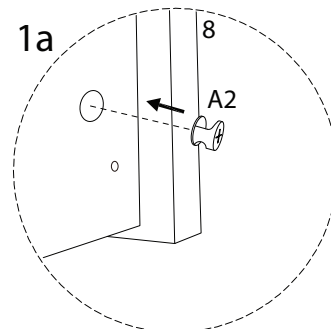
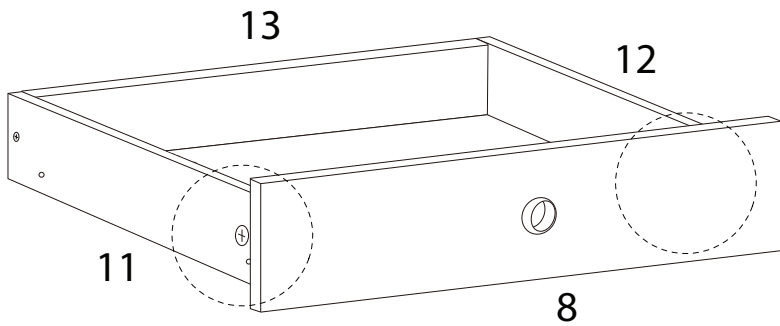
25 x 3



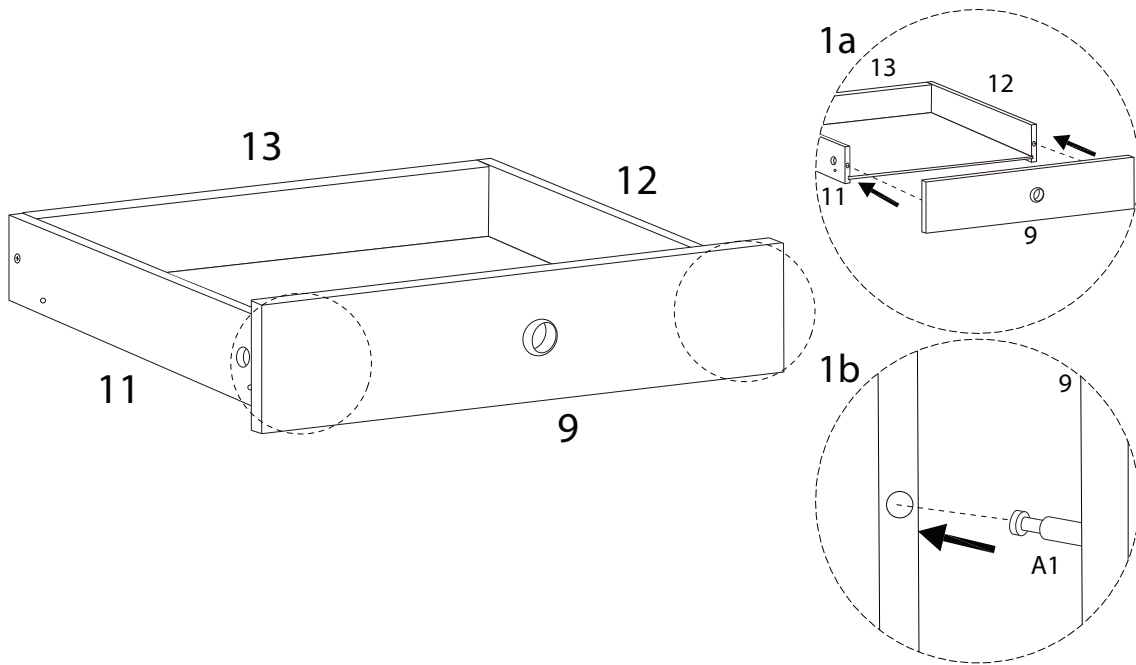
26



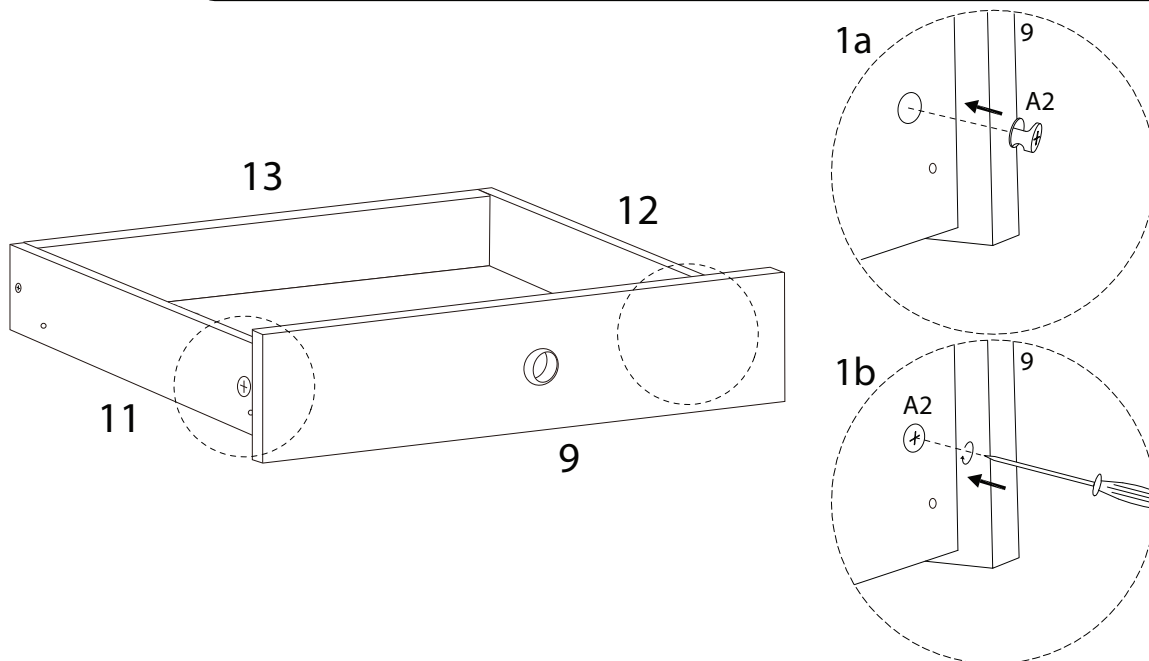
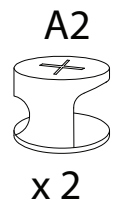
27



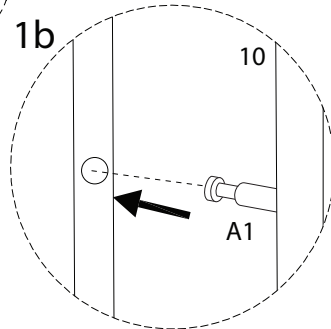
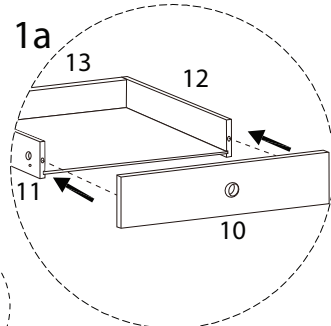
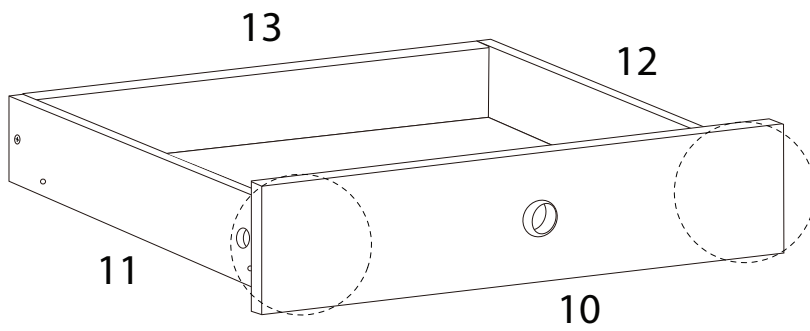
28



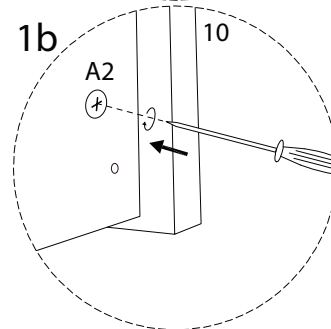
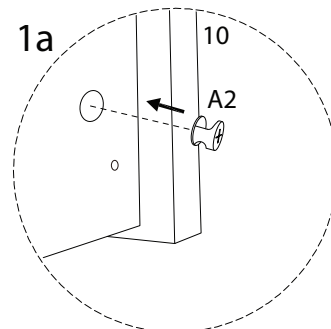
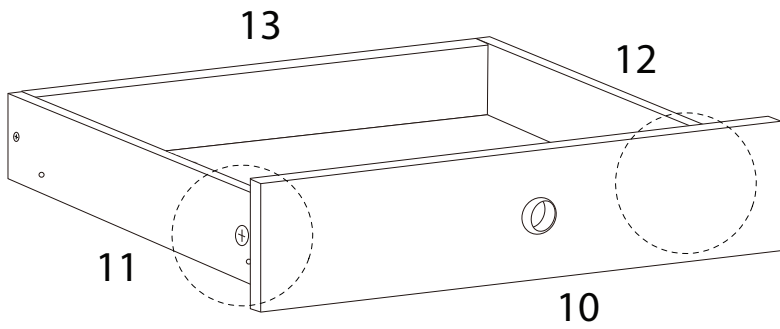
29



30

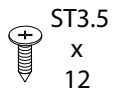


31



32

C1

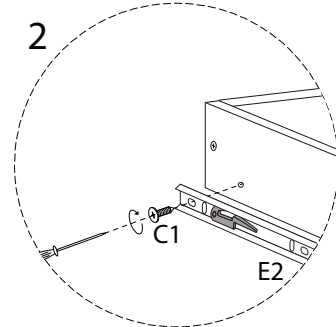
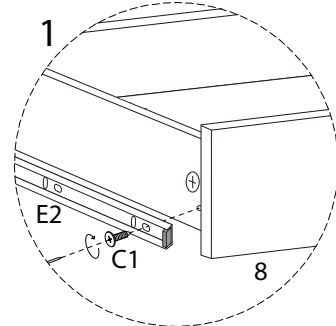
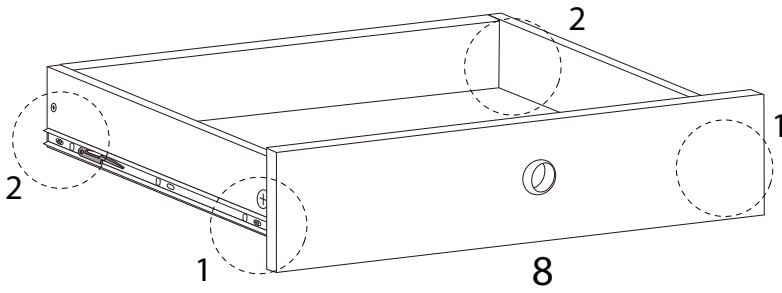


x 4

E2

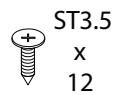


x 2



33

C1

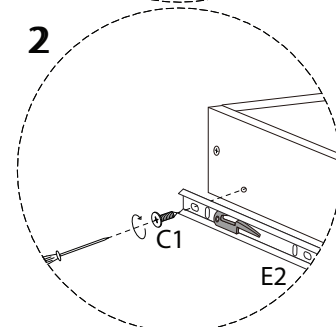
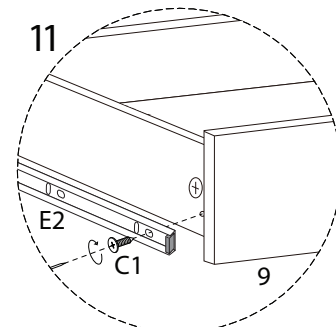
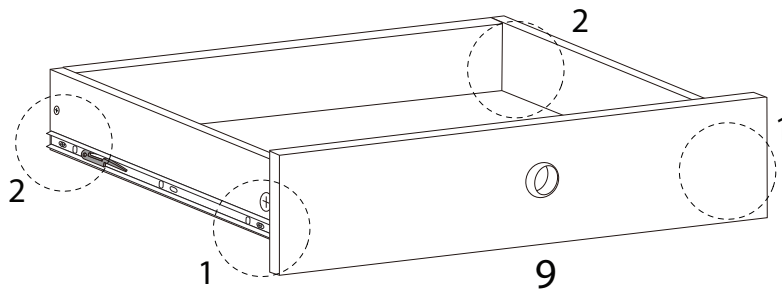


x 4

E2

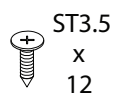


x 2



34

C1

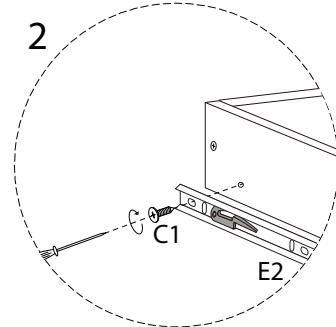
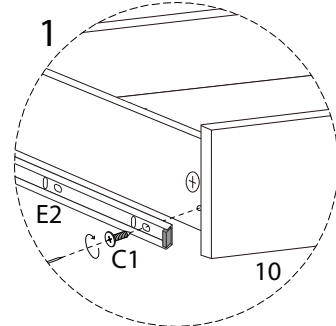
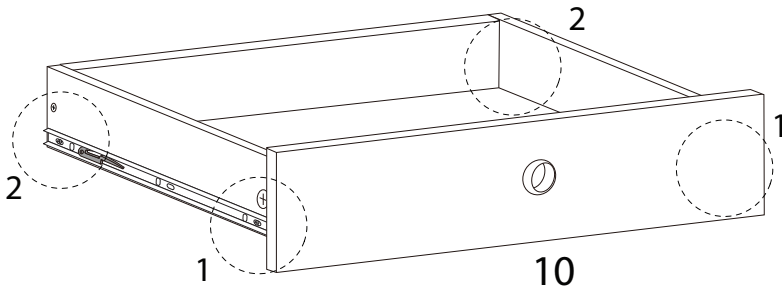


x 4

E2



x 2



35

