

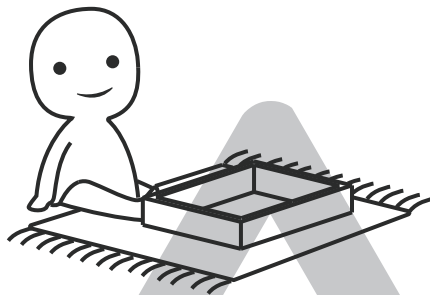
INSTALLATION

Product Manual



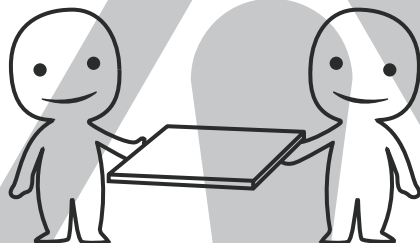
IMPORTANT INFORMATION!

please read the entire manual before starting to assemble and/or using this product, follow the manual thoroughly and keep it for further reference.



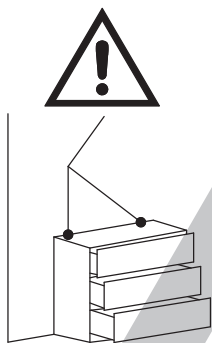
AVOID SCRATCHES!

In order to avoid scratching this furniture should be assembled on a soft layer-could be a rug.



IMPROVE EFFICIENCY !

Try to find a partner to install with you, which can speed up the installation efficiency and shorten the time.



ANTI-TOPPLE WARNING !

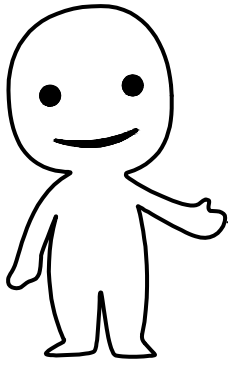
Overturnd furniture can cause serious or fatal crush injuries. To prevent tipping over, be sure to use the wall attachment, if not included with this product. Please purchase the wall attachment that fit your wall. If unsure, seek professional advice. Please read and follow each step of the instructions carefully.

IMPORTANT !

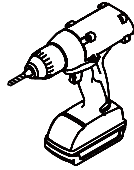
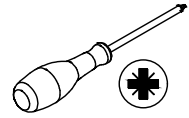
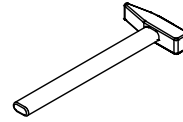
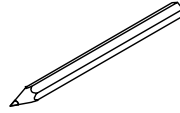
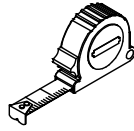
It is important that any product which is assembled using any kind of screw is re-tightened 2 weeks after assembly, and once every 3 months - in order to assure stability through-out the lifespan of the product.

For regular maintenance and cleaning of the product, for the frame, please use a rag dipped in neutral detergent to fully wipe it, and then dry it with a clean rag. For glass materials, wipe with a rag dampened with water glass cleaner, and then dry with a dry rag.

Do not use an electric screwdriver, and do not use too much force when installing, because the board is easy to break.

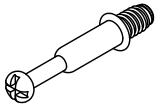


Please prepare the following tools



When installing, please carefully confirm whether each screw corresponds to the manual, accessories with similar shapes can be distinguished by size

A x 117



CRA0635B

B x 117

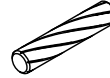


C x 117



CRB1595A

D x 88

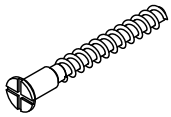


CRF0630A

E x 4



F x 54

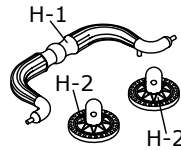


CRC0540A

G x 3



H x 8

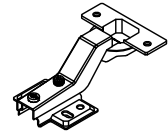


J x 19



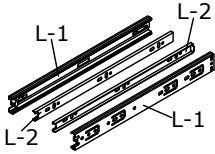
CRE0418A

K x 4



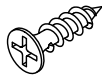
DGA861C

L x 9



#3508 14"

M x 36



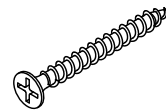
CRD3512A

N x 136



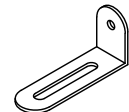
CRD3514A

P x 4

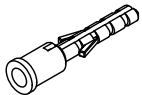


CRD3535A

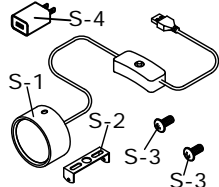
Q x 2



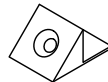
R x 2



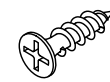
S x 1



T x 32



U x 32



CRD0314A

V x 3



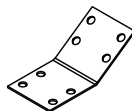
CRG0635A

W x 4



CRG0612A

X x 8



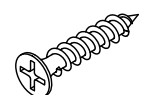
Y x 2



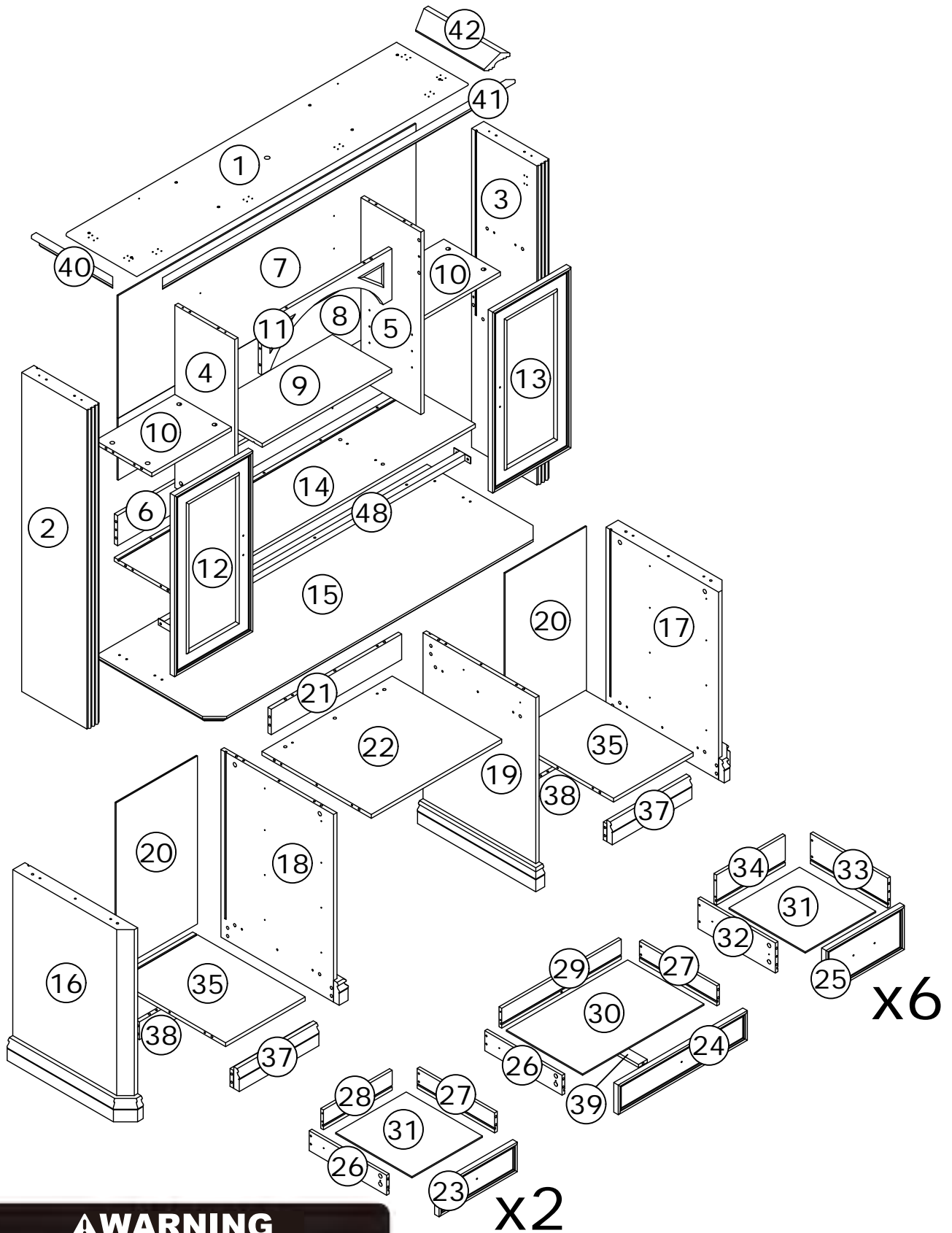
Z x 1



AA x 10



CRD3520A



⚠ WARNING

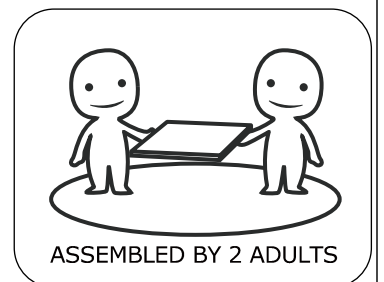


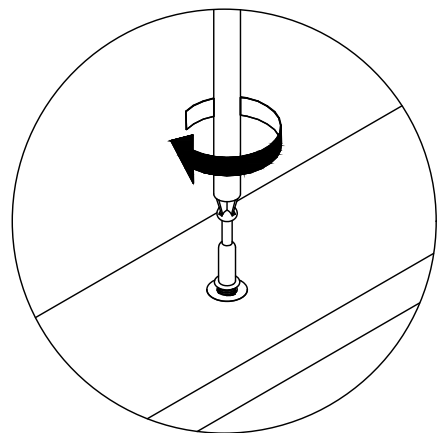
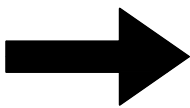
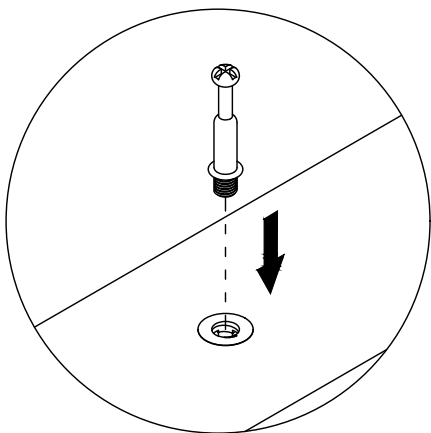
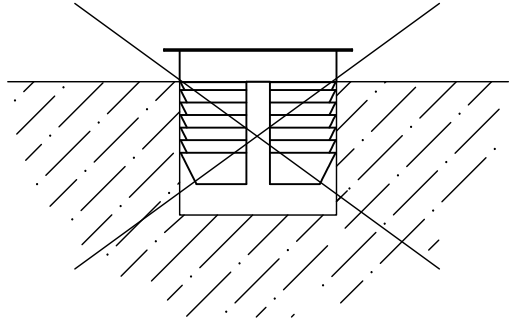
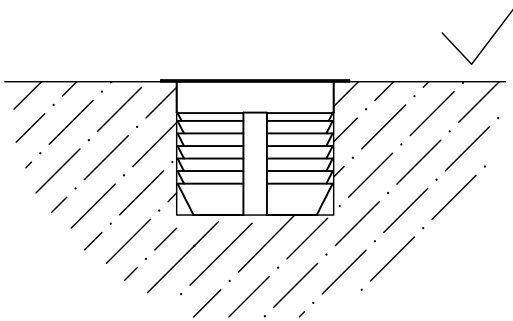
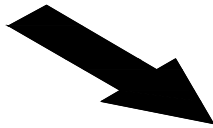
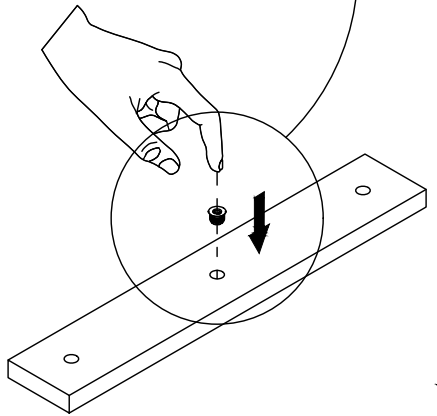
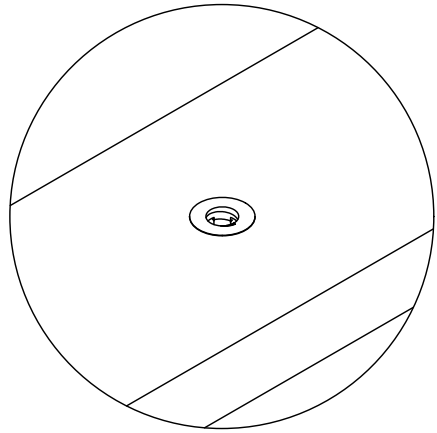
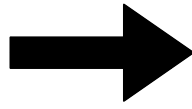
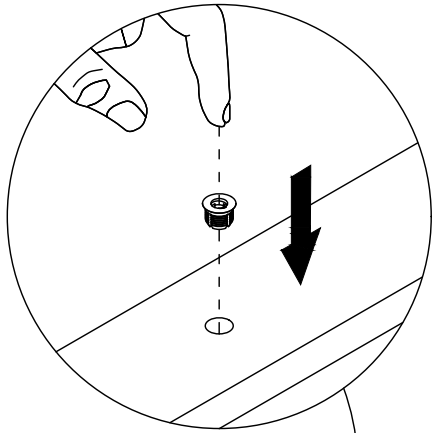
Children have died from furniture tipover. To reduce the risk of furniture tipover:

- ALWAYS install Anti-tip device provided.
- NEVER put a TV on this product.
- NEVER allow children to stand, climb or hang on drawers, doors, or shelves.
- NEVER open more than one drawer at a time.
- Place heaviest items in the lowest drawers.



*This is a permanent label.
Do not remove!*

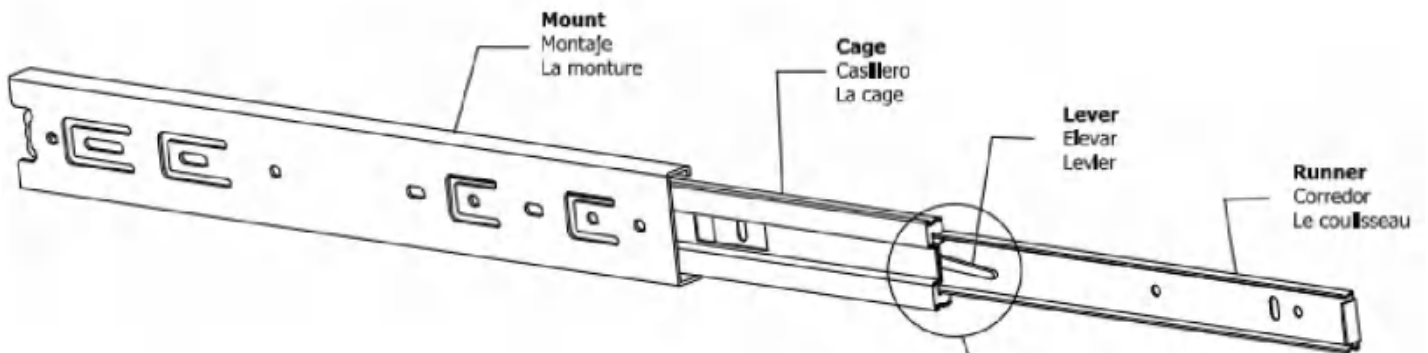




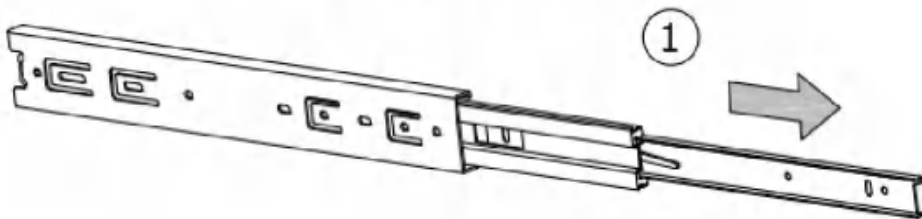
**Slides Must Be Separated Before Assembly.
After Separated, Set Aside Until Needed for Assembly.**

Las diapositivas deben separarse antes del montaje.
Después de la separación, déjelo a un lado hasta que sea necesario.

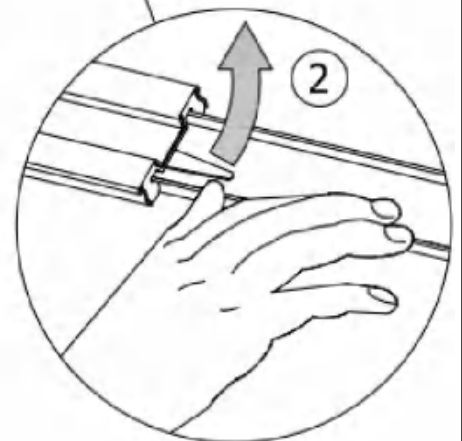
Les glissières doivent être séparées avant l'assemblage.
Après la séparation, mettez de côté jusqu'au moment de l'assemblage.



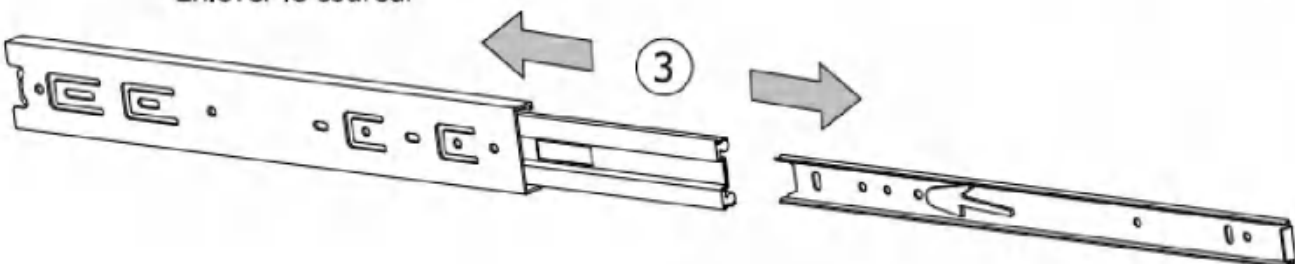
STEP 1: Extend Slide
Extender la diapositiva
Extendre la diapositive



STEP 2: Push Lever UP
Empujar hacia arriba
Lever le levier



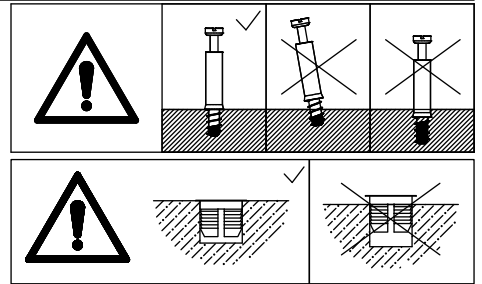
STEP 3: Remove Runner
Quitar el corredor
Enlever le coureur



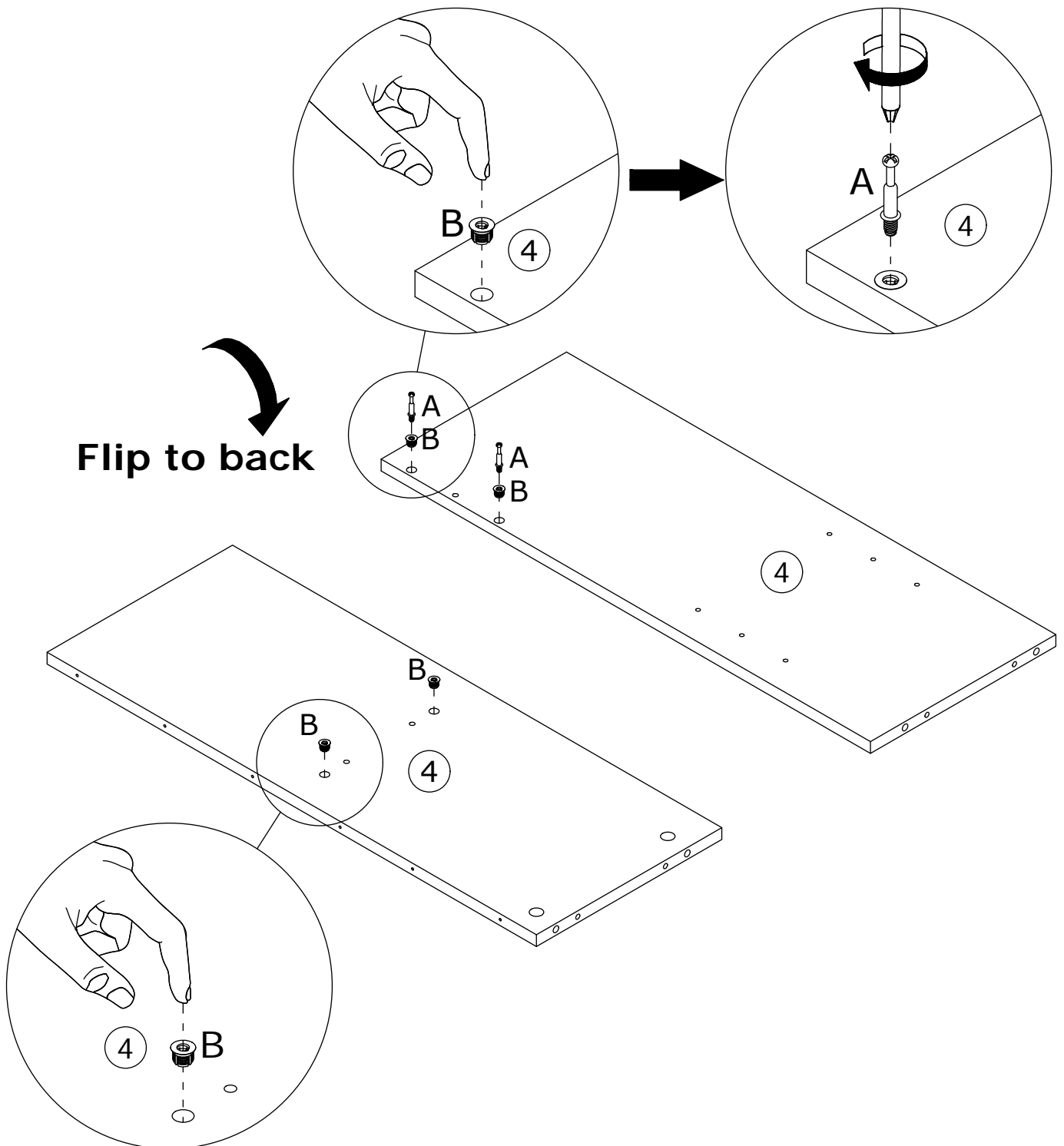
1



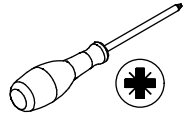
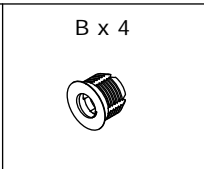
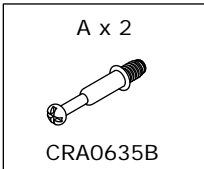
First install plug (B) onto panel 4, then screw the self-tapping rod (A) into.



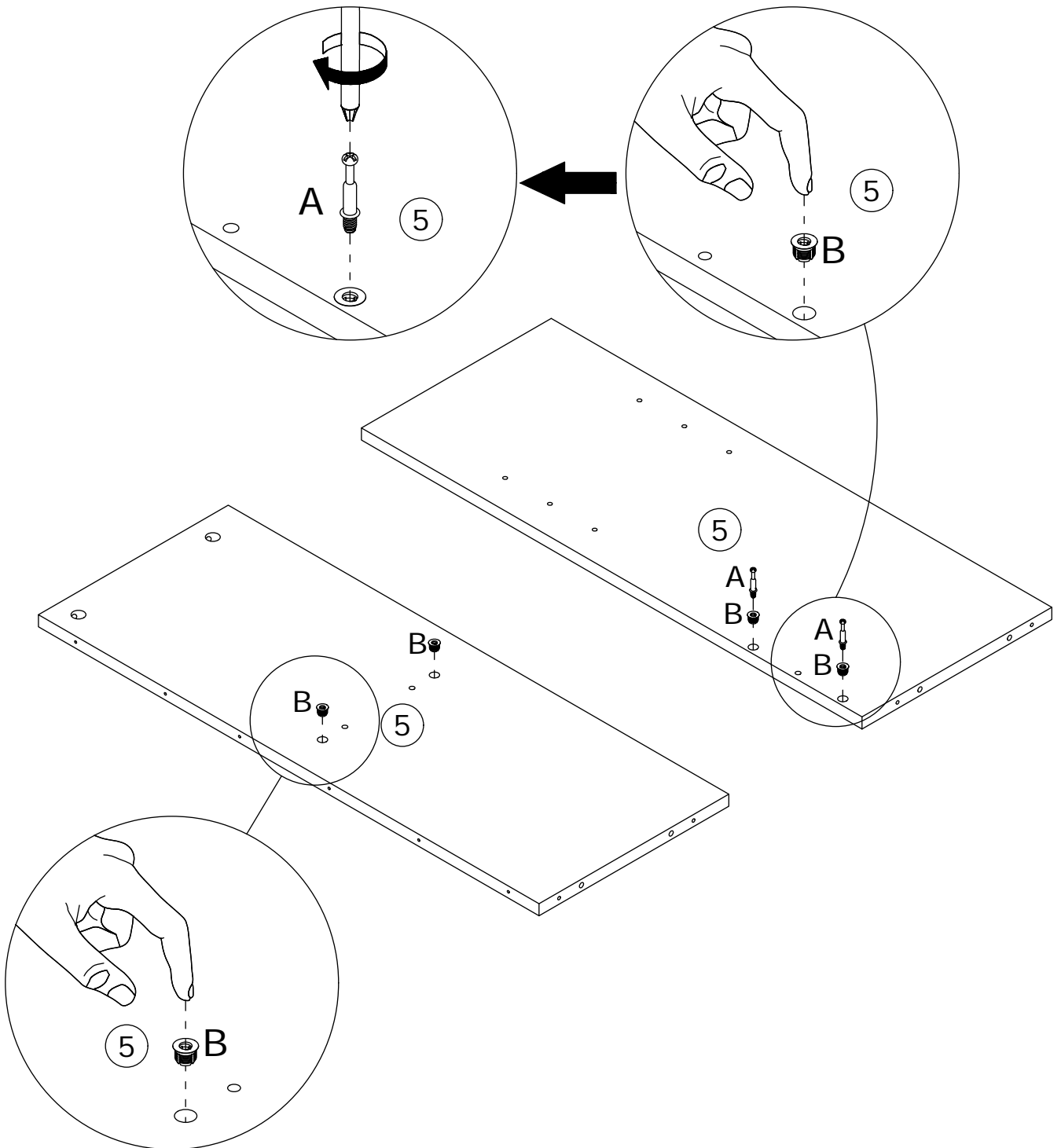
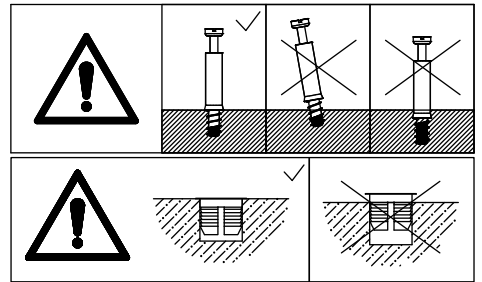
Flip to back



2



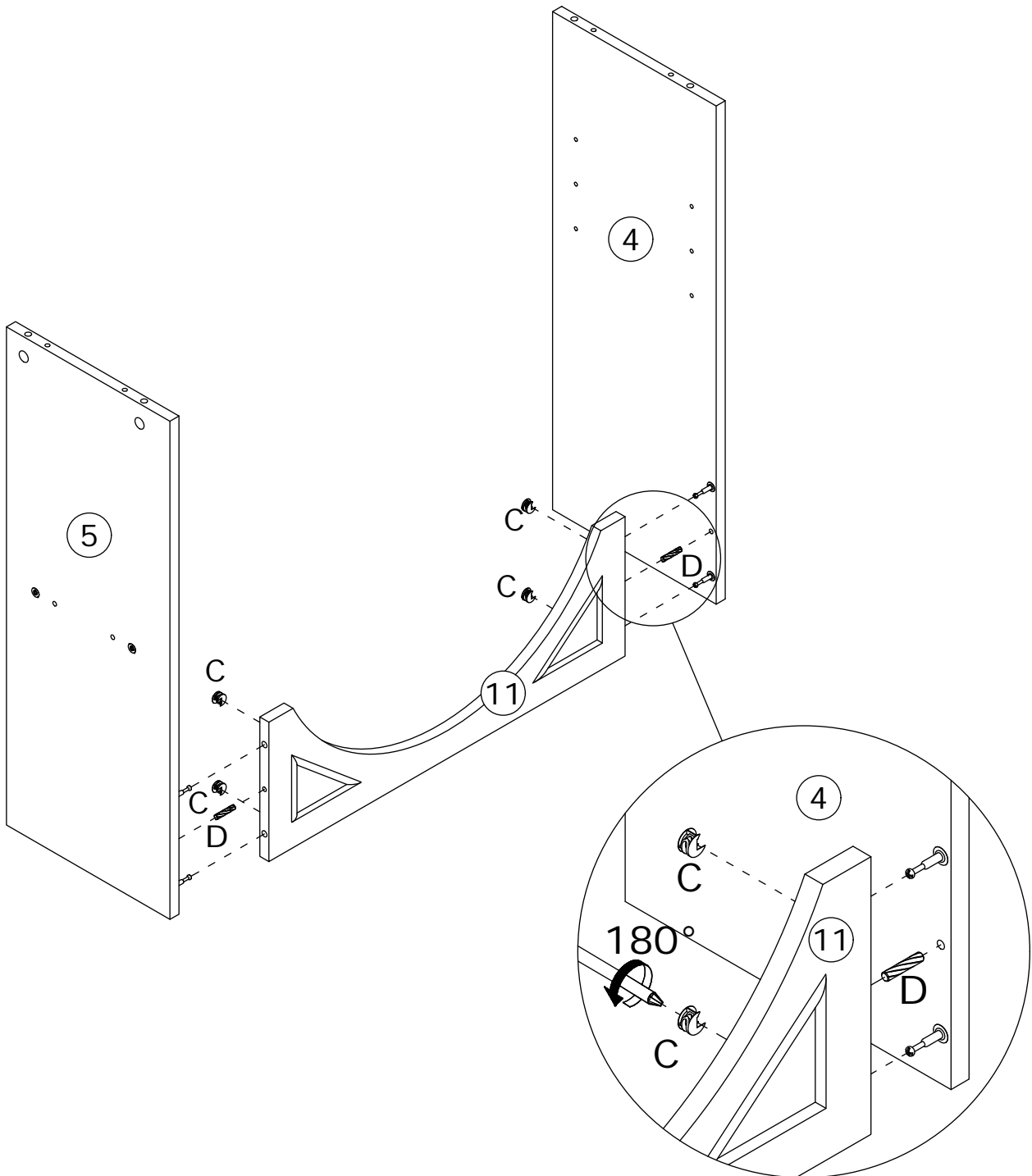
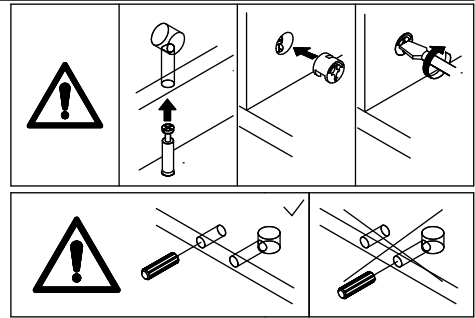
First install plug (B) onto panel 5, then screw the self-tapping rod (A) into.



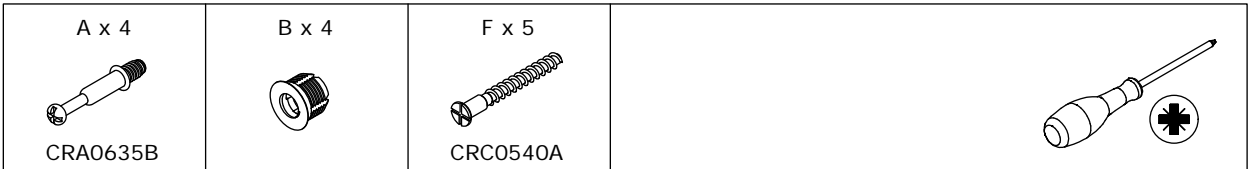
3

<p>C x 4</p>  <p>CRB1595A</p>	<p>D x 2</p>  <p>CRF0630A</p>	
--	--	---

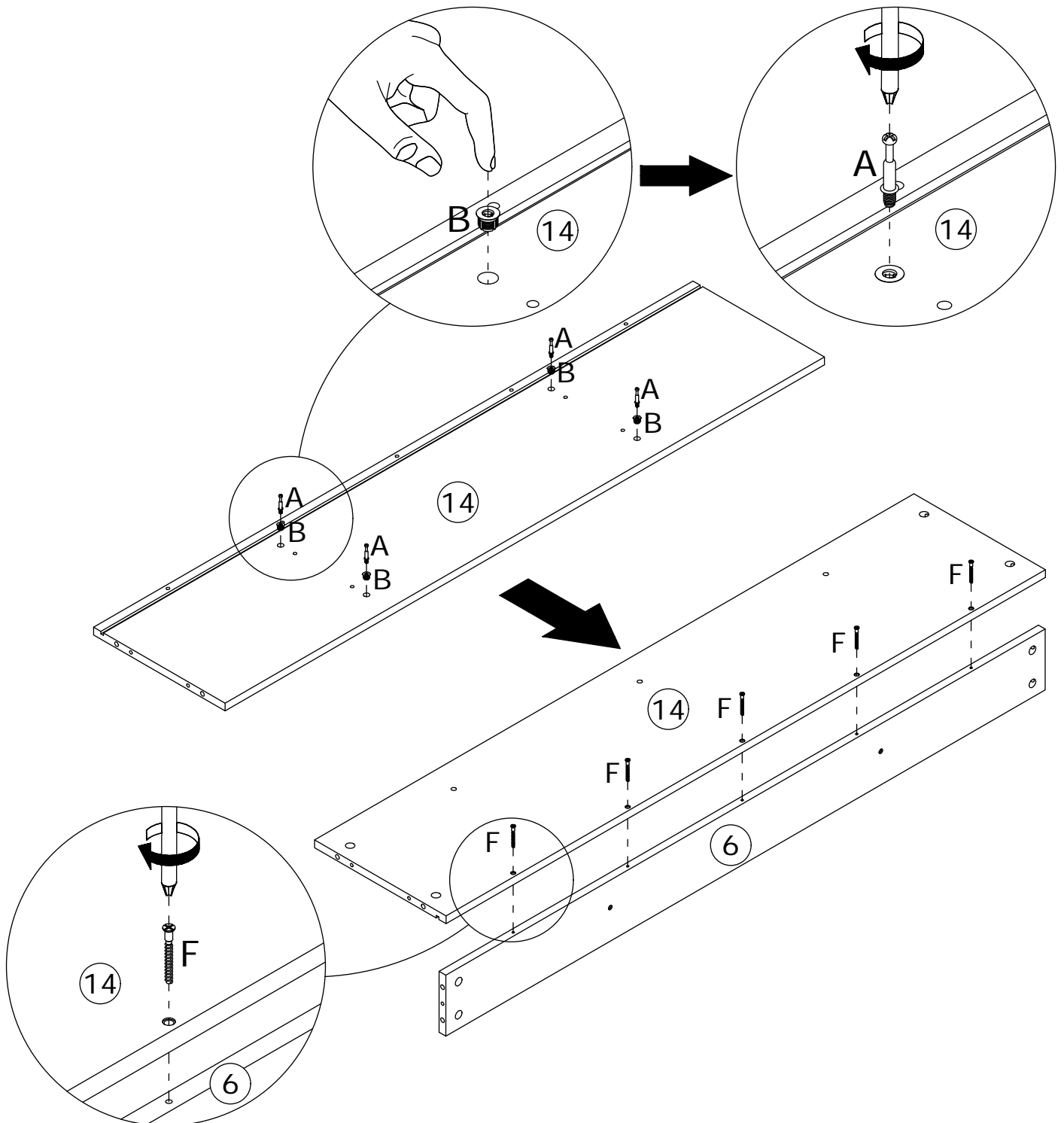
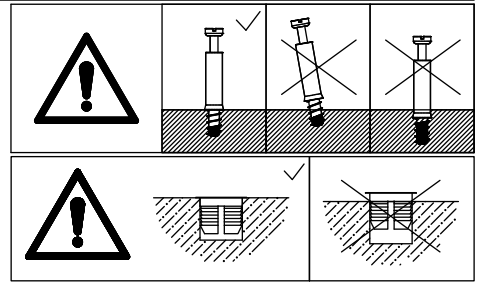
Attach panels 4 and 5 to panel 11 using dowels (D), then put the eccentric pulley (C) and tighten it by turning clockwise.



4




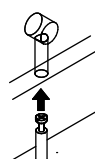
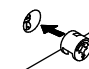


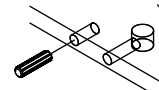
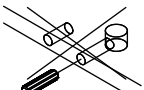
First install plug (B) onto panel 14, then screw the self-tapping rod (A) into. Connect panel 14 to panel 6 using screw (F).

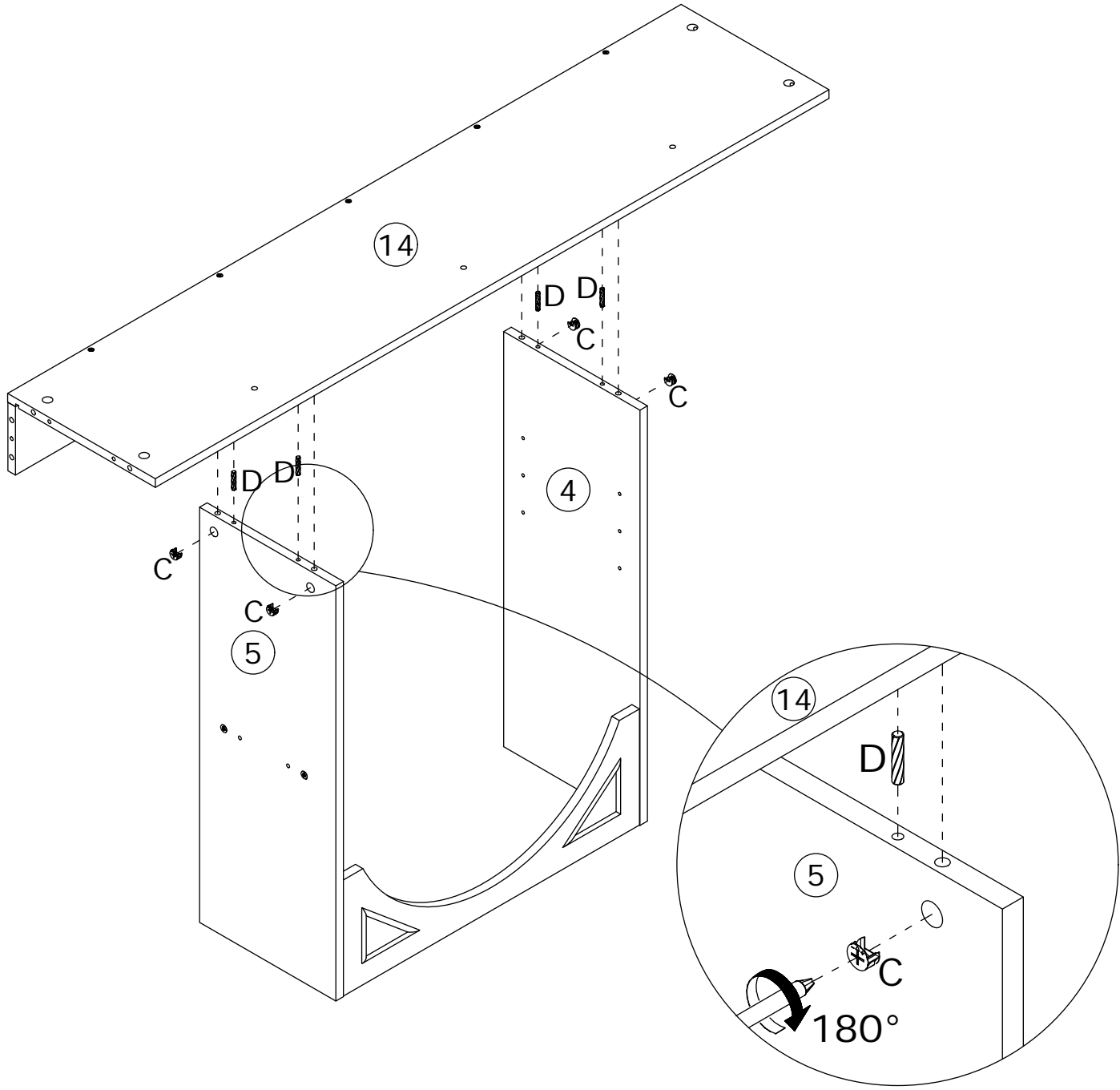


5

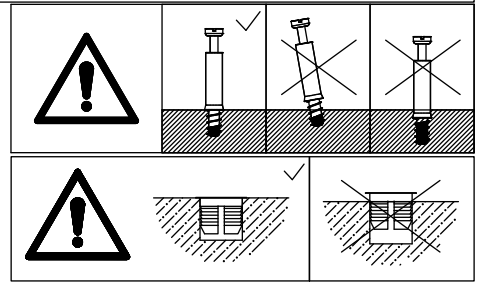
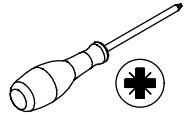
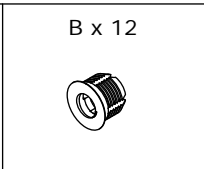
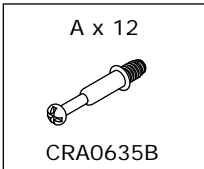
C x 4  CRB1595A	D x 4  CRF0630A	 
--	--	---

Connect panel 14 to panels 4 and 5 using dowels (D), then put the eccentric pulley (C) and tighten it by turning clockwise.

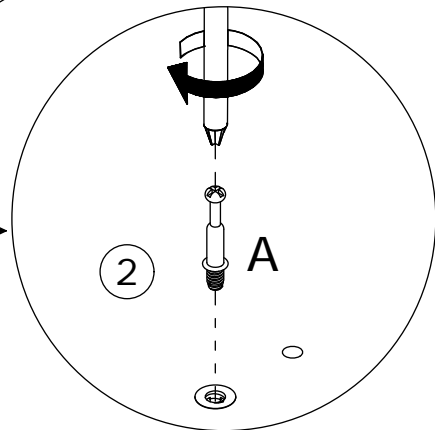
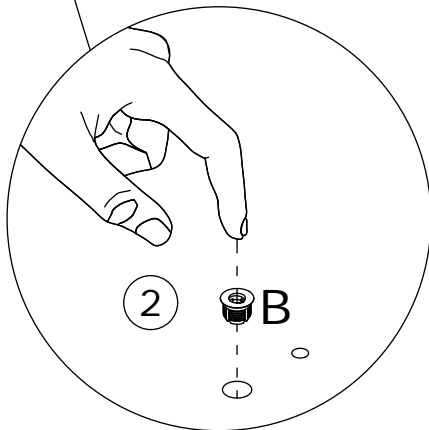
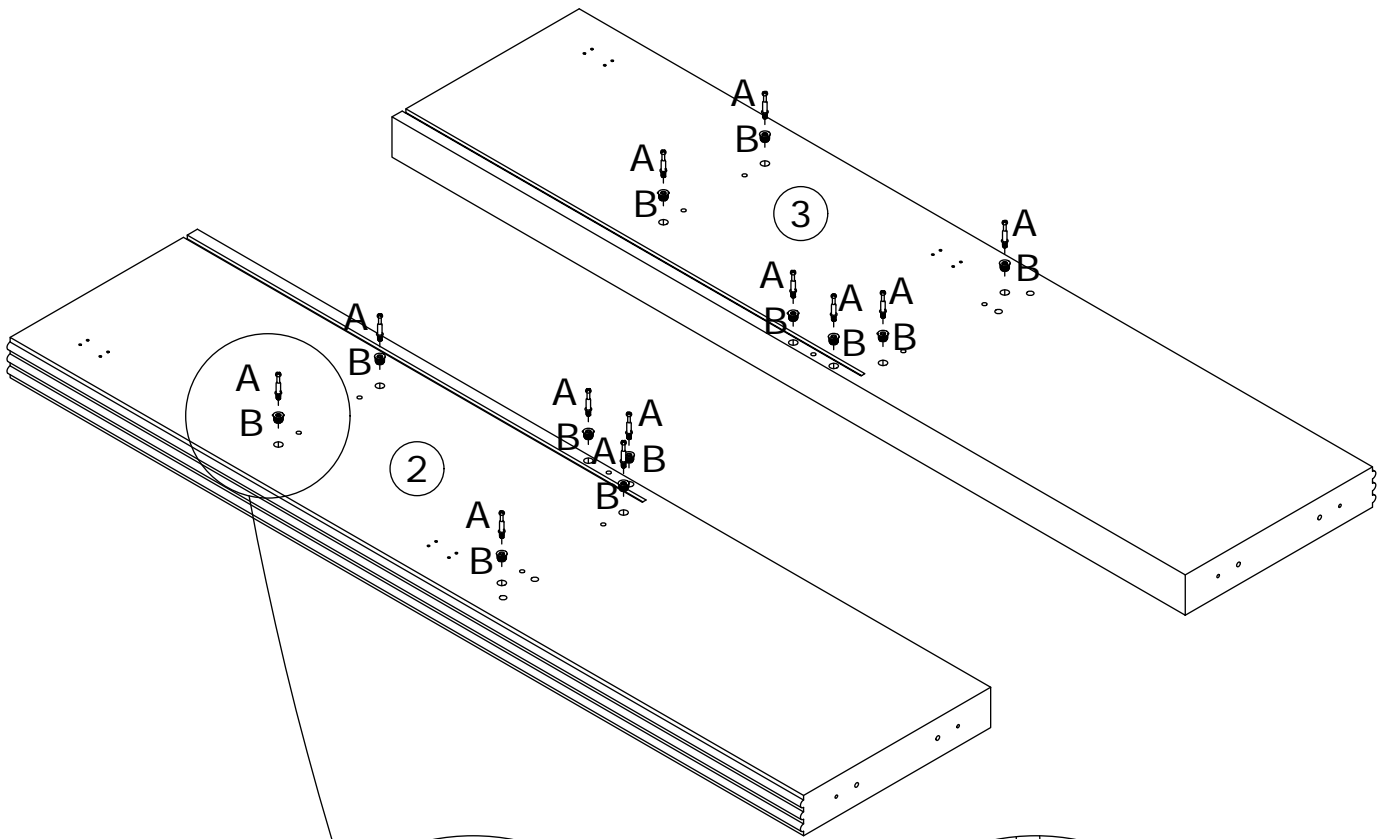
			
			



6

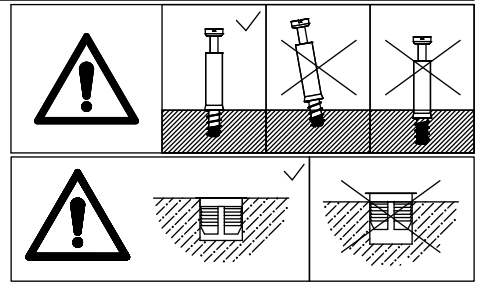
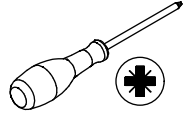


First install plug (B) onto panel 2 and panel 3, then screw the self-tapping rod (A) into.

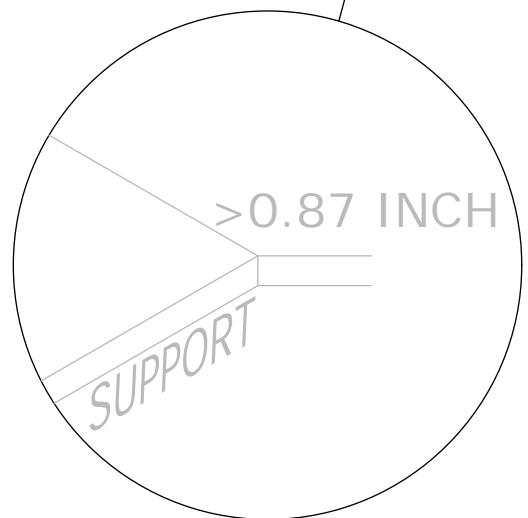
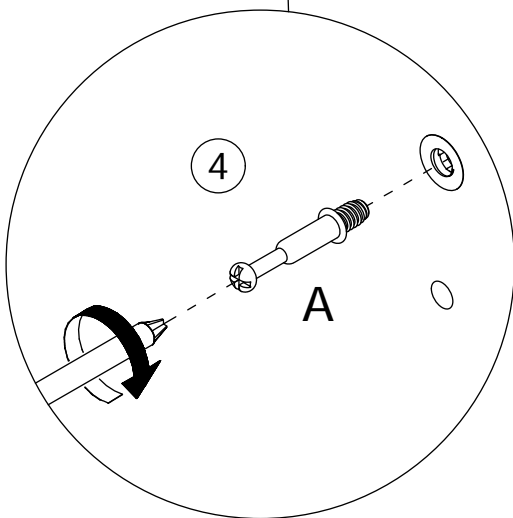
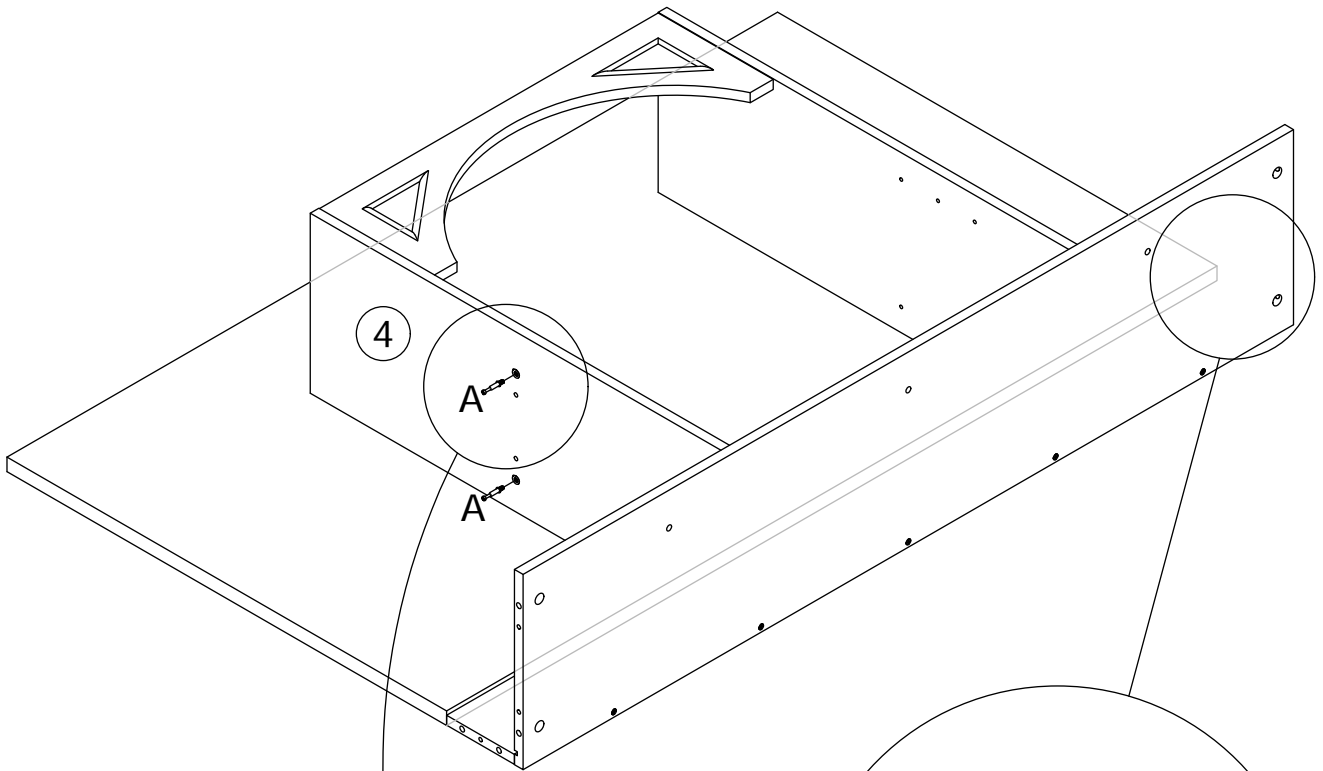


7

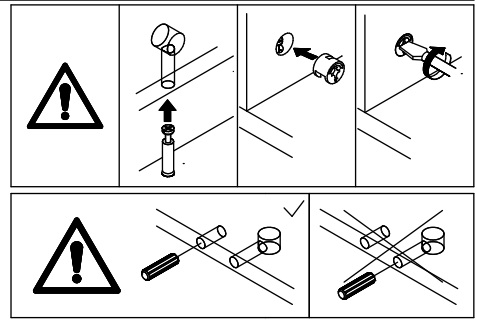
A x 2
CRA0635B



Screw the self-tapping rod (A) into panel 4.
Place a support pad thicker than 0.87 inches at the bottom.

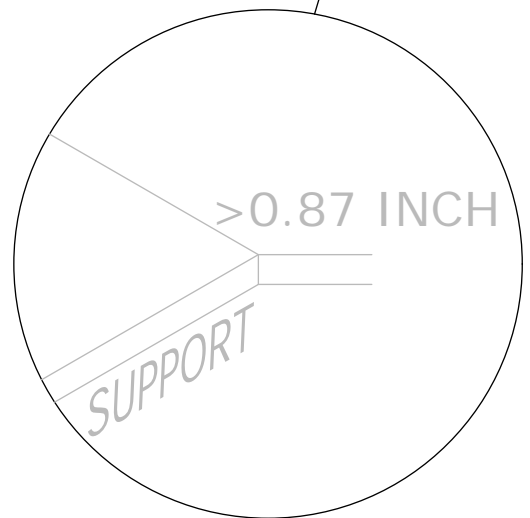
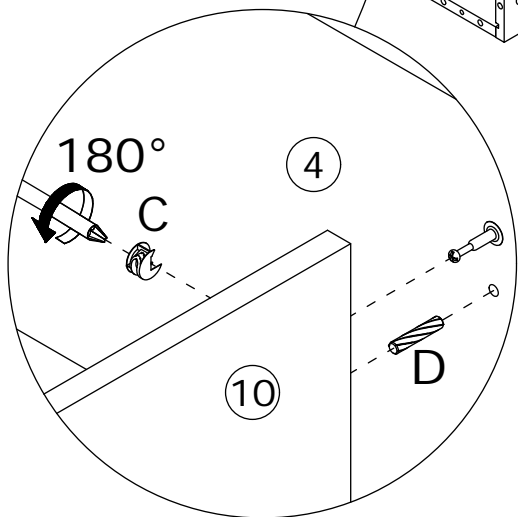
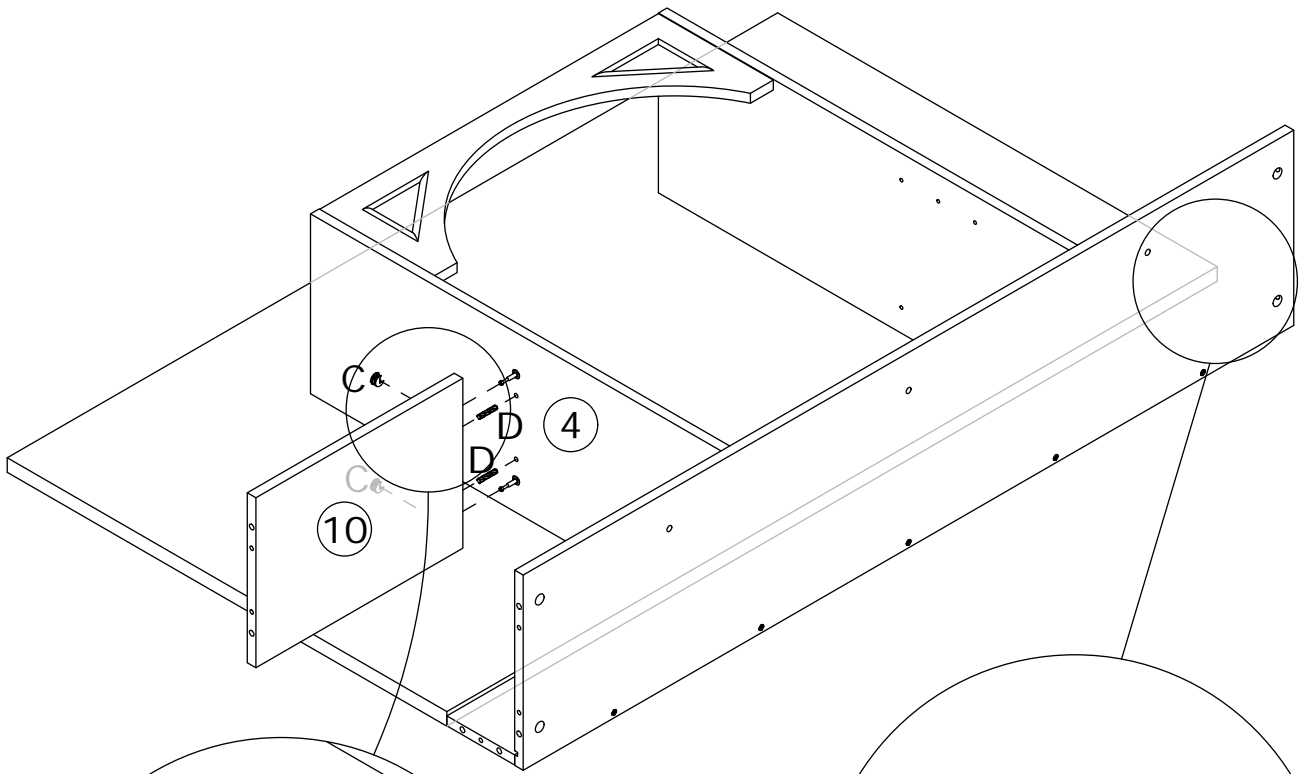


8



Connect panel 10 to panel 4 using dowels (D), then put the eccentric wheel (C) and tighten by turning clockwise.

Place a support pad thicker than 0.87 inches at the bottom.

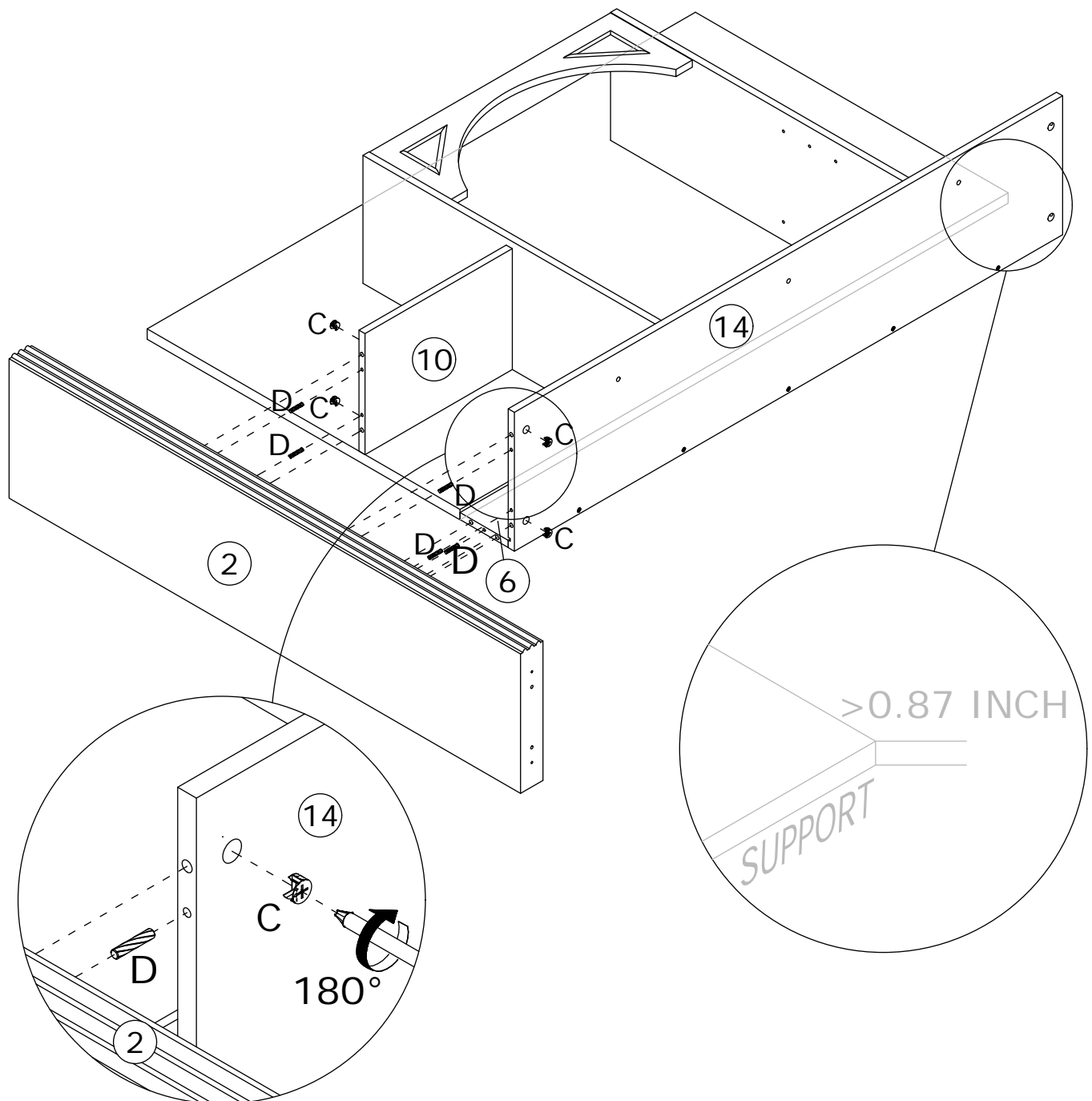
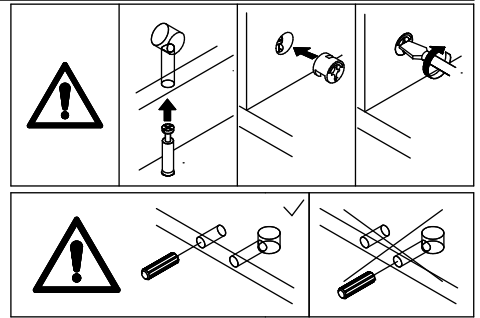


9

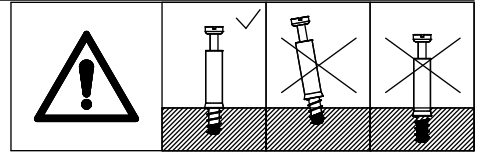
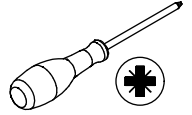
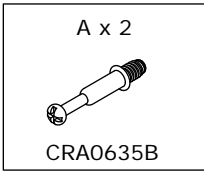


Connect panel 2 to panels 6, 10, and 14 using dowels (D), then put the eccentric wheel (C) and tighten by turning clockwise.

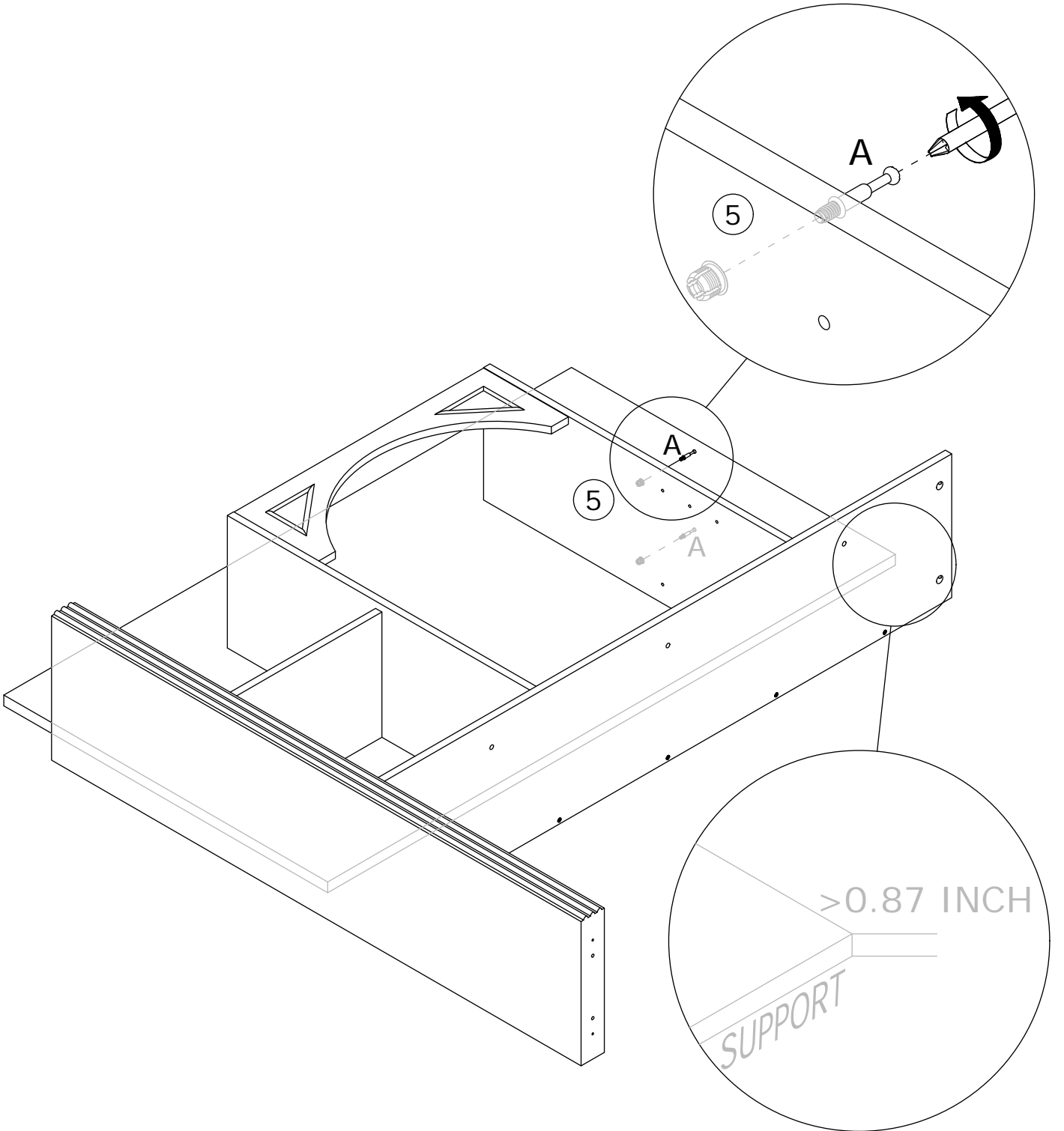
Place a support pad thicker than 0.87 inches at the bottom.



10



Screw the self-tapping rod (A) into panel 5.
Place a support pad thicker than 0.87 inches at the bottom.

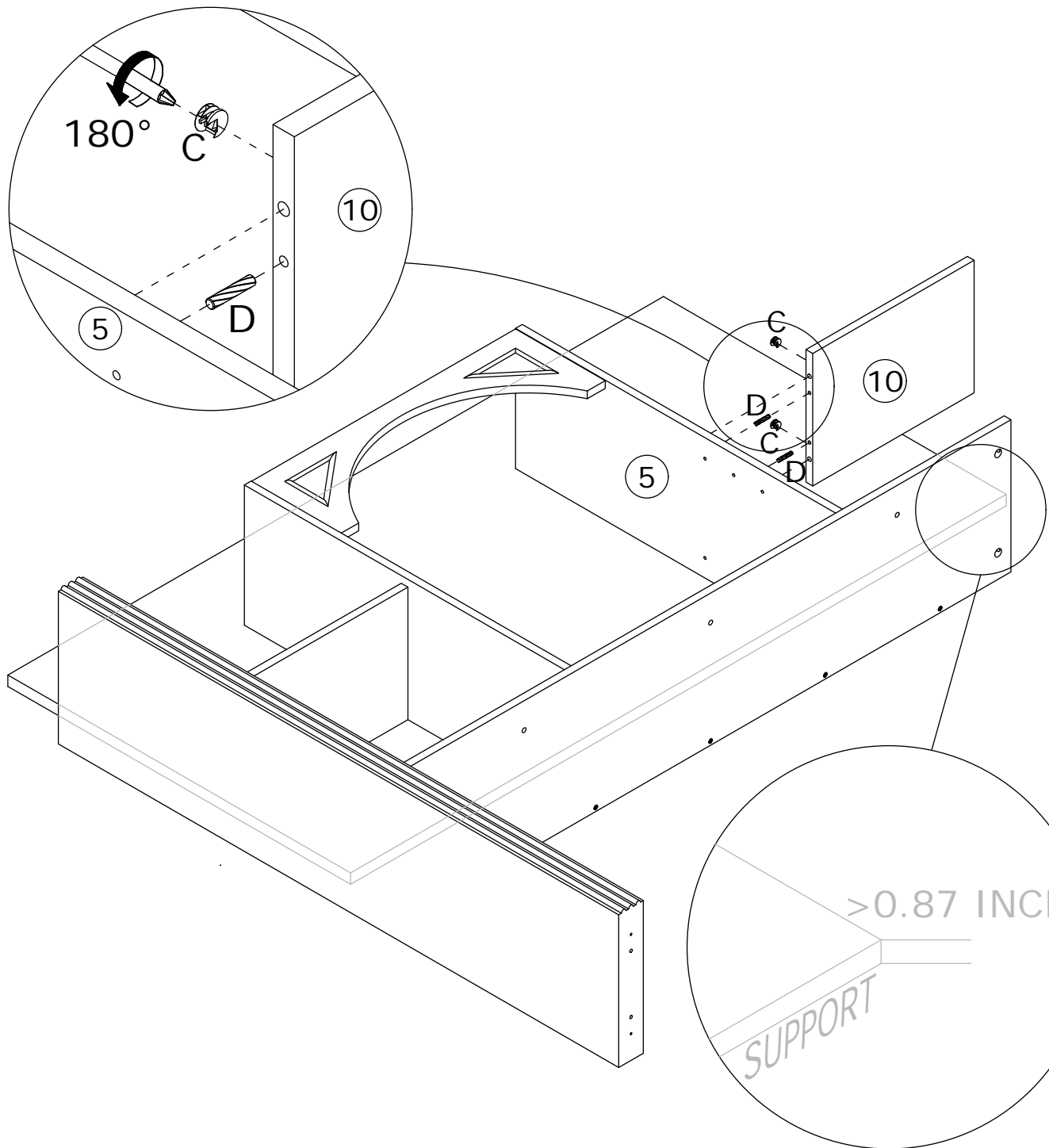
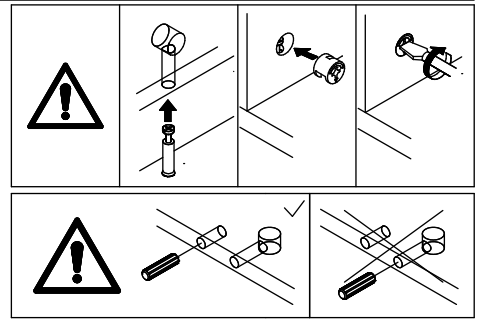


11

C x 2  CRB1595A	D x 2  CRF0630A	 
--	--	---

Connect panel 10 to panel 5 using dowels (D), then put the eccentric wheel (C) and tighten by turning clockwise.

Place a support pad thicker than 0.87 inches at the bottom.

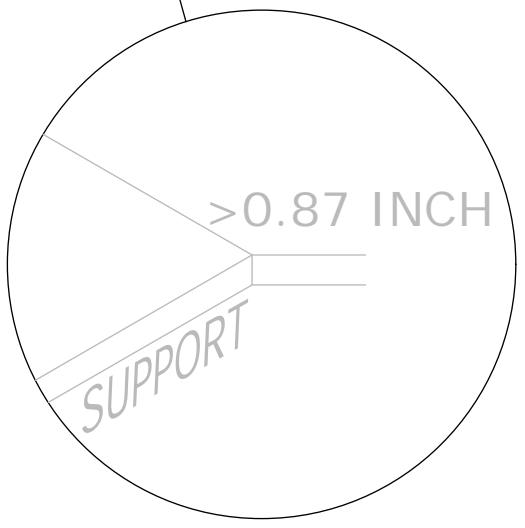
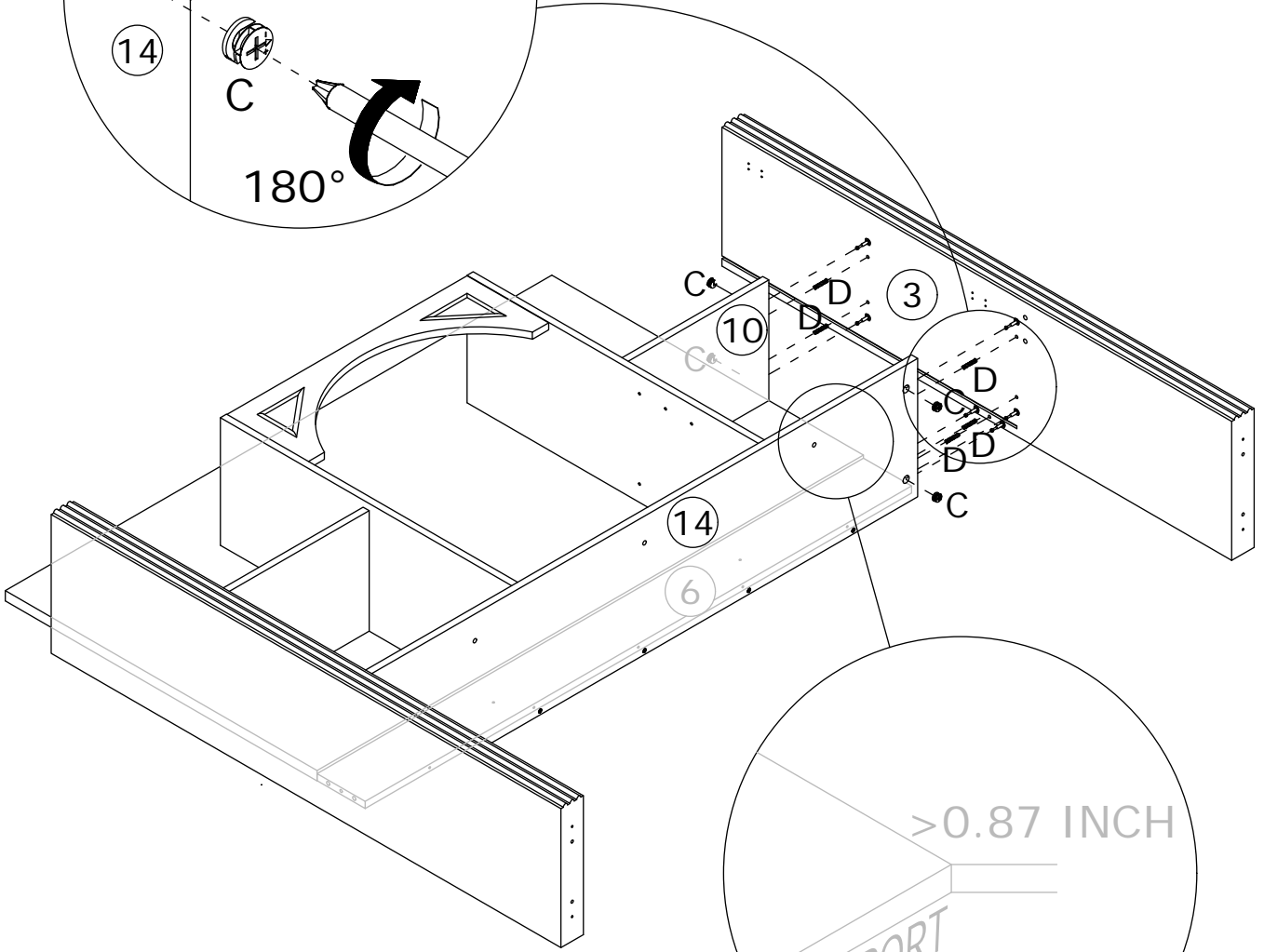
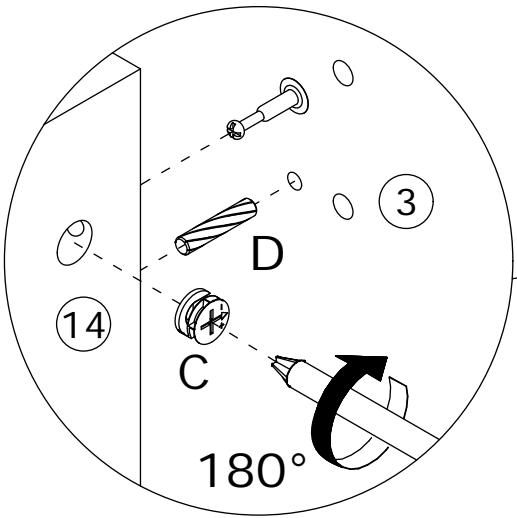
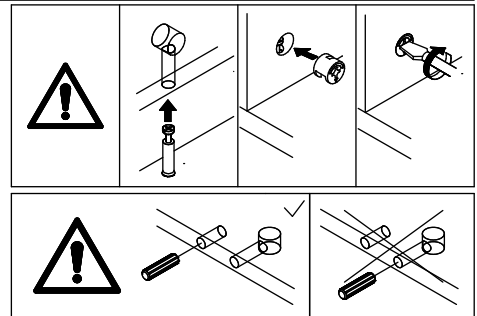


12

C x 4  CRB1595A	D x 5  CRF0630A	
--	--	---

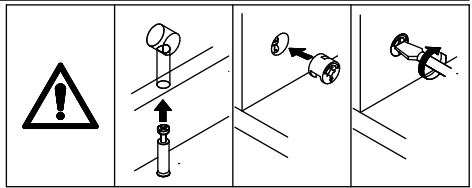
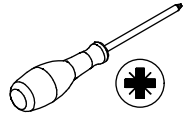
Connect panel 3 to panels 6, 10, and 14 using dowels (D), then put the eccentric wheel (C) and tighten by turning clockwise.

Place a support pad thicker than 0.87 inches at the bottom.

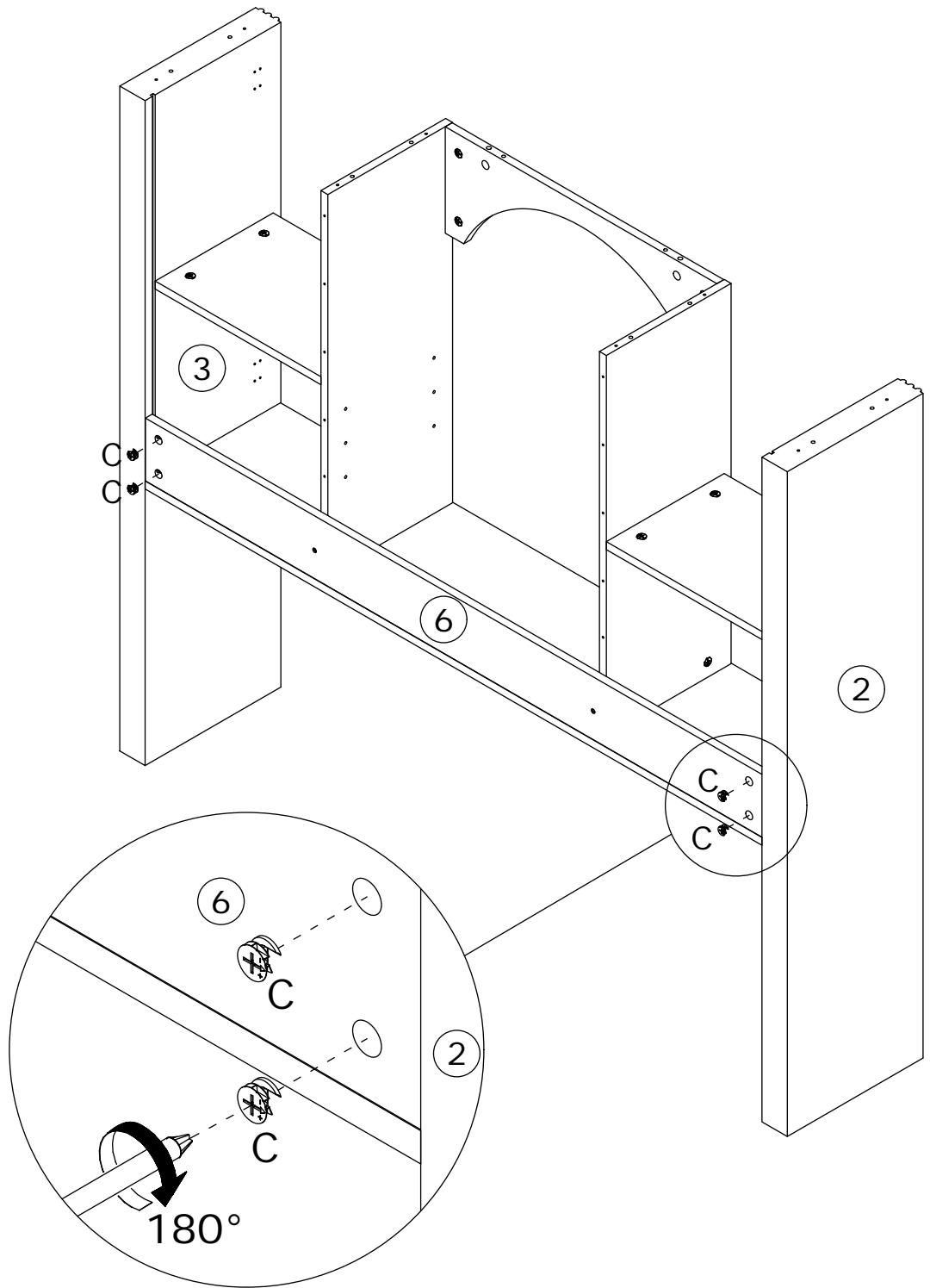


13

C x 4
CRB1595A

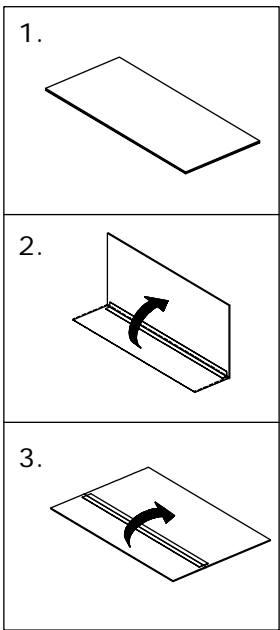
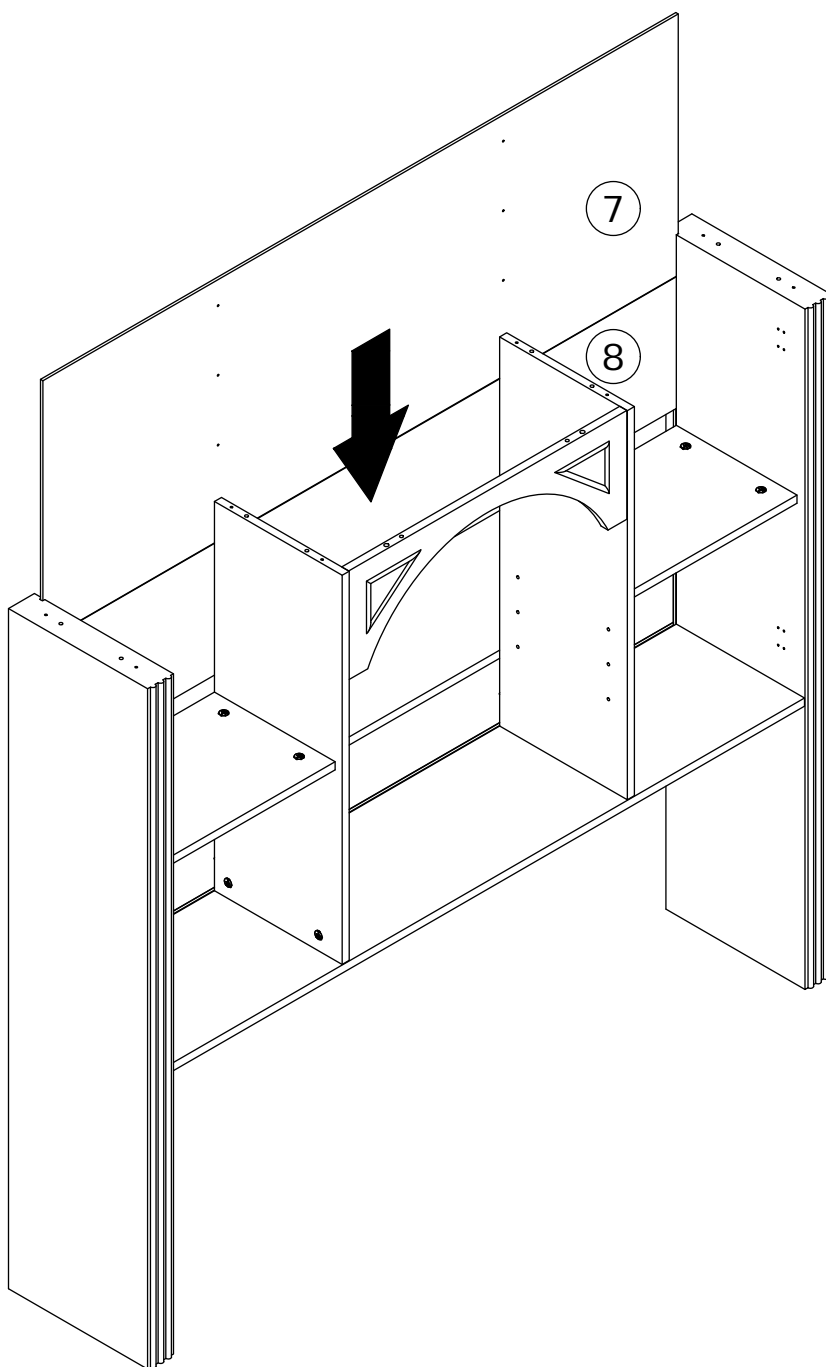


Put the eccentric wheel (C) into panel 6 and tighten it by turning clockwise.



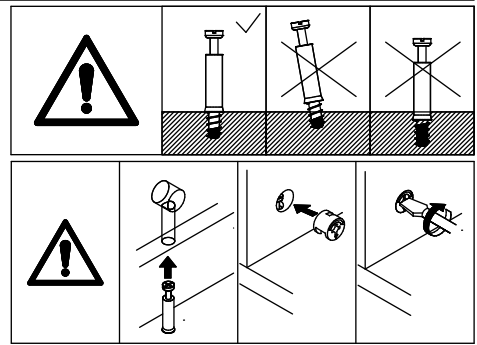
14

Insert panels 7 and 8 into the available slots.

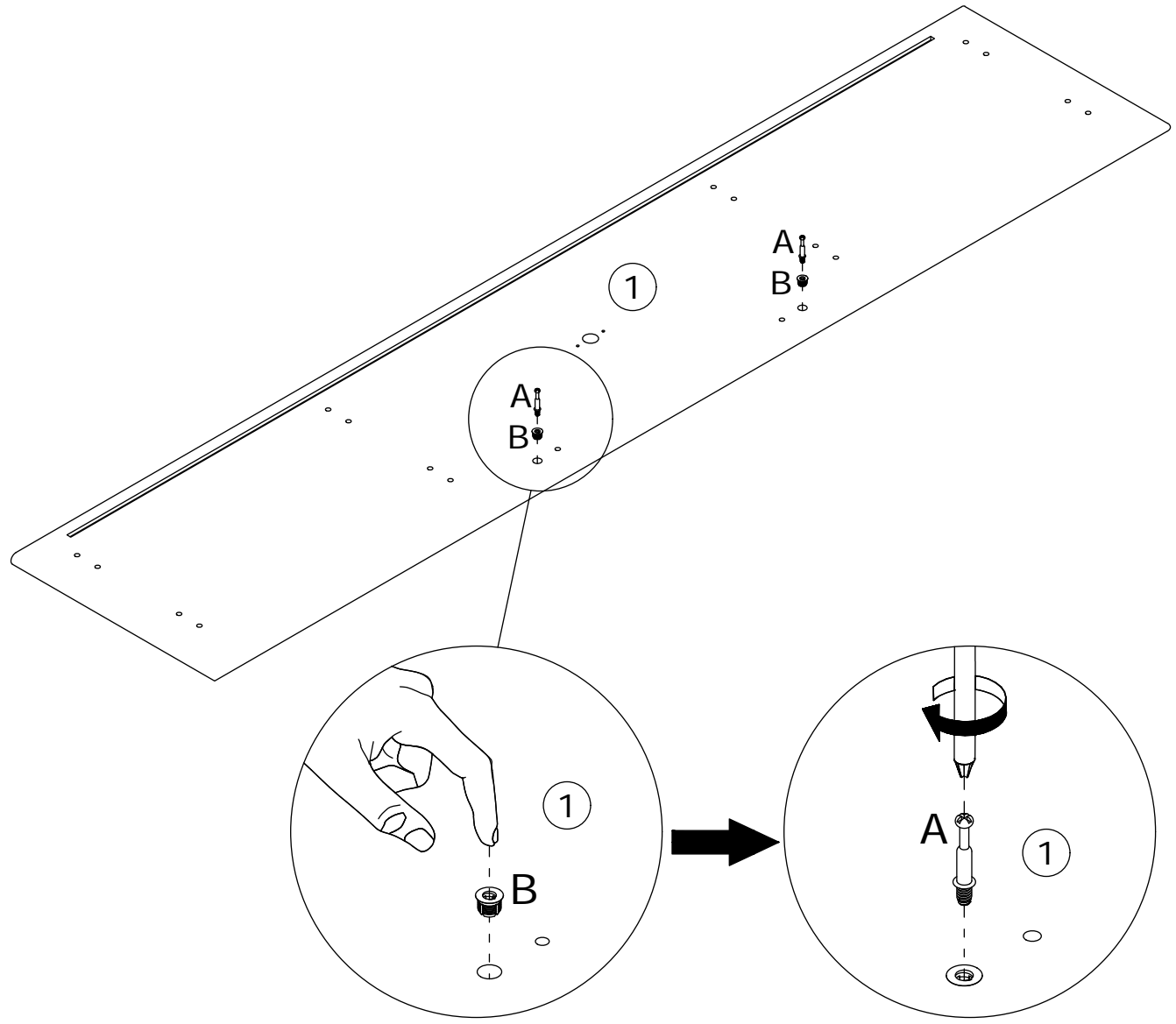


15



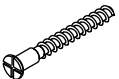
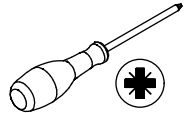
A x 2  CRA0635B	B x 2 	
--	--	---



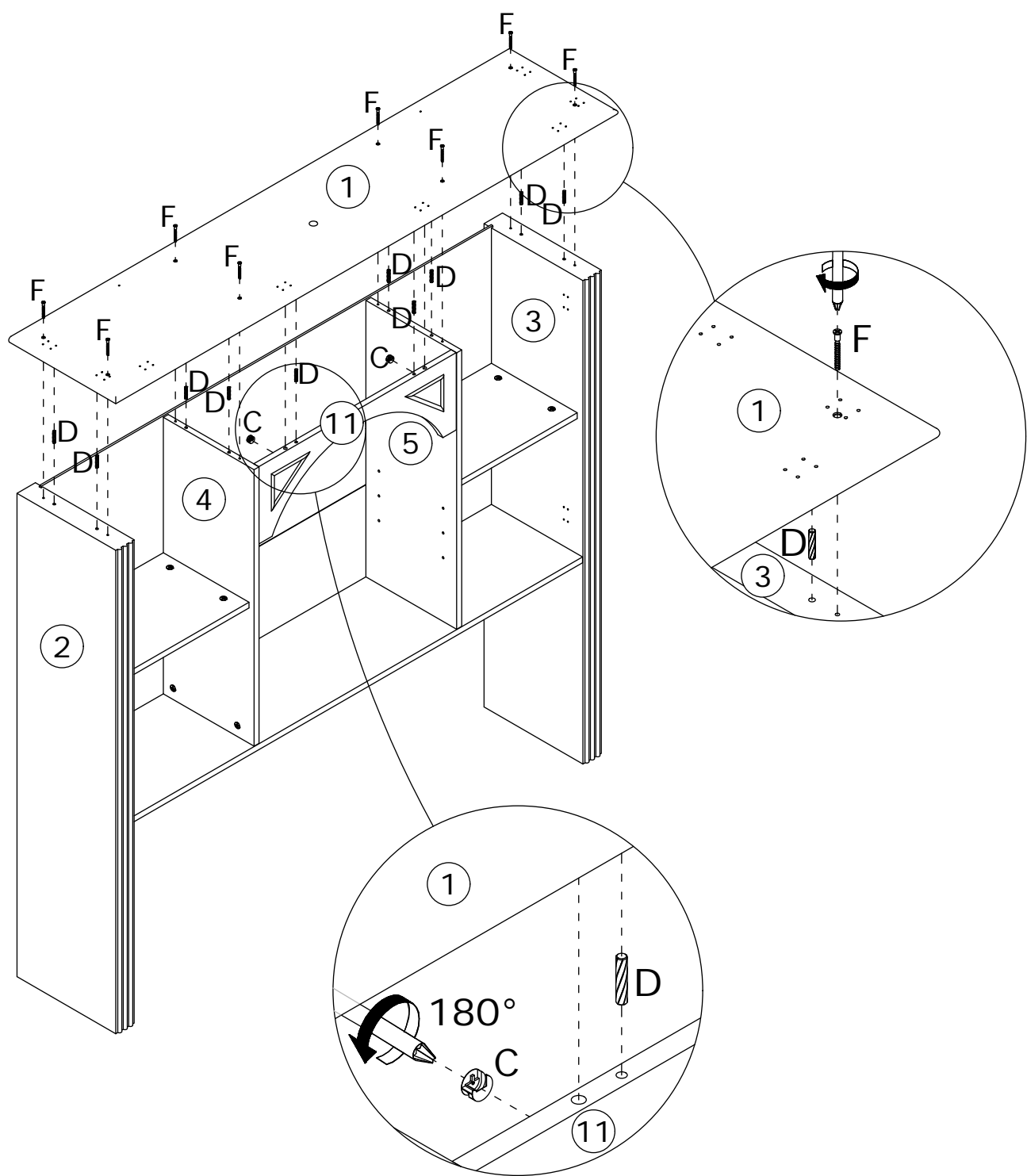
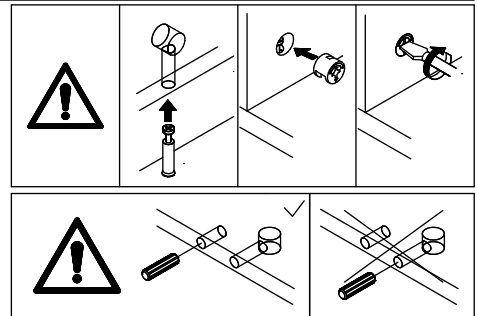
First install plug (B) onto panel 1, then screw the self-tapping rod (A) into.



16

C x 2  CRB1595A	D x 10  CRF0630A	F x 8  CRC0540A	
--	---	--	---

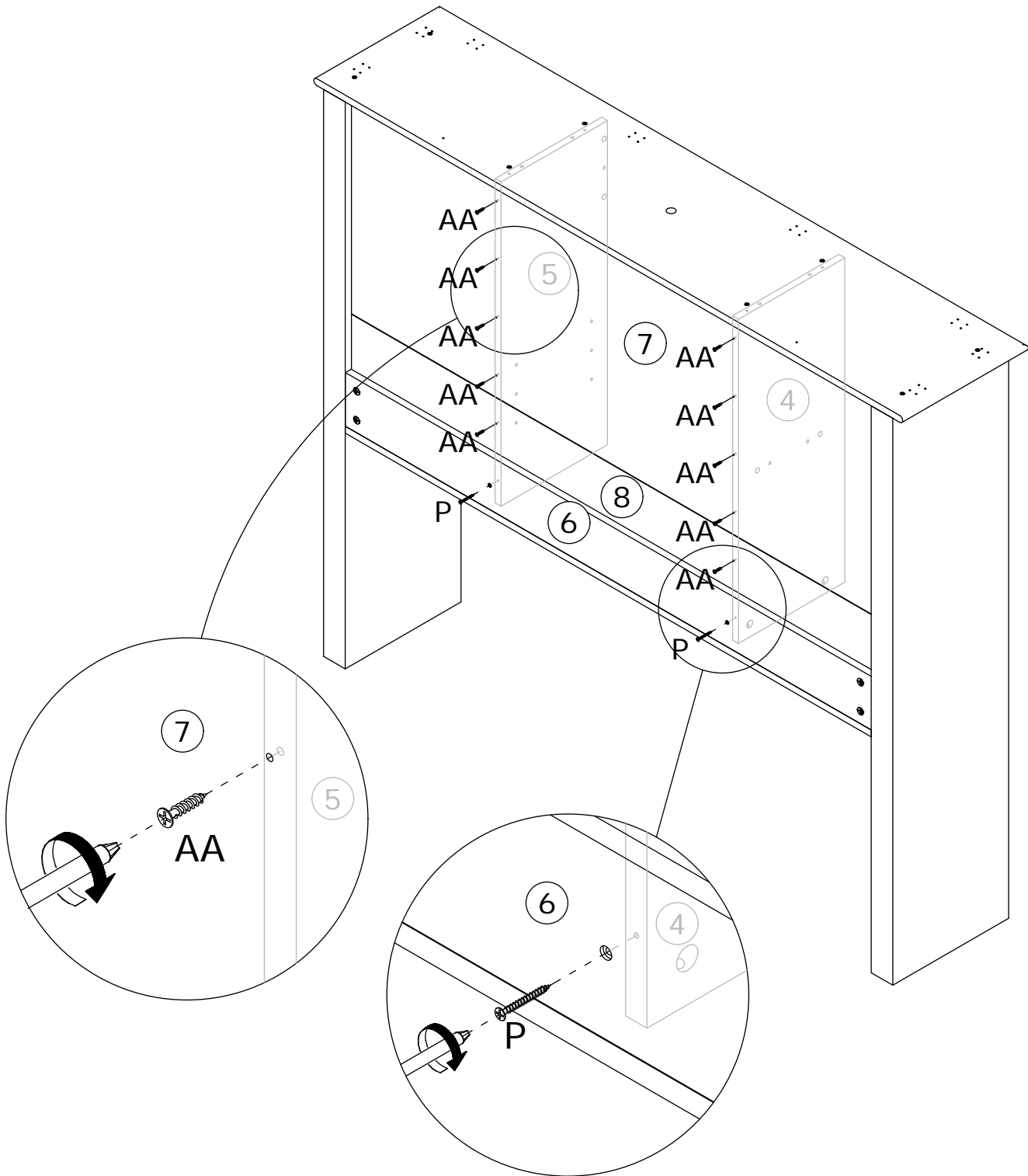
Connect panel 1 to panels 2, 3, 4, and 5 using dowels (D), then secure with screws (F).
Connect panel 1 to panel 11 using dowels (D), then put the eccentric wheel (C) and tighten by turning clockwise.



17



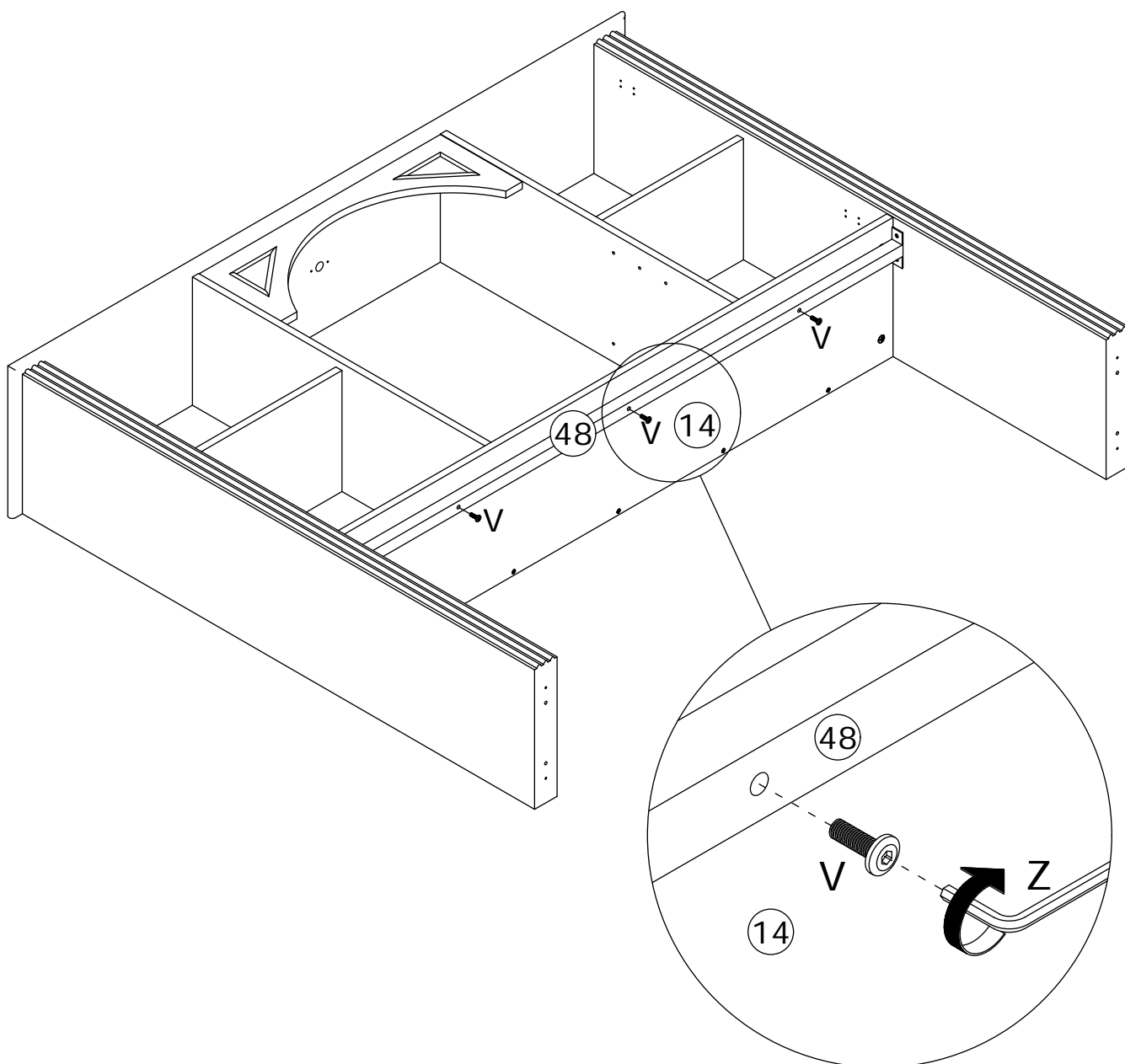
Secure panels 7 and 8 to panels 4 and 5 using screws (AA).
Secure panels 6 and 8 to panels 4 and 5 using screws (P).



18

<p>V x 3</p>  <p>CRG0635A</p>	<p>Z x 1</p> 	
--	--	--

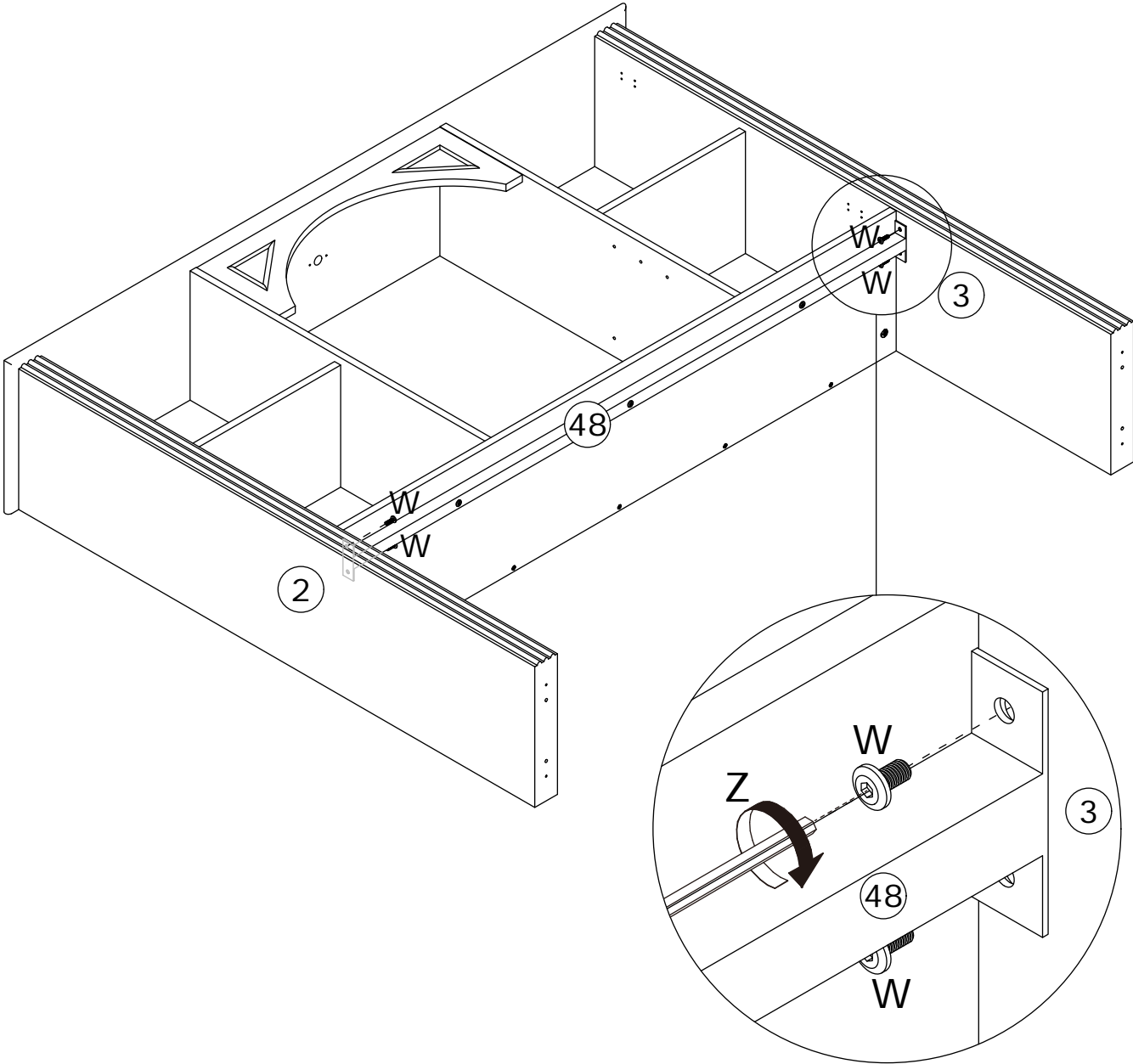
Attach pipe (48) to panel 14 using screws (V).



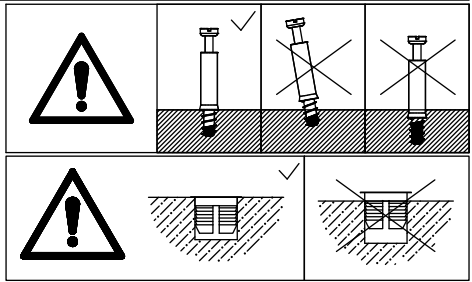
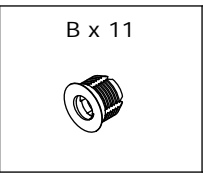
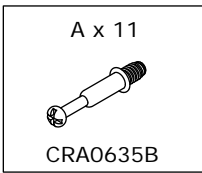
19

<p>W x 4</p>  <p>CRG0612A</p>	<p>Z x 1</p> 	
--	--	--

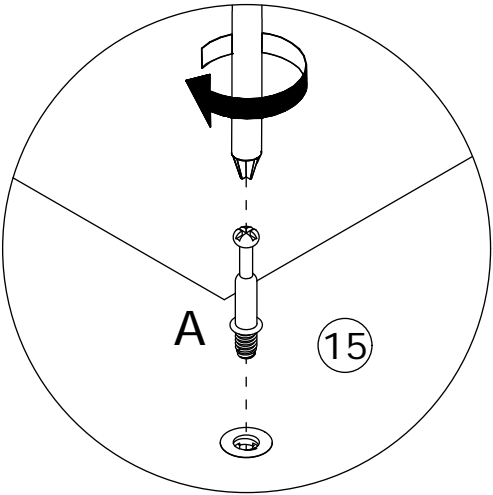
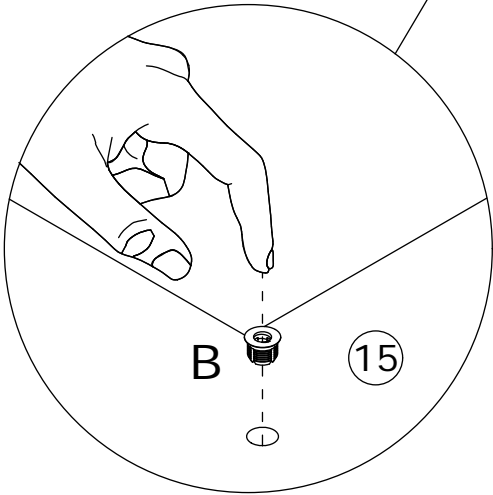
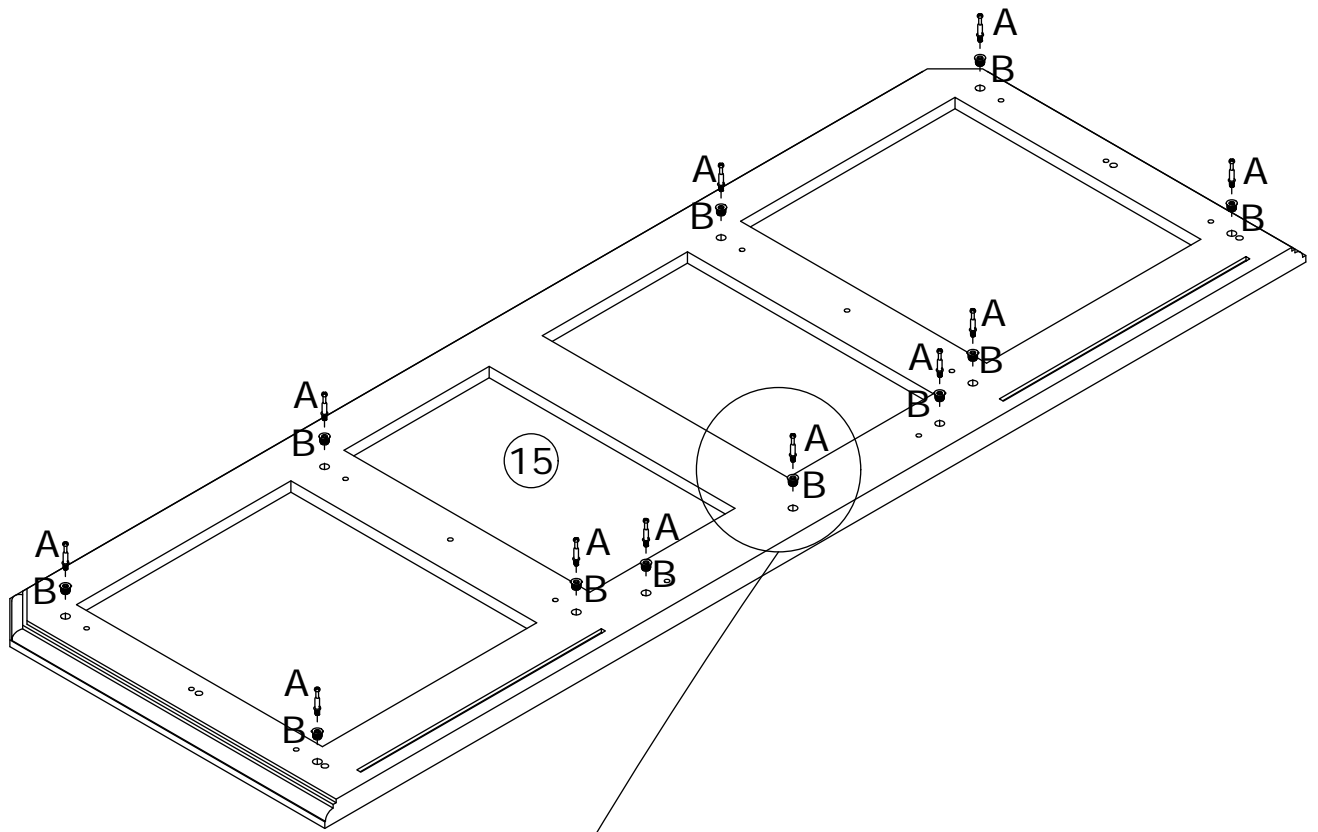
Attach component (48) to panels 2 and 3 using screws (W).



20

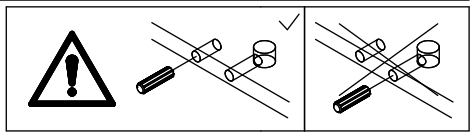


First install plug (B) onto panel 15, then screw the self-tapping rod (A) into.

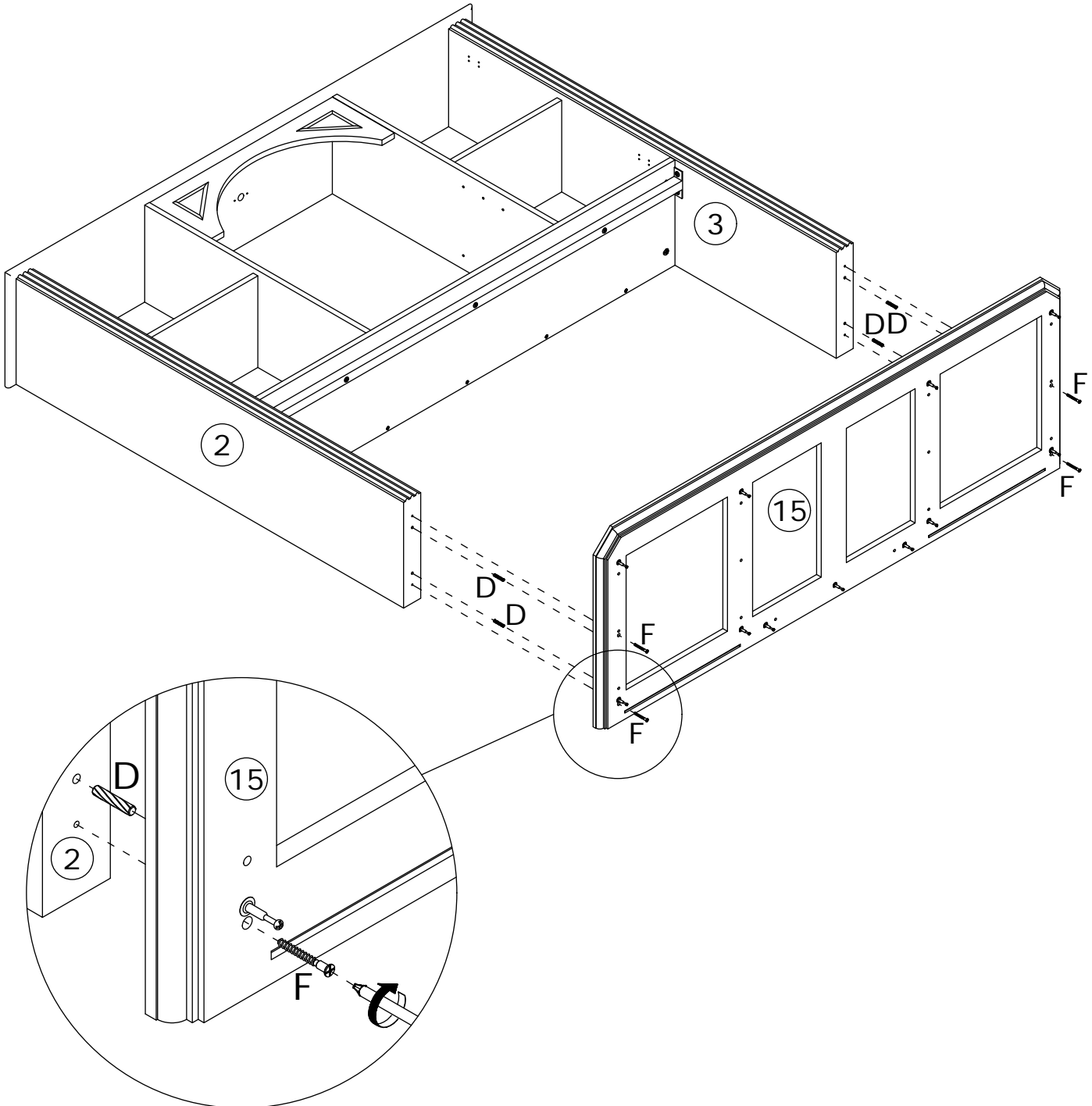


21




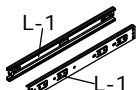
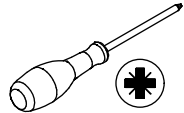
<p>D x 4</p>  <p>CRF0630A</p>	<p>F x 4</p>  <p>CRC0540A</p>	
--	--	---



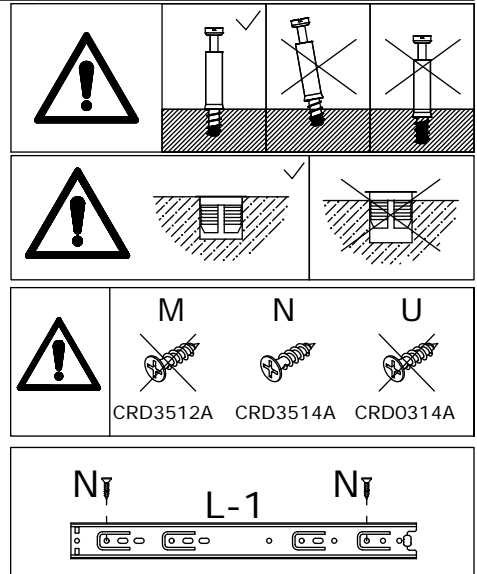
Connect panel 15 to panels 2 and 3 using dowels (D), and secure with screws (F).



22

<p>A x 12 CRA0635B</p> 	<p>B x 12</p> 	<p>N x 16 CRD3514A</p> 	<p>L x 4 #3508 14"</p> 	
--	---	--	---	---

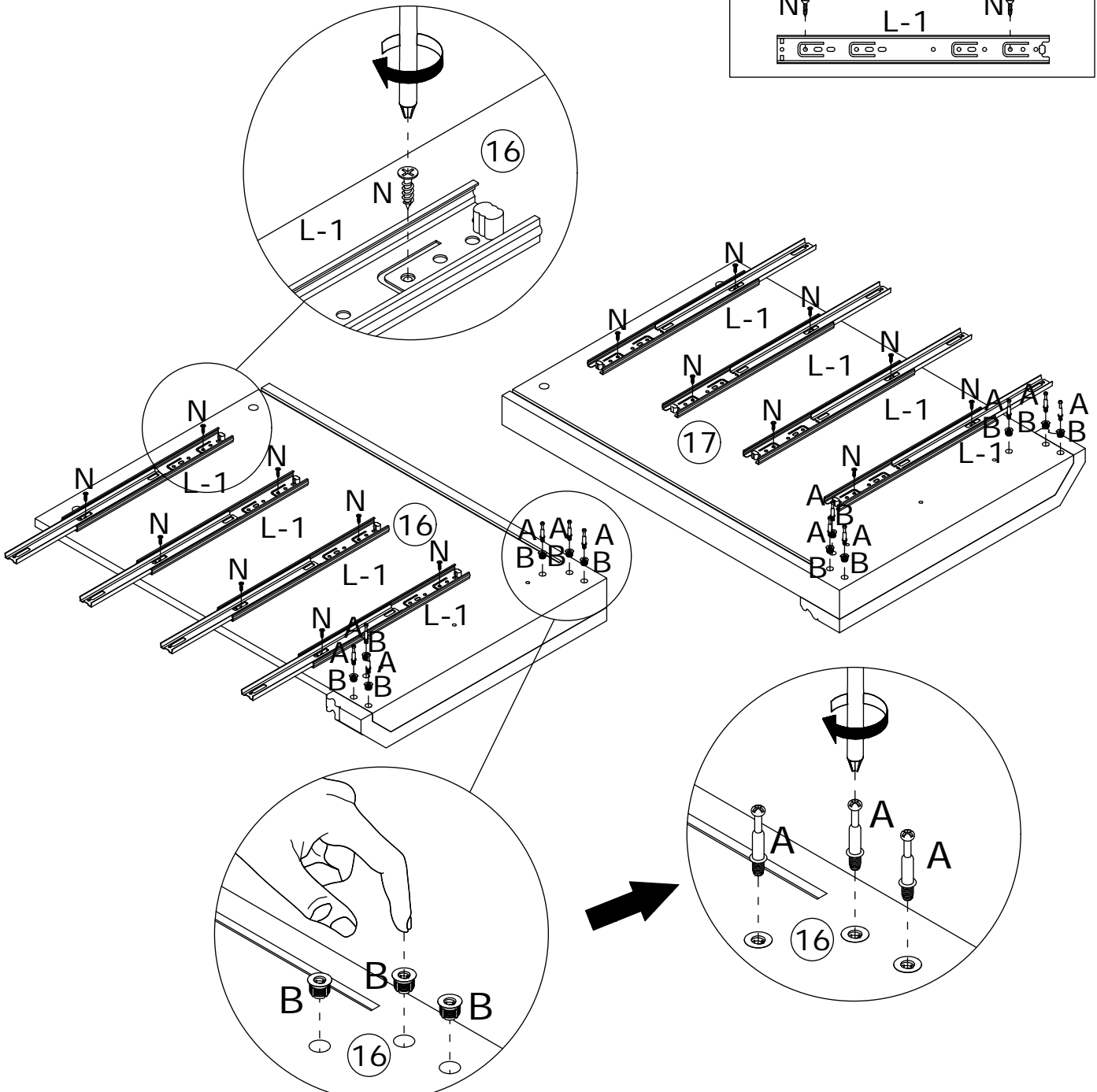
First install plug (B) onto panels 16 and 17, then screw the self-tapping rod (A) into. Secure slide rail (L-1) to panels 16 and 17 using screws (N).







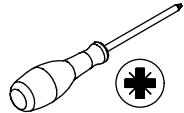
Warning diagrams illustrating correct and incorrect installation methods for screws and slide rails. The diagrams show:

- Warning 1: Correct installation of a screw into a panel. Incorrect methods include driving a screw into a hole that is too shallow or using a screw with a sharp point.
- Warning 2: Correct installation of a slide rail into a panel. Incorrect methods include driving a slide rail into a hole that is too shallow or using a slide rail with a sharp edge.
- Warning 3: Correct installation of screws M, N, and U. Incorrect methods include using screws M and U instead of N.

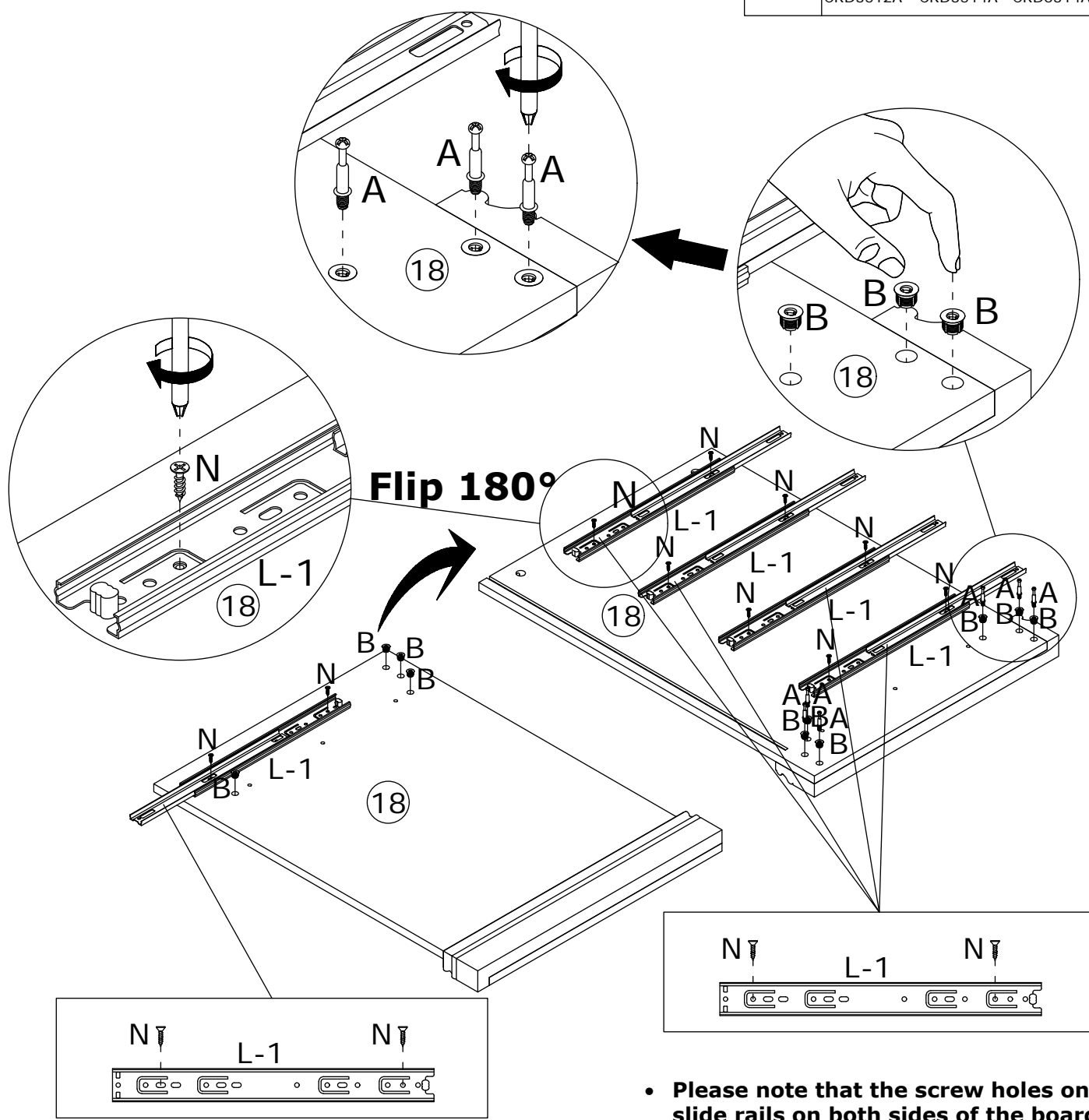
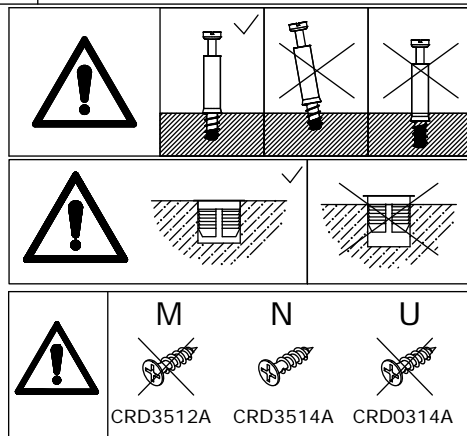
 A diagram below shows the correct installation of screws N into the slide rail L-1.



23





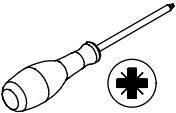
<p>A x 6 CRA0635B</p> 	<p>B x 10</p> 	<p>N x 10 CRD3514A</p> 	<p>L x 5 L-1 #3508 14"</p> 	
---	---	--	---	---

First install plug (B) onto panel 18, then screw self-tapping rod (A) into. Secure slide rail (L-1) to panel 18 using screws (N).

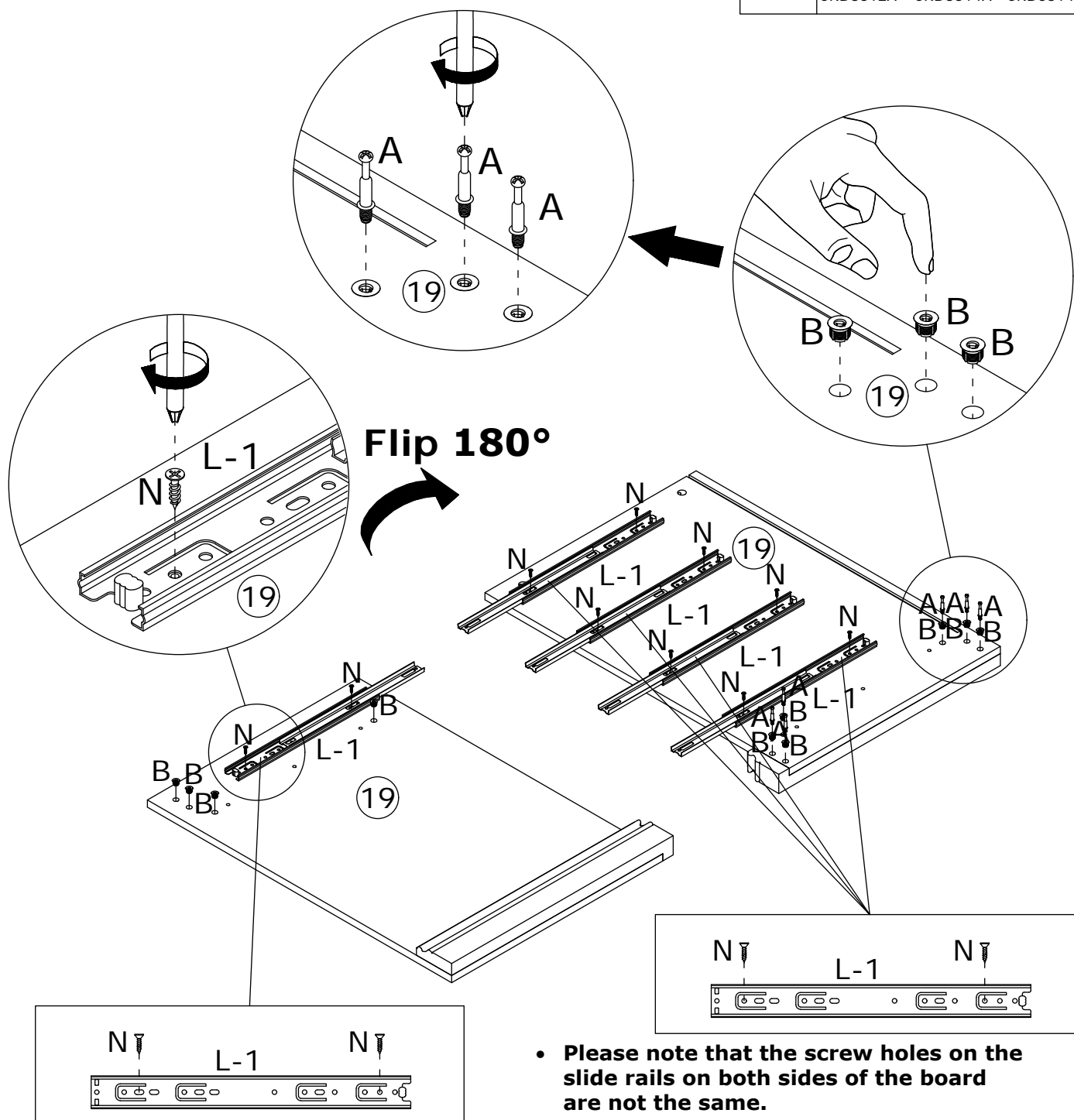
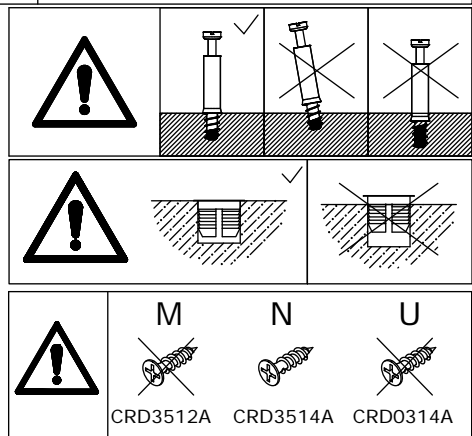


• Please note that the screw holes on the slide rails on both sides of the board are not the same

24





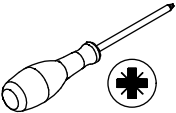
<p>A x 6 CRA0635B</p> 	<p>B x 10</p> 	<p>N x 10 CRD3514A</p> 	<p>L x 5 L-1 #3508 14"</p> 	
---	---	--	---	---

First install plug (B) onto panel 19, then screw self-tapping rod (A) into.
Secure slide rail (L-1) to panel 19 using screws (N).

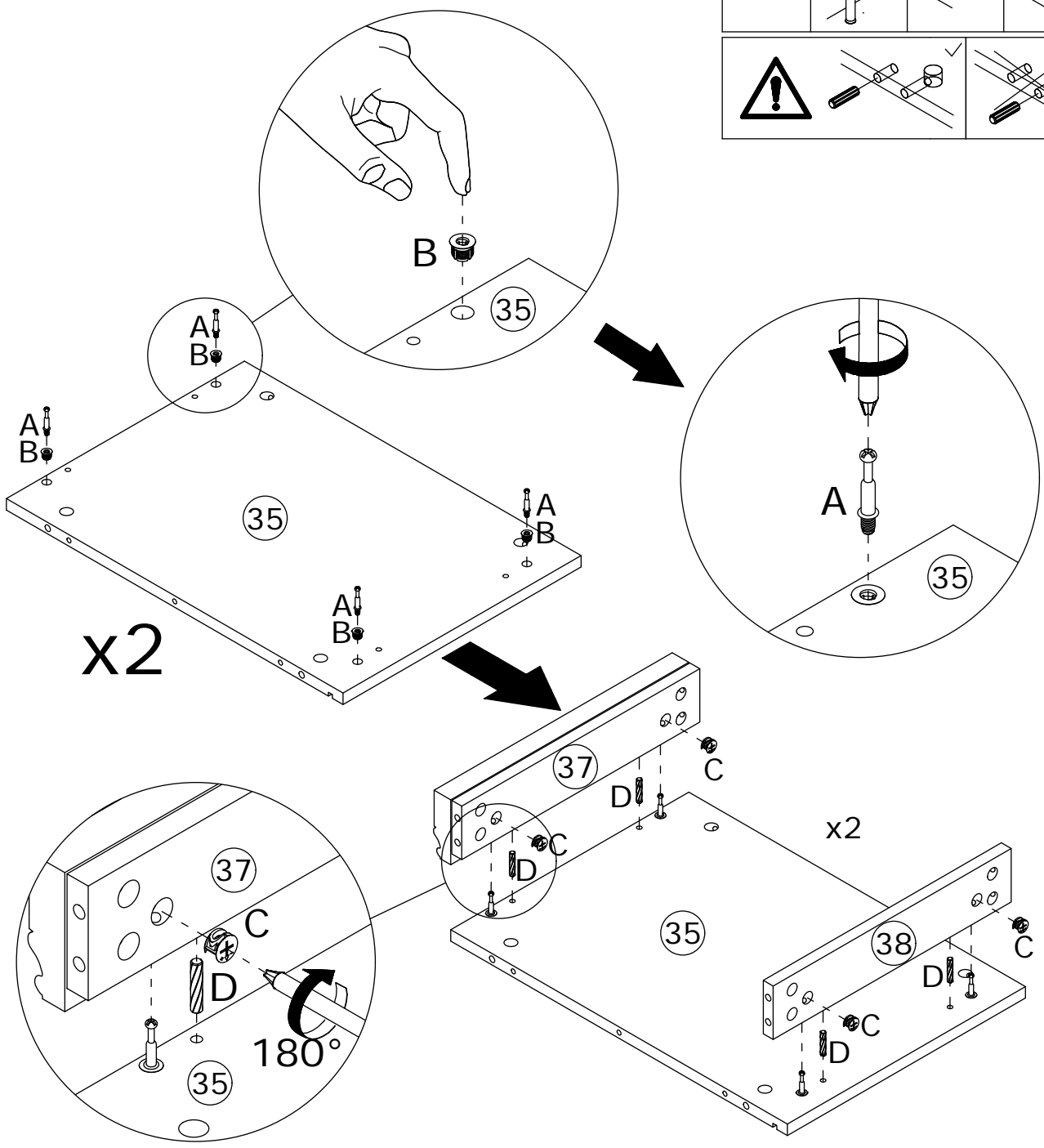
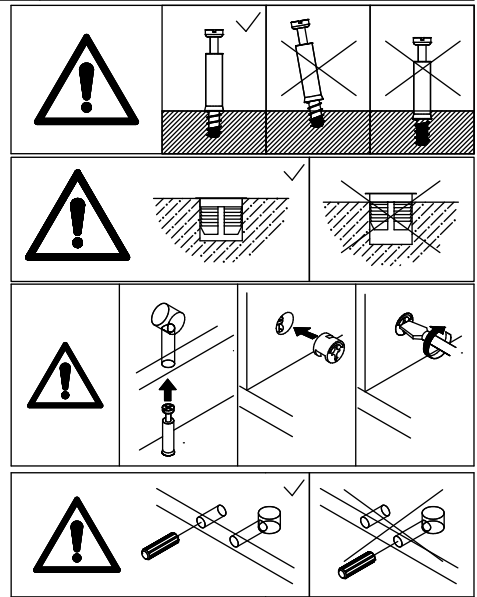


• Please note that the screw holes on the slide rails on both sides of the board are not the same.

25

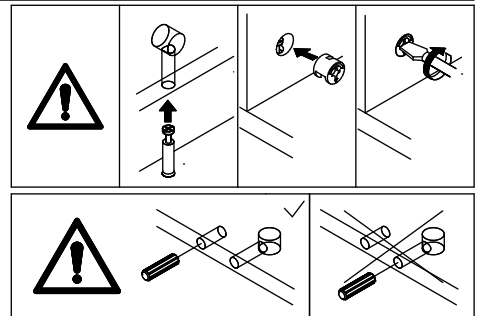
A x 8  CRA0635B	B x 8  CRB1595A	C x 8  CRB1595A	D x 8  CRF0630A	
--	--	--	---	---

First install plug (B) onto panel 35, then screw self-tapping rod (A) into.
Connect panels 37 and 38 to panel 35 using dowels (D), then put the eccentric wheel (C) and tighten by turning clockwise.

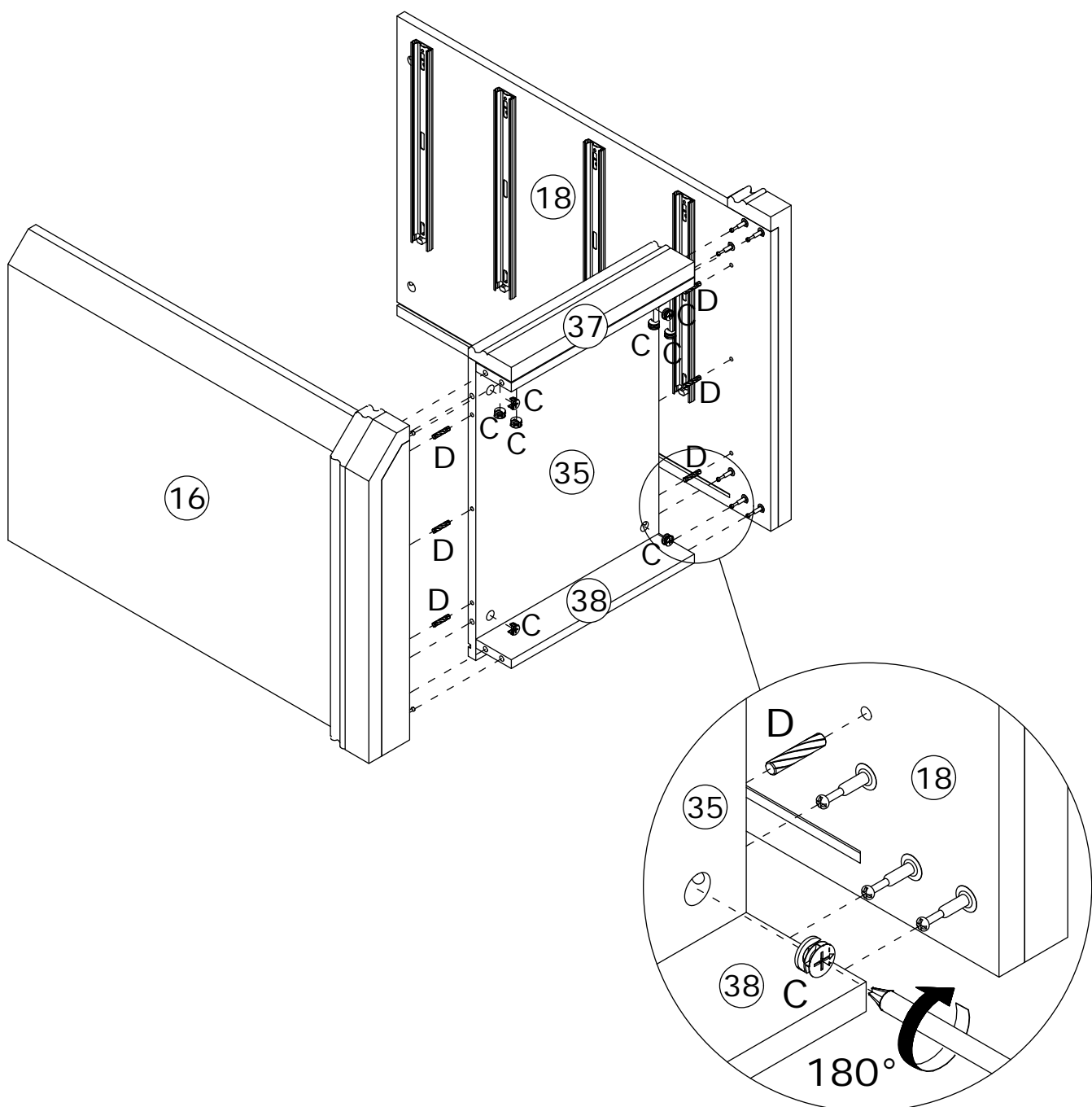


26

C x 8  CRB1595A	D x 6  CRF0630A	
--	--	---

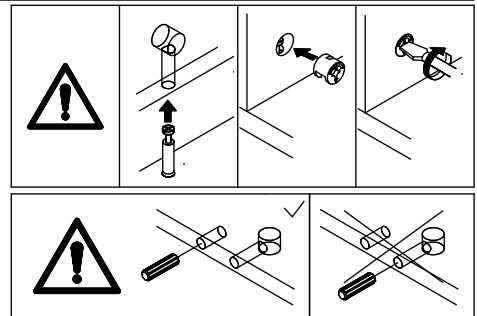


Connect panels 16 and 18 to panels 35, 37, and 38 using dowels (D), then put the eccentric wheel (C) and tighten it by turning clockwise.

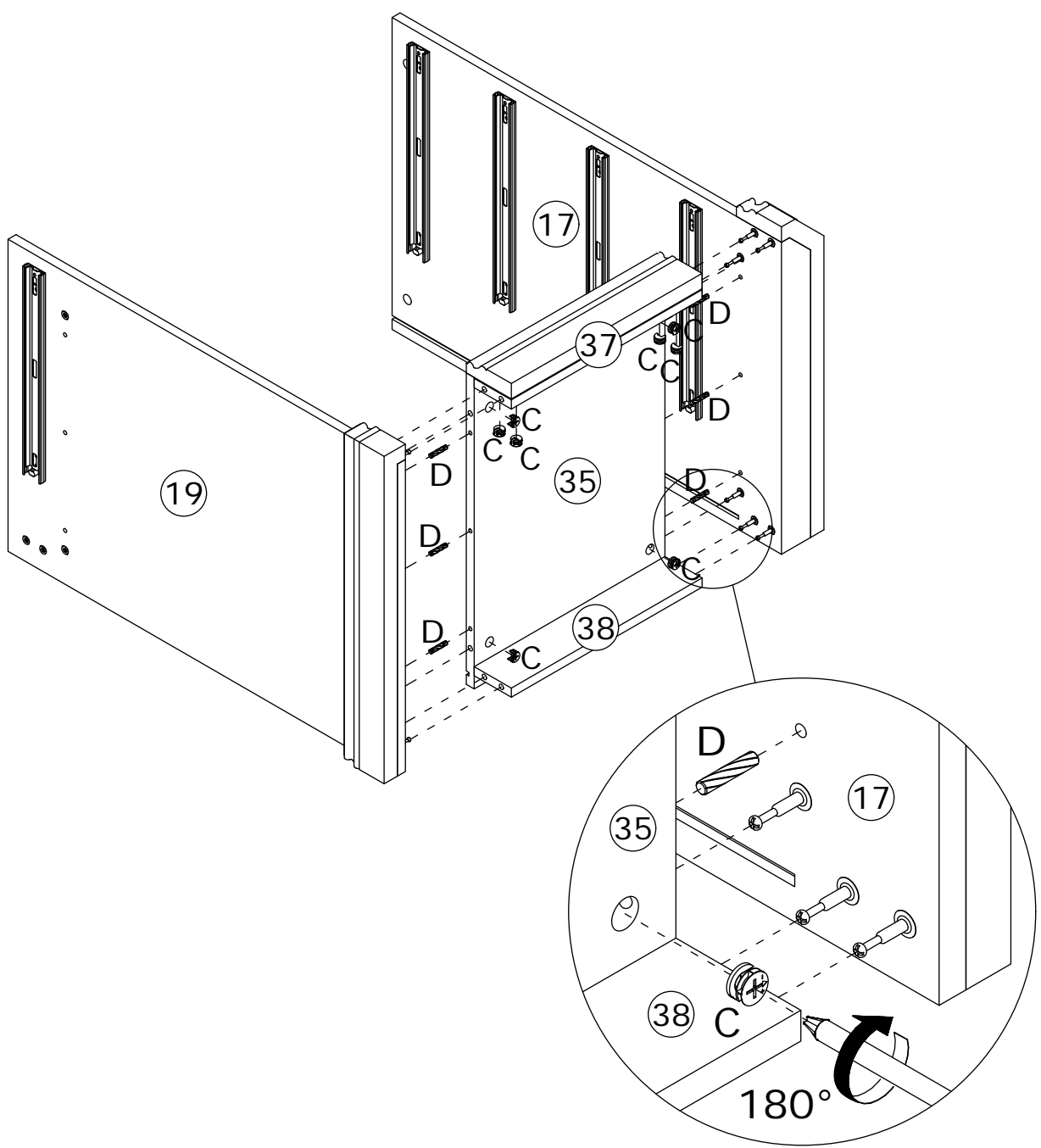


27





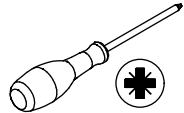
C x 8  CRB1595A	D x 6  CRF0630A	
--	--	---



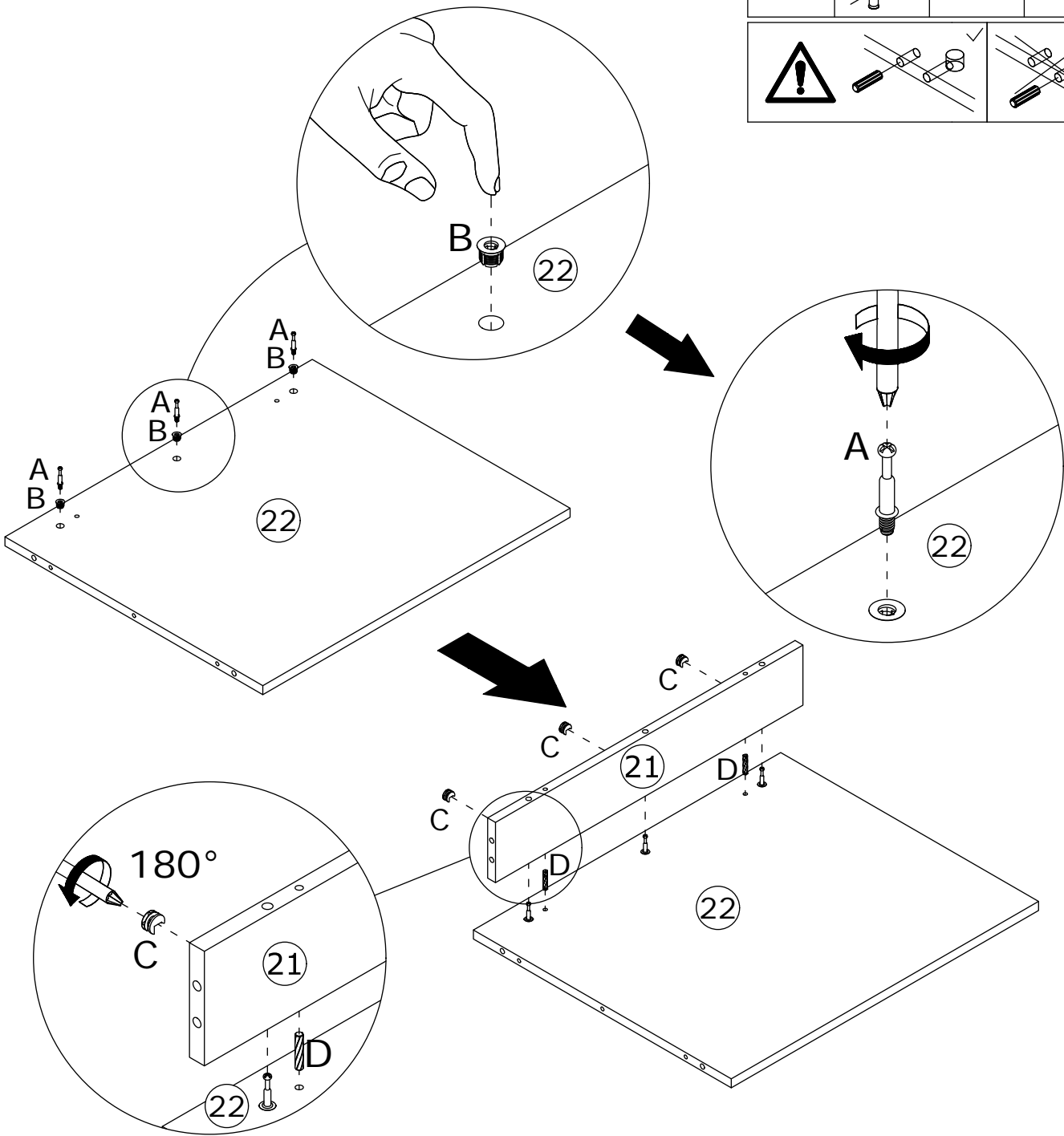
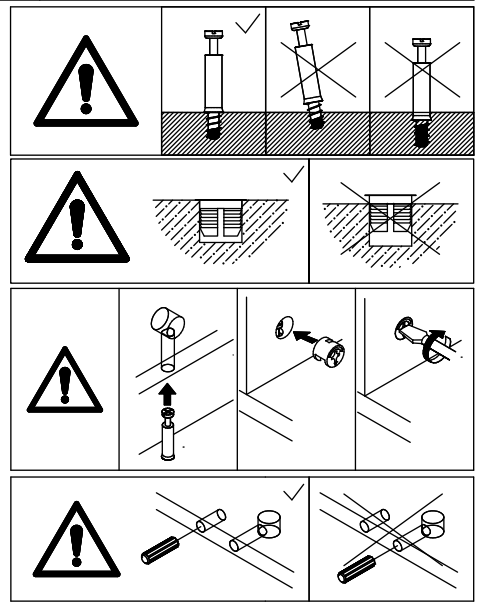
Connect panels 17 and 19 to panels 35, 37, and 38 using dowels (D), then put the eccentric wheel (C) and tighten it by turning clockwise.



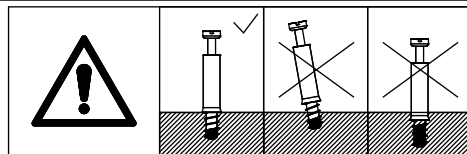
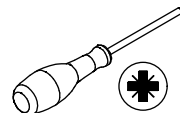
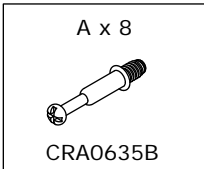
28

A x 3  CRA0635B	B x 3  CRB1595A	C x 3  CRB1595A	D x 2  CRF0630A	
--	--	--	---	---

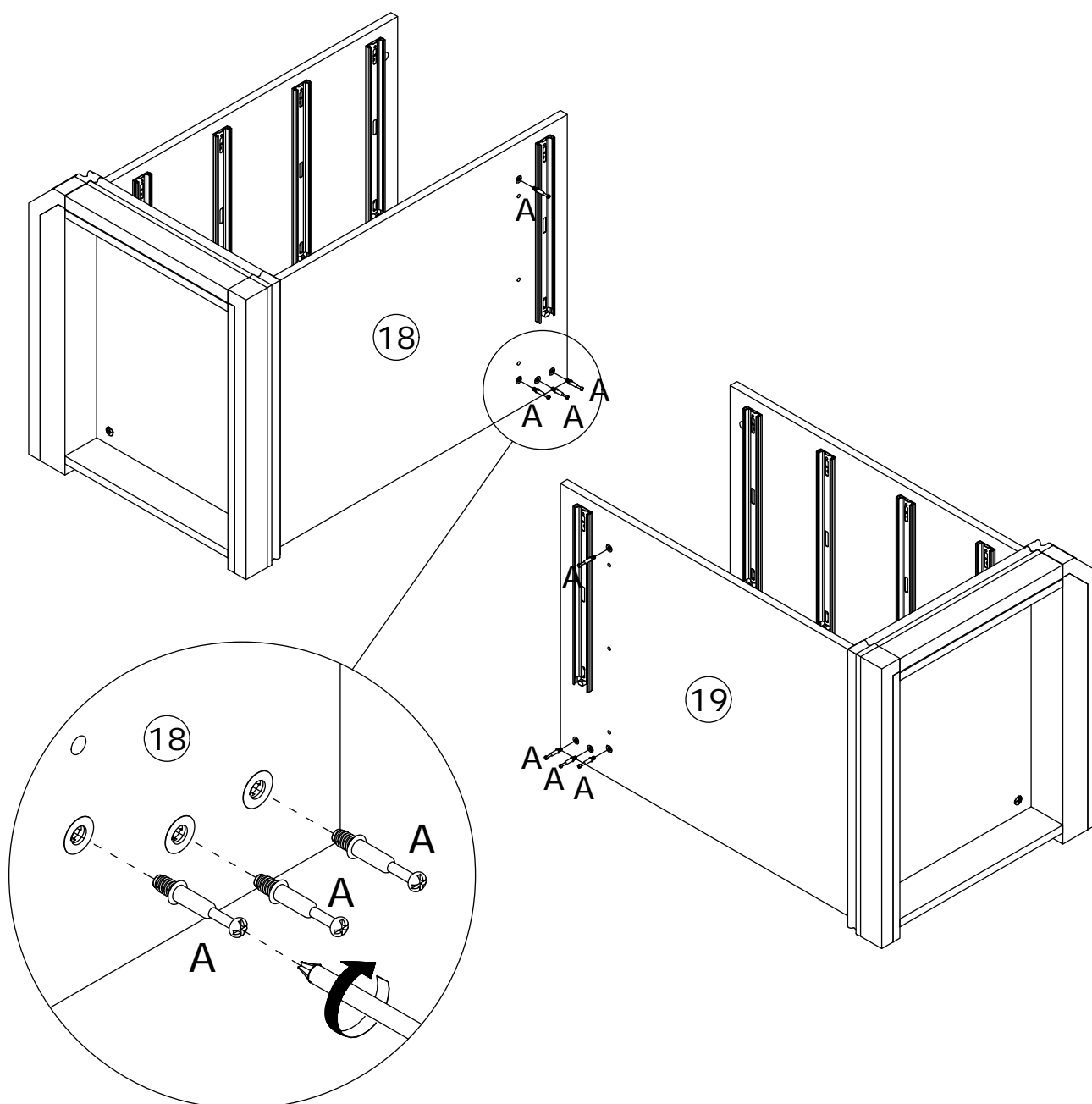
First install plug (B) onto panel 22, then screw the self-tapping rod (A) into. Connect panel 21 to panel 22 using dowels (D), then put the eccentric wheel (C) and tighten it by turning clockwise.



29

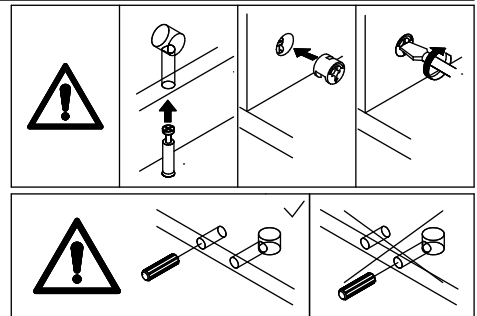


Screw the self-tapping rod (A) into panels 18 and 19.

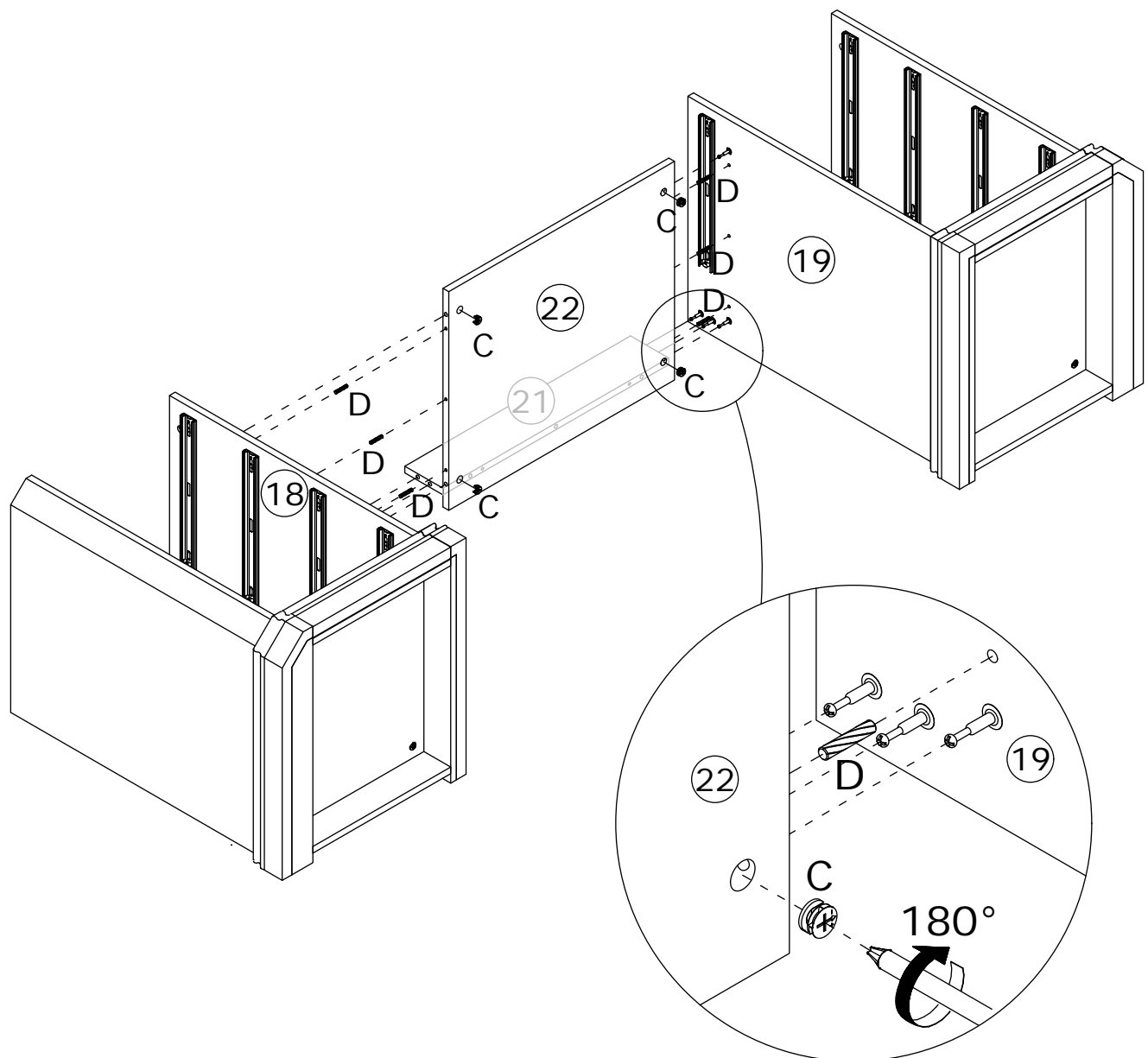


30

C x 4  CRB1595A	D x 6  CRF0630A	
--	--	---

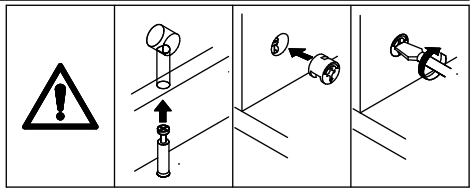
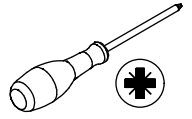


Connect panels 18 and 19 to panels 21 and 22 using dowels (D), then put the eccentric wheel (C) and tighten it by turning clockwise.

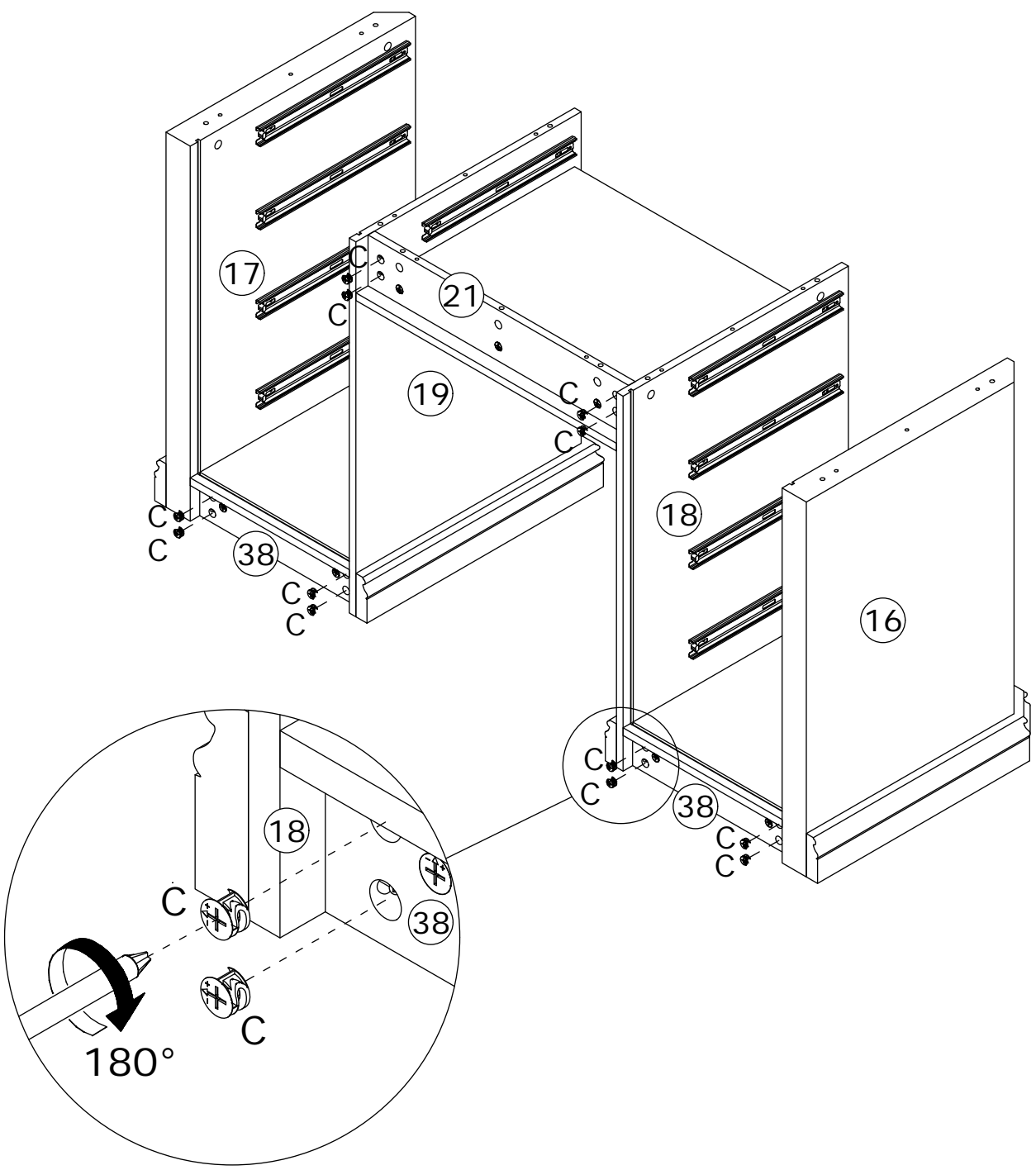


31

C x 12
CRB1595A

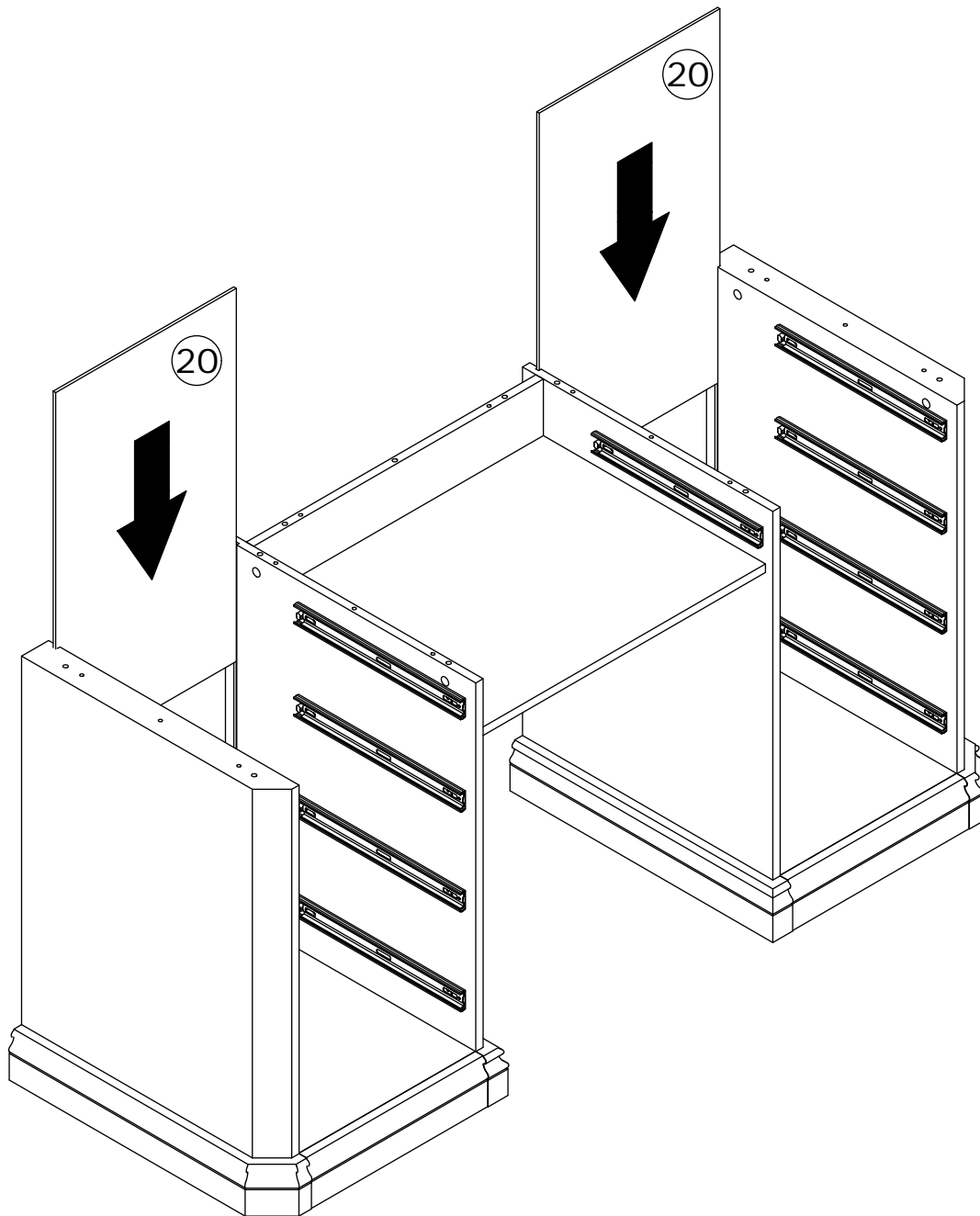


Put the eccentric wheel (C) into panel 38 and 21, tighten it by turning clockwise.



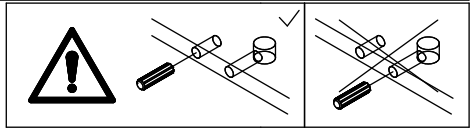
32

Insert panel 20 into the available slots.

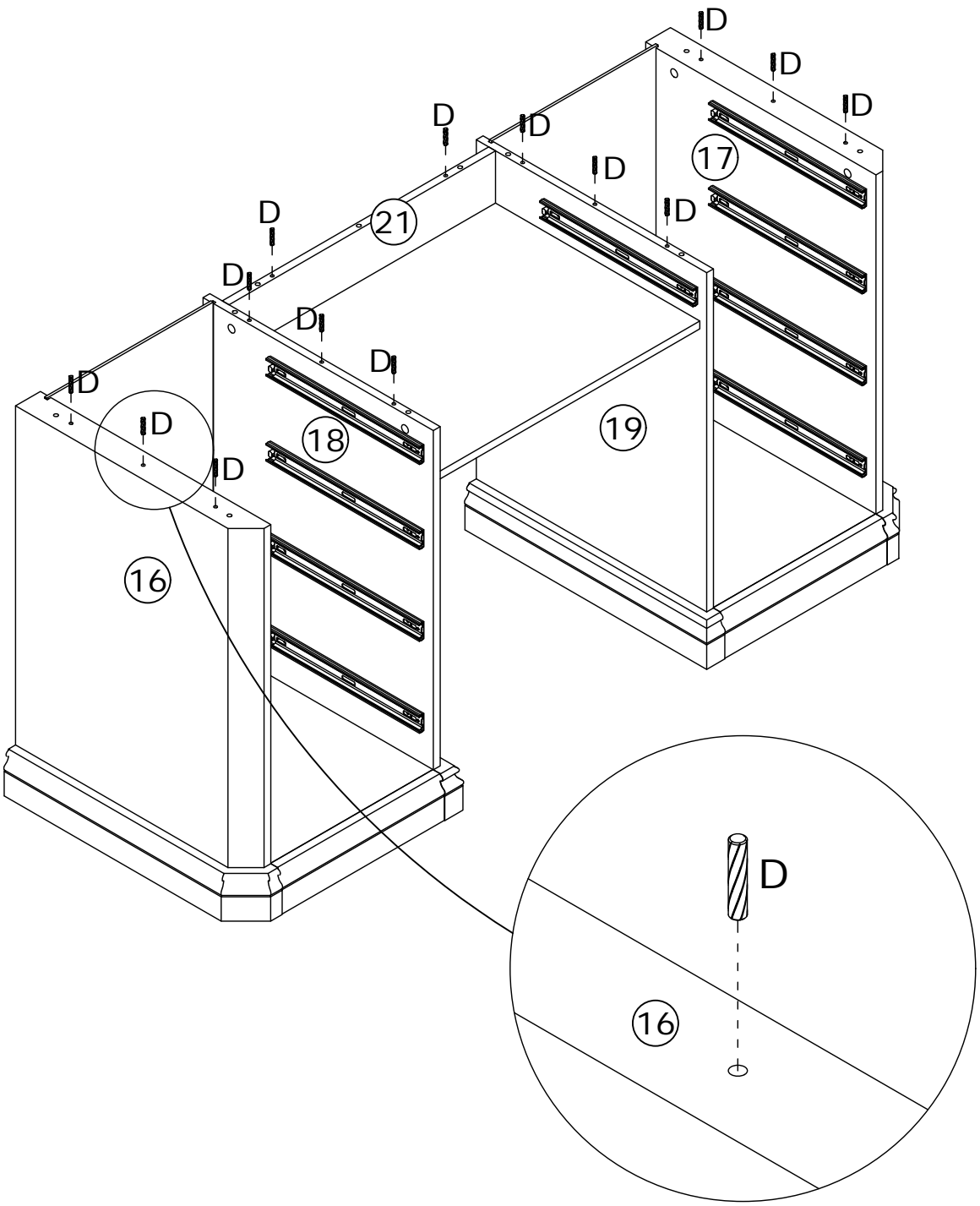


33

D x 14
CRF0630A

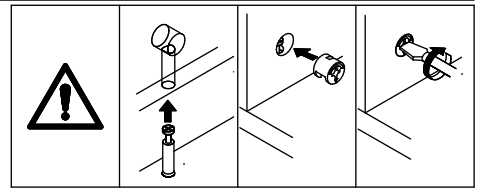
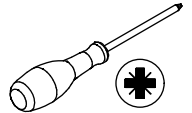


Insert wooden dowels (D) into panels 16, 17, 18, 19, and 21.



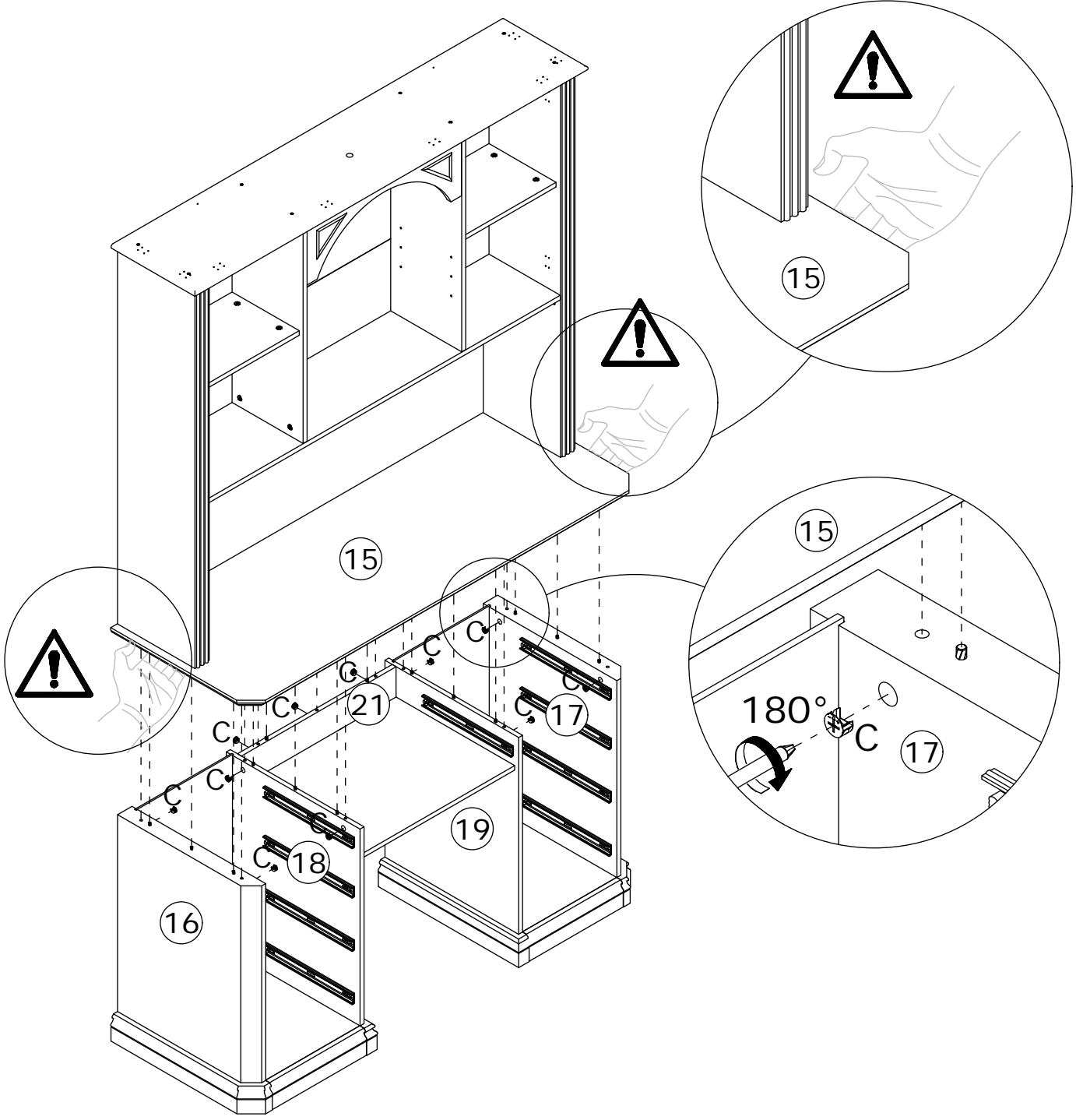
34

C x 11
CRB1595A




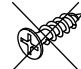

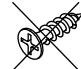
Connect panel 15 to the mounting unit and put the eccentric pulley (C), tighten by turning clockwise.

Caution: When moving the cabinet, be careful not to pinch your fingers.

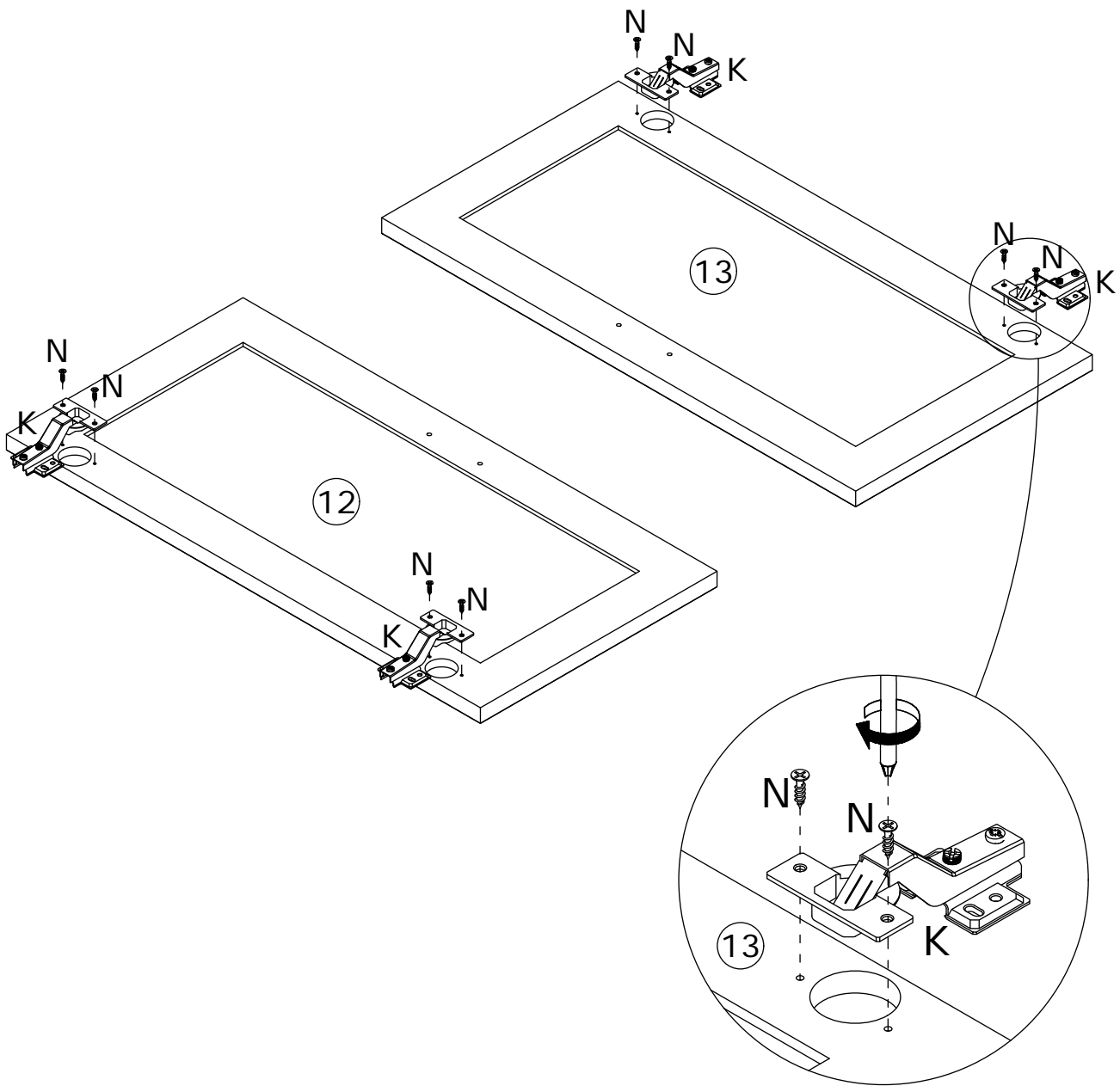


35

<p>K x 4</p>  <p>DGA861C</p>	<p>N x 8</p>  <p>CRD3514A</p>	
---	--	---

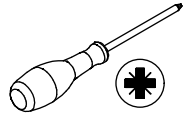
	<p>M</p>  <p>CRD3512A</p>	<p>N</p>  <p>CRD3514A</p>	<p>U</p>  <p>CRD0314A</p>
--	--	--	--

Secure hinge (K) to panels 12 and 13 using screws (N).



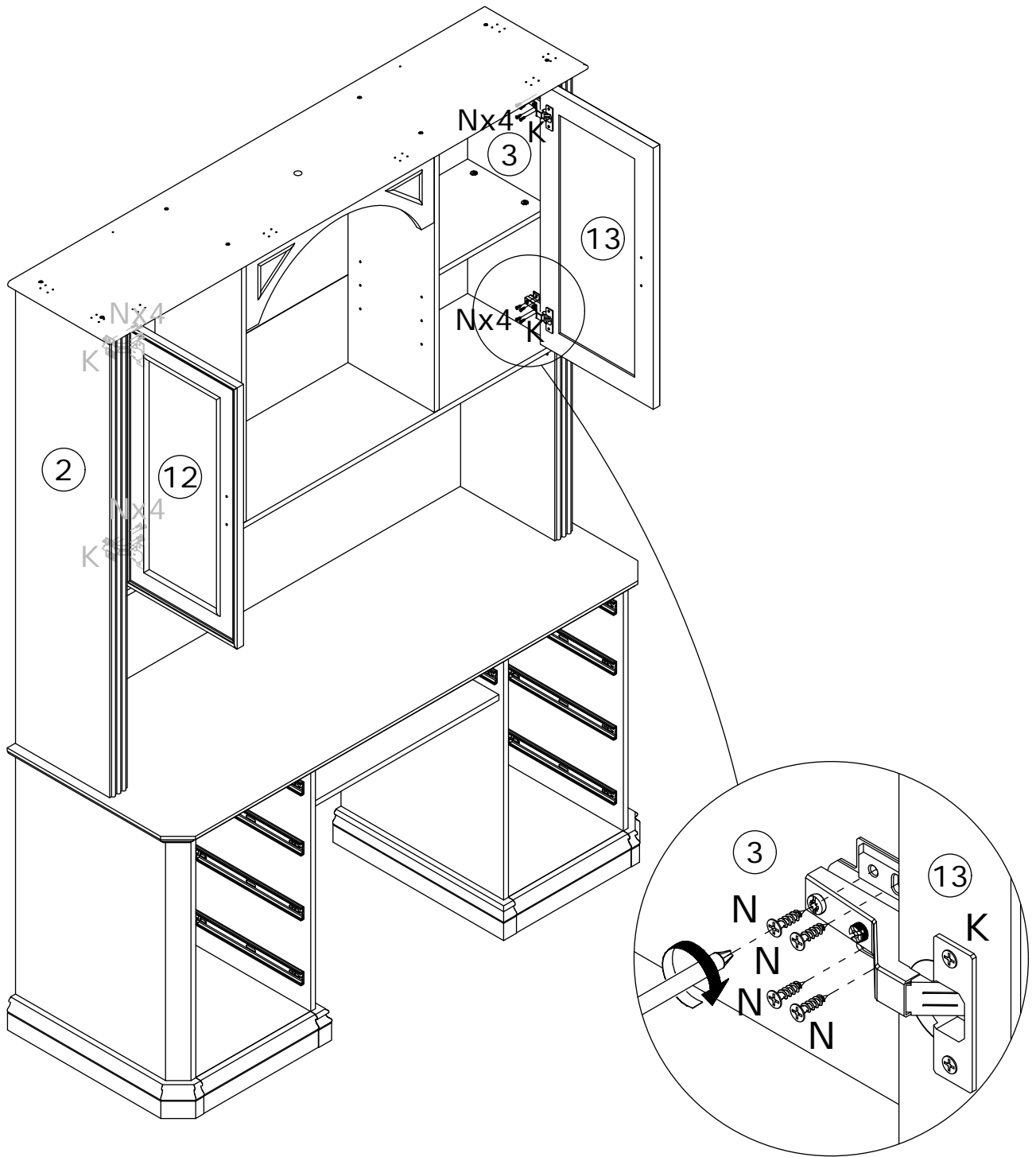
36

N x 16
CRD3514A



	M CRD3512A	N CRD3514A	U CRD0314A
--	--------------------------	---------------	--------------------------

Secure door panels to panels 2 and 3 using screws (N).

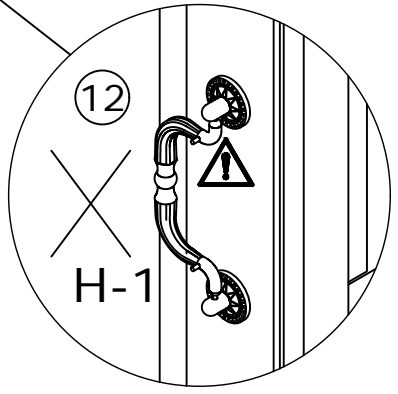
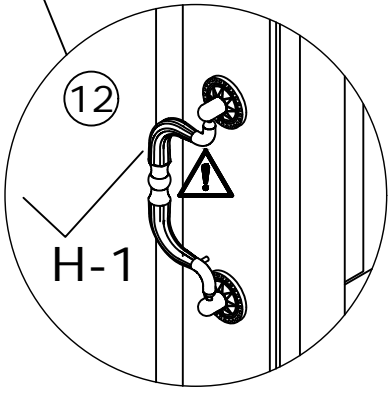
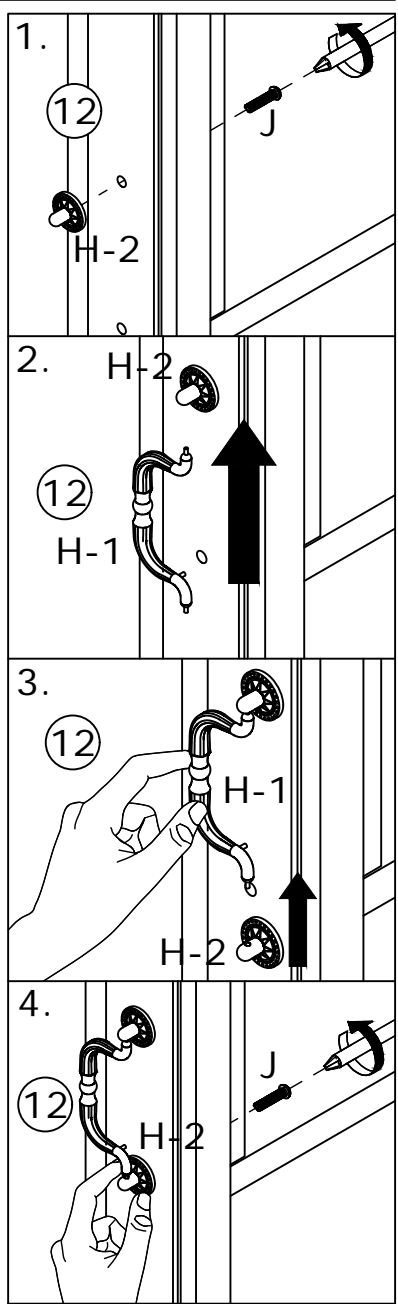
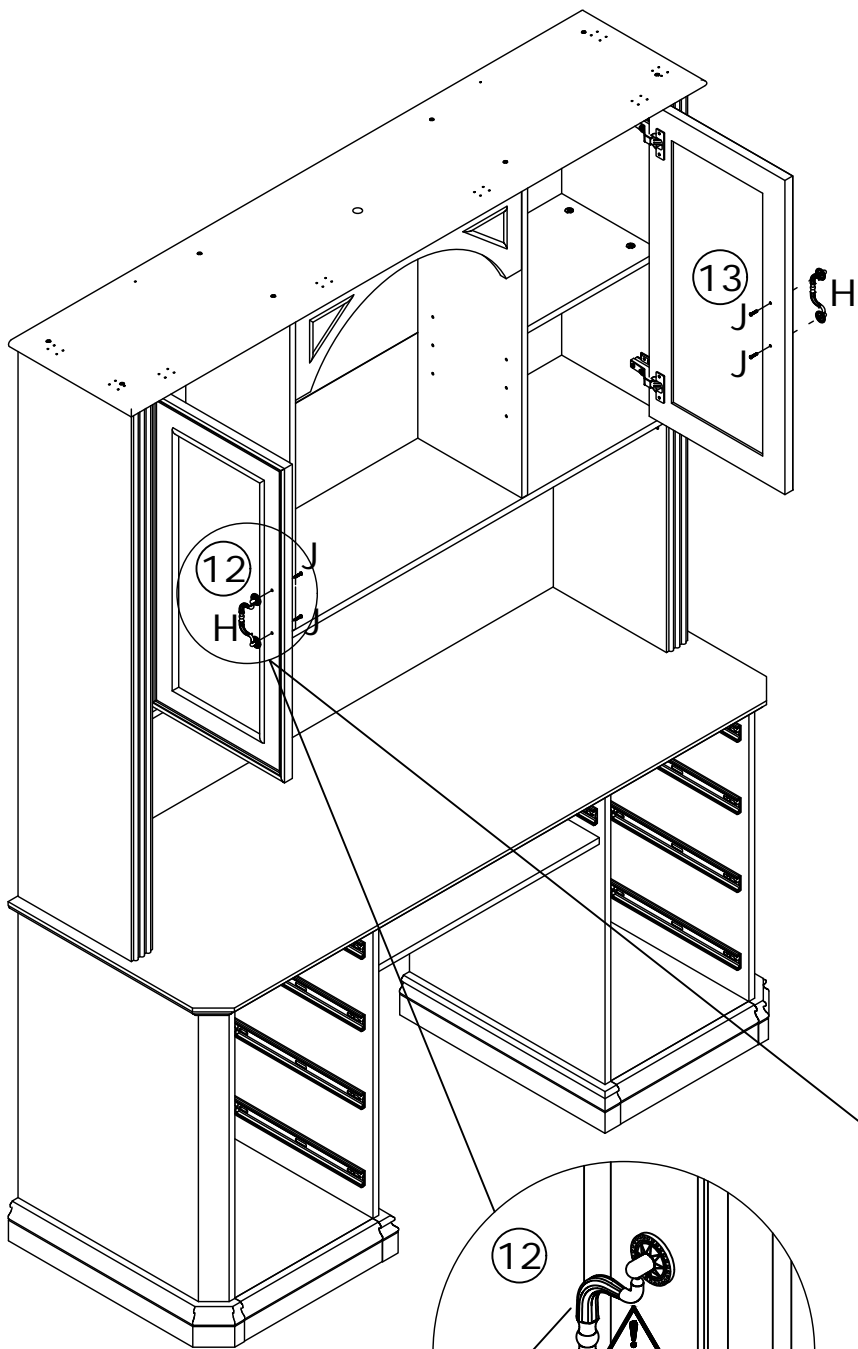


37




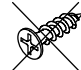
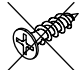

Secure handle (H) to panels 12 and 13 using screws (J).

Note: Pay attention to the installation orientation of handle (H-1).

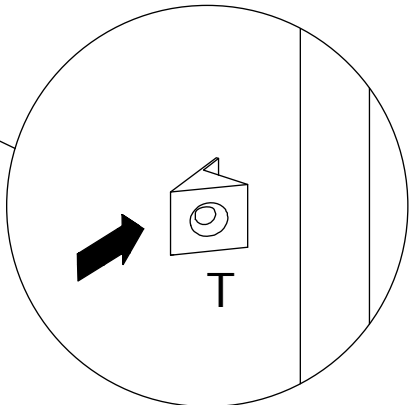
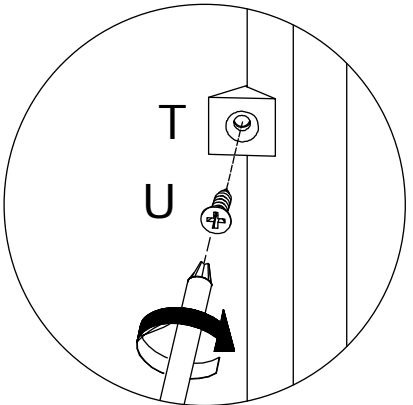
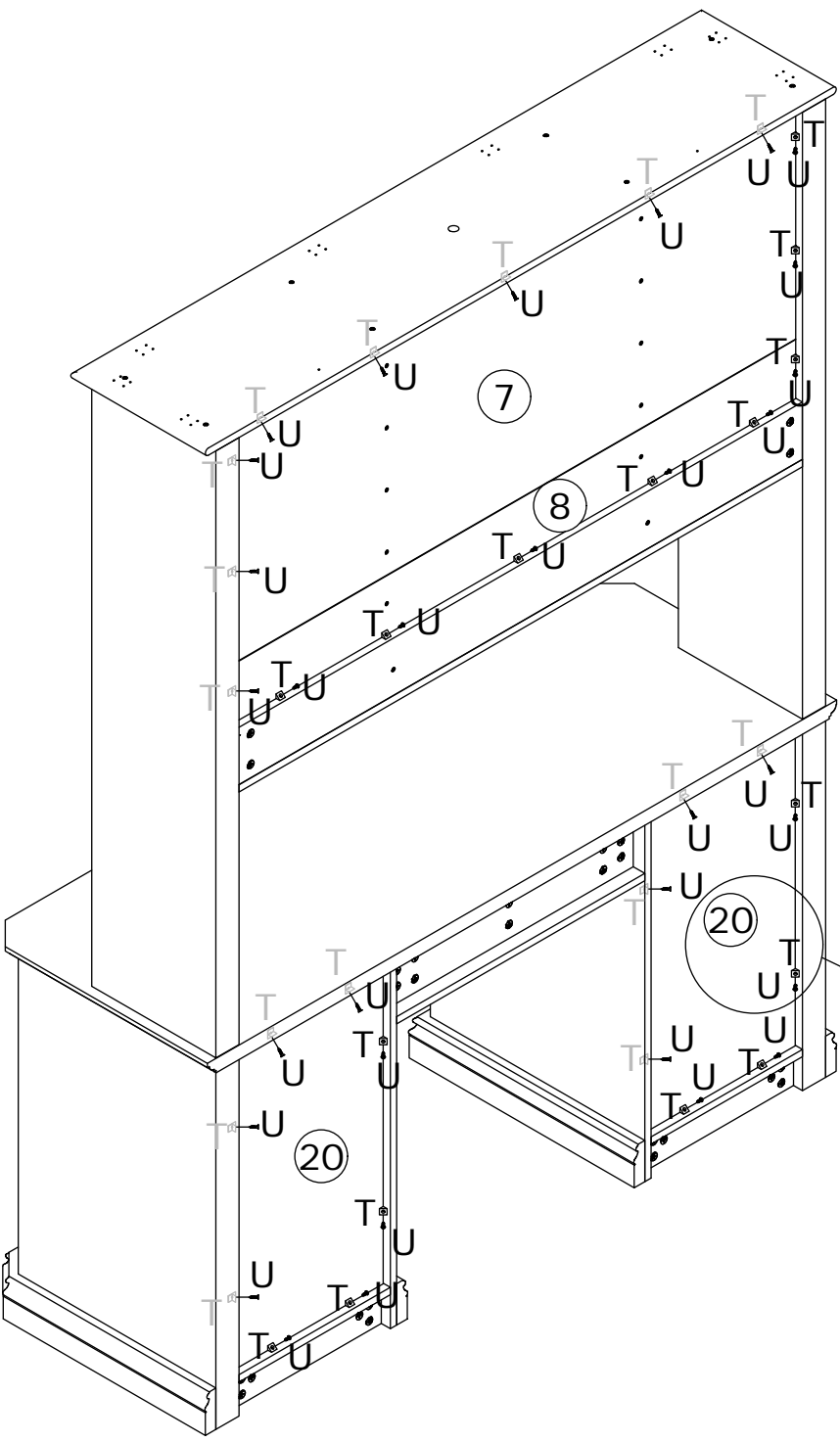


38

T x 32 	U x 32  CRD0314A	
---	---	---


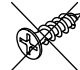

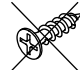
	M 	N 	U 
	CRD3512A	CRD3514A	CRD0314A

Insert clips (T) into the available slots and secure them with screws (U).

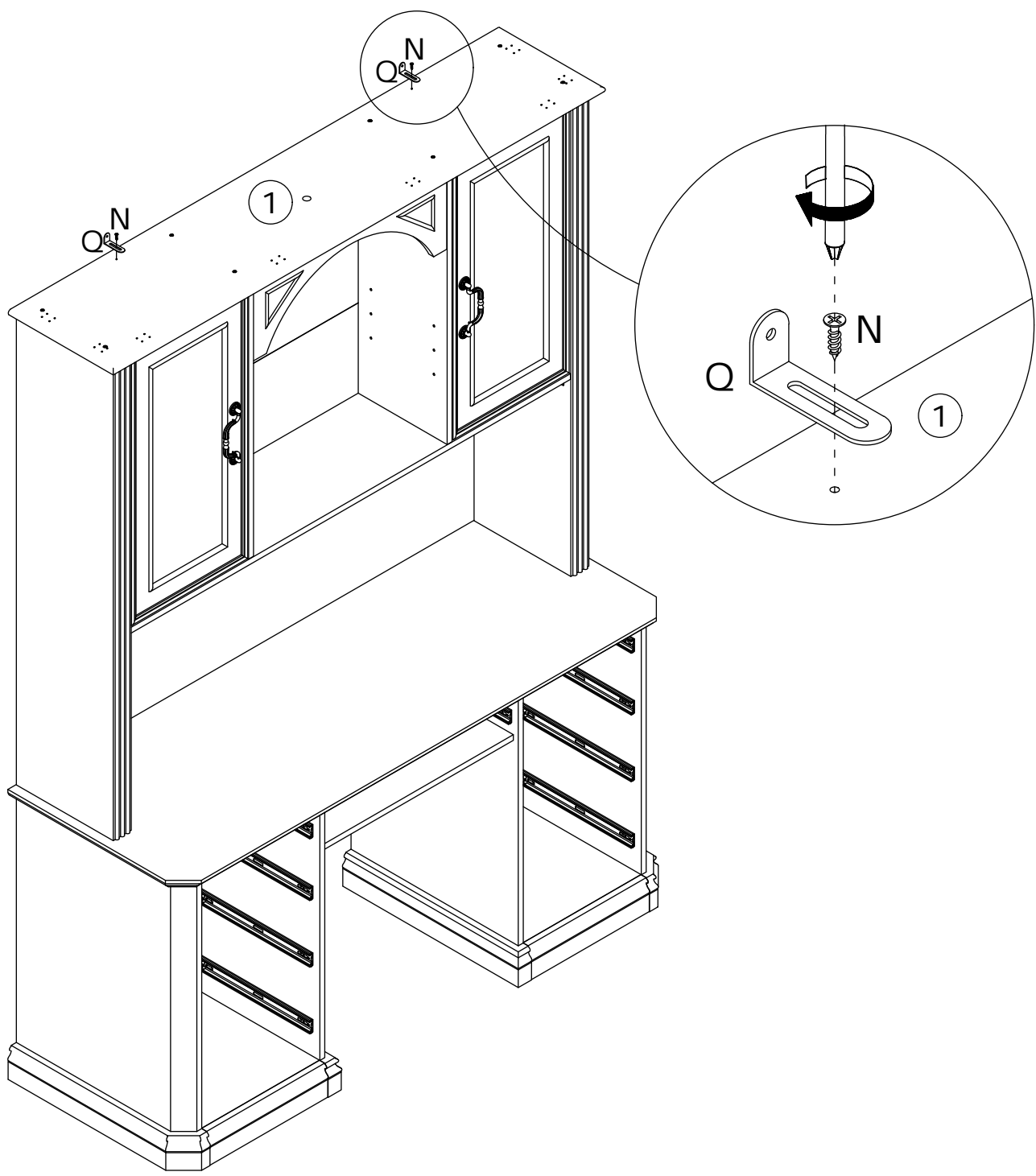


39

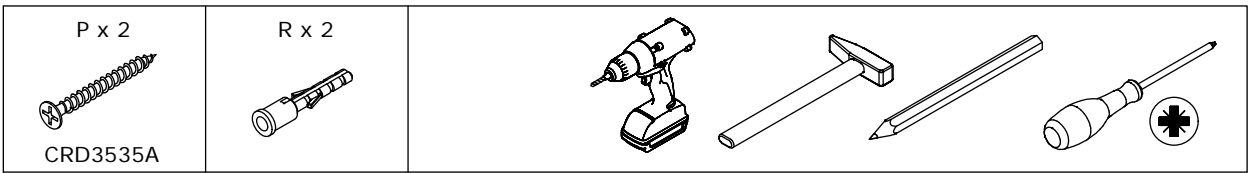
N x 2  CRD3514A	Q x 2 	
--	--	---

	M  CRD3512A	N  CRD3514A	U  CRD0314A
--	--	--	--

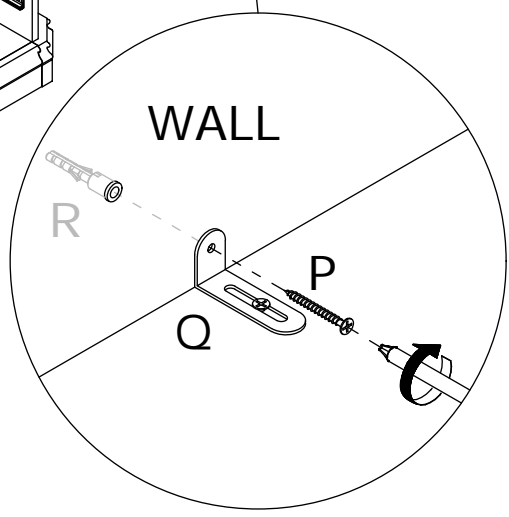
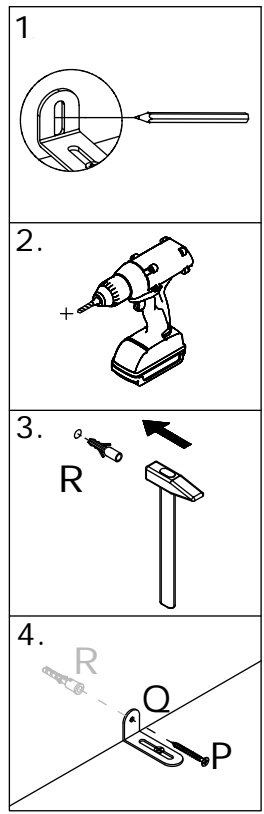
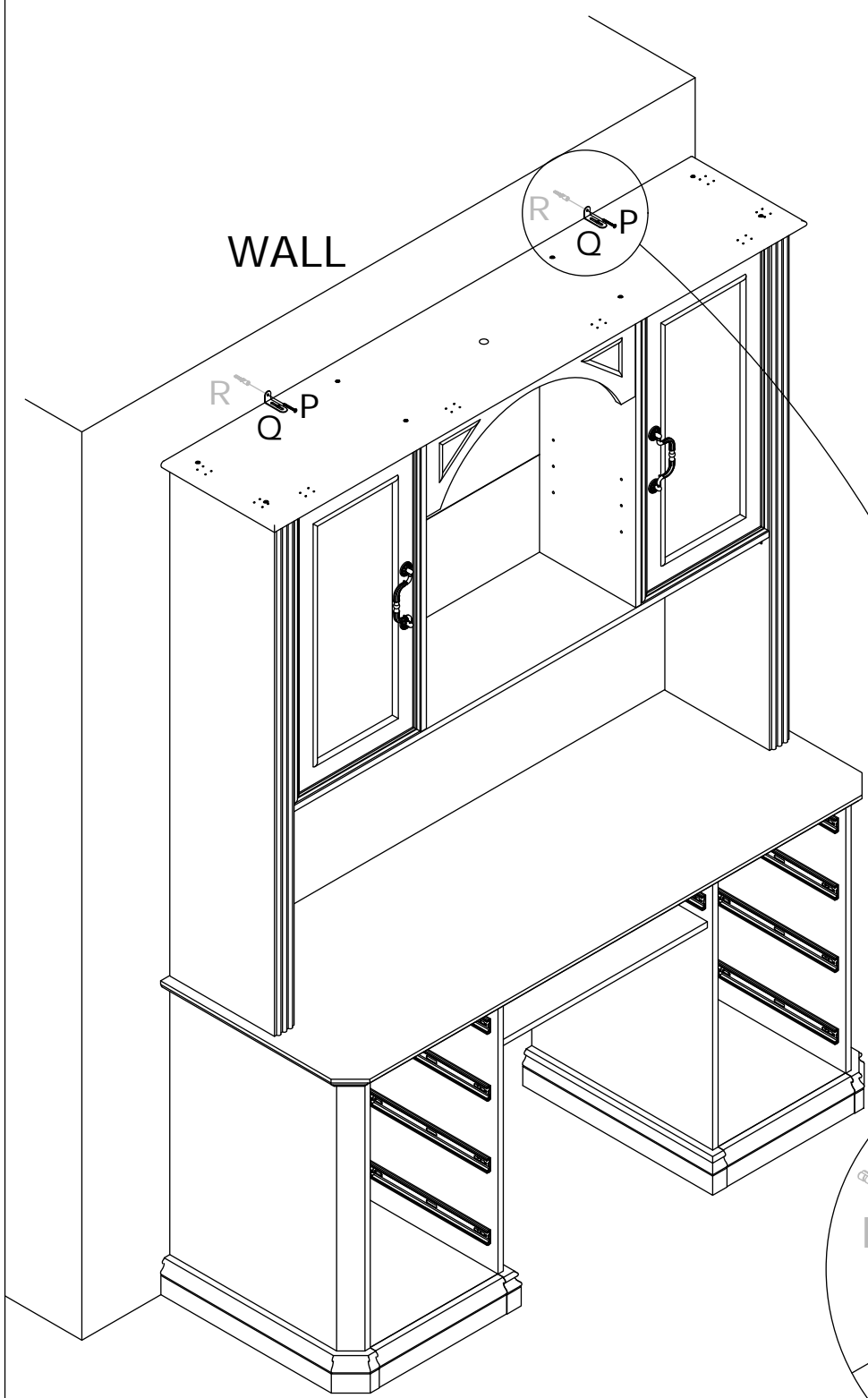
Secure component (Q) to panel 1 using screws (N).



40


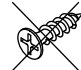

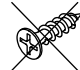


Install anti-tip devices.

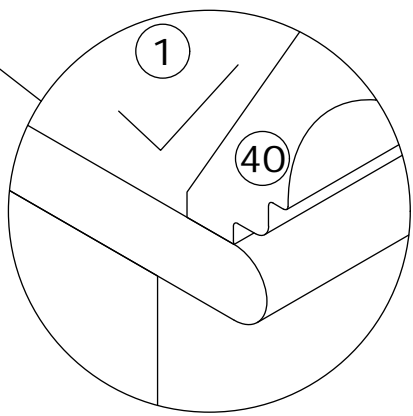
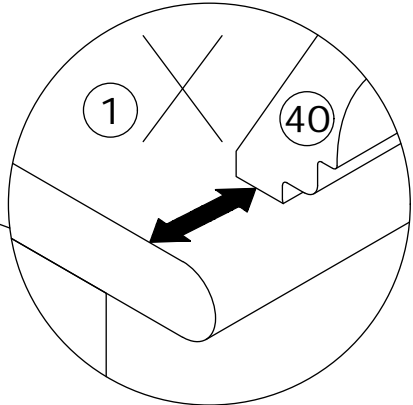
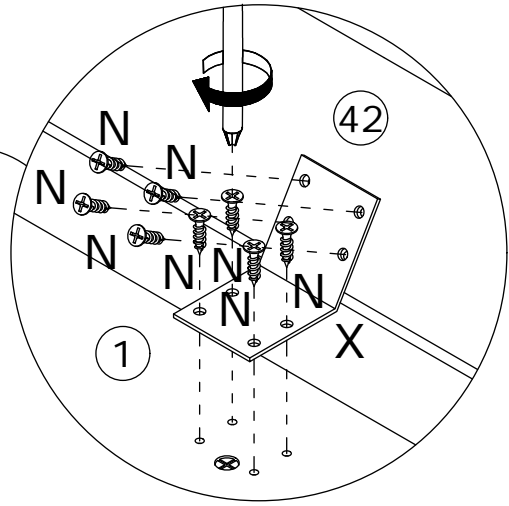
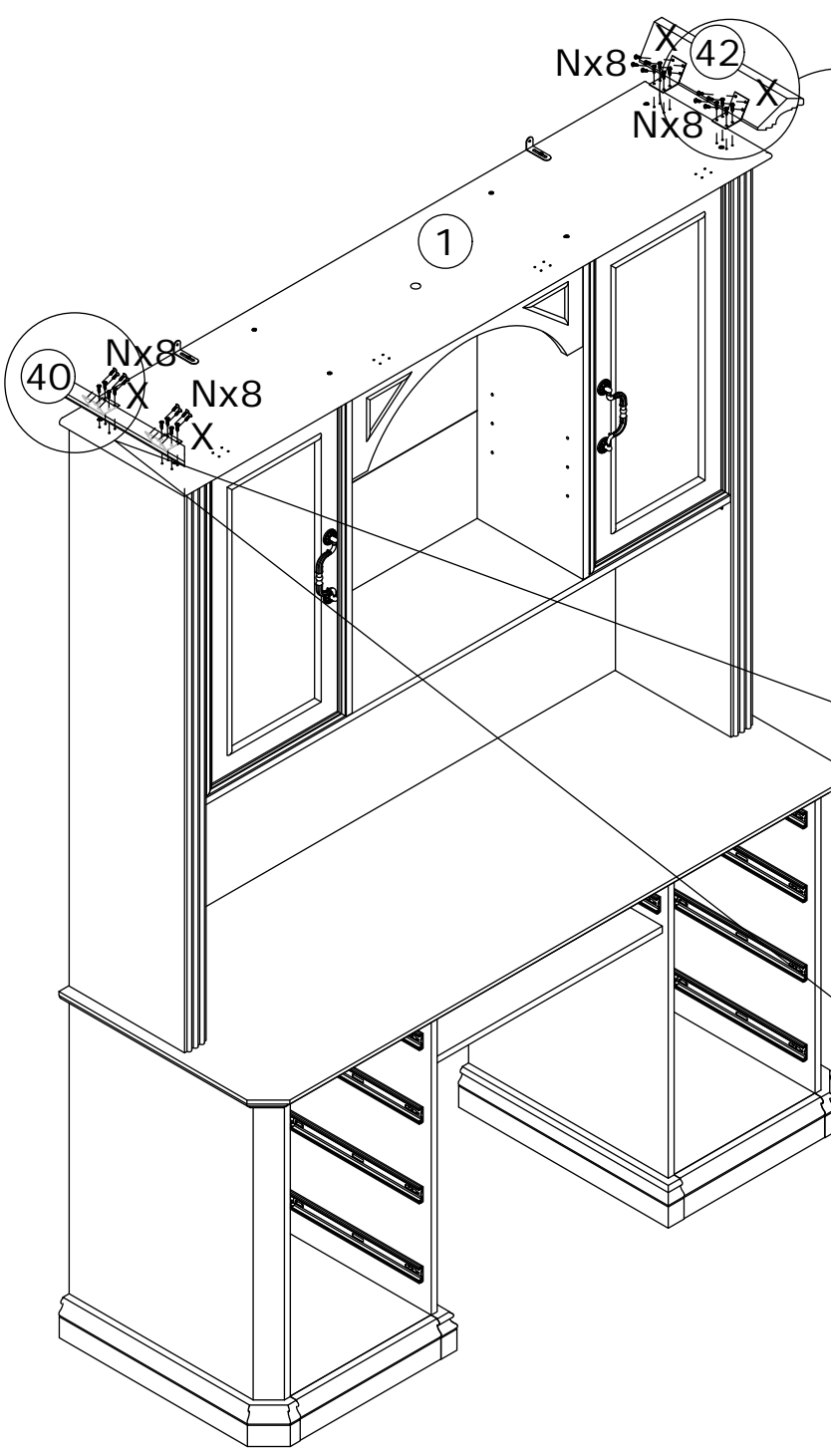


41

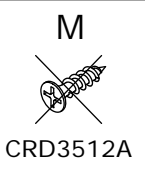
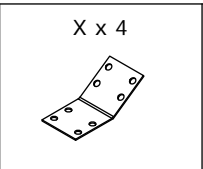
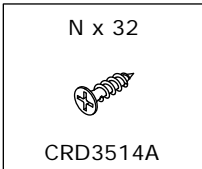
N x 32  CRD3514A	X x 4 	
---	--	---

	M  CRD3512A	N  CRD3514A	U  CRD0314A
--	--	--	--

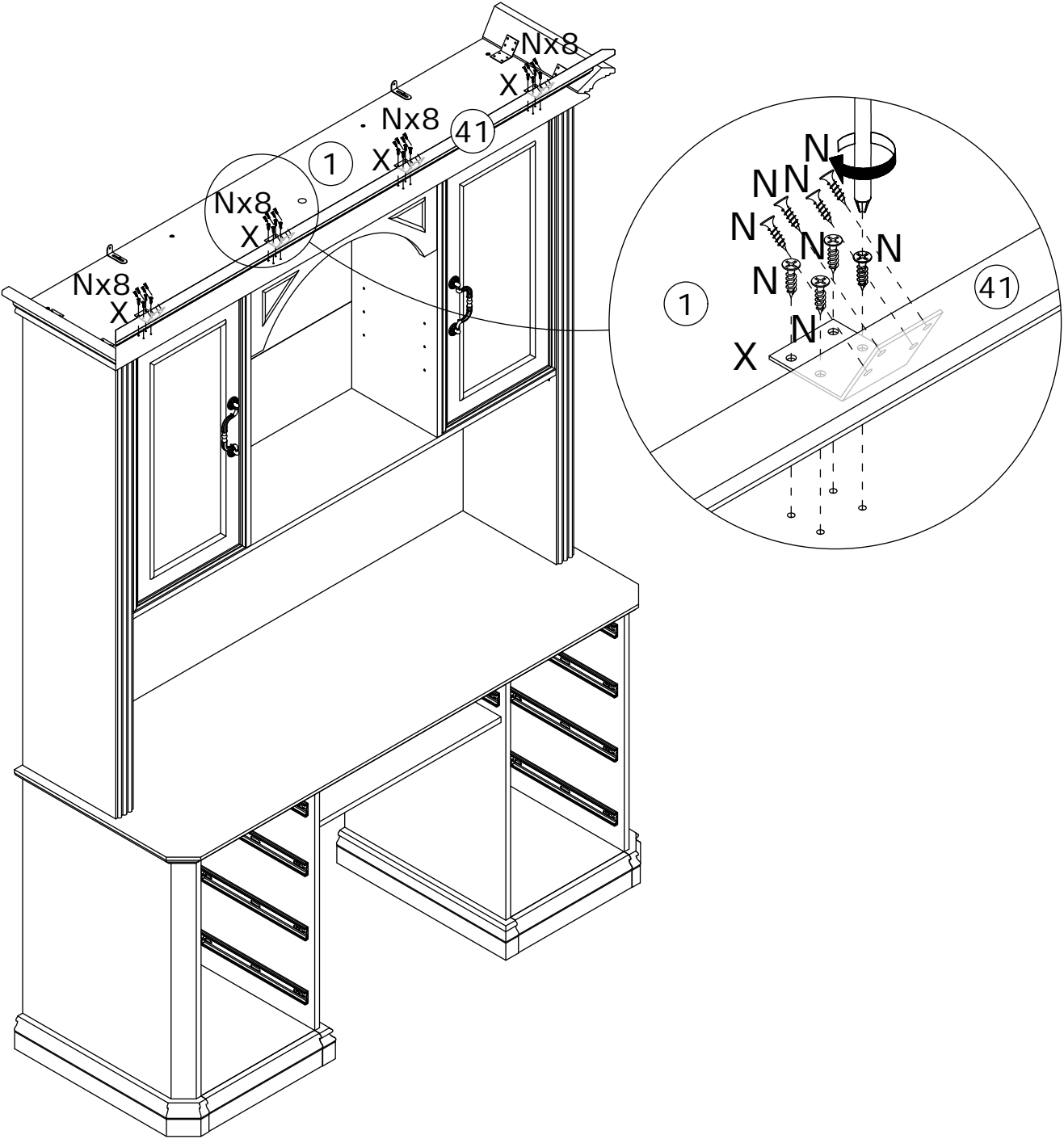
Secure component (X) to panels 40, 42, 1 using screws (N).



42


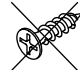

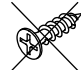


Secure component (X) to panels 41, 1 using screws (N).

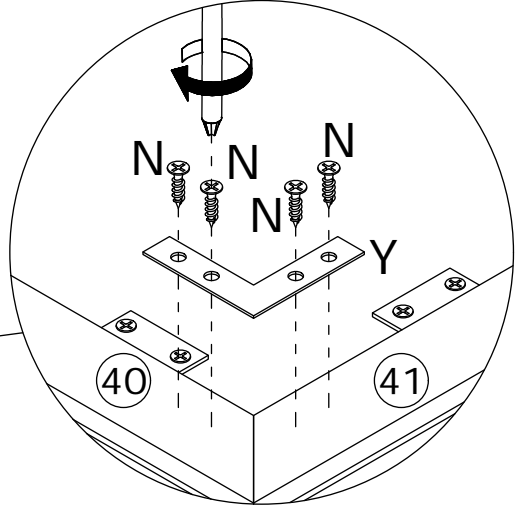
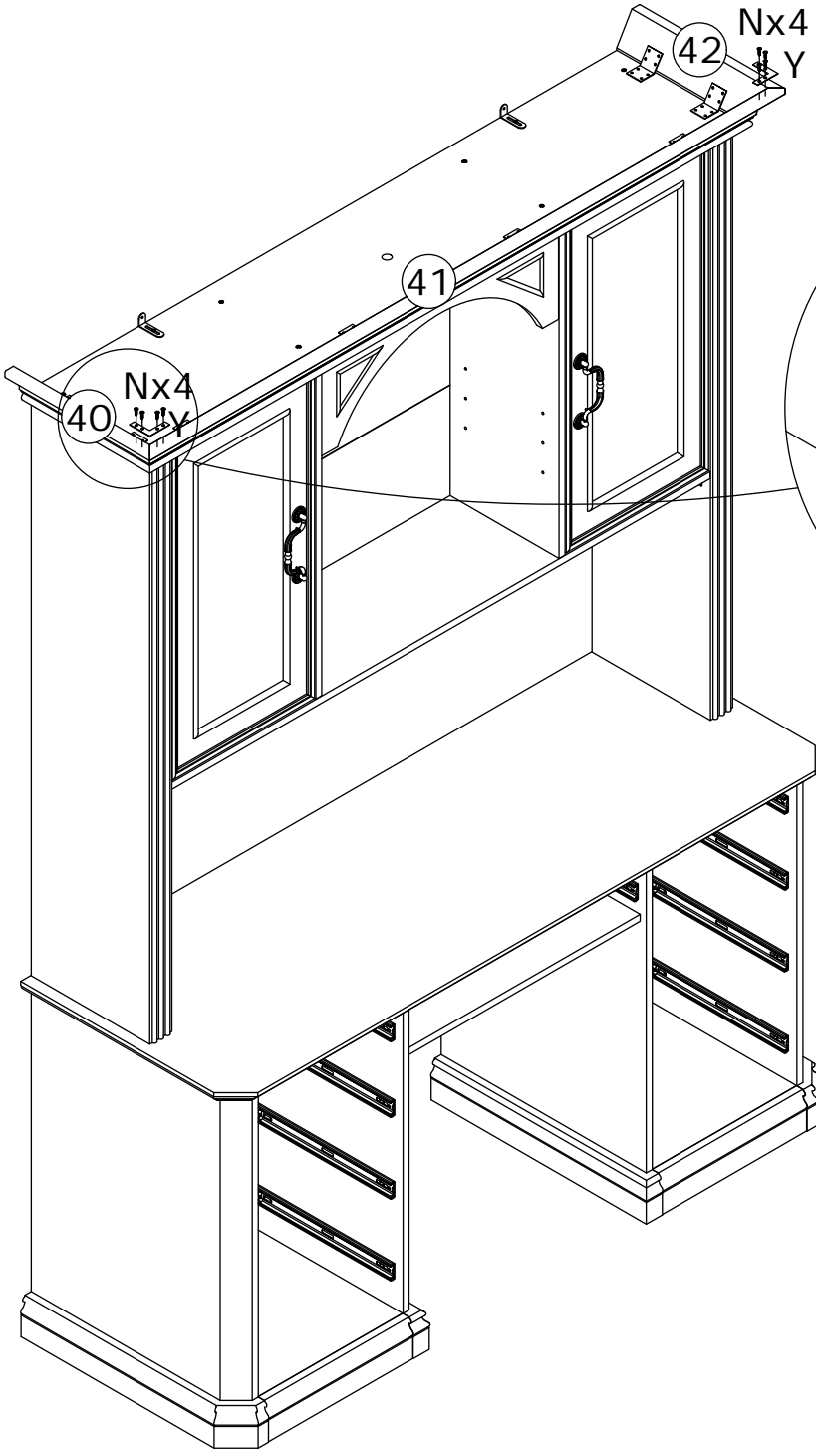


43

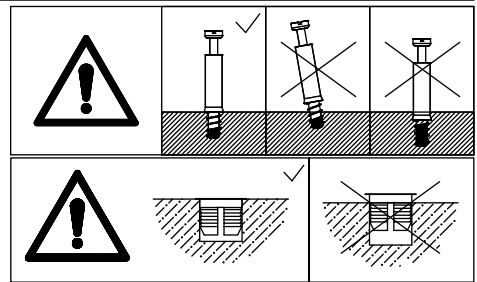
N x 8  CRD3514A	Y x 2 	 
--	--	---

	M  CRD3512A	N  CRD3514A	U  CRD0314A
--	--	--	--

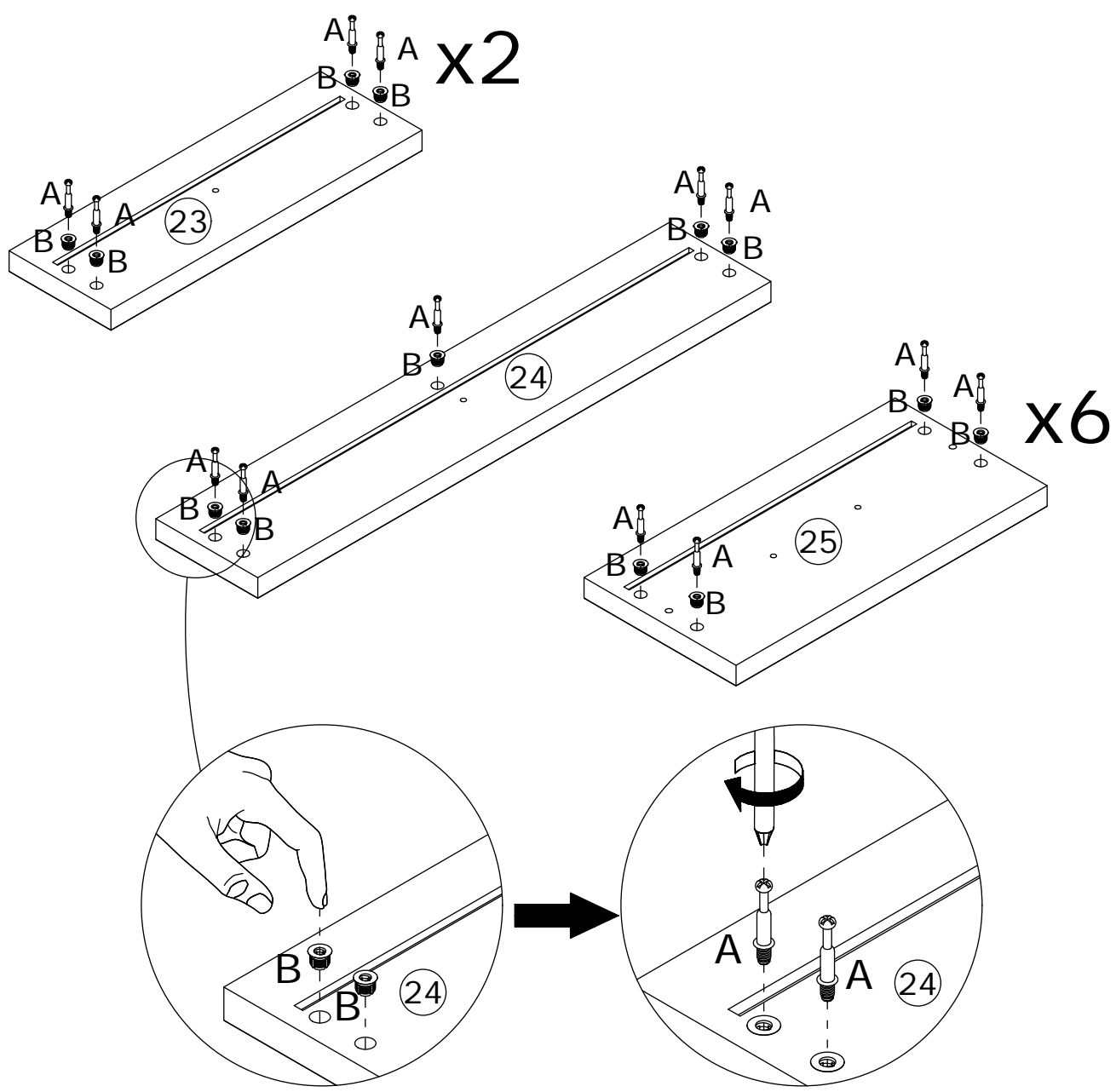
Secure component (X) to panels 40, 42, 41 using screws (N).



44



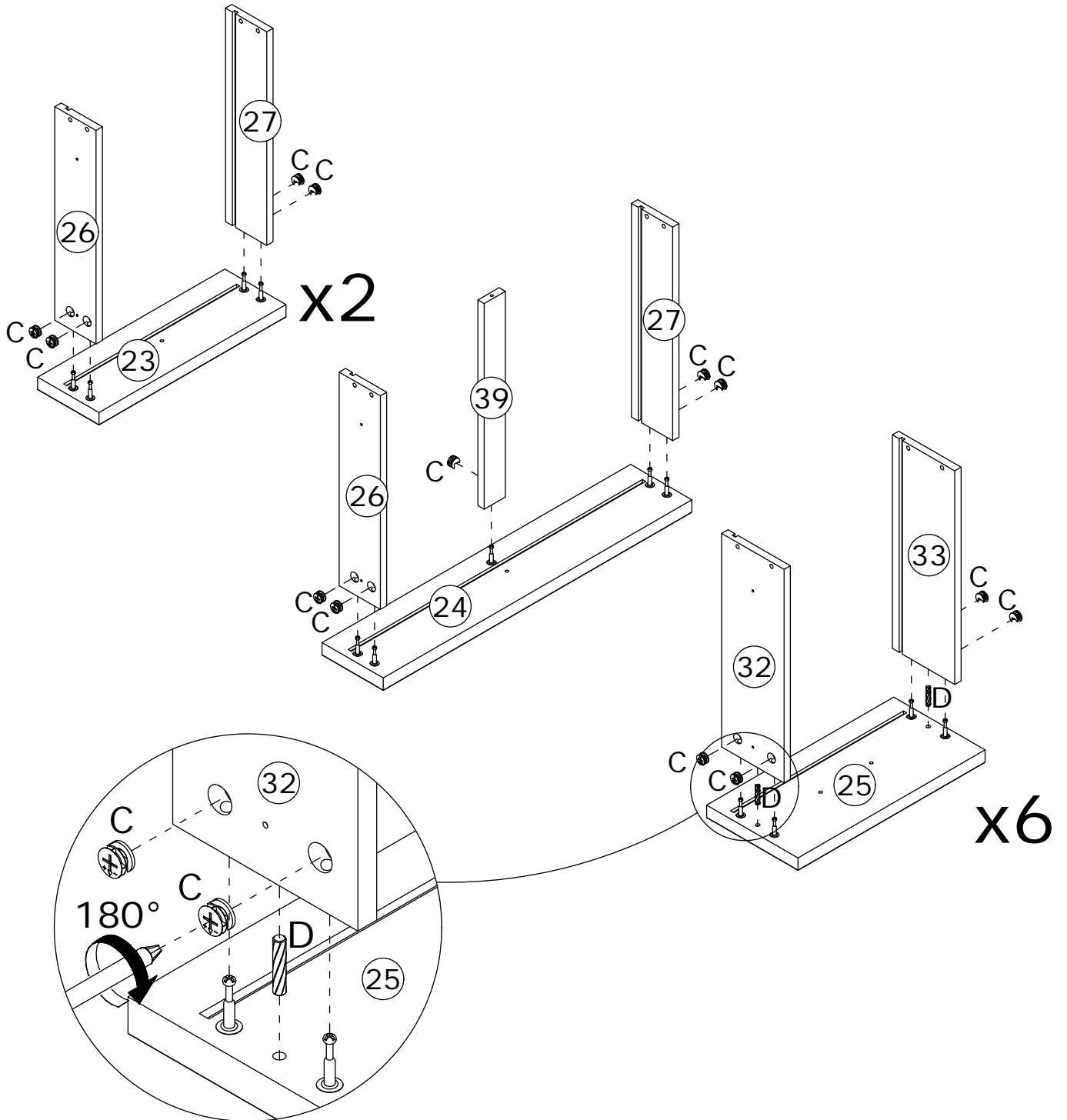
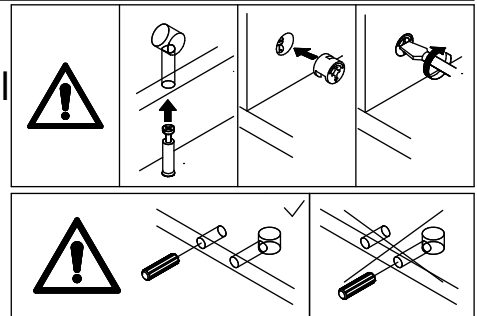
First install plug (B) onto panels 23, 24, and 25.
Then screw the self-tapping rod (A) into.



45

C x 37  CRB1595A	D x 12  CRF0630A	
---	---	---

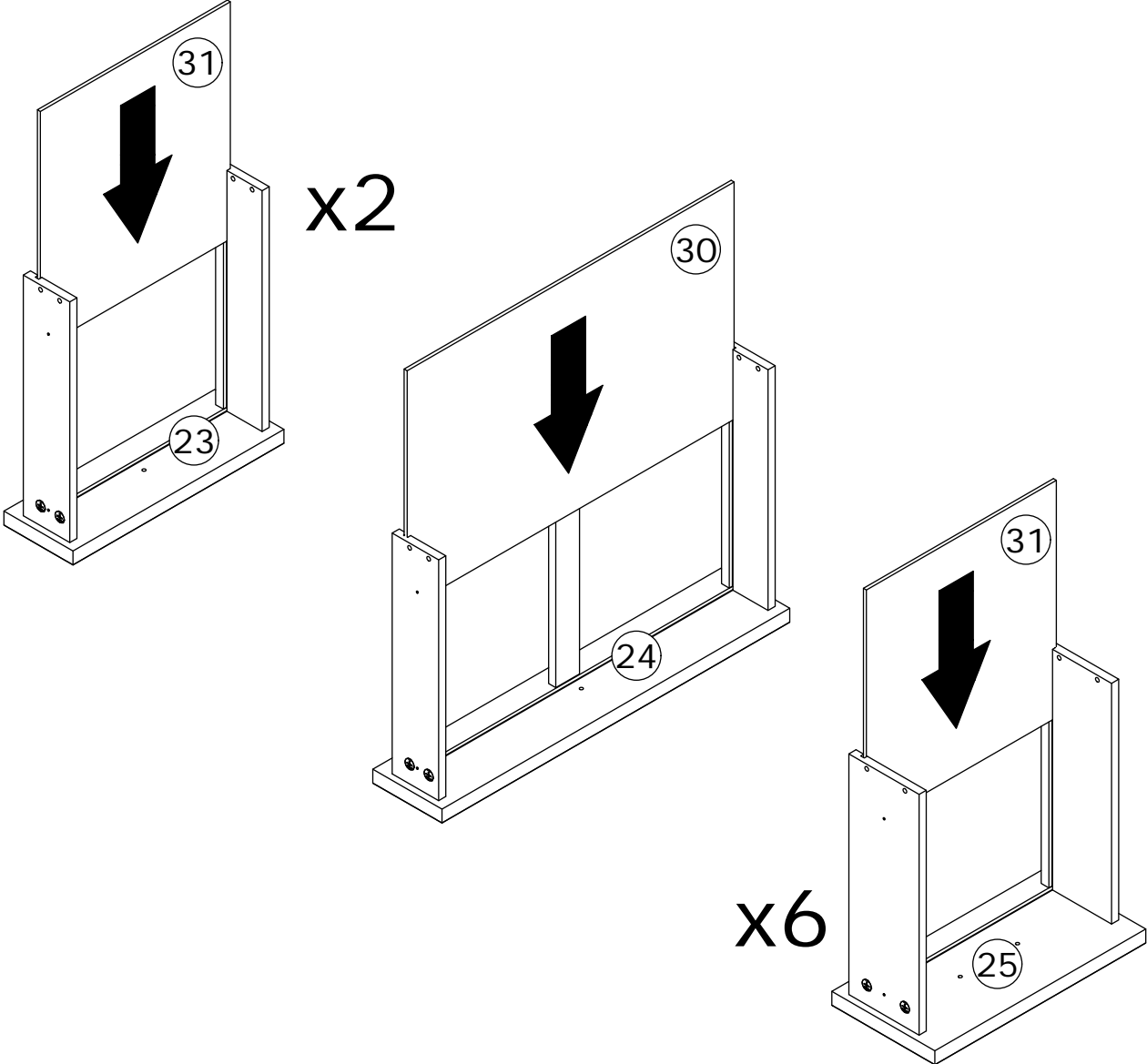
Connect panels 26 and 27 to panel 23, panels 26, 27, and 39 to panel 24, panels 32 and 33 to panel 25, then put the eccentric wheel (C) and tighten by turning clockwise.



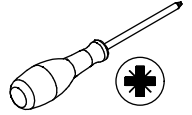
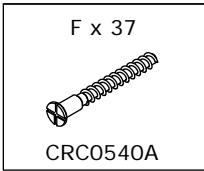
46



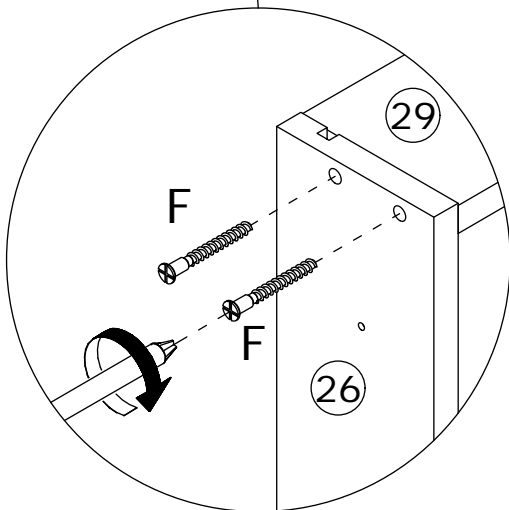
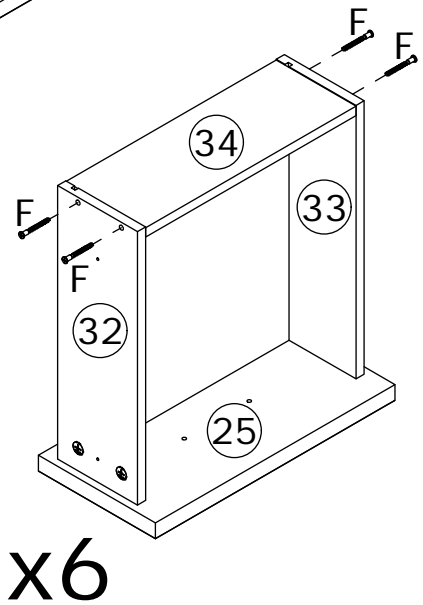
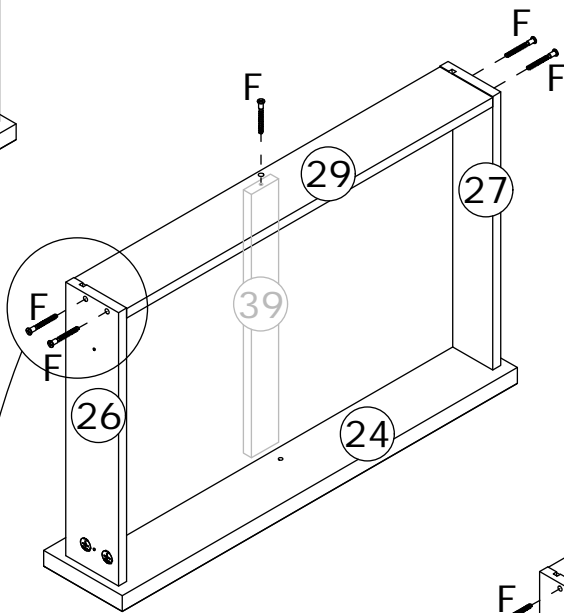
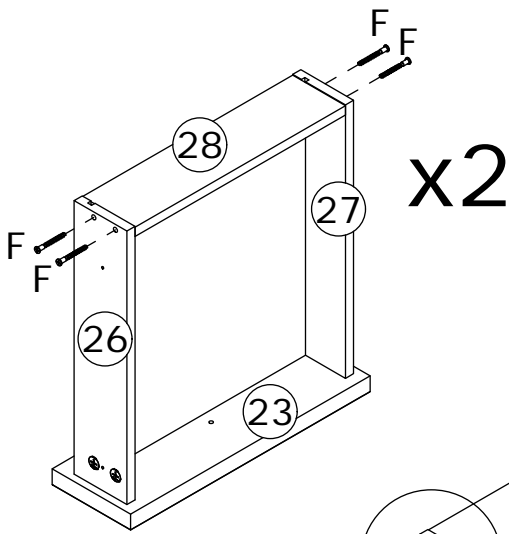
Insert panels 30 and 31 into the available slots.



47




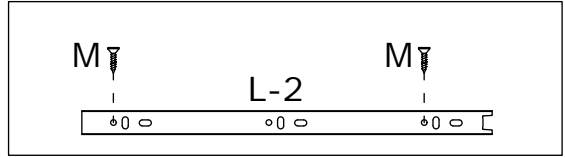
Secure panels 26 and 27 to panel 28, panels 26, 27 and 39 to panel 29, panels 32 and 33 to panel 34 using screws (F) .



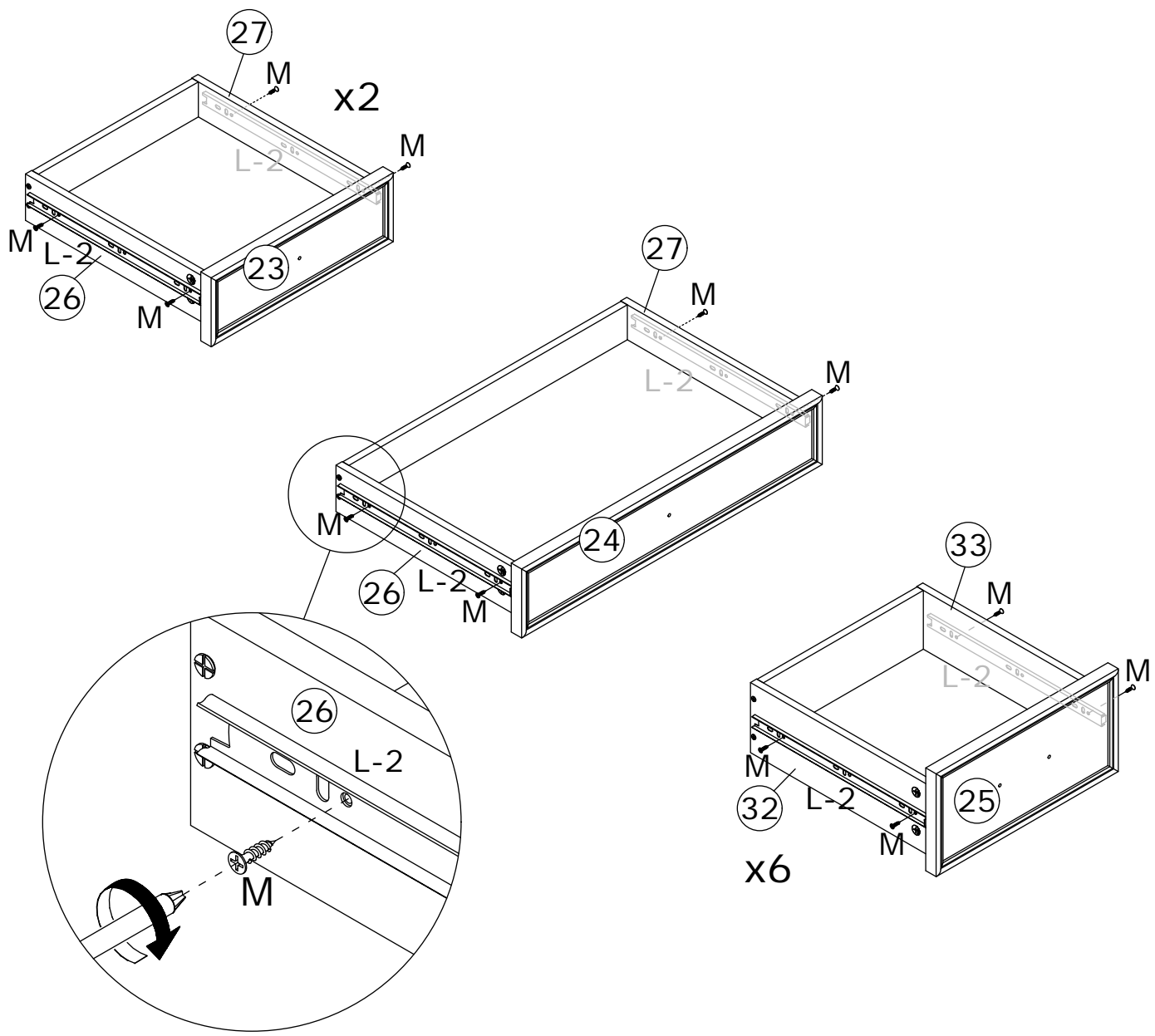
48

L x 9 L-2 #3508 14"	M x 36 CRD3512A	
---------------------------	--------------------	---

	M CRD3512A	N CRD3514A	U CRD0314A
--	---------------	--------------------------	--------------------------



Secure slide rail (L-2) to panels 26, 27, 32, and 33 using screws (M).

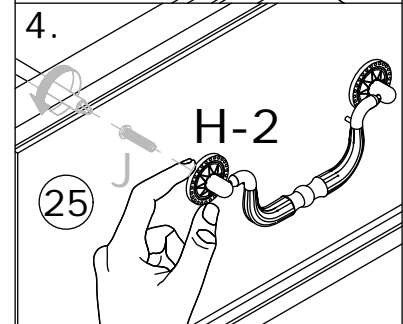
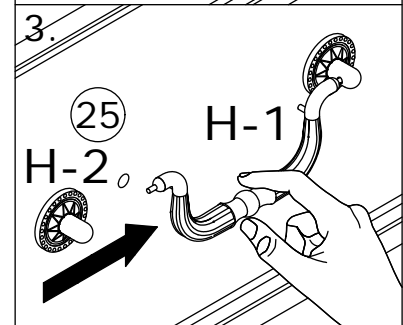
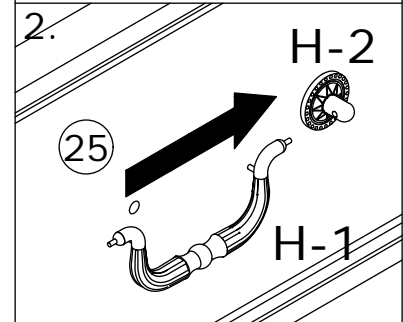
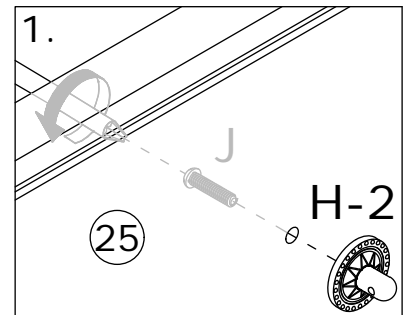
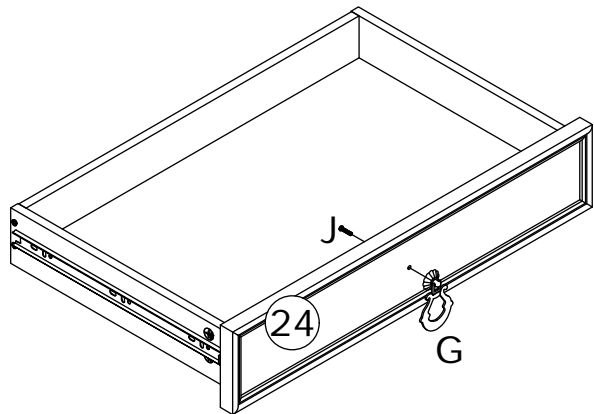
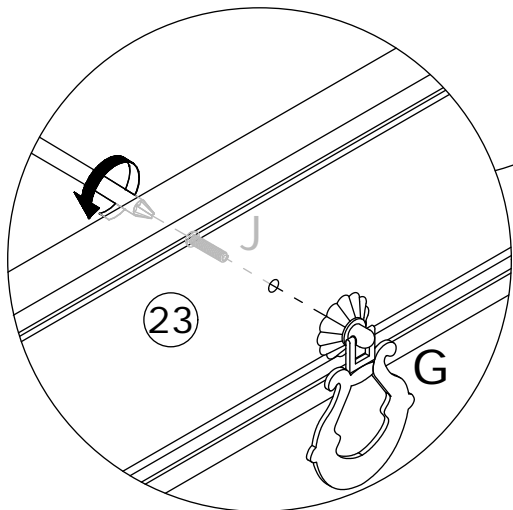
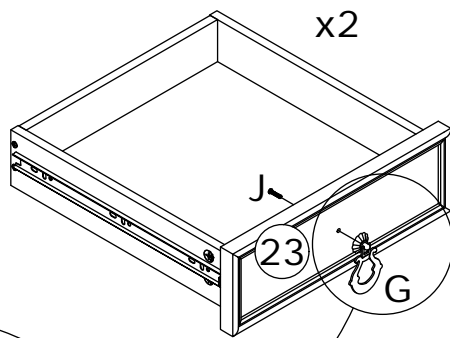
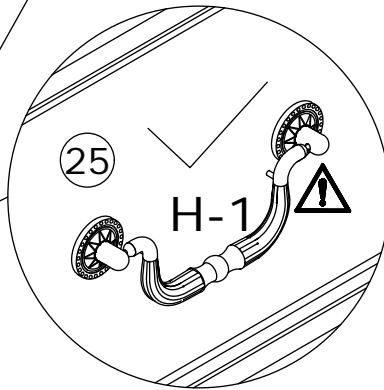
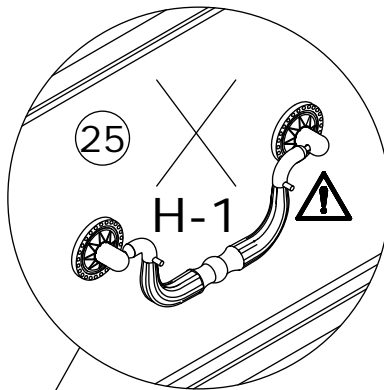
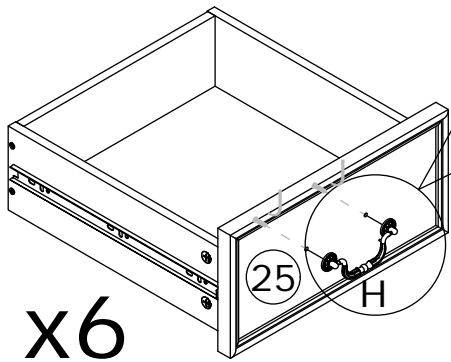


49



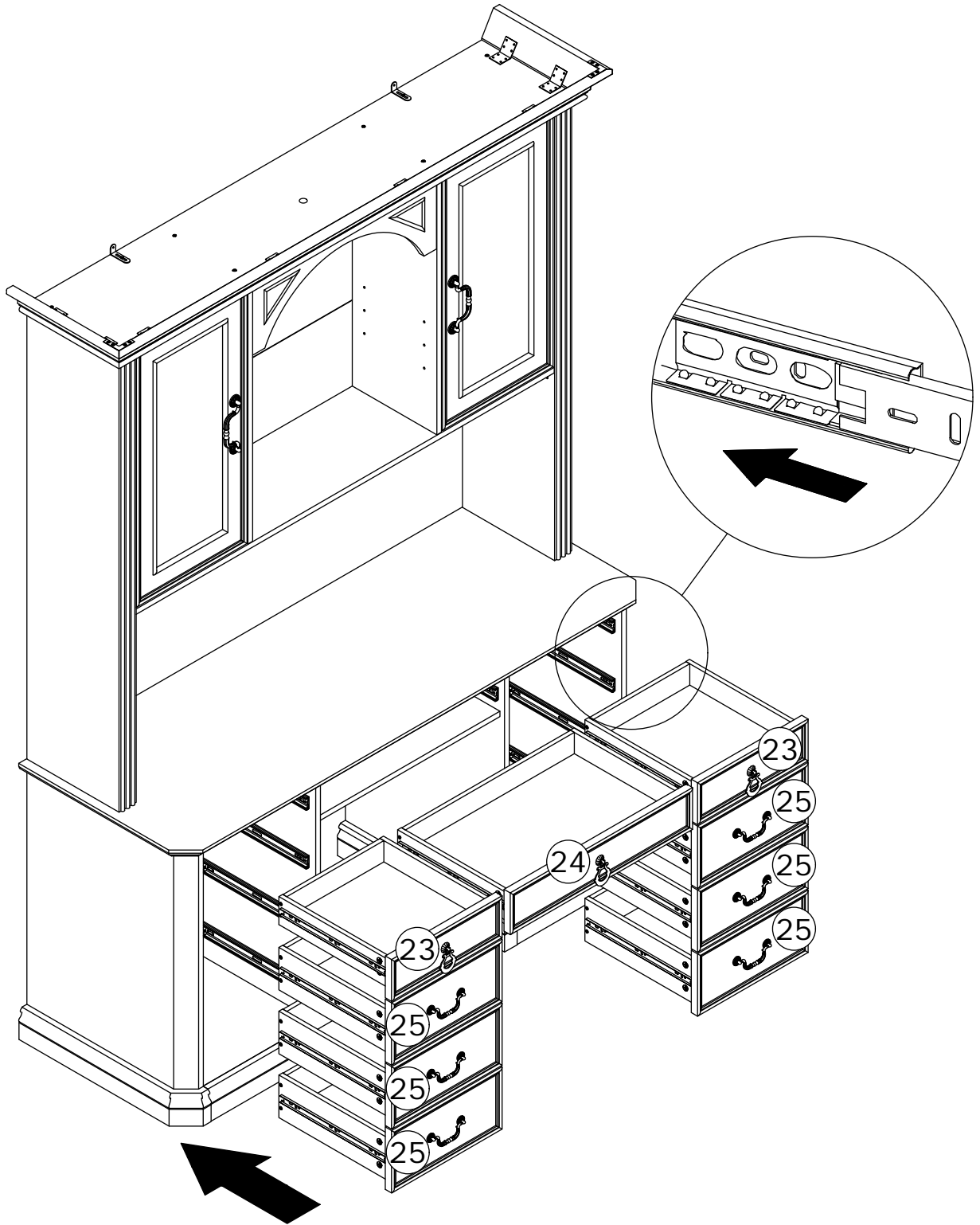
Secure handle (H) and (G) to panels 25, 23 and 24 using screws (J).

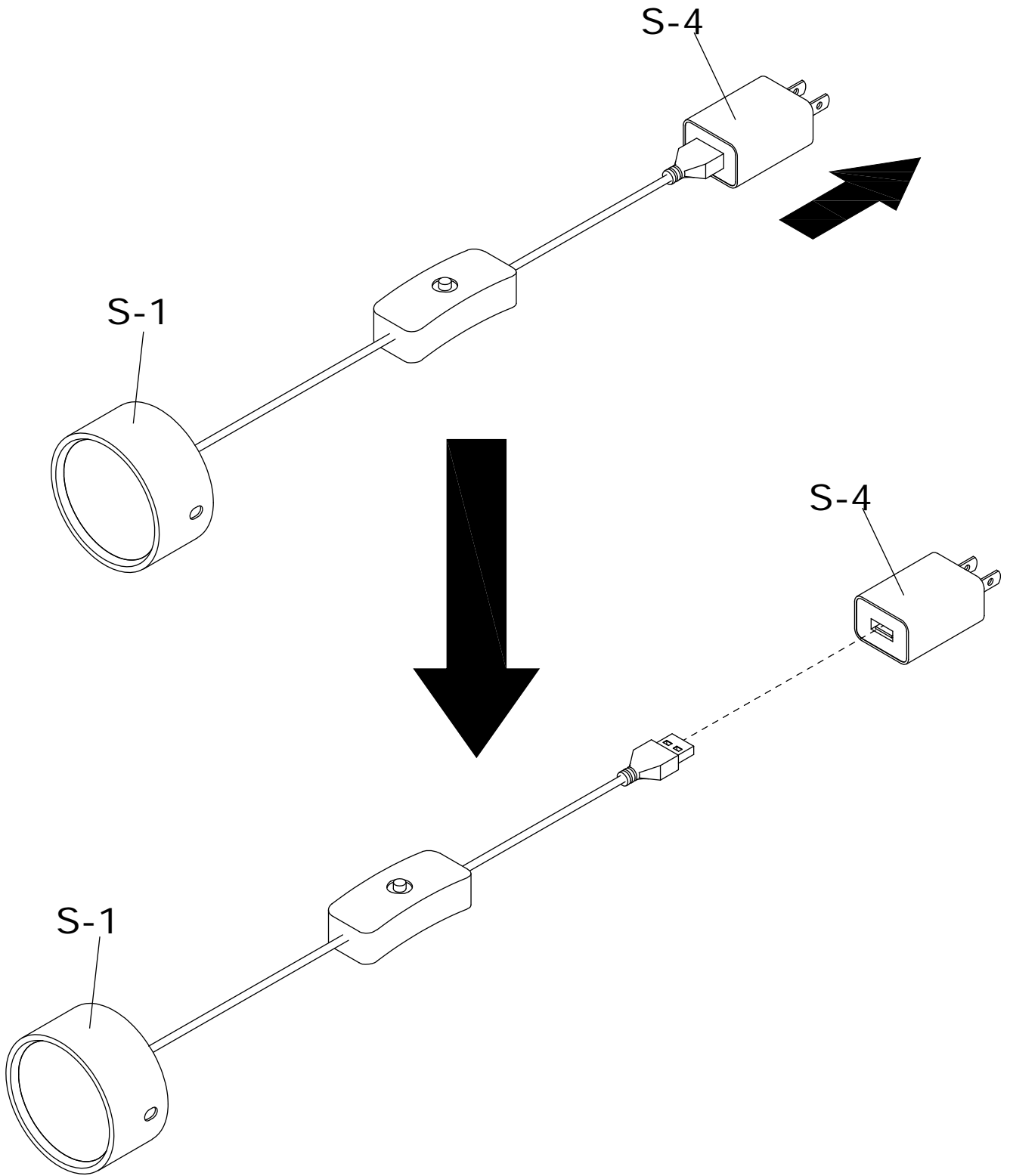
Note: Pay attention to the installation orientation of handle (H-1).



50


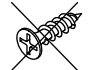

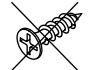
Insert the drawers to the main unit.



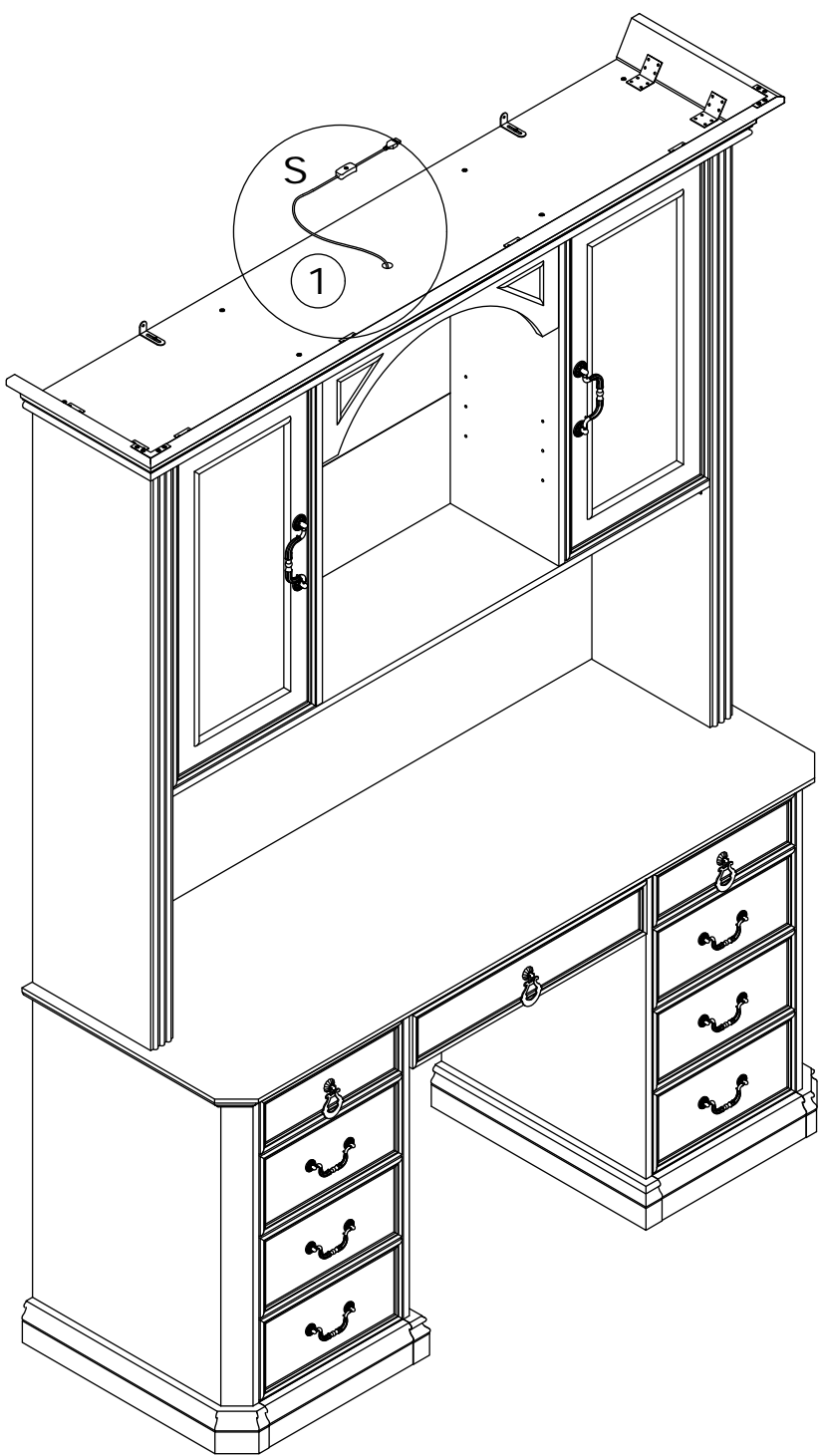


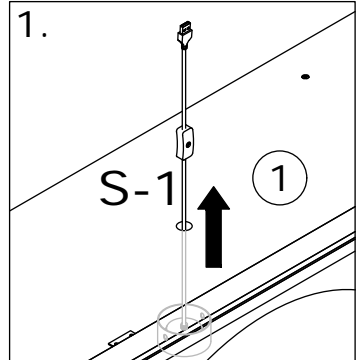
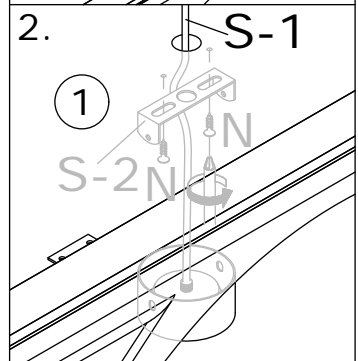
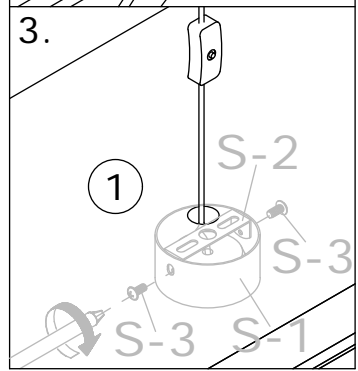
51

N x 2  CRD3514A	S x 1 	
--	--	---

	M  CRD3512A	N  CRD3514A	U  CRD0314A
--	--	--	--

Attach component (S) to panel 1 using screws (N).



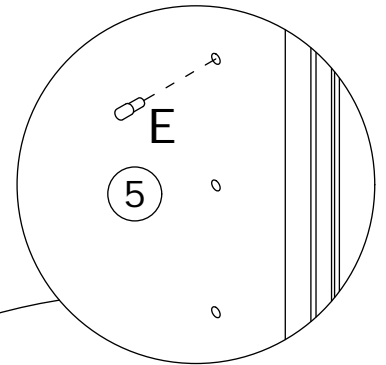
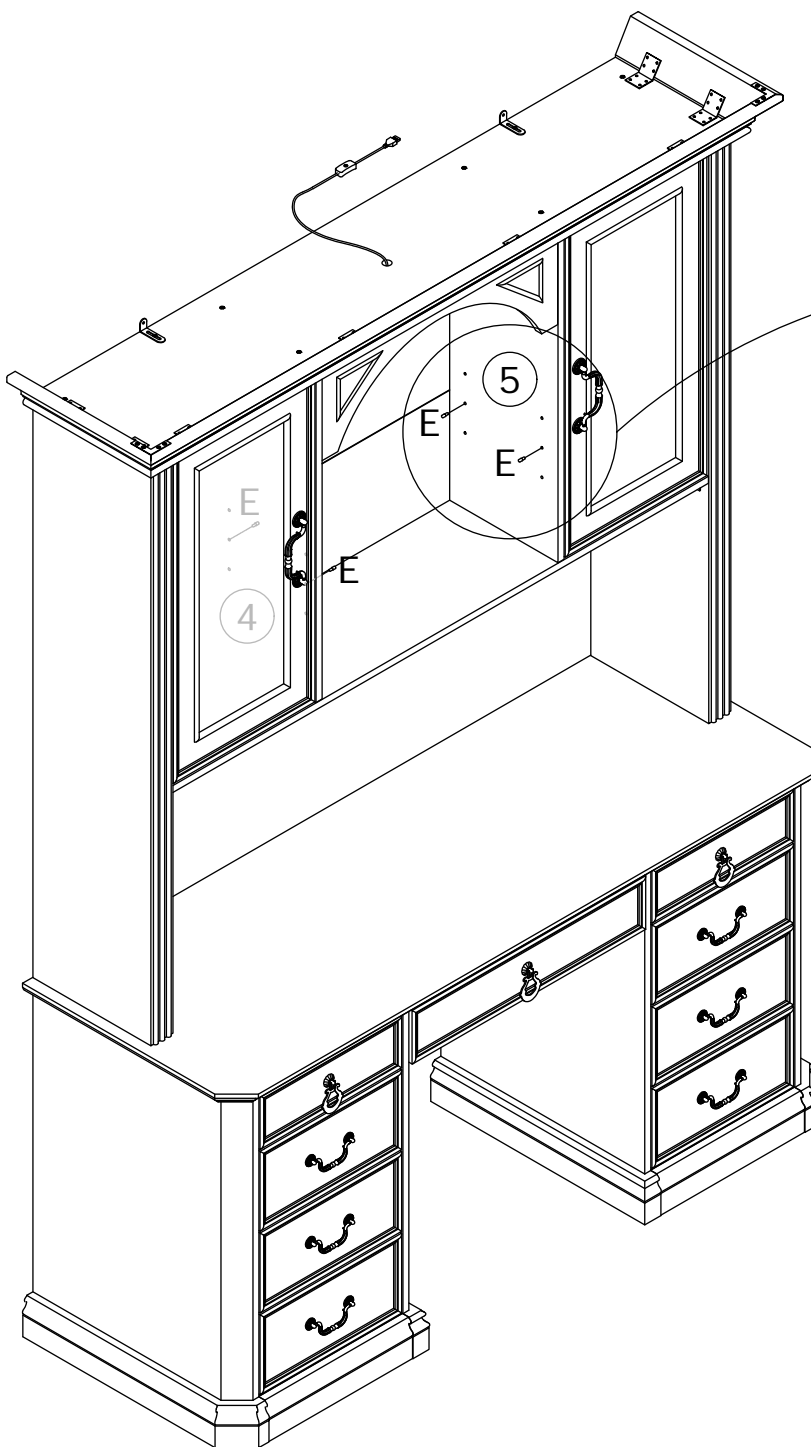
- 
- 
- 

52

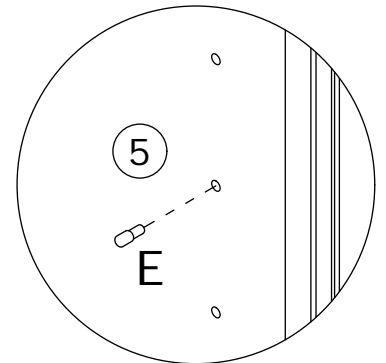
E x 4



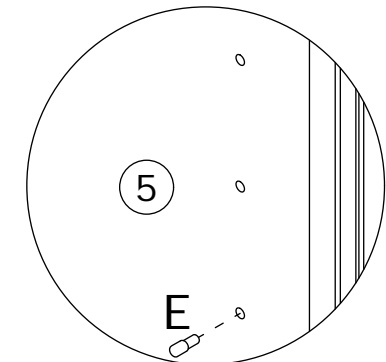
Insert layer pins (E) onto panels 4 and 5.



OR

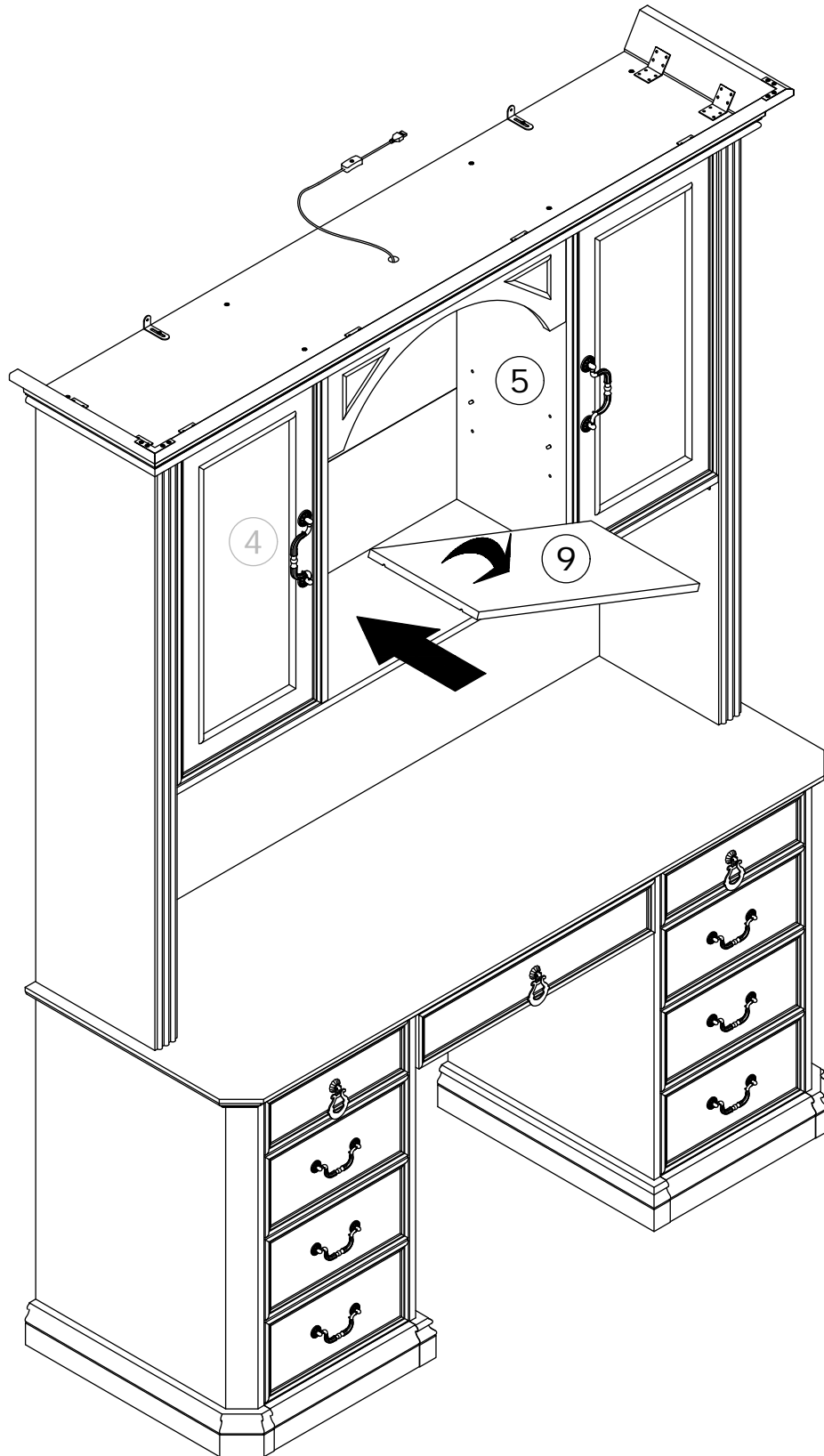


OR

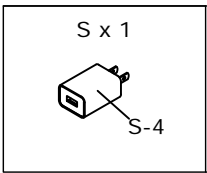


53

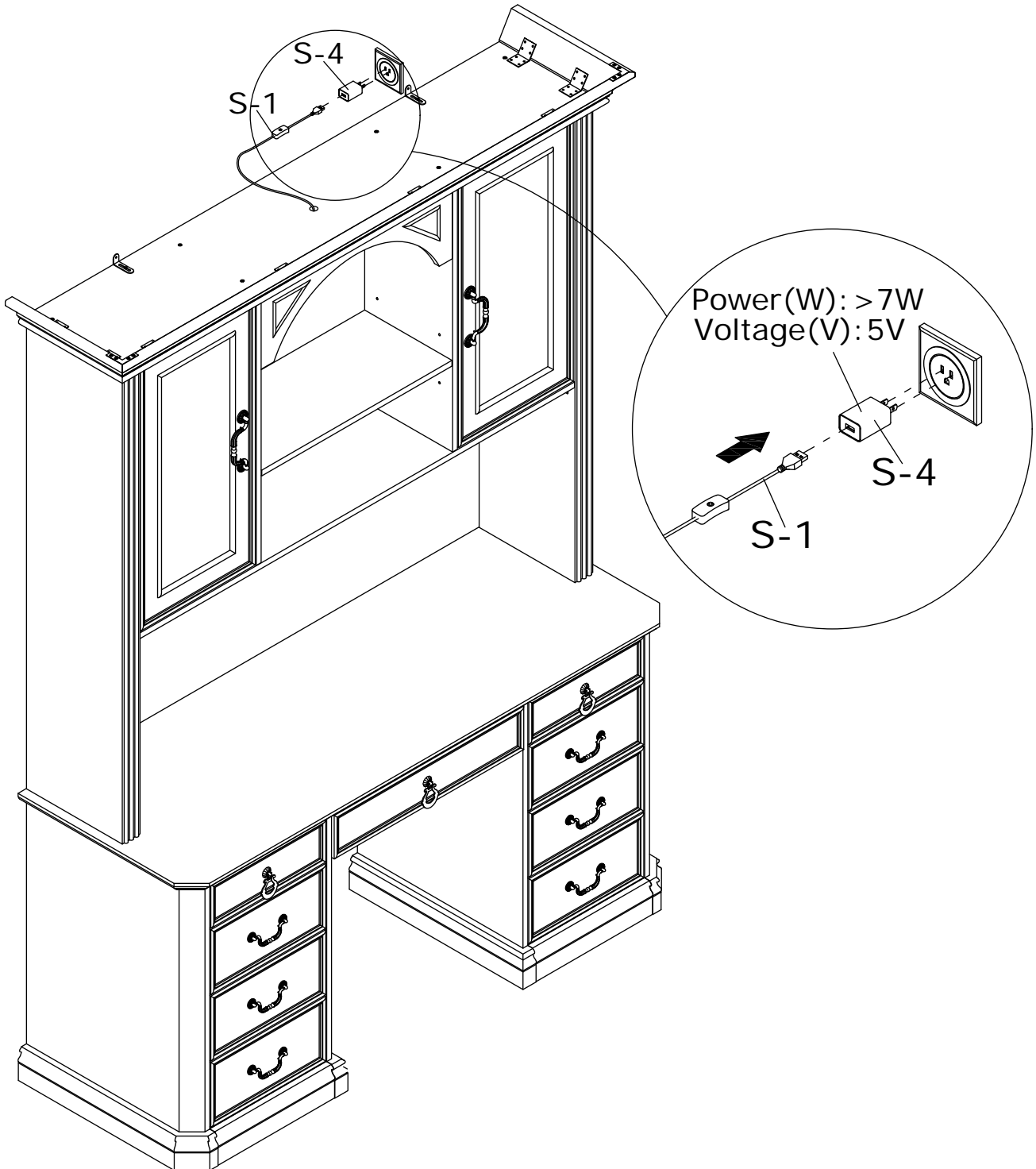
Place panel 9 to the main body.

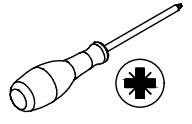


54

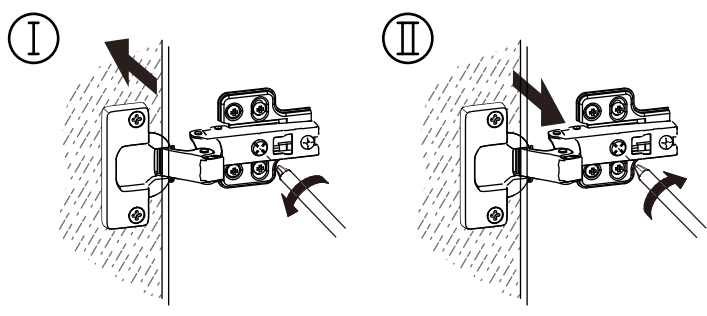
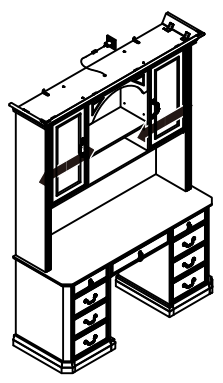
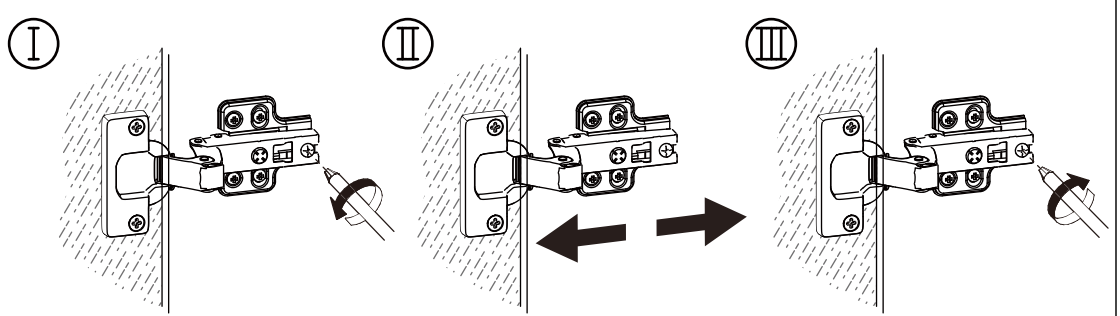
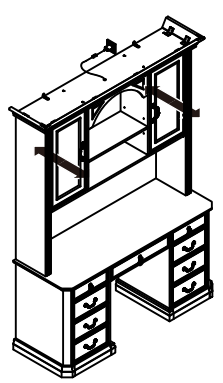
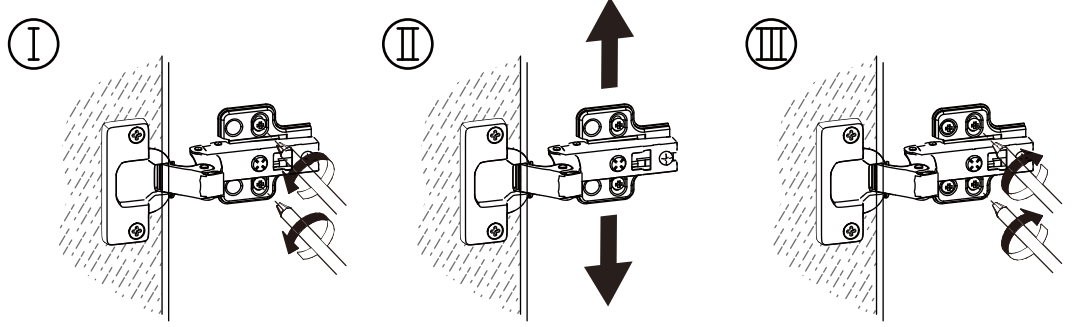
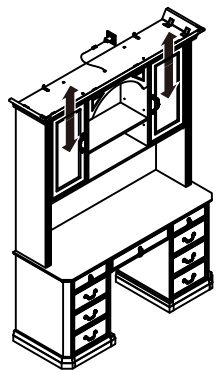
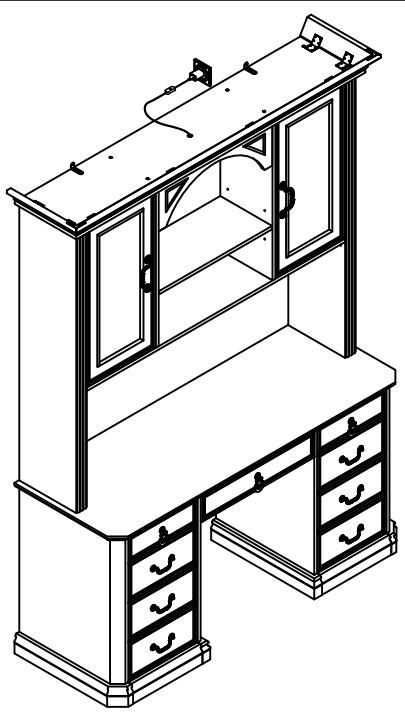


Connect component (S) to the power supply.





The hinges on the doors can be adjusted to line the doors up exactly.



WARRANTY

WARRANTY CLAIMS

- There is a 30-day warranty for broken furniture or any other problems that do not work properly. The warranty will start from the date of purchase which must be verified by proof of purchase.
- Before making a claim, we may be able to answer your query, simply call us. Please leave your purchase order number, along with some details of the problem, if you want a replacement part. We will arrange within 48 hours. If there is out of stock, we will reply with a shipping date.
- The product must be used in accordance with the instructions provided. For health reasons.
- For other reasons, if the furniture needs to be returned, it must be cleaned and dried and operated within 30 days of receipt.

Type of Warranty Claim

- Failure to follow the furniture instructions will invalidate the warranty. Attention please.
- Does not include damage during installation, but includes damage during transportation.

Scope of responsibility

- Shall not bear any responsibility for misuse or user damage and / or loss of parts during the installation of furniture.
- After using, the damage and scratches of the furniture are not covered by the warranty.

The Warranty Relates to All Bought in The Us and Covers The Following Areas

- Sheet parts: 1 month from the date of purchase.
- Electrical parts: 1 month from the date of purchase.

RETURNS

CHANGED YOUR MIND AND NEED TO RETURN YOU ITEM?

PLEASE FOLLOW THE BELOW INSTRUCTIONS:

- If you have purchased and have simply changed your mind, follow the retailer's instructions for returns.

DEFECTIVE ITEMS

- If your item is defective in any way, i.e. it doesn't work but you can't identify why, in the first instance, please call us.

DAMAGED ITEMS

- If you receive an order with obvious shipping damage from the retailer, then we suggest the delivery is refused. If the delivery has been accepted and then shipping damage is found, please follow the specific instructions advised by the retailer.
In all circumstances please save all packaging material and paperwork for the order. Please be aware that if you dispose of packaging material or attempt to return the merchandise without contacting the fulfiller, you jeopardise your chances of making a claim, and you may not receive a credit for the return.