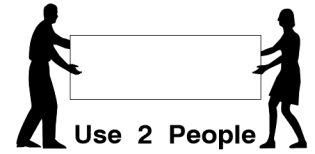
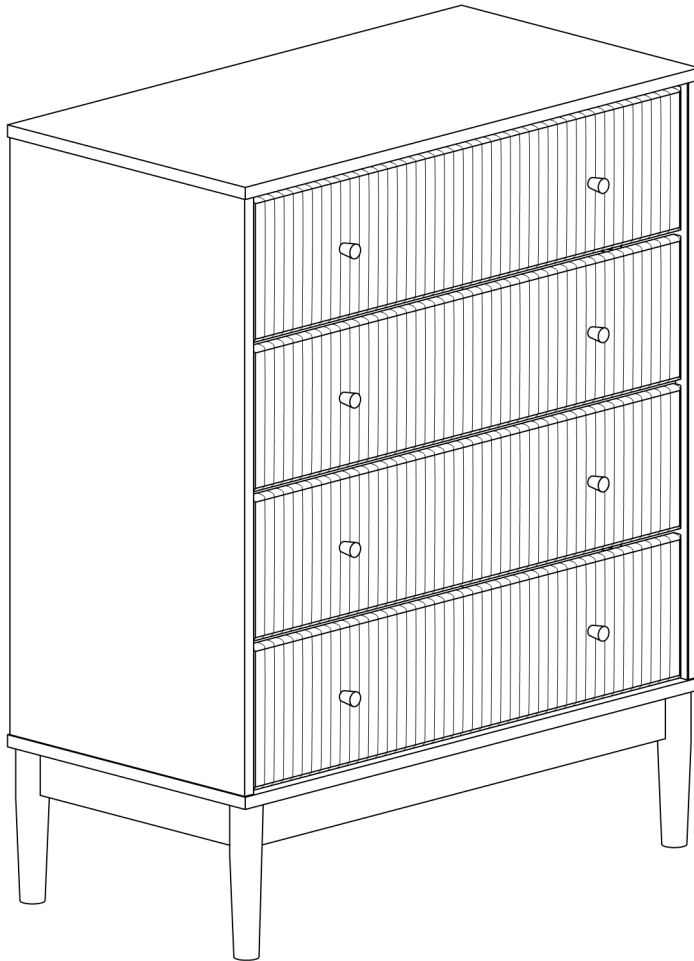


9012 4 Drawer Chest

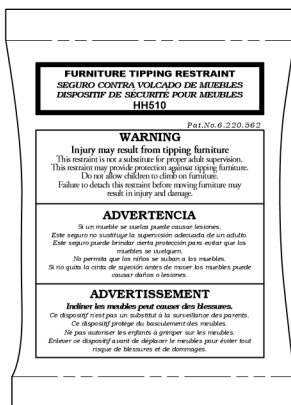
Assembly Instructions

WI-0724



Note: Do not assemble using power tools. This can cause the bolts to be overtightened

WARNING



Anti Tipping Kit
Anti Tipping Kit x 1



Children have died from furniture tipover.

To reduce the risk of furniture tipover:

- ALWAYS install anti-tip device provided.
- NEVER put a TV on this product.
- NEVER allow children to stand, climb, or hang on any drawers, doors or shelves.
- NEVER open more than one drawer at a time.
- DO NOT defeat or remove the drawer interlock system; it is an important stability and safety system.
- Place heaviest items in the lowest drawer.

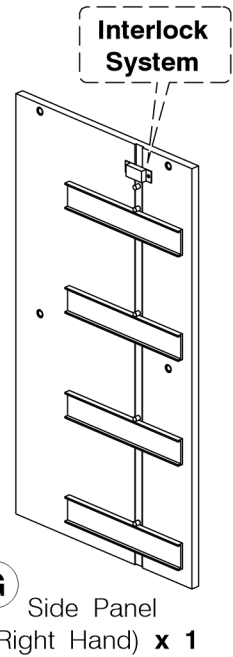
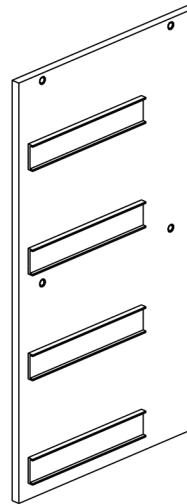
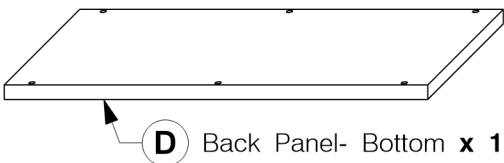
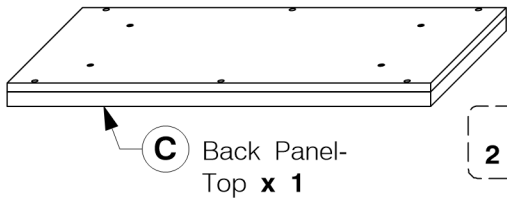
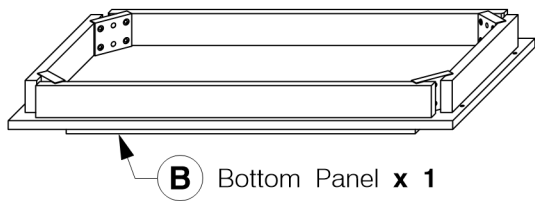
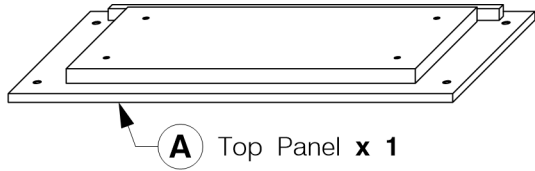
9012 4 Drawer Chest

Assembly Instructions

WI-0724

1 Parts List

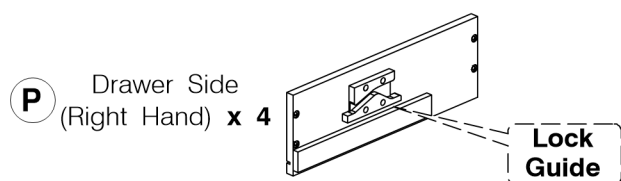
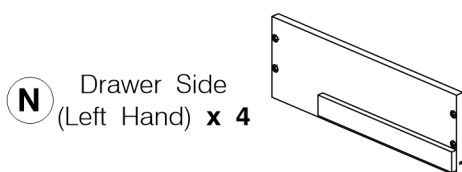
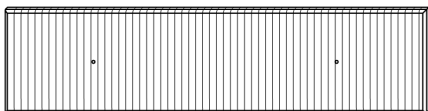
Parts in Box A:



Note:
2 Layers



Parts in Box B:

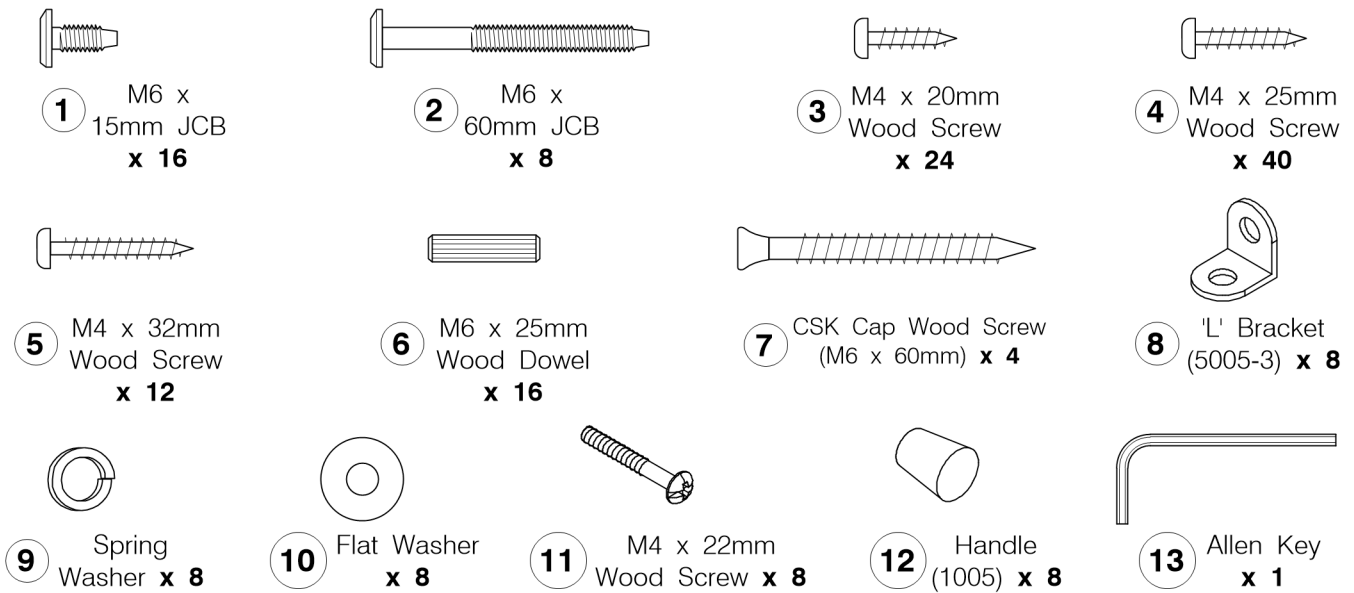


9012 4 Drawer Chest

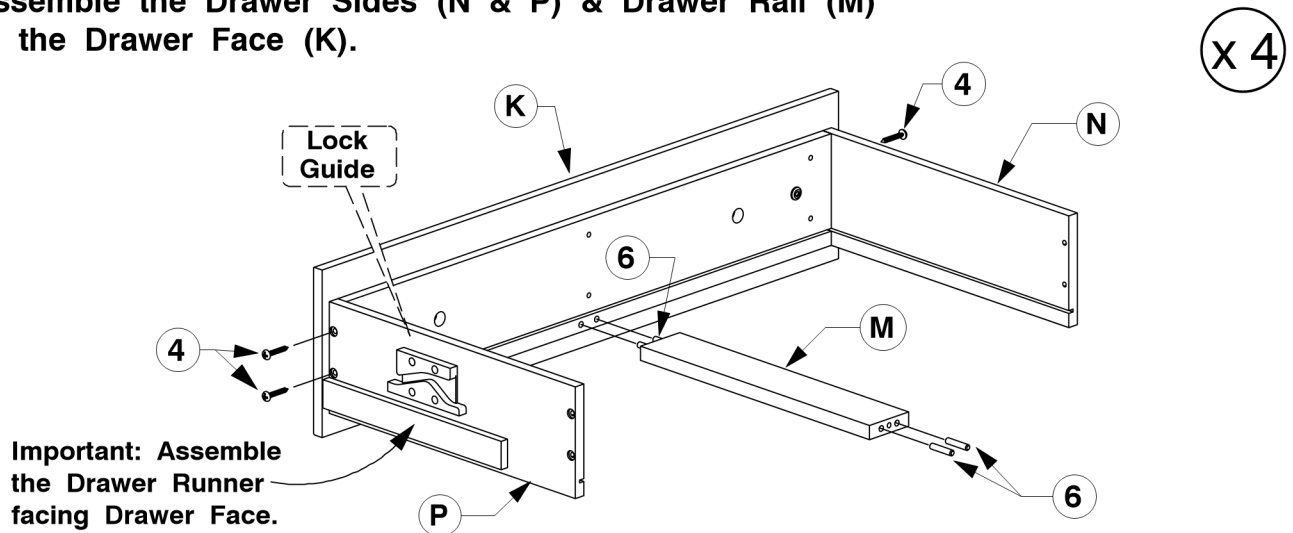
Assembly Instructions

WI-0724

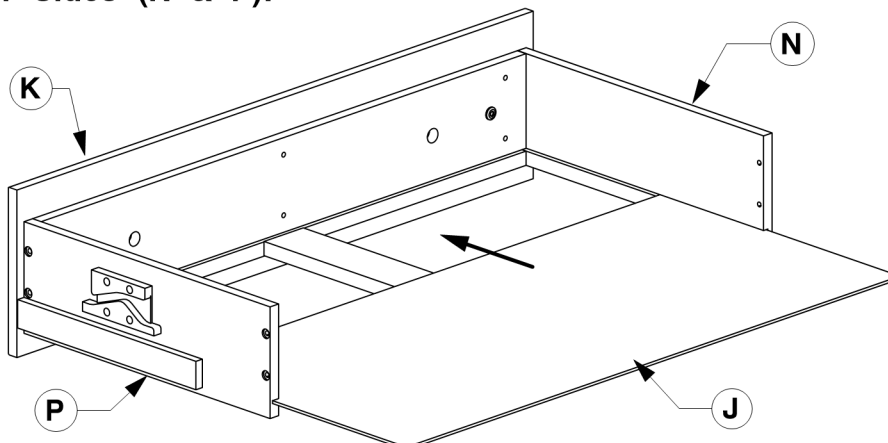
2 Hardware List



3 Assemble the Drawer Sides (N & P) & Drawer Rail (M) to the Drawer Face (K).



4 Slide the Drawer Bottom (J) into the groove on the Drawer Sides (N & P).

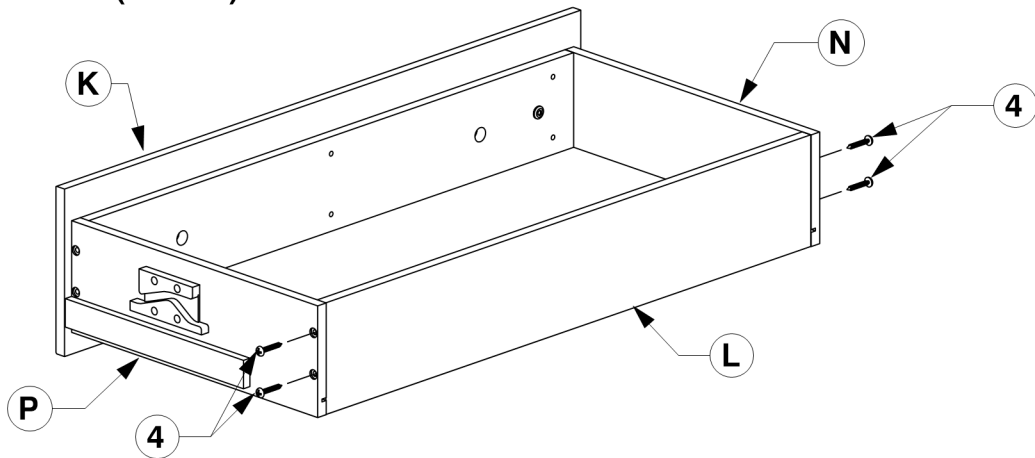


9012 4 Drawer Chest

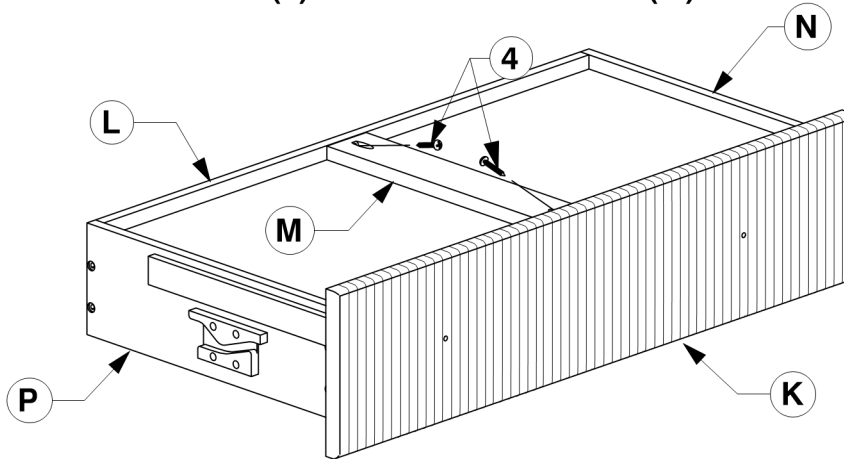
Assembly Instructions

WI-0724

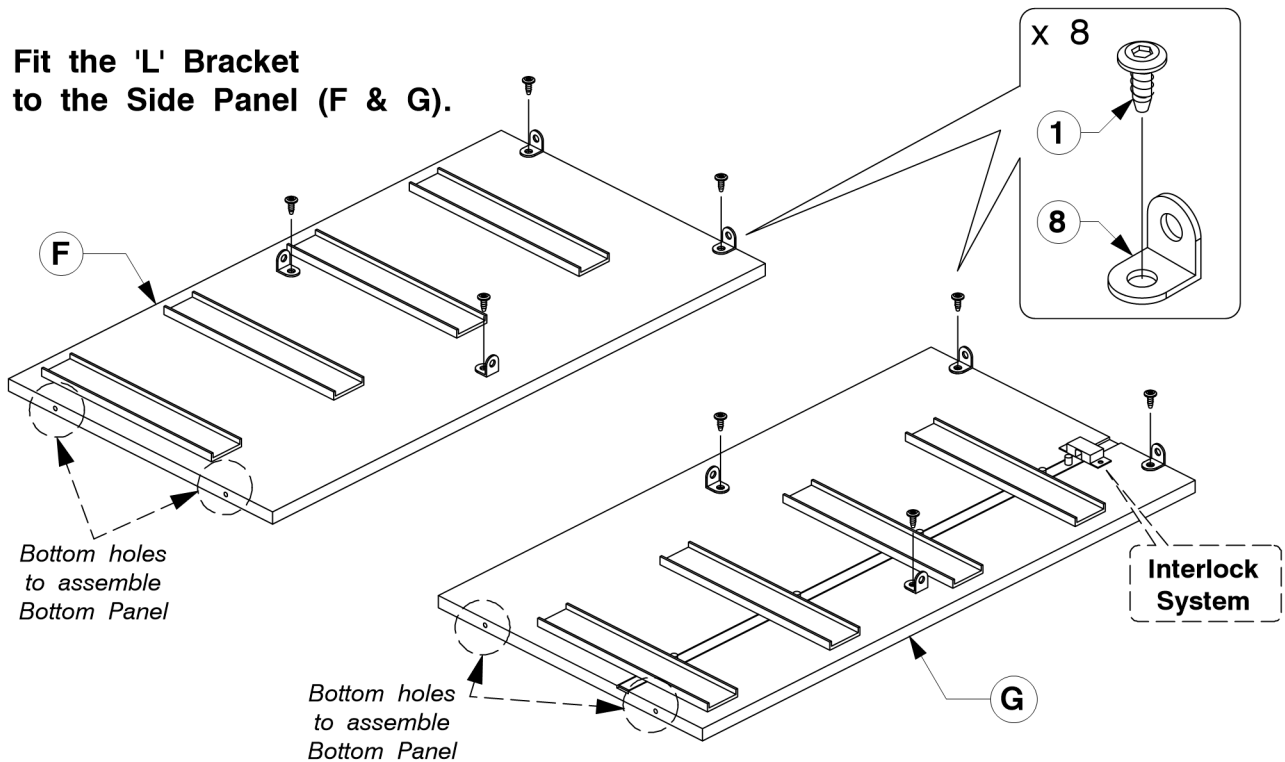
- 5** Assemble the Drawer Back (L) to the Drawer Sides (N & P).



- 6** Turn the Drawer over to fit angled 25mm Wood screws (4) to the Drawer Rail (M).



- 7** Fit the 'L' Bracket to the Side Panel (F & G).

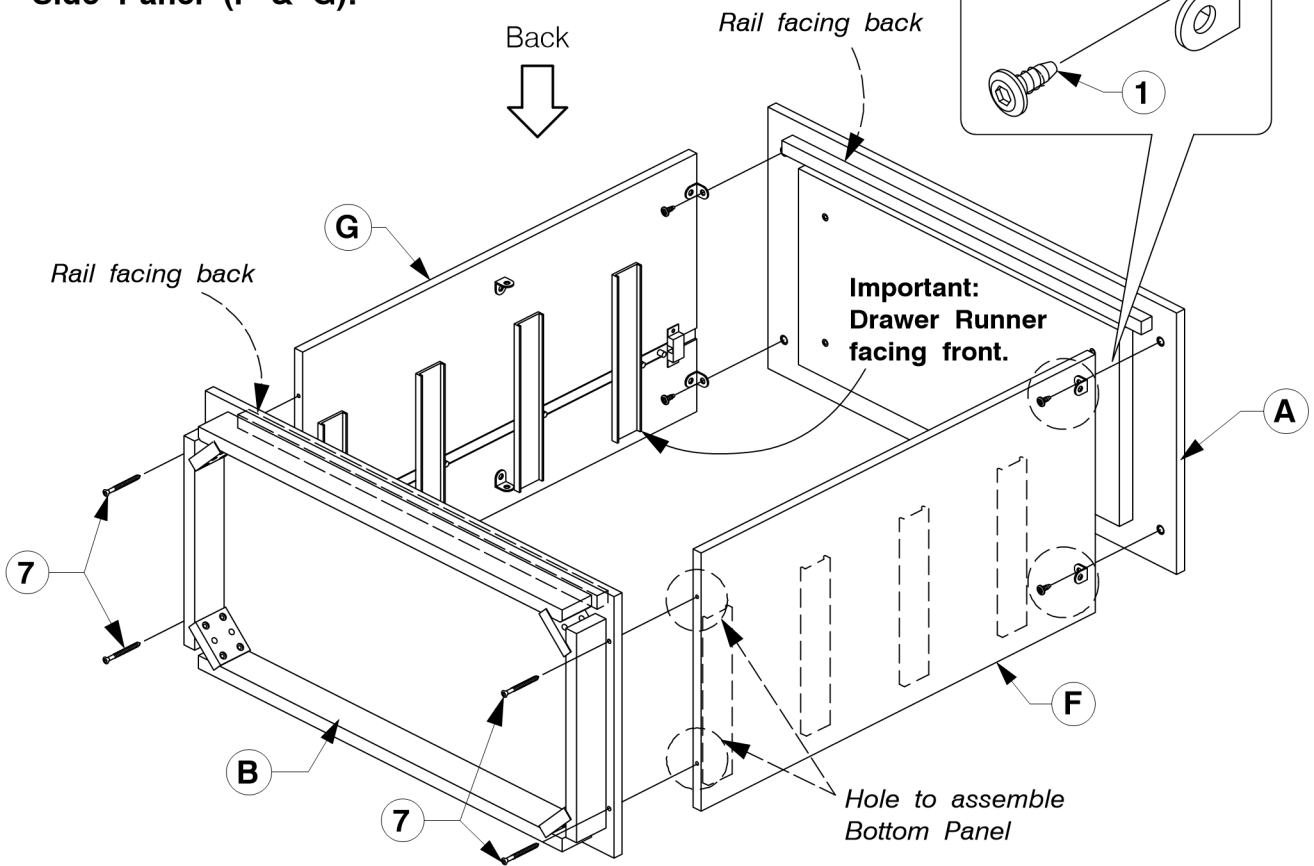


9012 4 Drawer Chest

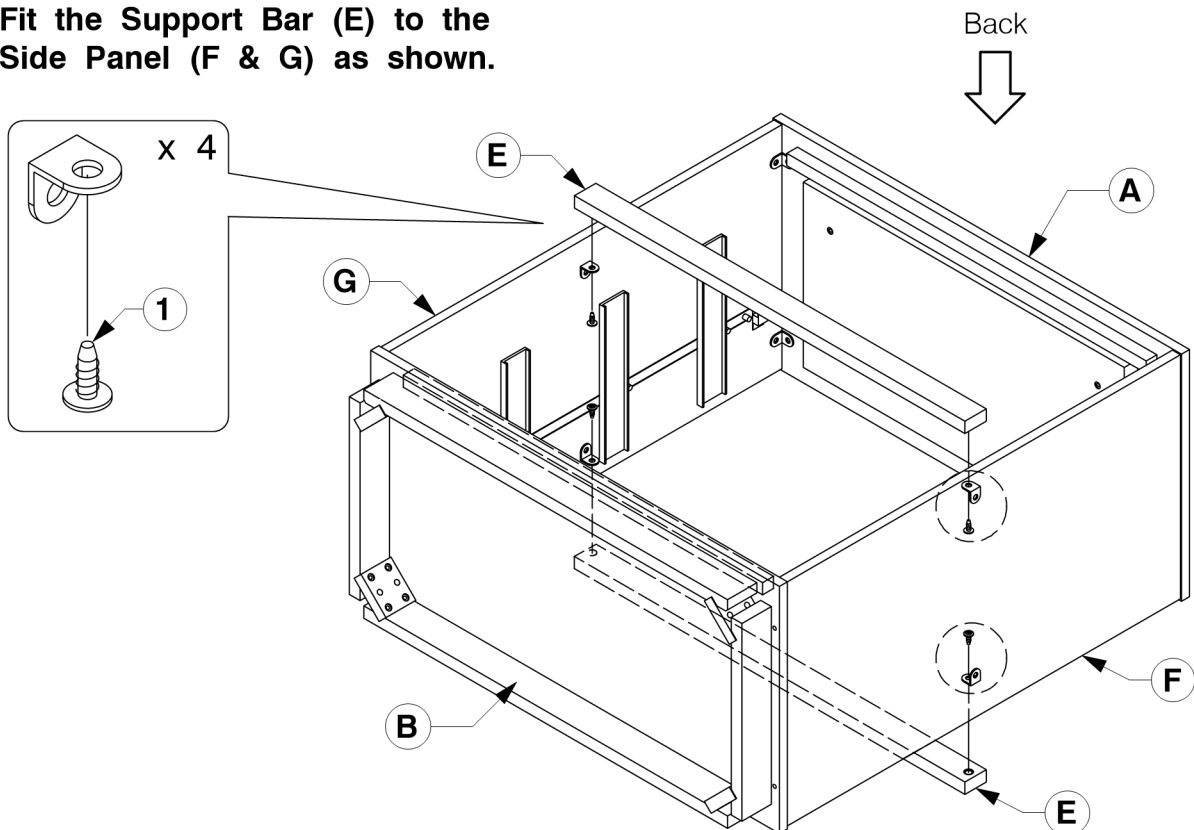
Assembly Instructions

WI-0724

- 8** Assembled the Top Panel (A) & Bottom Panel (B) to the Side Panel (F & G).



- 9** Fit the Support Bar (E) to the Side Panel (F & G) as shown.

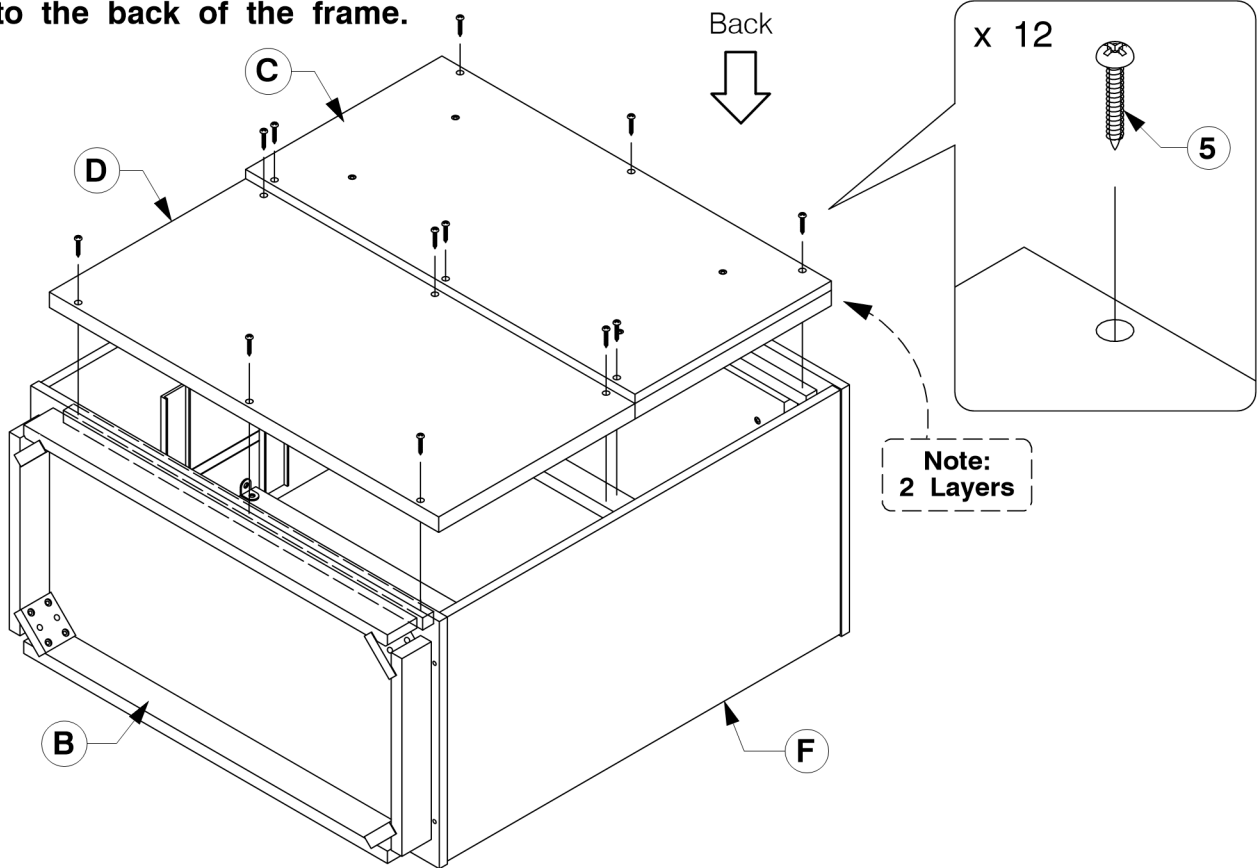


9012 4 Drawer Chest

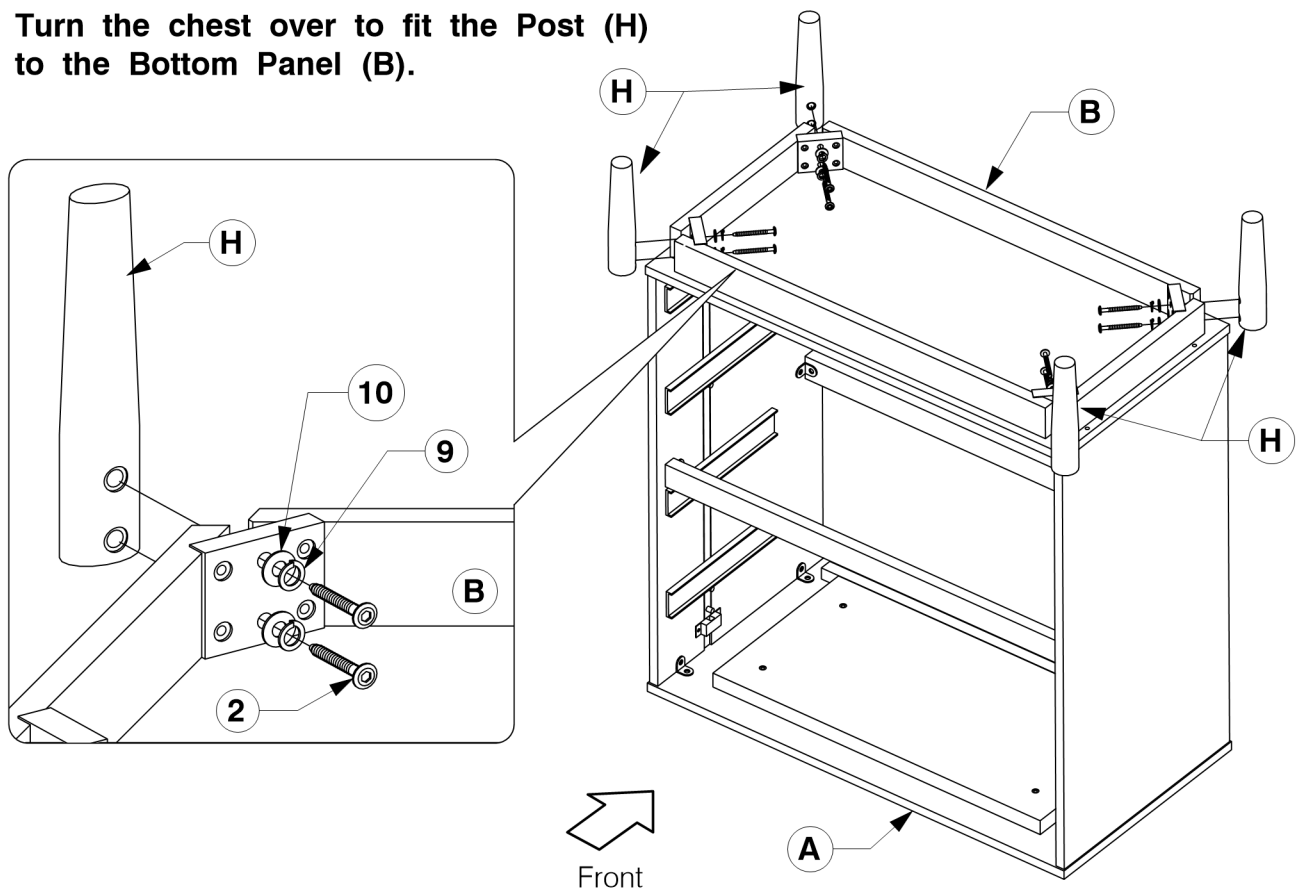
Assembly Instructions

WI-0724

- 10** Fit the Back Panel- Top & Bottom (C & D) to the back of the frame.



- 11** Turn the chest over to fit the Post (H) to the Bottom Panel (B).

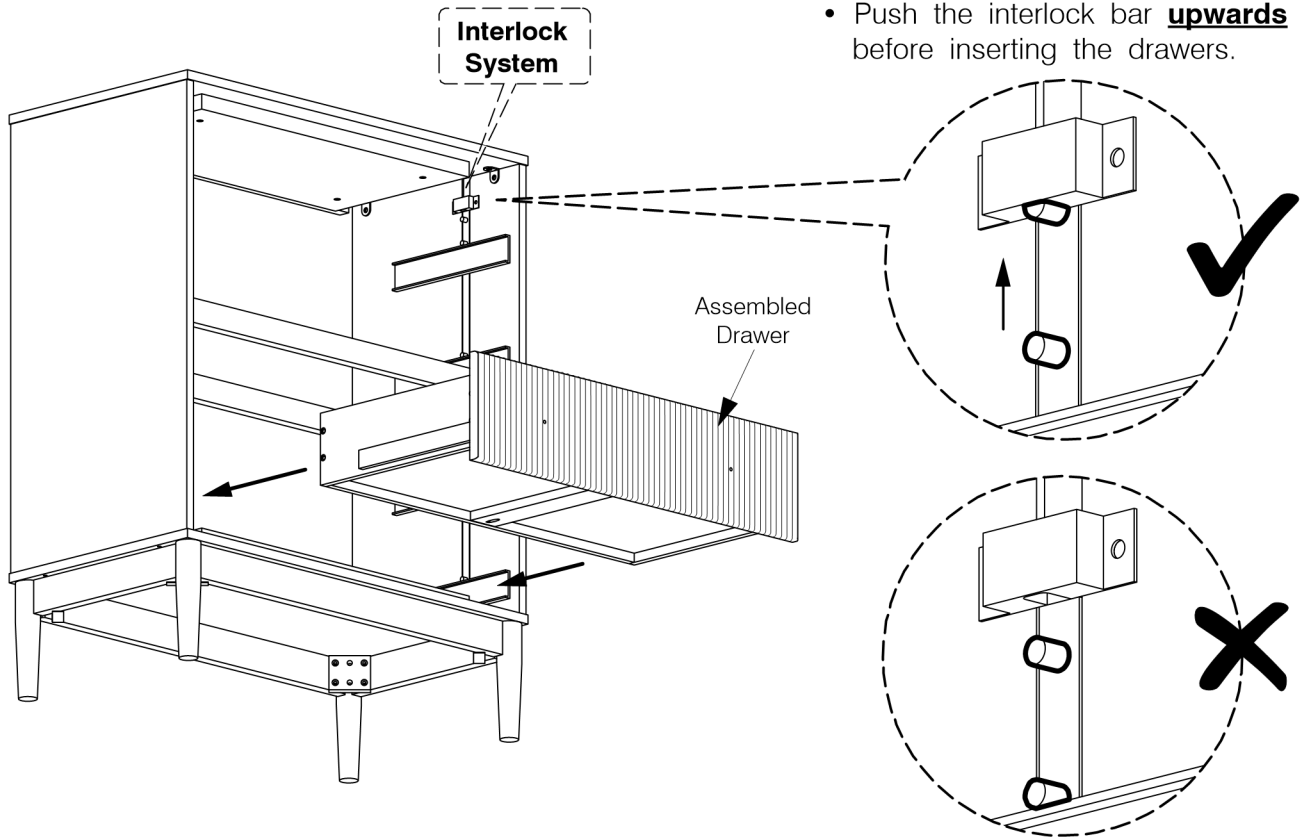


9012 4 Drawer Chest

Assembly Instructions

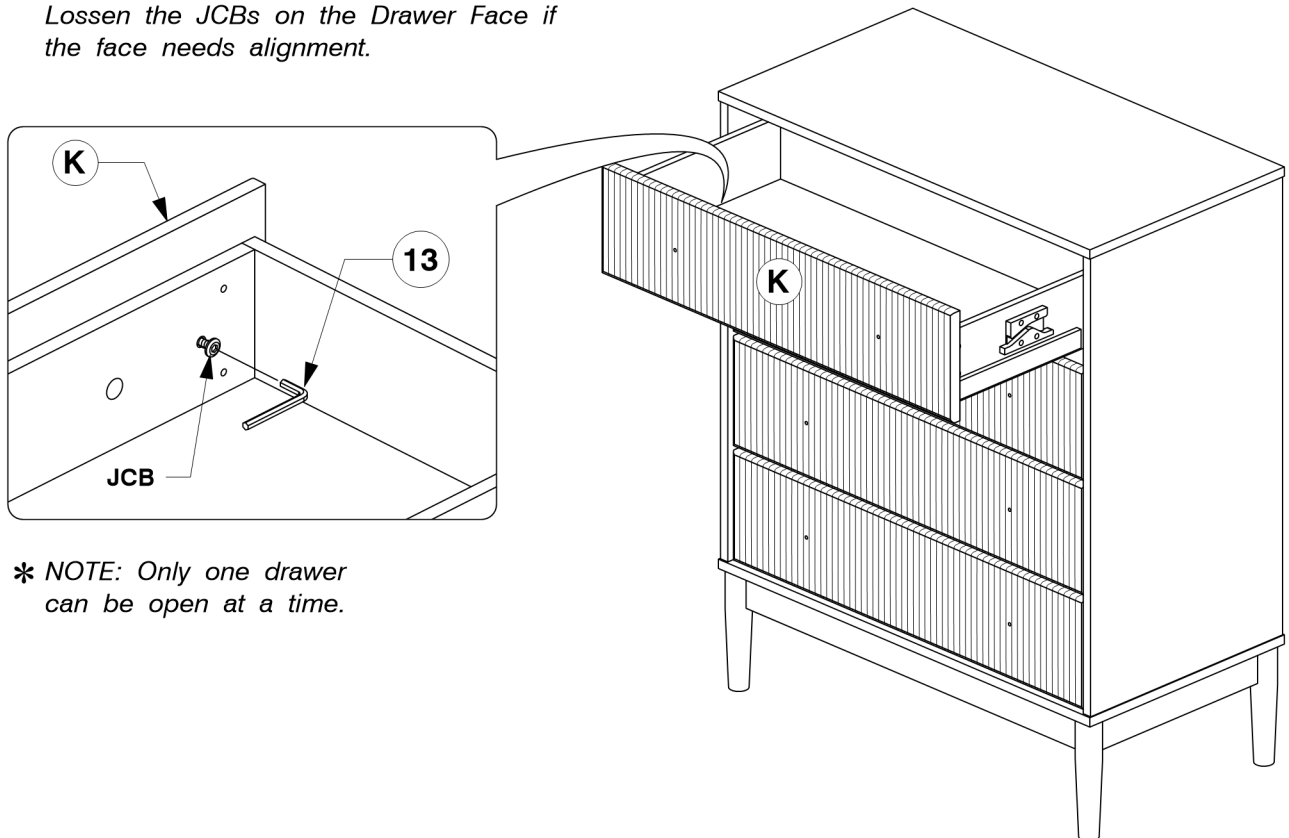
WI-0724

12 Install the Drawer.



13 Fit and adjust the Drawer Face (K).

* NOTE: Before fitting the Wood Screws.
Loosen the JCBs on the Drawer Face if the face needs alignment.



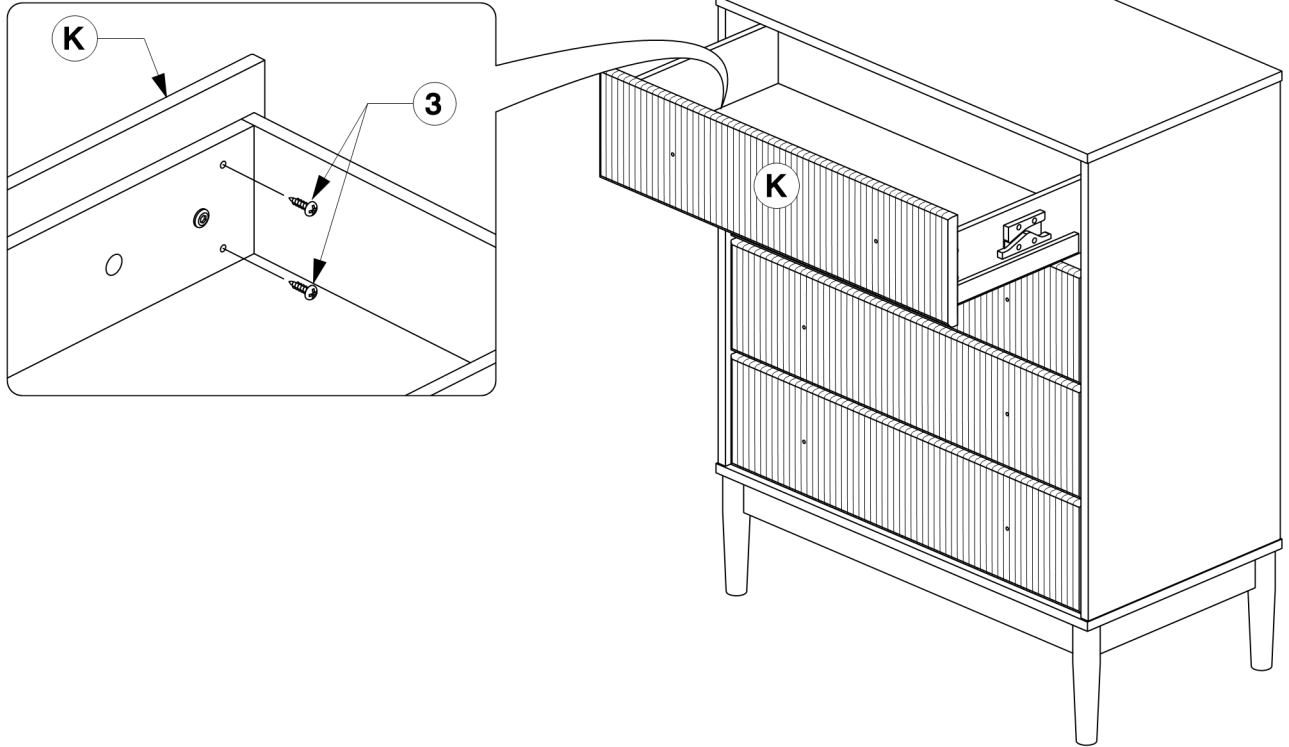
9012 4 Drawer Chest

Assembly Instructions

WI-0724

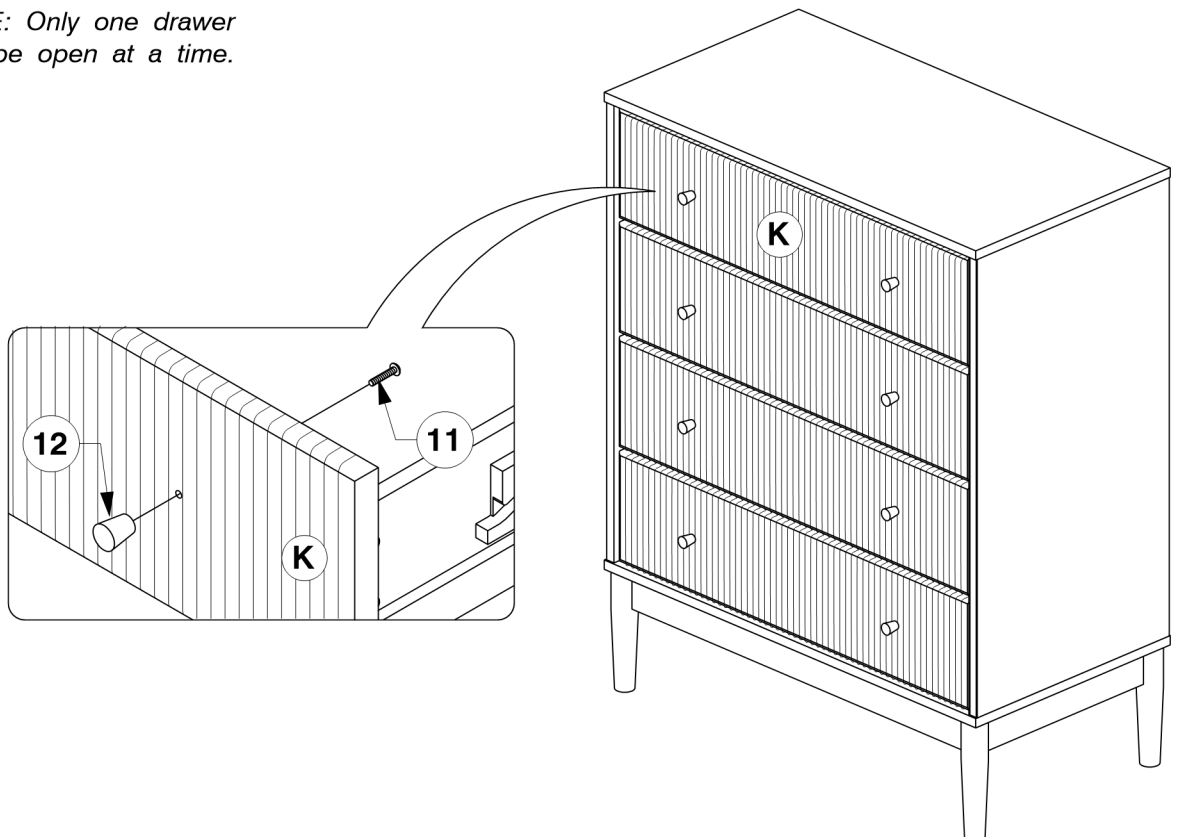
- 14** After the Drawer Faces (K) are aligned, secure with wood screws.

* NOTE: Only one drawer can be open at a time.



- 15** Finally, fit the Handle to the Drawer Face (K).

* NOTE: Only one drawer can be open at a time.



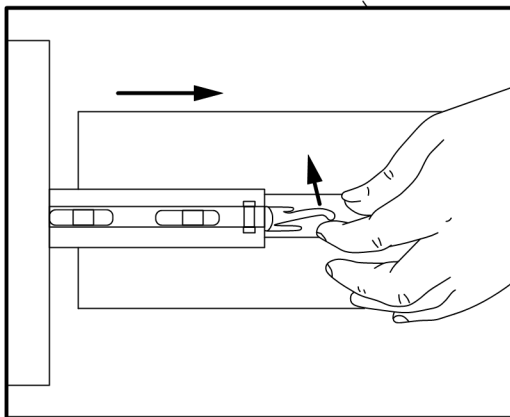
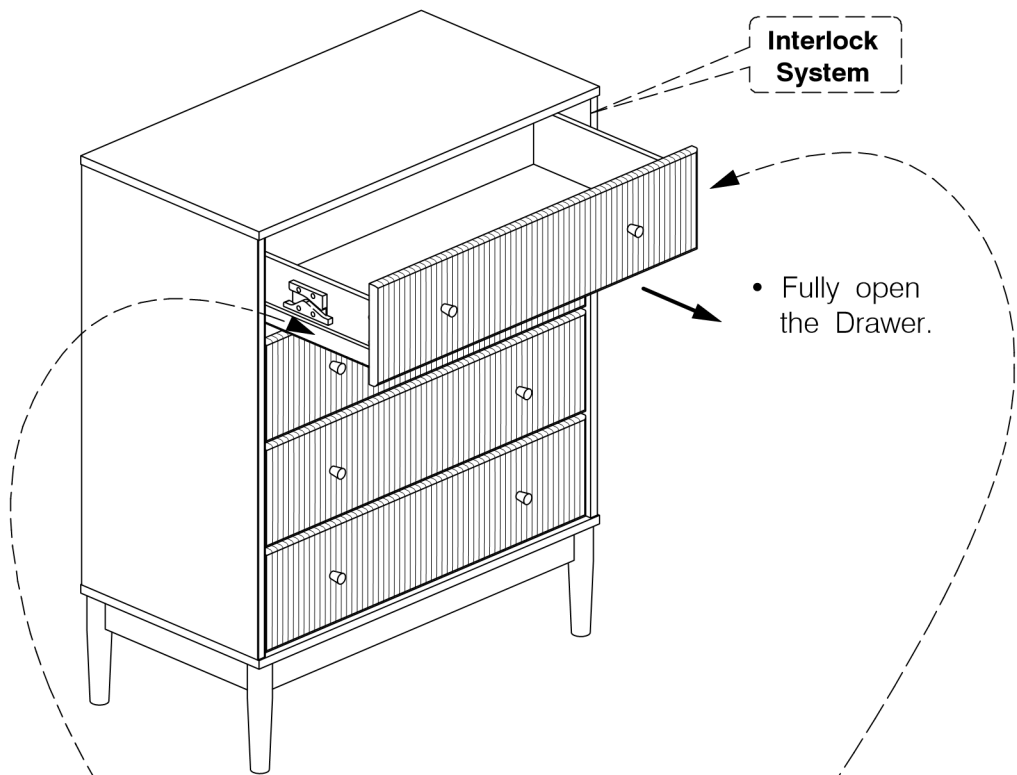
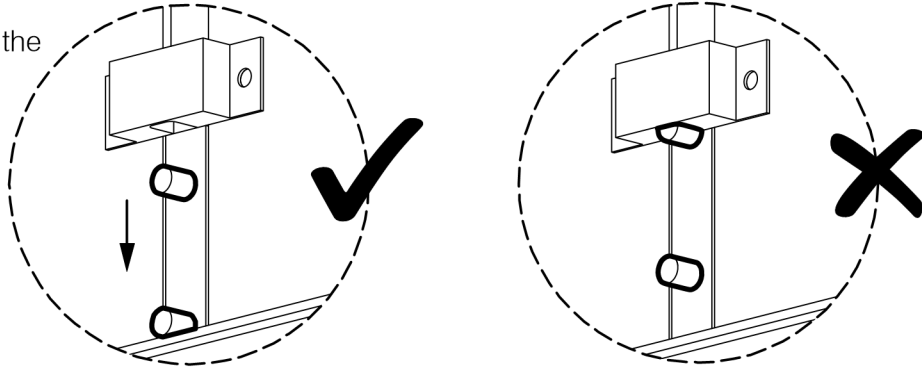
9012 4 Drawer Chest

Assembly Instructions

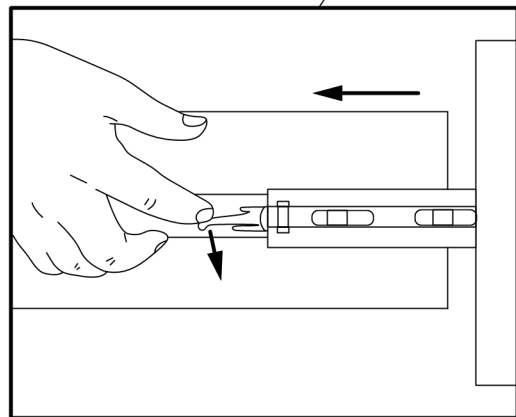
WI-0724

16 Remove the Drawers.

- After removing the top drawer, push the interlock bar **down**. Then remove the lower drawers.



- Lift the **LEFT** side clip up.



- Push **RIGHT** side clip down.