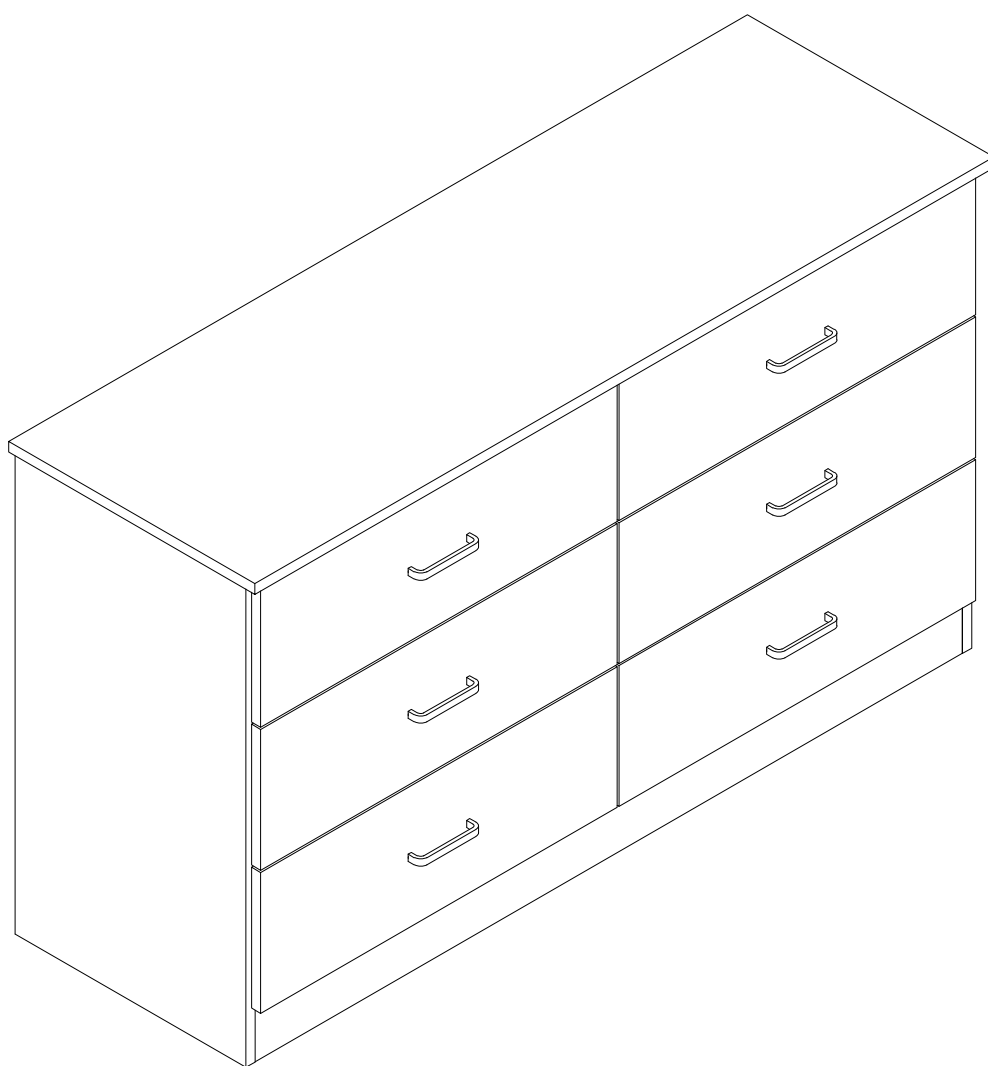


# Bucket cabinet

## Assembly Instructions



### Dimensions

Width - 119.4CM

Depth - 40CM

Height - 70.3CM

**Important – Please read these instructions fully before starting assembly**



# Safety and Care Advice

**Important – Please read these instructions fully before starting assembly**

- Check you have all the components and tools listed on the following pages.
- Remove all fittings from the plastic bags and separate them into their groups.
- Keep children and animals away from the work area, small parts could choke if swallowed.
- Make sure you have enough space to layout the parts before starting.

- During assembly do not stand or put weight on the product, this could cause damage.
- Assemble the item as close to its final position (in the same room) as possible.
- Assemble on a soft level surface to avoid damaging the unit or your floor.
- Parts of the assembly will be easier with 2 people.



- To reduce the likelihood of damaging your product please ensure that your power drill is set on a low torque setting.

## Care and maintenance

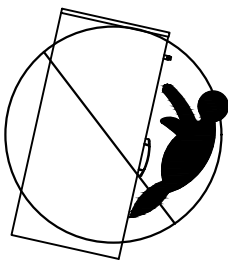
- Only clean using a damp cloth and mild detergent, do not use bleach or abrasive cleaners.
- From time to time check that there are no loose screws on this unit.
- This product should not be discarded with household waste. Take to your local authority waste disposal centre.

## Handy Hints

- Assemble all parts and bolts loosely during assembly, only once the product is complete should you fully tighten the bolts
- Regularly check and ensure That all bolts and fittings are tightend properly.



## WARNING

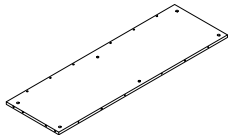
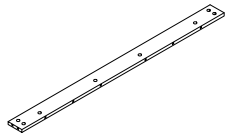

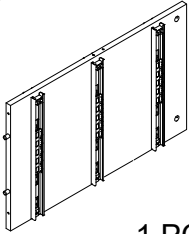
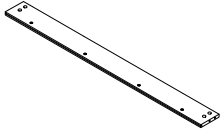
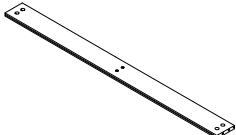
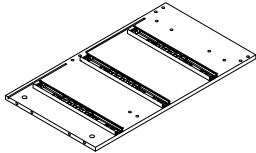
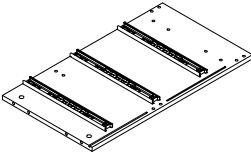
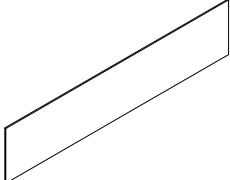
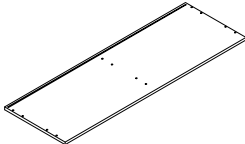
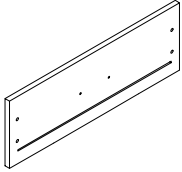
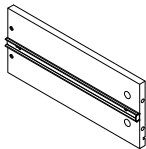
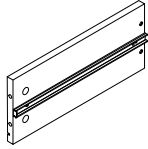
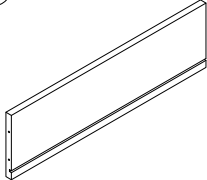
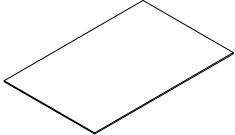


Children have died from furniture tipover.  
 To reduce the risk of furniture tipover:  
 -ALWAYS install Anti-tip device provided.  
 -NEVER put a TV on this product.  
 -NEVER allow children to stand climb or hang on any drawers, doors, or shelves.  
 -NEVER open more than one drawer at a time.  
 -Place heaviest items in the lowest drawers.

This is a permanent label.  
 Do not remove!

# Components - Panels




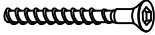

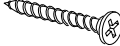
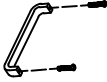

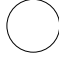
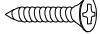

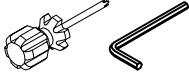
Please check you have all the panels listed below

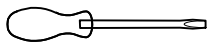
<p>①</p>  <p>1 PC</p>	<p>②</p>  <p>1 PC</p>	<p>③</p>  <p>2 PCS</p>	<p>④</p>  <p>1 PC</p>	<p>⑤</p>  <p>1 PC</p>
<p>⑥</p>  <p>1 PC</p>	<p>⑦</p>  <p>1 PC</p>	<p>⑧</p>  <p>1 PC</p>	<p>⑨</p>  <p>2 PCS</p>	<p>⑩</p>  <p>1 PC</p>
<p>⑪</p>  <p>6 PCS</p>	<p>⑫</p>  <p>6 PCS</p>	<p>⑬</p>  <p>6 PCS</p>	<p>⑭</p>  <p>6 PCS</p>	<p>⑮</p>  <p>6 PCS</p>

# Components - Fittings

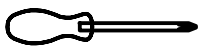
Please check you have all the panels listed below

**Note:** The quantities below are the correct amount to complete the assembly. In some cases more fittings may be supplied than are required.

<b>A</b>  Male Camlock x 58	<b>B</b>  Female Camlock x 58	<b>C</b>  Dowel x16
<b>D</b>  6.8*48mm Screw x 8	<b>E</b>  Protective Feet x 10	<b>F</b>  4*30mm Screw x 24
<b>G</b>  Handle & Fixings x 6	<b>H</b>  Wall Fixing Pack x 2	<b>I</b>  Ø20 Sticker x 38
<b>J</b>  3*17mm Screw x 8	<b>K</b>  Plasticwedge x 8	 x 1



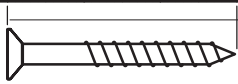
## Tools required



Phillips screwdriver  
(medium & large)

## Ruler - Use this ruler to help correctly identify the screws

0 5 10 15 20 25 30 35 40 45 50 55 60 65 70 75 80 85 90 95 100 105 110 115 120 125 130 135 140 145 150 155 160 165 170



The screws length is measured from the head to the point (35mm screw shown).

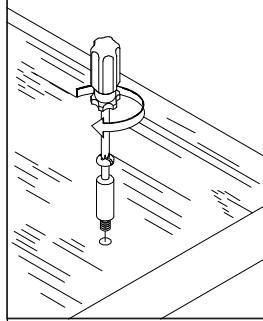
# Using Camlocks

## Step 1

Connect the male camlock as directed in the assembly instructions using a screwdriver.

1

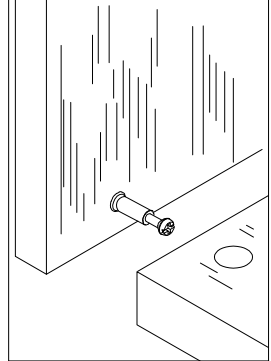
DO NOT OVER TIGHTEN.  
NE PAS SERRER EXCESSIVEMENT.



## Step 2

Push the male camlock into the entry hole.

2

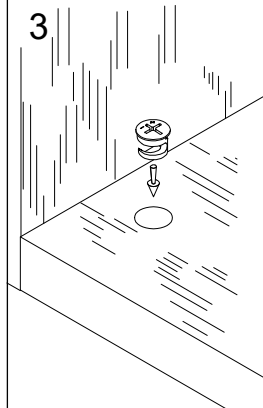


## Step 3

Insert the female camlock as shown in the instruction.

Note: ensure that the arrow on the top of the camlock points towards the entry hole for the male camlock.

3



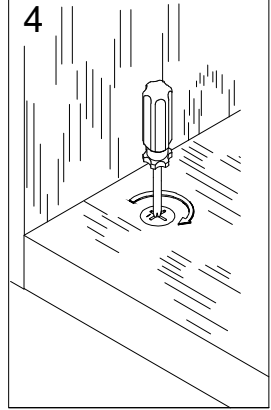
## Step 4

Turn the female camlock clockwise with a screwdriver.

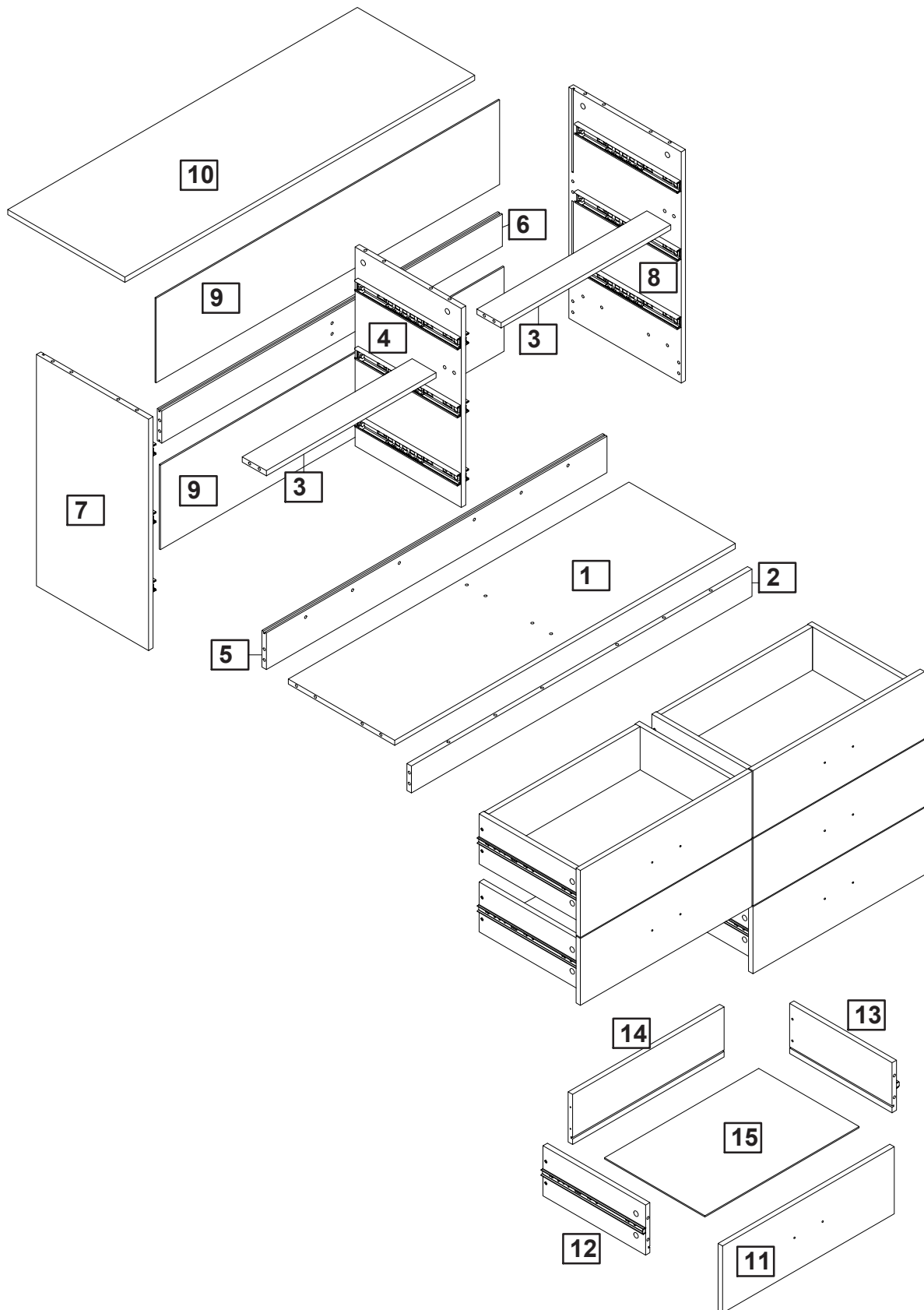
You should feel a click when the camlock is locked in place.

The joint is now secure.

4

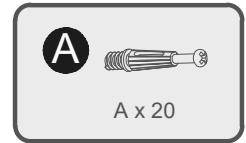
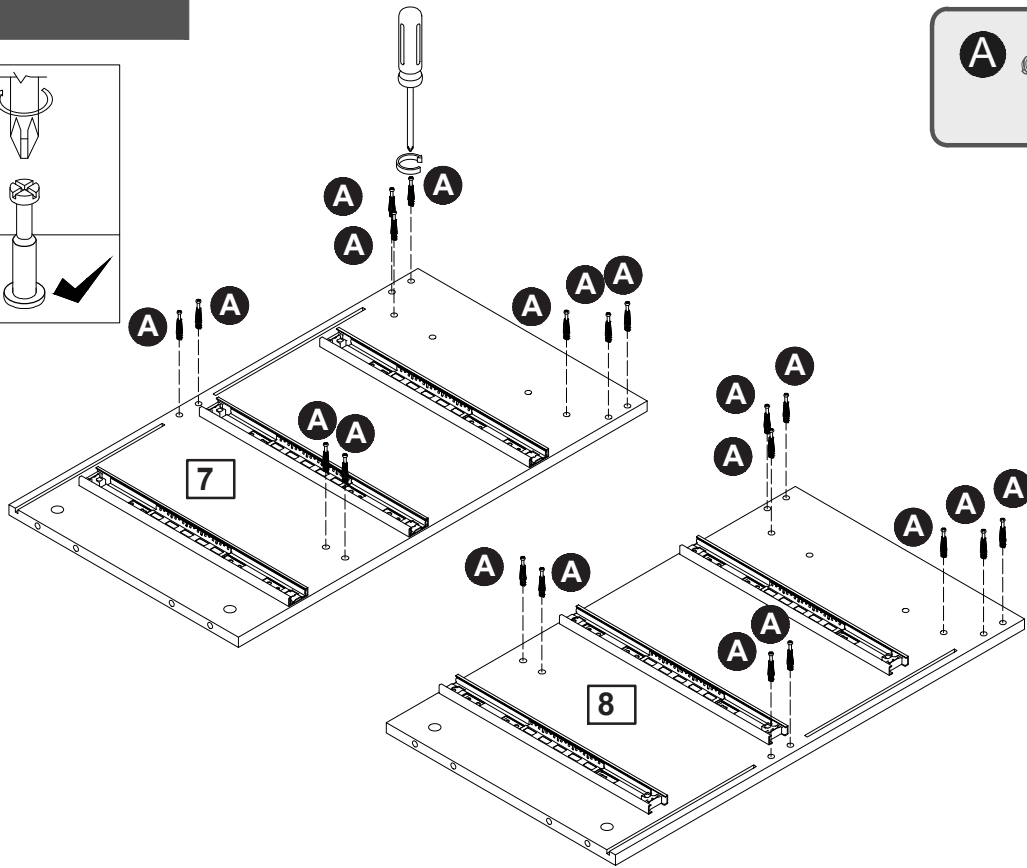
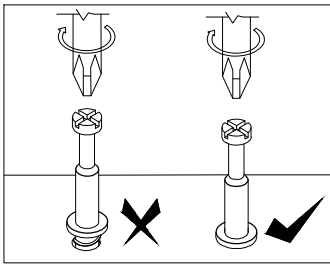


# Assembly Instructions

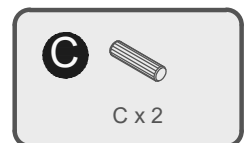
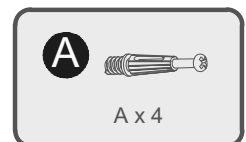
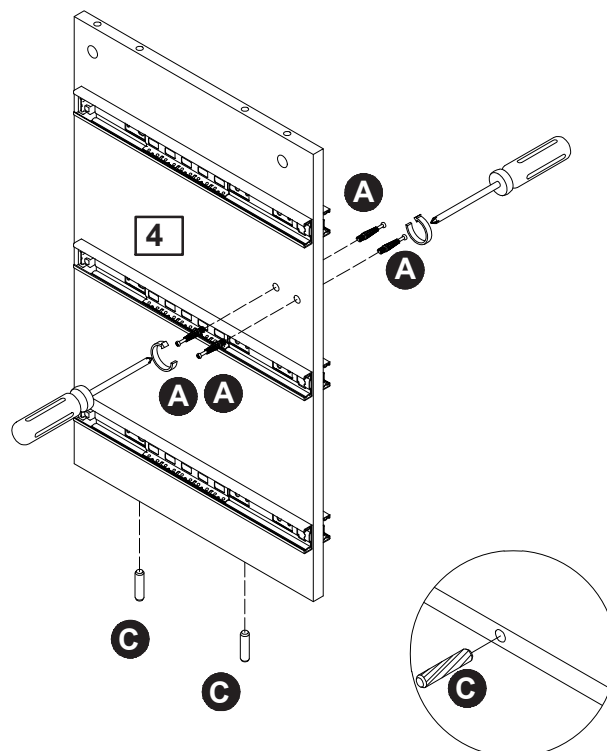
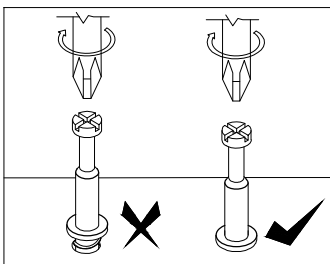


# Assembly Instructions

## Step 1

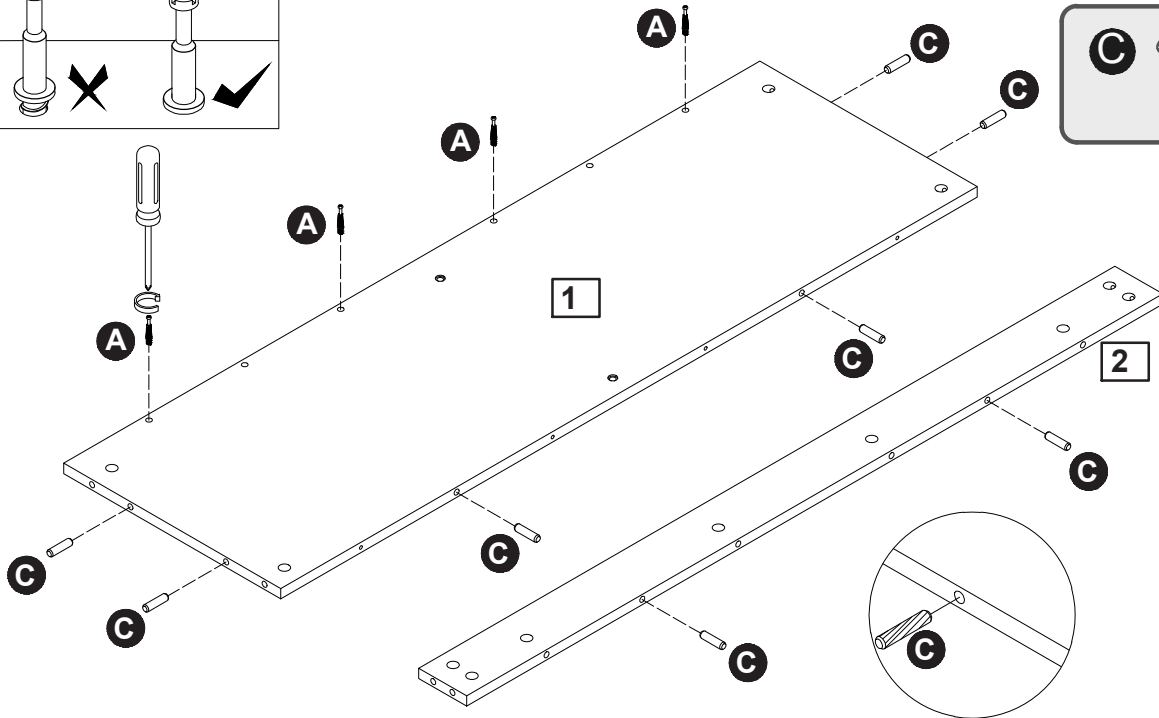
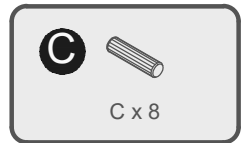
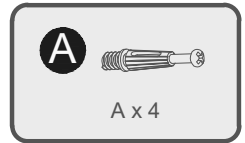
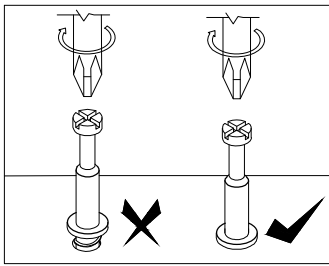


## Step 2

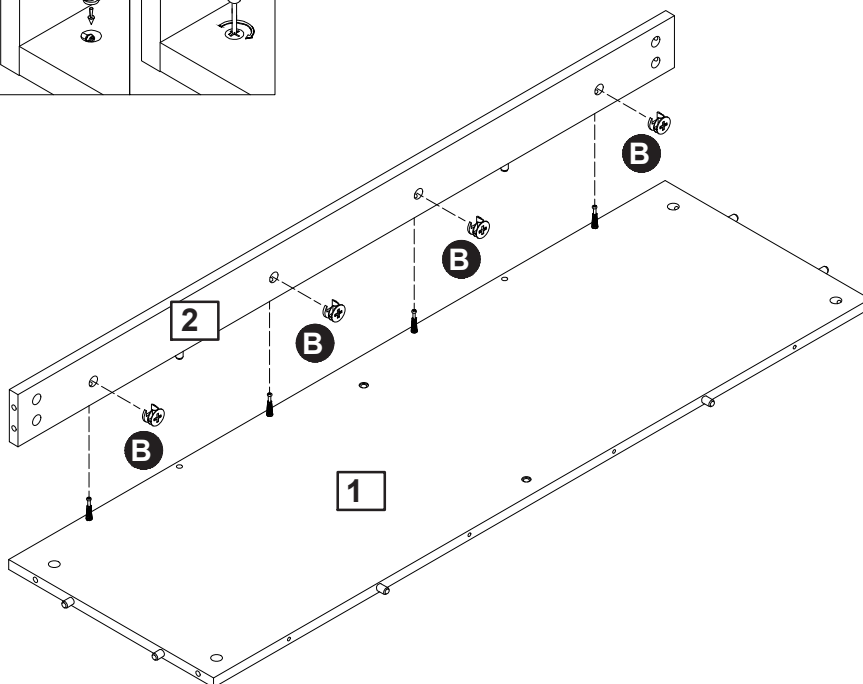
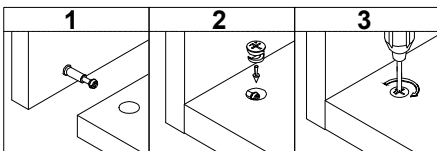


# Assembly Instructions

## Step 3

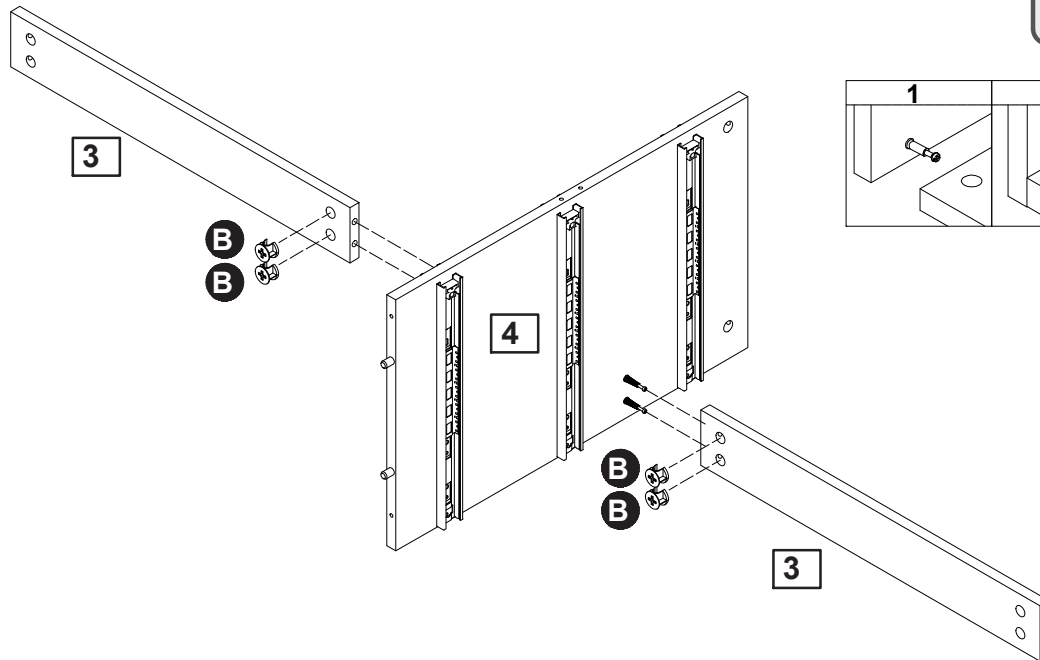


## Step 4

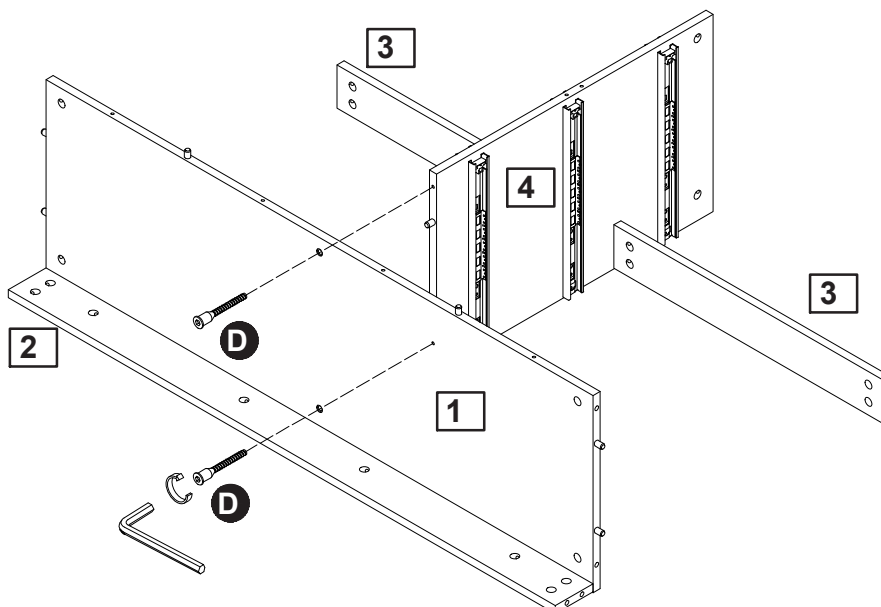


# Assembly Instructions

## Step 5

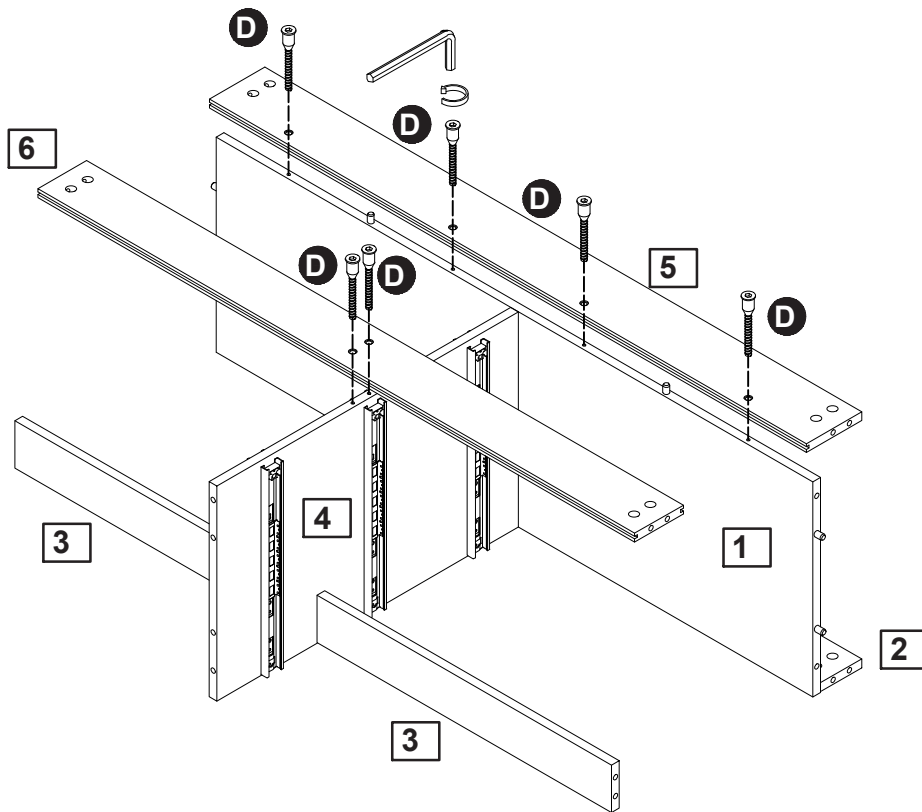


## Step 6

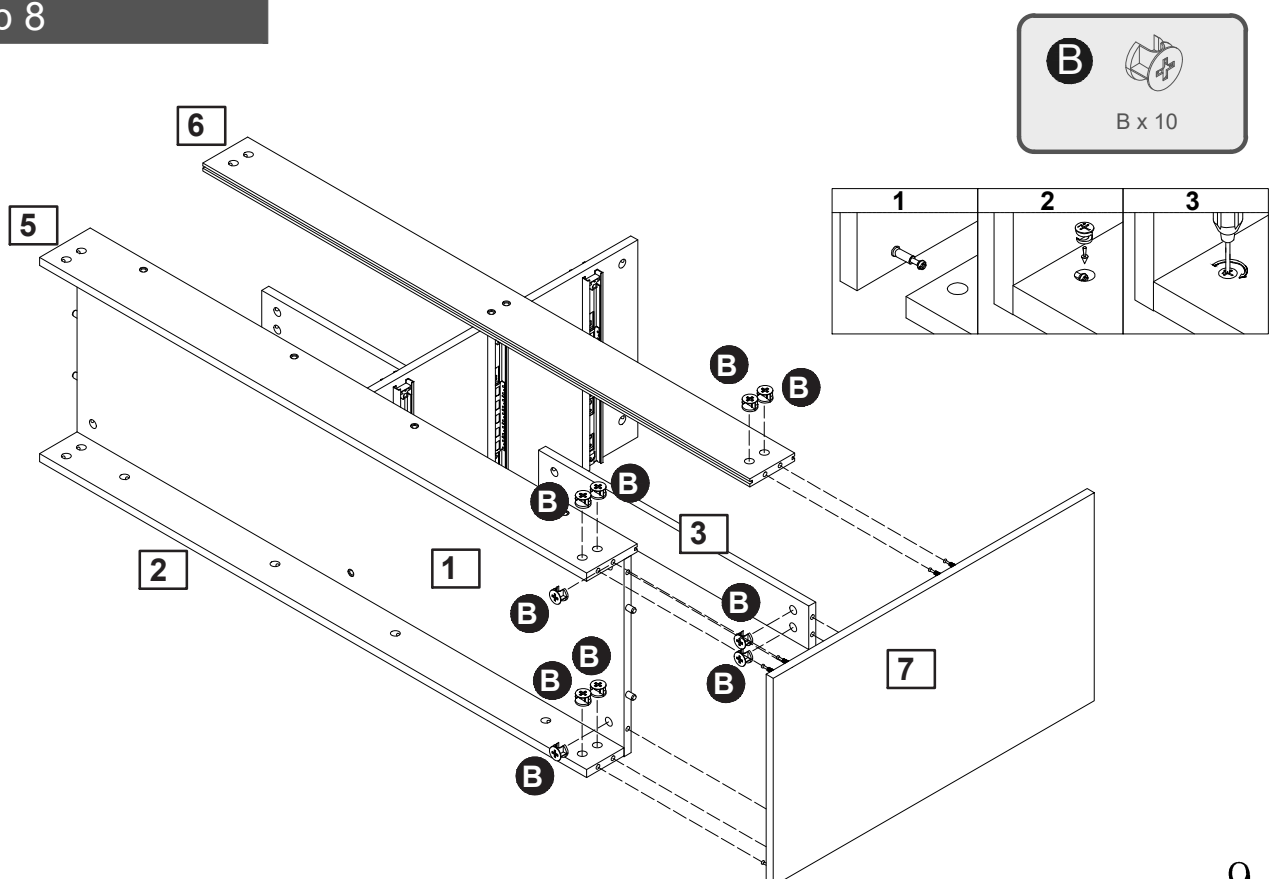


# Assembly Instructions

## Step 7

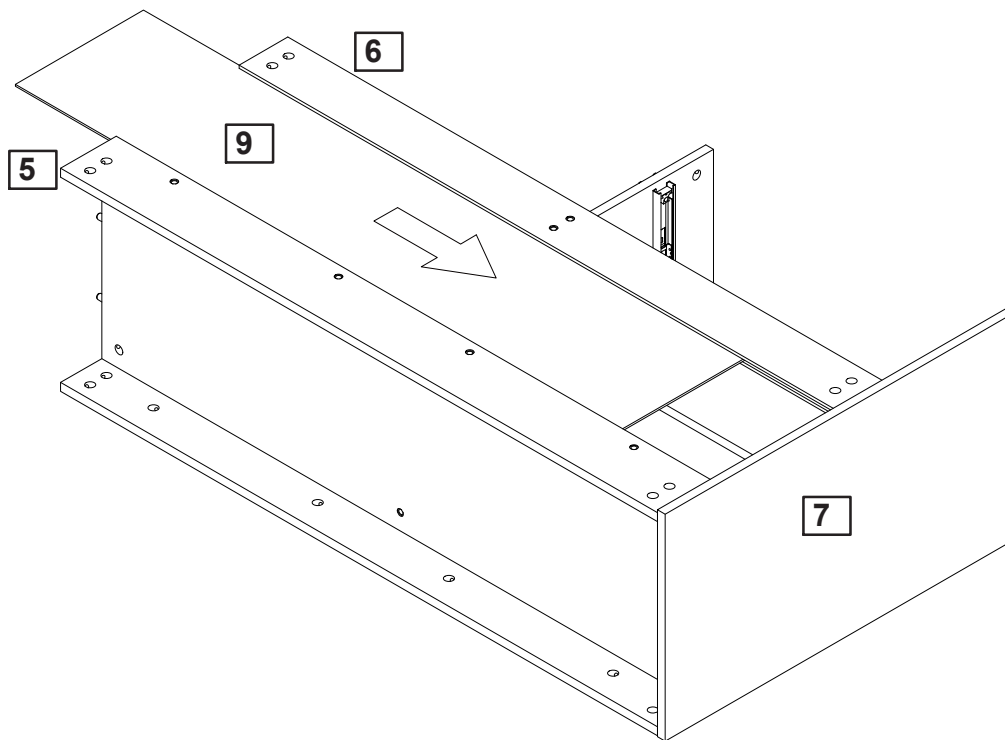


## Step 8

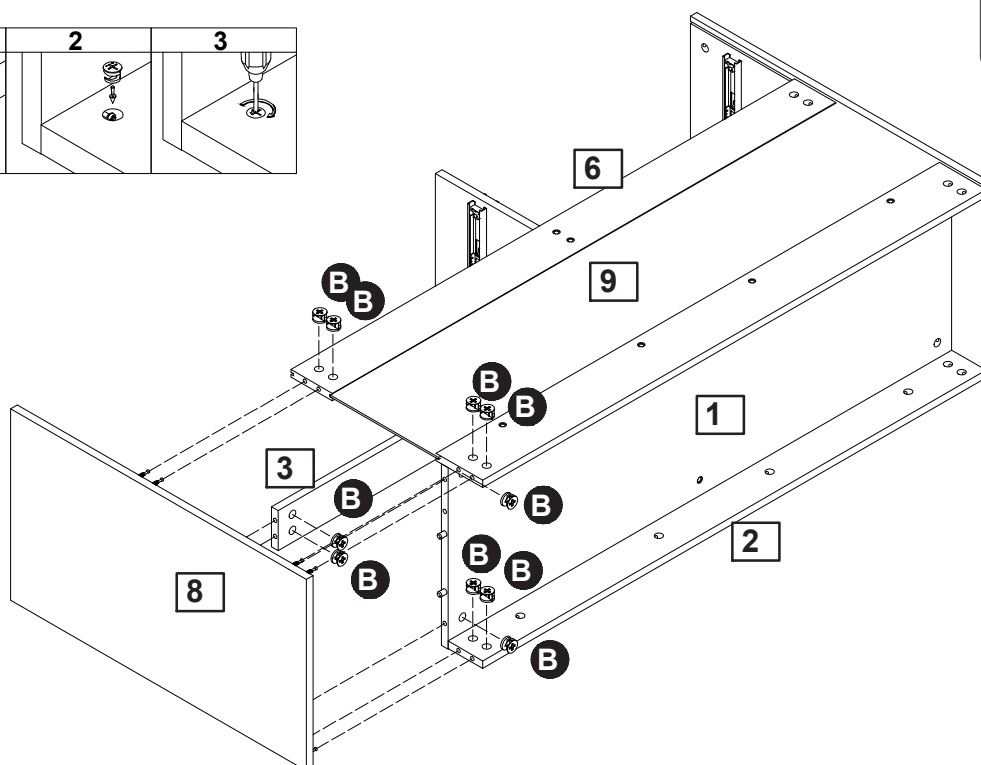
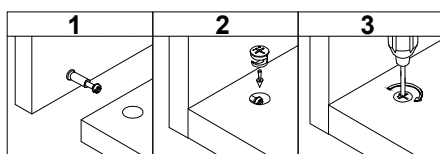


# Assembly Instructions

## Step 9

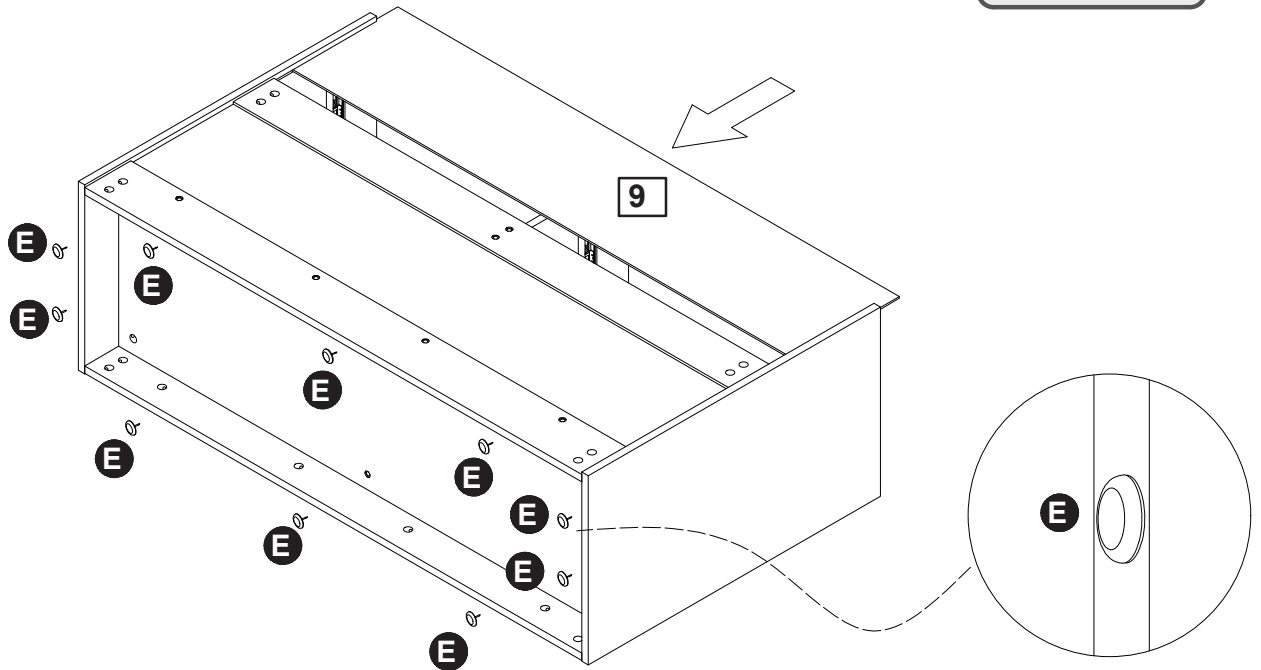


## Step 10

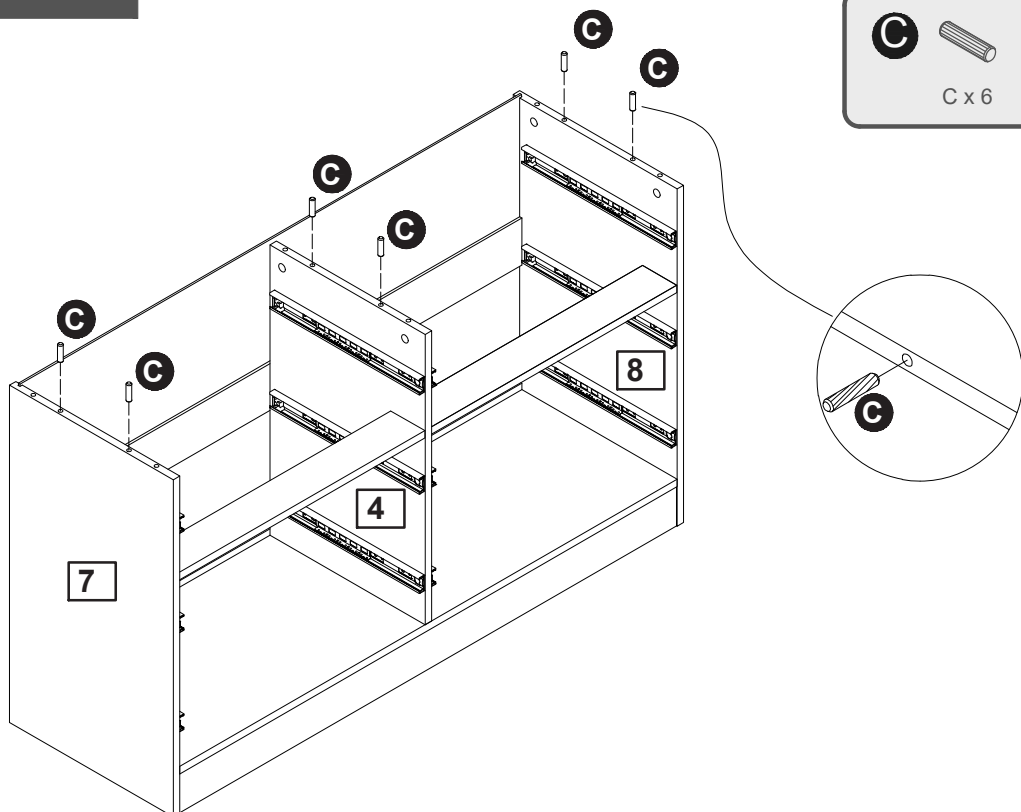


# Assembly Instructions

## Step 11

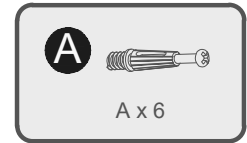
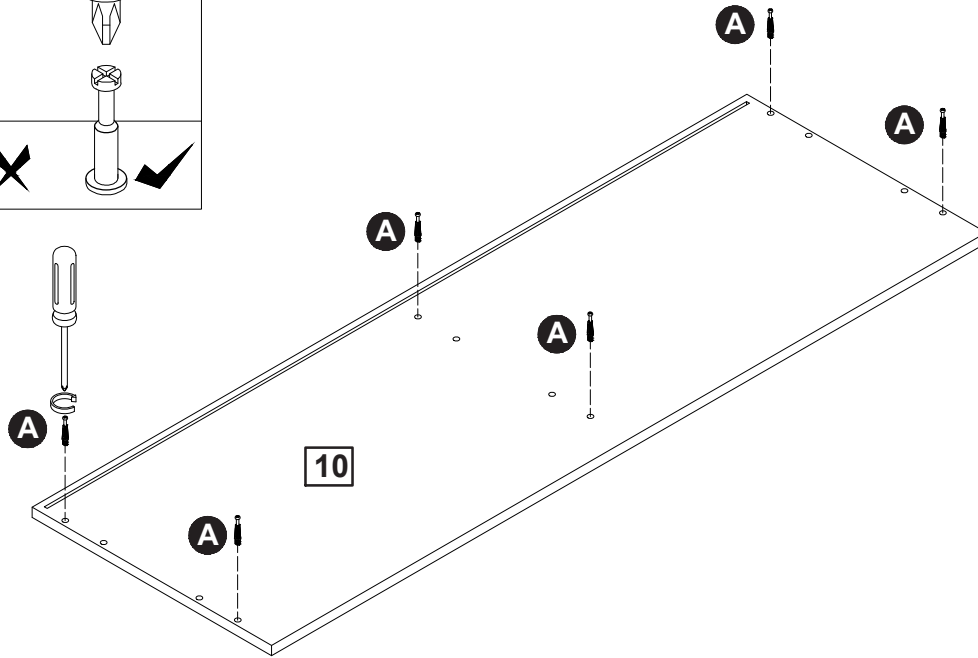
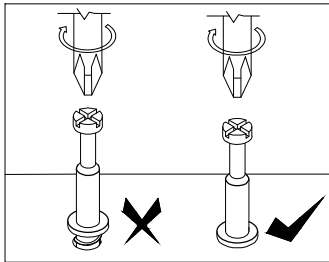


## Step 12

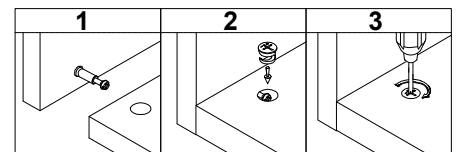
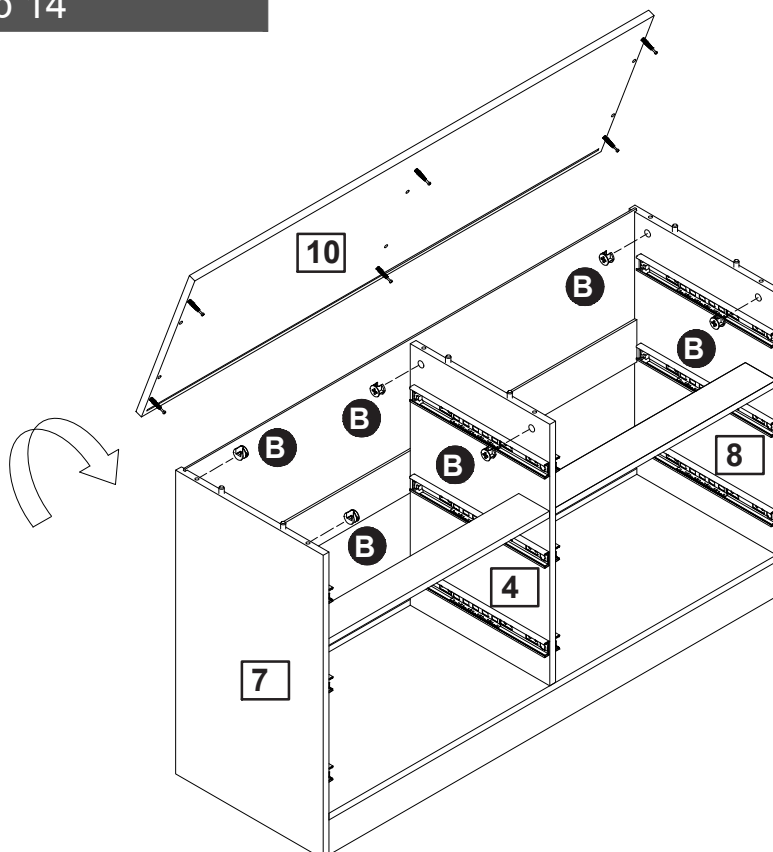


# Assembly Instructions

## Step 13

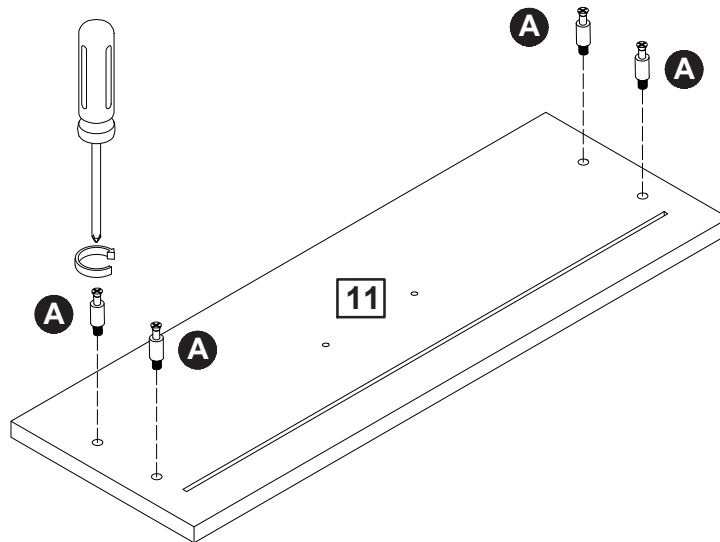
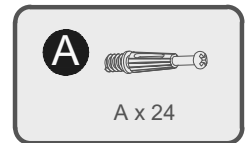
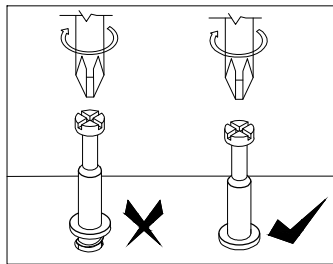


## Step 14



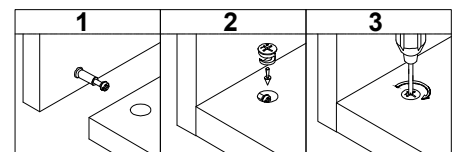
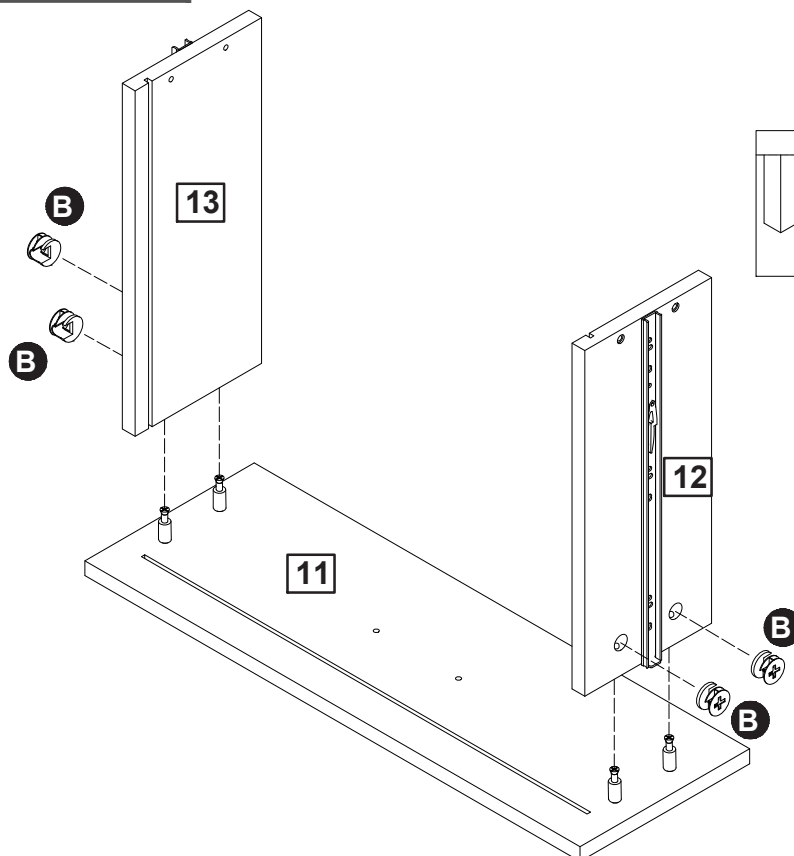
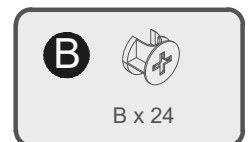
# Assembly Instructions

## Step 15



X6

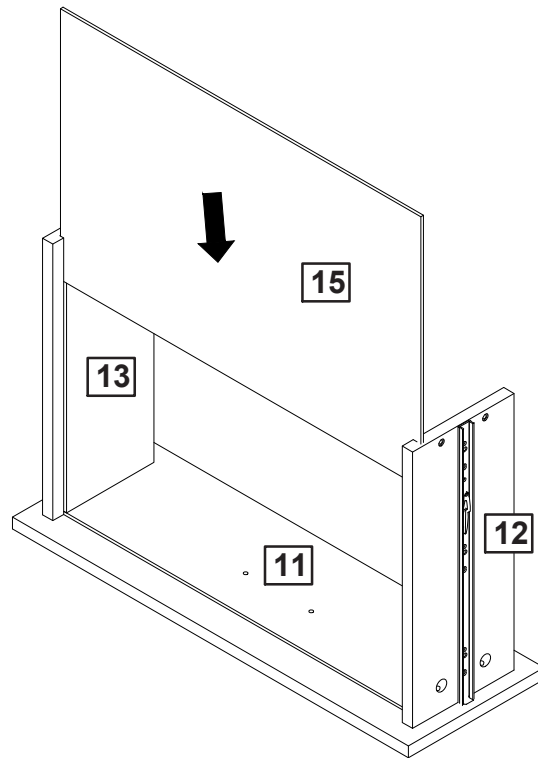
## Step 16



X6

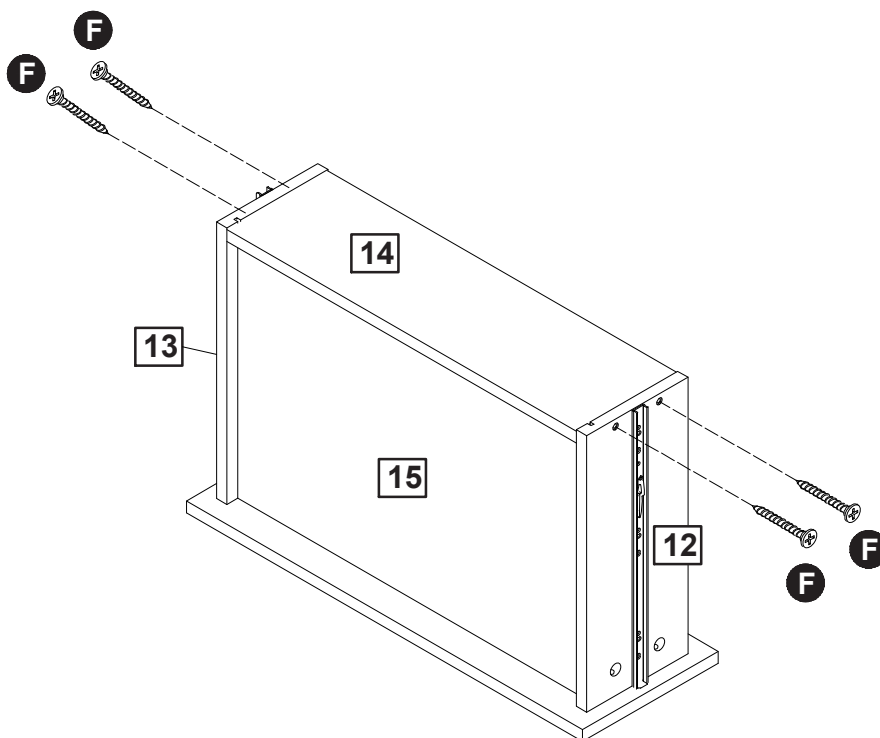
# Assembly Instructions

## Step 17



X6

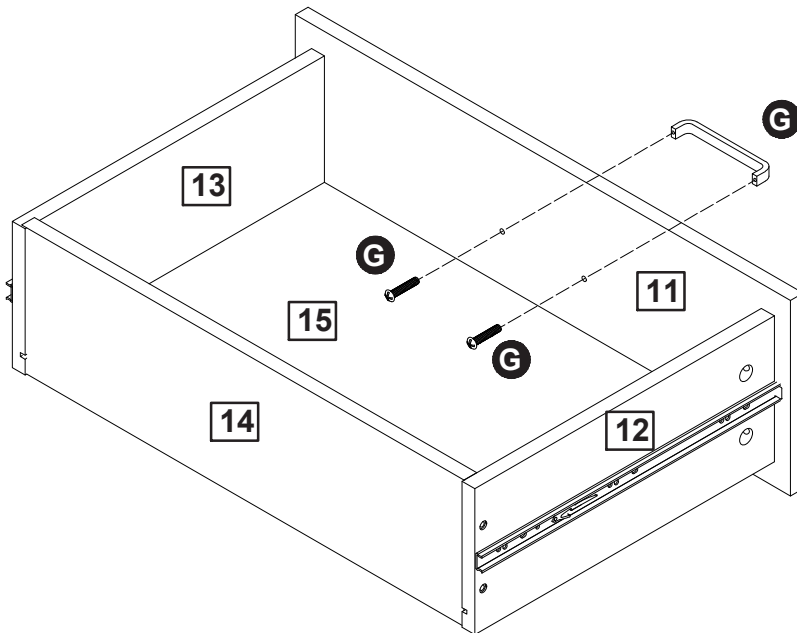
## Step 18



X6

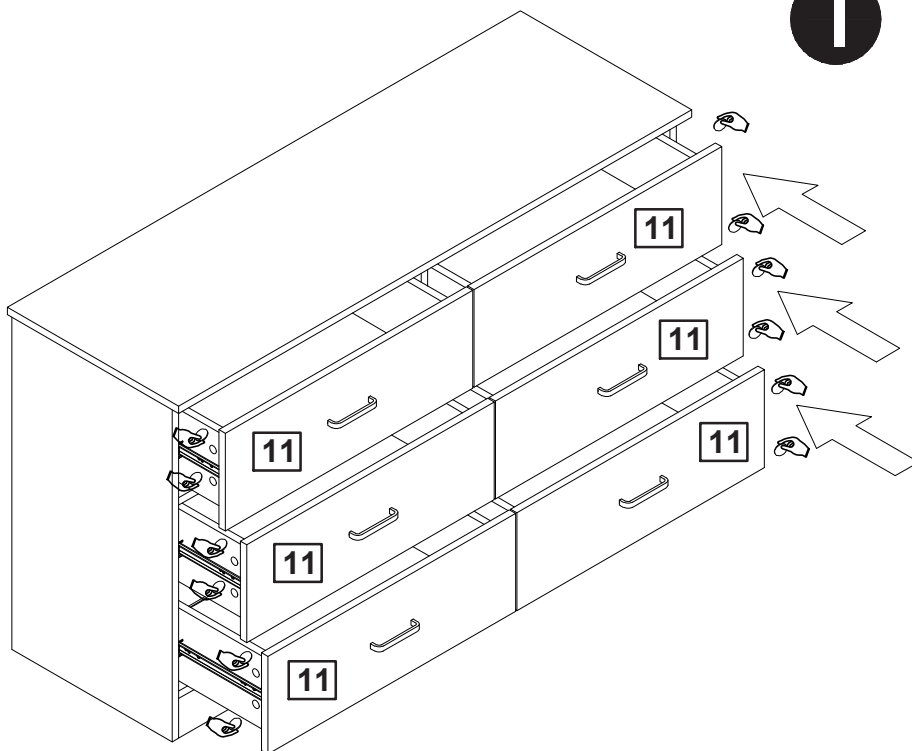
# Assembly Instructions

## Step 19

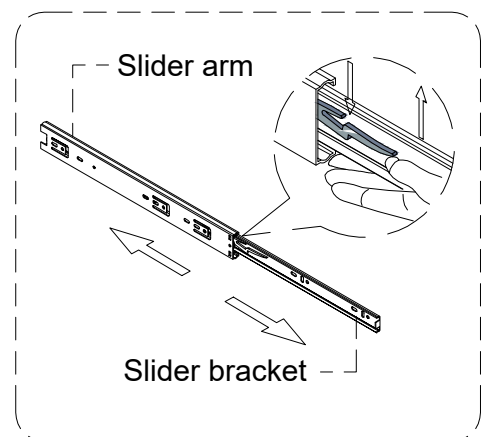
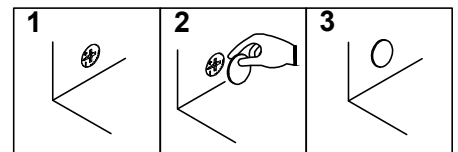


X6

## Step 20

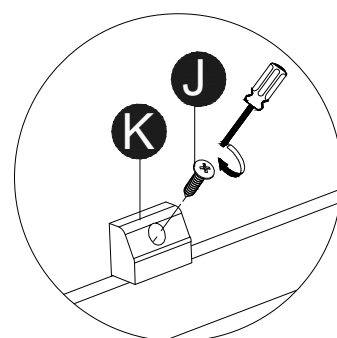
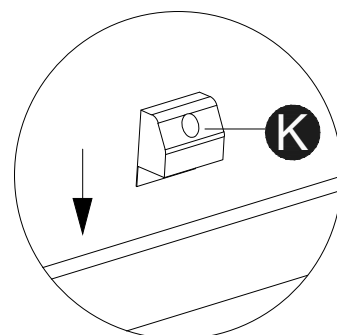
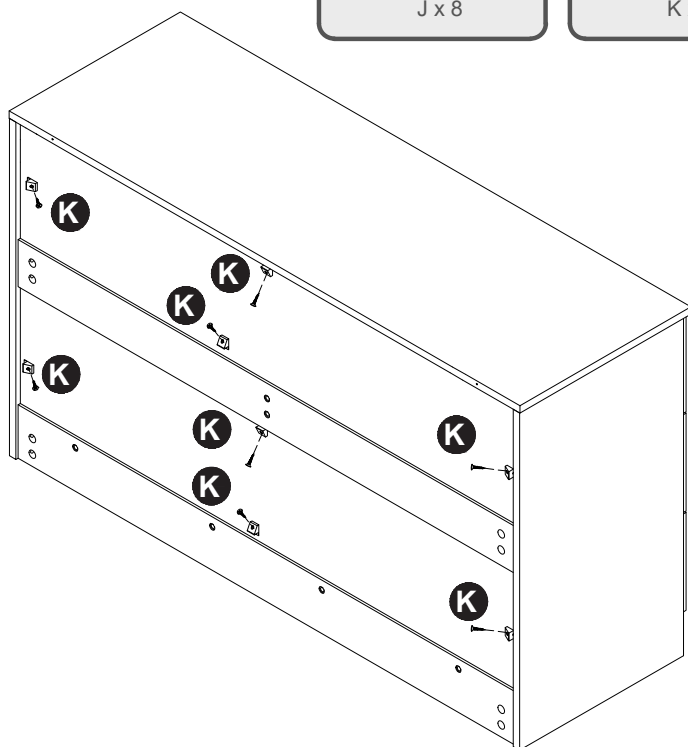
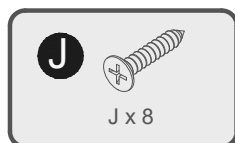


I X24

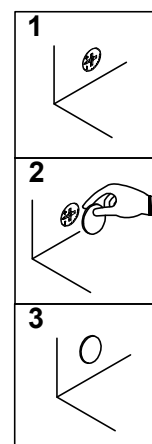
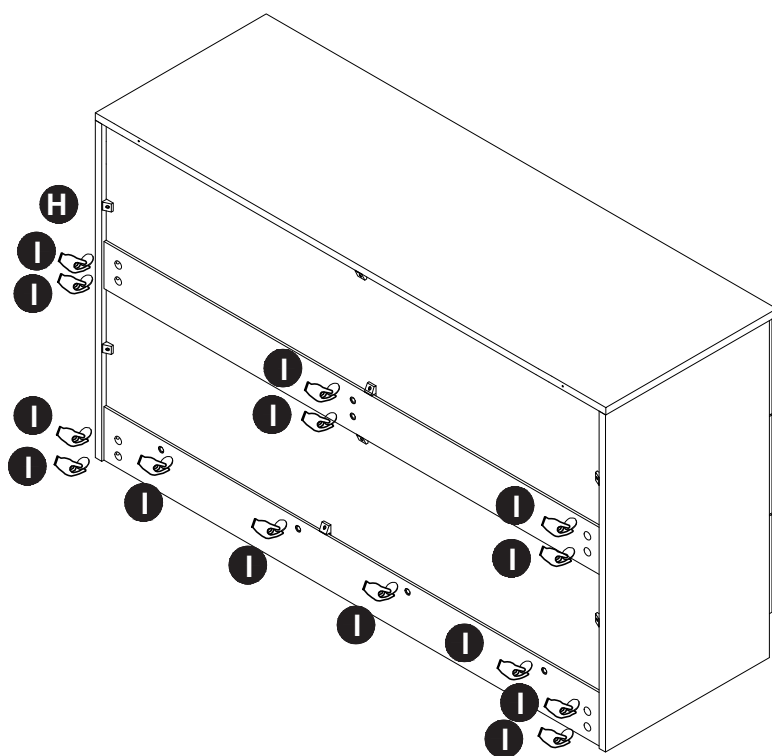
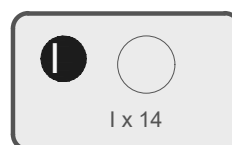


# Assembly Instructions

## Step 21



## Step 22



# Assembly Instructions

## Step 23

The unit is floor standing, but it is recommended that the unit is secured to the wall.

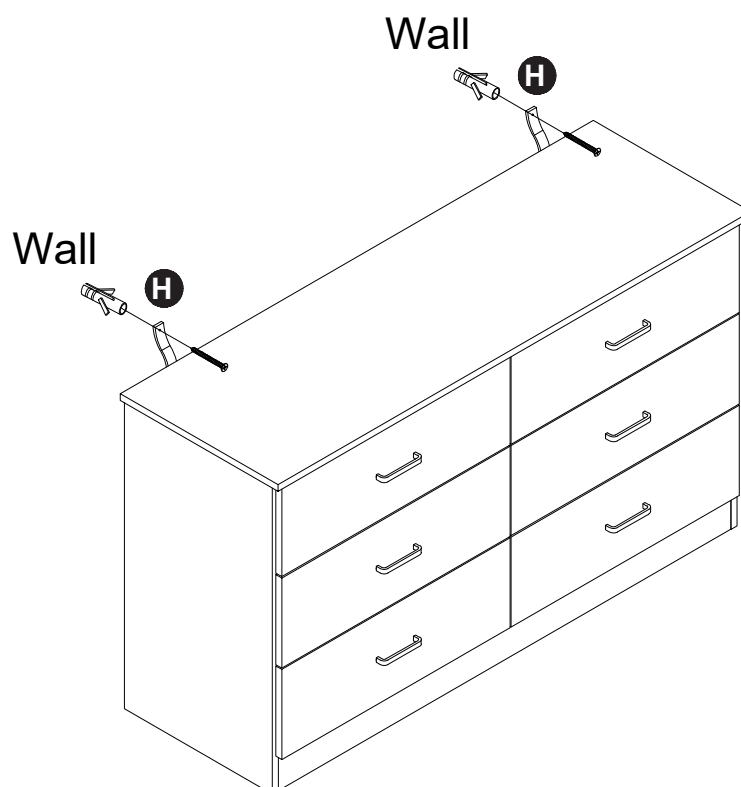
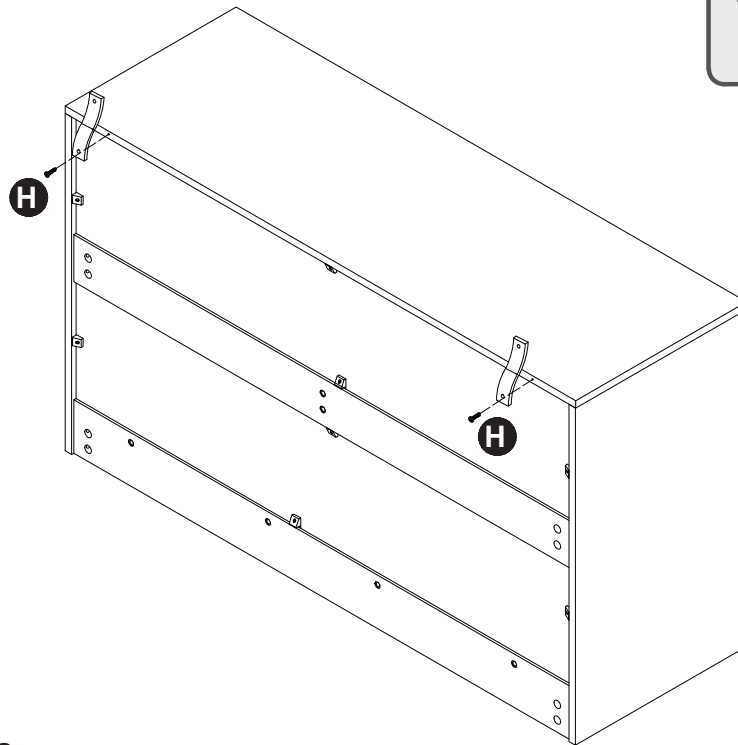
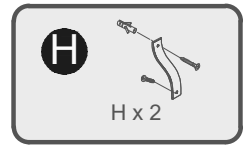
1. Move the unit into desired position.
2. Mark the wall with a suitable scribe the position of the fixing holes.



**Warning:**  
Before drilling, check wall for hidden pipes and cables.

3. Drill holes and insert 2 x wall plug
4. Attach 2 x Wall Straps to the top of the unit using 2 x Washers and 2 x Screws
5. Secure the straps to the wall using 2 x Washers and 2 x Screws

**Note:** To hide the straps behind the unit, drill the holes lower than the top of the unit



Assembly is complete.