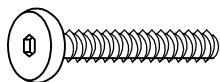


ASSEMBLY INSTRUCTION

1 Bolt (M6x35)



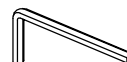
24 PCS

2 Screw (M4x35)



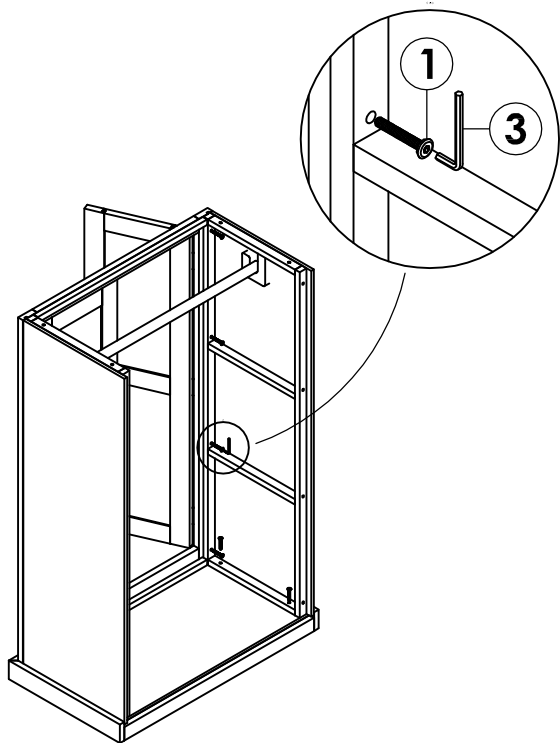
10 PCS

3 Allen key

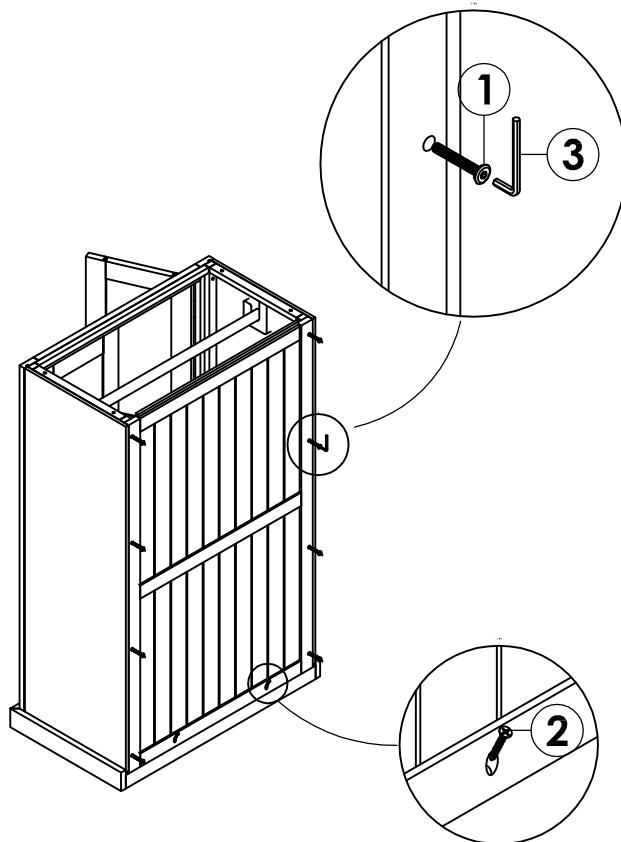


1 PC

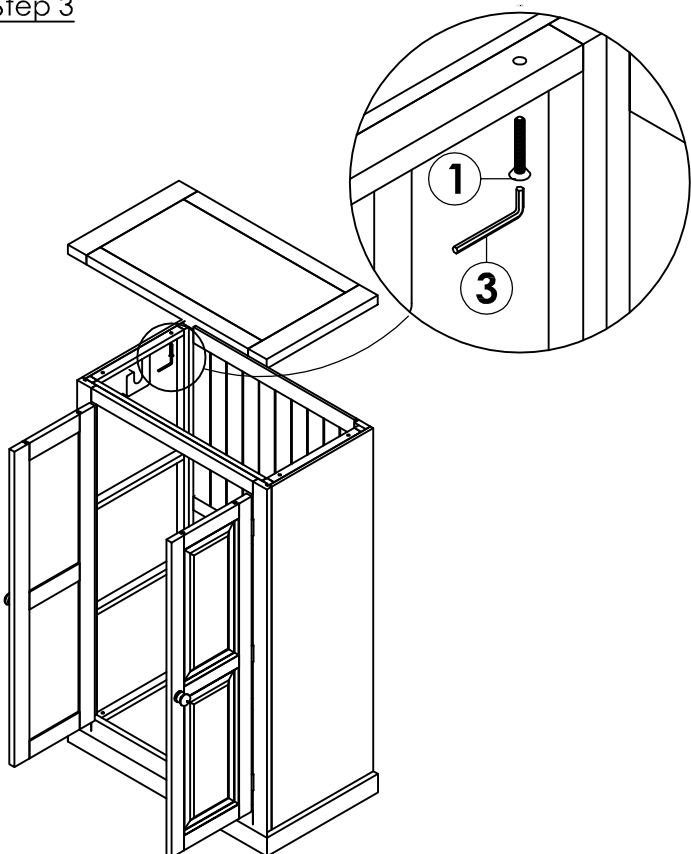
Step 1



Step 2



Step 3



Step 4

