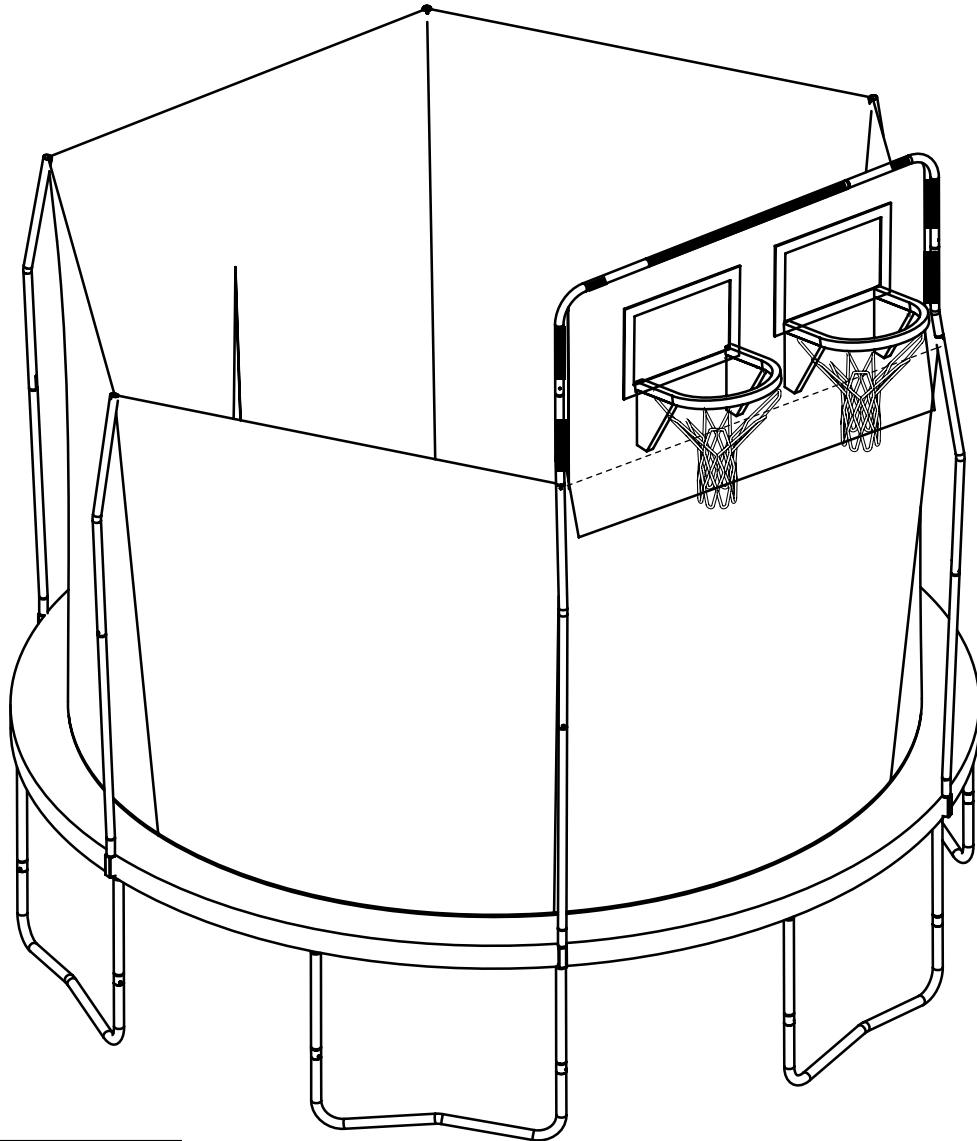



DOUBLE BASKETBALL HOOP 12&15 FOOT TRAMPOLINE ACCESSORY

User Manual

Skywalker Sports Model # SWBB1200/SWBB1500



 WARNING
Read all precautions and instructions in this manual before using this equipment. Save this manual for future reference.



Please note when the basketball game is attached to the trampoline, the enclosure poles should be lowered during stormy weather (especially when windy.) Failure to do so could result in damage to the basketball game or the enclosure poles. Weather related damage is not covered under warranty.

Skwalker Holdings LLC
PO Box 574, Brigham City, UT 84302

Model: SWBB1200/SWBB1500

CONTENTS

Part Identification.....3
 Part List.....3
 Assembly.....5-7
 Limited Warranty8

REPLACEMENT PARTS or QUESTIONS

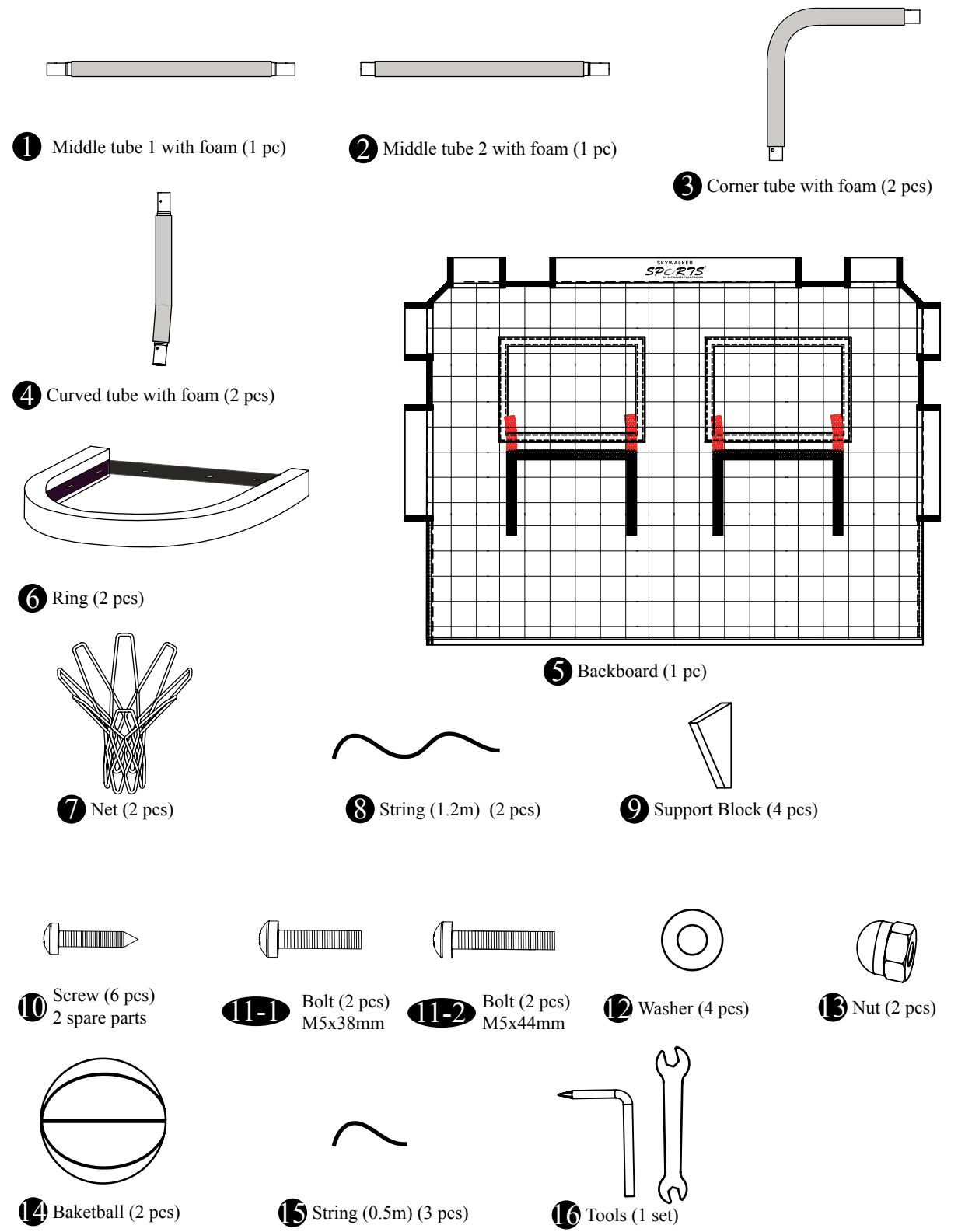
If you have questions after reading this manual, please call our toll-free Customer Care Hotline. Our trained technicians will provide immediate assistance.

Customer Care Hotline: 1-866-603-5867
 Monday - Friday, 8:00 a.m. - 5 p.m. Mountain Time

ASSEMBLY

PART IDENTIFICATION

Before beginning assembly, refer to the drawings below to identify all the parts used. The numbers in the circles to the left of each part will be used to help differentiate the parts in the instructions.



! WARNING

High Wind: The trampoline can be blown around by high winds. If you expect high winds, the trampoline should be moved to a sheltered location, taken apart, or tied down to the ground with ropes and stakes (NOT INCLUDED). At least four ropes and four stakes should be used. The top of the stakes should be at ground level so they will not create a tripping hazard. In addition, the top of the stakes should be covered, if necessary, so that users will not be injured by falling on the stakes. The only sure method to protect your trampoline and the surrounding environment during high winds is to completely disassemble the unit and store indoors. The manufacturer's warranty does not cover any type of wind or weather damage.

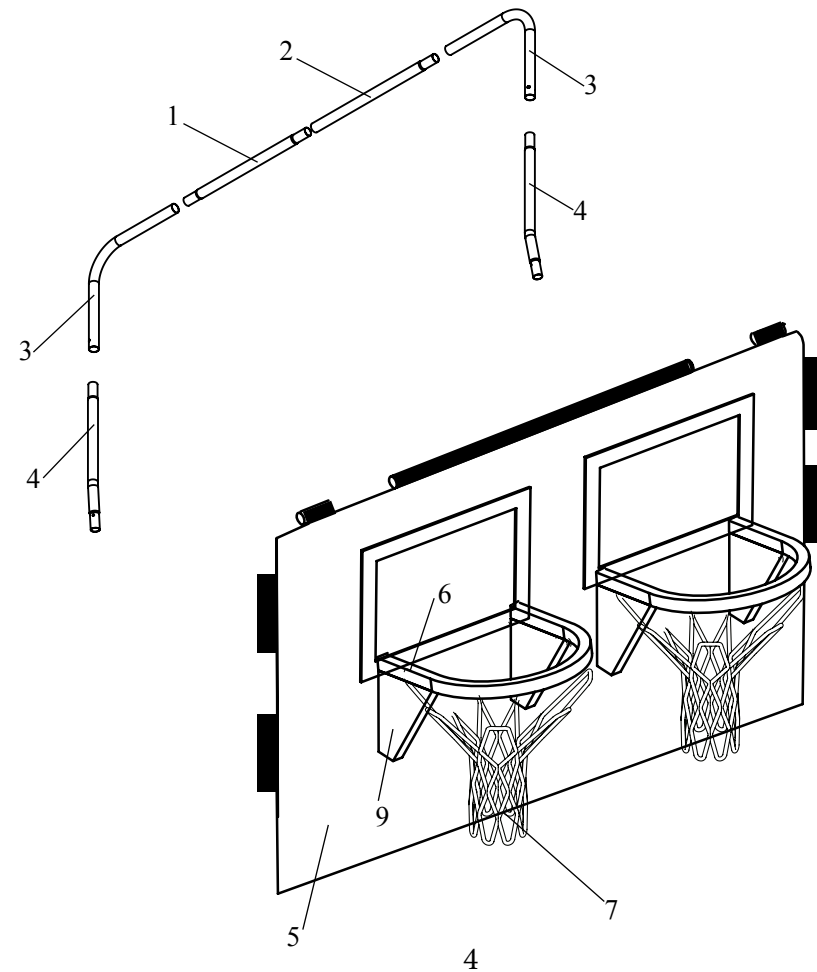
Do not stand near the trampoline in windy or gusty conditions. A trampoline can become airborne when exposed to sustained wind or gusting wind conditions. This can result in serious injury, paralysis, or death, as well as property damage. To reduce these risks, disassemble the trampoline and enclosure and store them until weather conditions improve. Anchoring a trampoline frame may prevent the trampoline from moving as a result of the wind, but even anchored trampolines can become airborne or damaged. Consult a qualified contractor to determine what type of anchor works best in your location.

! WARNING

Read the assembly, installation, care, maintenance, and use instructions in this manual prior to assembling and using this equipment. Save this manual for future reference.

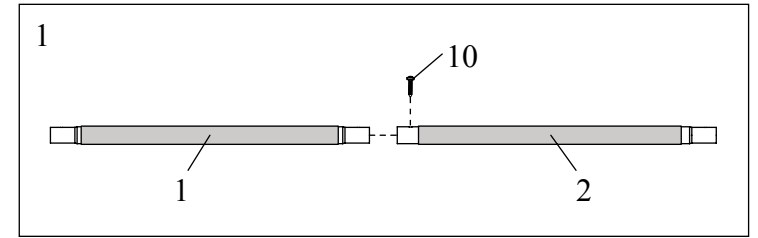
Part list

Key No.	Qty.	Description
1	1	Middle tube 1 with foam
2	1	Middle tube 2 with foam
3	2	Corner tube with foam
4	2	Curved tube with foam
5	1	Backboard
6	2	Ring
7	2	Net
8	2	String(1.2m)
9	4	Support block
10	6	Screw
11	4	Bolt
12	4	Washer
13	2	Nut
14	2	Basketball
15	3	String(0.5m)
16	1	Tools

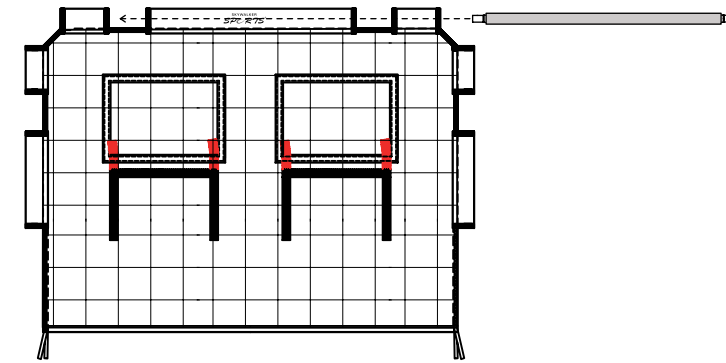


ASSEMBLY

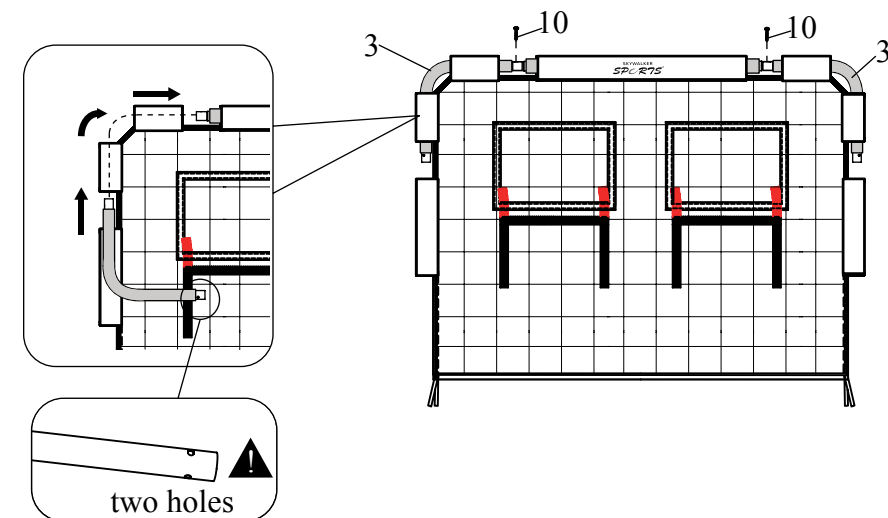
1. Insert the Middle tube 1 with foam (1) into Middle tube 2 with foam (2) as shown, secure with a Screw(10).



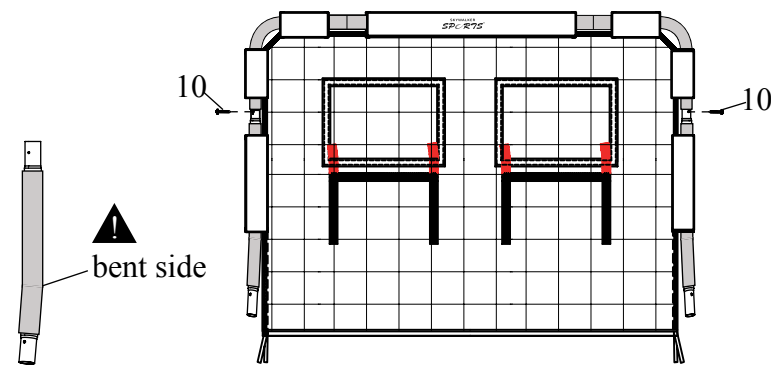
2. Place the Backboard (5) on the ground, insert the assembled middle tube with foam into the top sleeve as shown.



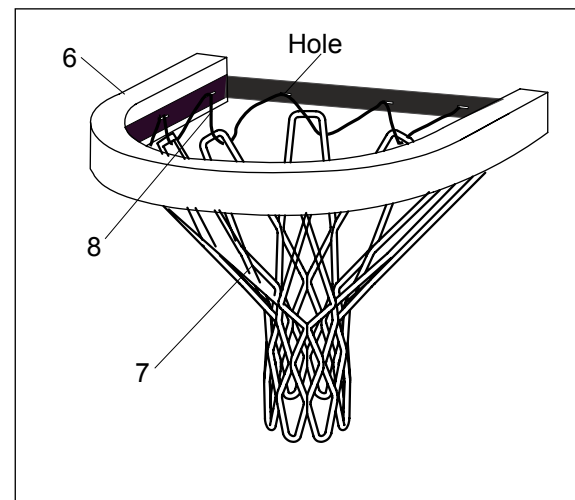
3. Insert the Corner tubes with foam (3) into the sleeve as shown, and secure on each side with two Screws (10). Be sure to connect the corner tube end with one hole to the middle tube, the end with two holes should be facing down.



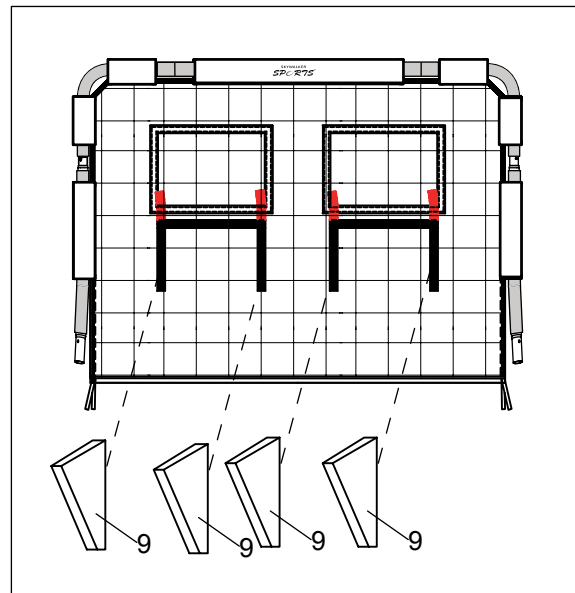
4. Insert the Curved tube with foam (4) into the sleeve as shown. Secure to the corner tubes with two Screws (10).
Make sure the bent sides are facing the ground.



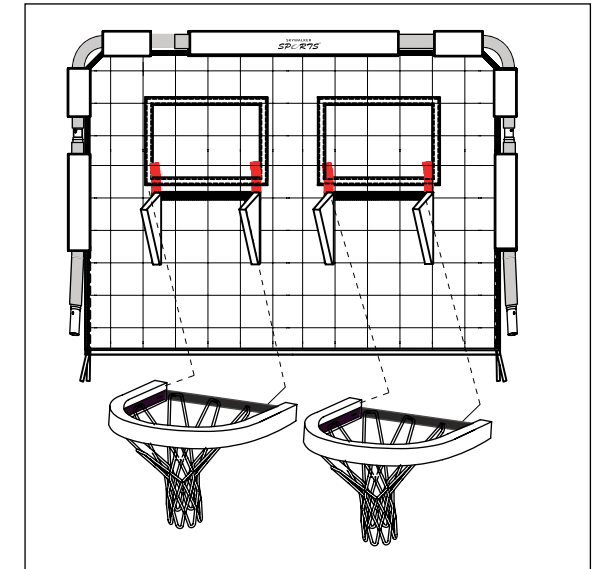
5. Take one end of the String (1.2m) (8) and tie a knot at the top. Pull the other end of the string through one hole of the ring (6) and through one top hole of the net (7) (the red end is the top of the net). Now weave the string in and out of the holes of the ring and the top holes of the net to attach the net completely to the ring. Make sure to regularly tighten the string until all the net has been threaded through. Tie a knot at the end of the String (8) to secure.



6. Attach the four Support Blocks (9) using the provided velcro to the Backboard (5).



7. Attach the Ring with Net to the Backboard (5) as shown.



Note: This next step needs two people.

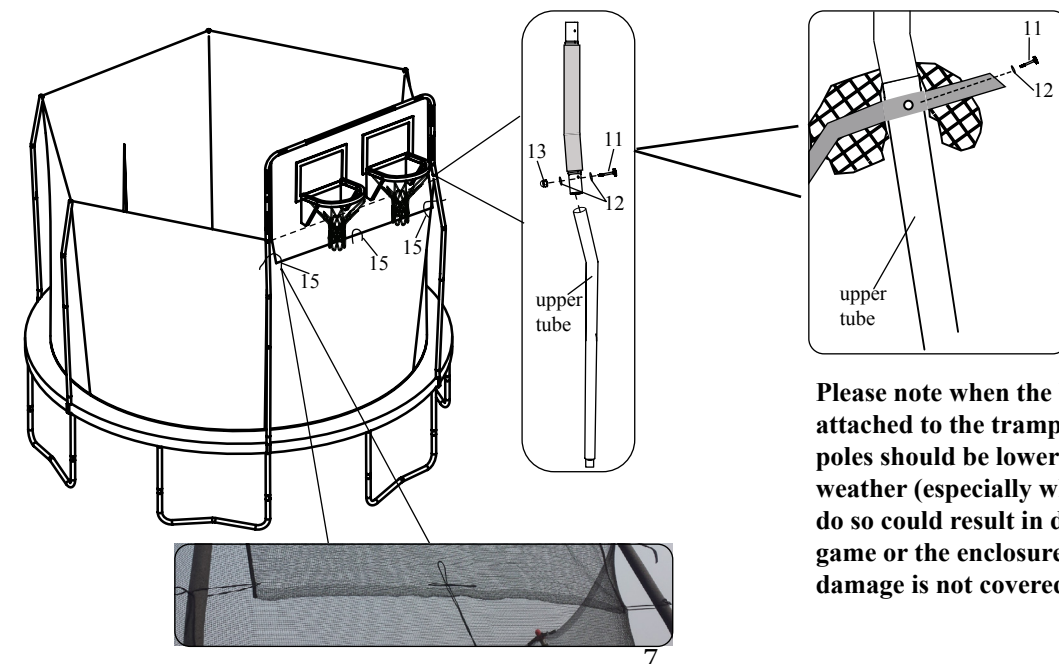
8. To attach the game to your trampoline you will need to lower the two enclosure poles you will be mounting to. (Additional poles may also need to be lowered in order to release some of the tension from the enclosure net.) Remove the pole caps from the two chosen enclosure poles. Slide the basketball hoop onto the upper tubes and align the holes of the upper poles, basketball hoop, and the enclosure net and attach together with the two bolts (11-1 or 11-2), four washers (12) and two nuts (13).

Note: Depending on the model of your trampoline the poles of the game may slide into the enclosure poles rather than onto. Attachment works both ways and will not change the assembly method.

Note: There are two size of bolts (11) for this step to accommodate varying models. Please choose the appropriate one.

Now with two people (one on each side of the game) raise the enclosure poles together and place them in their T-sockets. If you have any other enclosure poles down, place them back up now as well.

Now at the bottom of the game, slide the 3 three pieces of string (0.5m) (15) through the netting of the game (one one each corner and one in the middle.) Tie to the poles and enclosure net as shown in below photo. Assembly of your double basketball hoop is now complete. Enjoy!



Please note when the basketball game is attached to the trampoline, the enclosure poles should be lowered during stormy weather (especially when windy.) Failure to do so could result in damage to the basketball game or the enclosure poles. Weather related damage is not covered under warranty.

LIMITED WARRANTY

Skywalker Holdings, LLC warrants its products to be free from defects in material and workmanship under normal use and service conditions. The steel frame is warranted for one (1) year after the date of purchase. All other parts are warranted for ninety (90) days after the date of purchase. Wind or weather damage is not warranted.

All warranty coverage extends only to the original retail purchaser from the date of purchase. Skywalker Holdings, LLC obligation under this Warranty is limited to replacing or repairing, at Skywalker Holdings, LLC option, the product at one of this authorized service centers. All products for which a warranty claim is made must be received by Skywalker Holdings, LLC at one of its authorized locations. Preauthorization may be obtained by calling Skywalker Holding, LLC Customer Care Hot Line at 1-866-603-Jump(5867). This Warranty does not extend to any product or damage to a product caused by or attributable to freight damage, abuse, misuse, improper or abnormal usage, or repair not provided by a Skywalker Holdings, LLC authorized service center, or to products used for commercial or rental purpose. No other Warranty beyond that specifically set forth above is authorized by Skywalker Holdings, LLC.

SKYWALKER HOLDINGS, LLC IS NOT RESPONSIBLE OR LIABLE FOR INDIRECT, SPECIAL OR CONSEQUENTIAL DAMAGES ARISING OUT OF OR IN CONNECTION WITH THE USE OR PERFORMANCE OF THE PRODUCT OR OTHER DAMAGES WITH RESPECT TO ANY ECONOMIC LOSS, LOSS OF PROPERTY, LOSS OF REVENUE OR PROFITS, LOSS OF ENJOYMENT OR USE, COST OF REMOVAL, INSTALLATION OR OTHER CONSEQUENTIAL DAMAGES. SOME STATES DO NOT ALLOW THE EXCLUSION OR LIMITATION OF INCIDENTAL OR CONSEQUENTIAL DAMAGES. ACCORDINGLY, THE ABOVE LIMITATION MAY NOT APPLY TO YOU.

THE WARRANTY EXTENDED HEREUNDER IS IN LIEU OF ALL OTHER WARRANTIES AND ANY IMPLIED WARRANTY OF MERCHANTABILITY OR FITNESS FOR A PARTICULAR PURPOSE IS LIMITED IN ITS SCOPE AND DURATION TO THE TERMS SET FORTH HEREIN. SOME STATES DO NOT ALLOW LIMITATIONS ON HOW LONG AN IMPLIED WARRANTY LASTS. ACCORDINGLY, THE ABOVE LIMITATION MAY NOT APPLY TO YOU. This Warranty gives you specific LEGAL RIGHTS. You may also have other rights which vary state to state.

THIS WARRANTY IS VALID ONLY IN THE UNITED STATES.

Skywalker Holdings, LLC, PO Box 574, Brigham City, UT 84302 USA.

Printed in China © 2016 Skywalker Holdings, LLC,