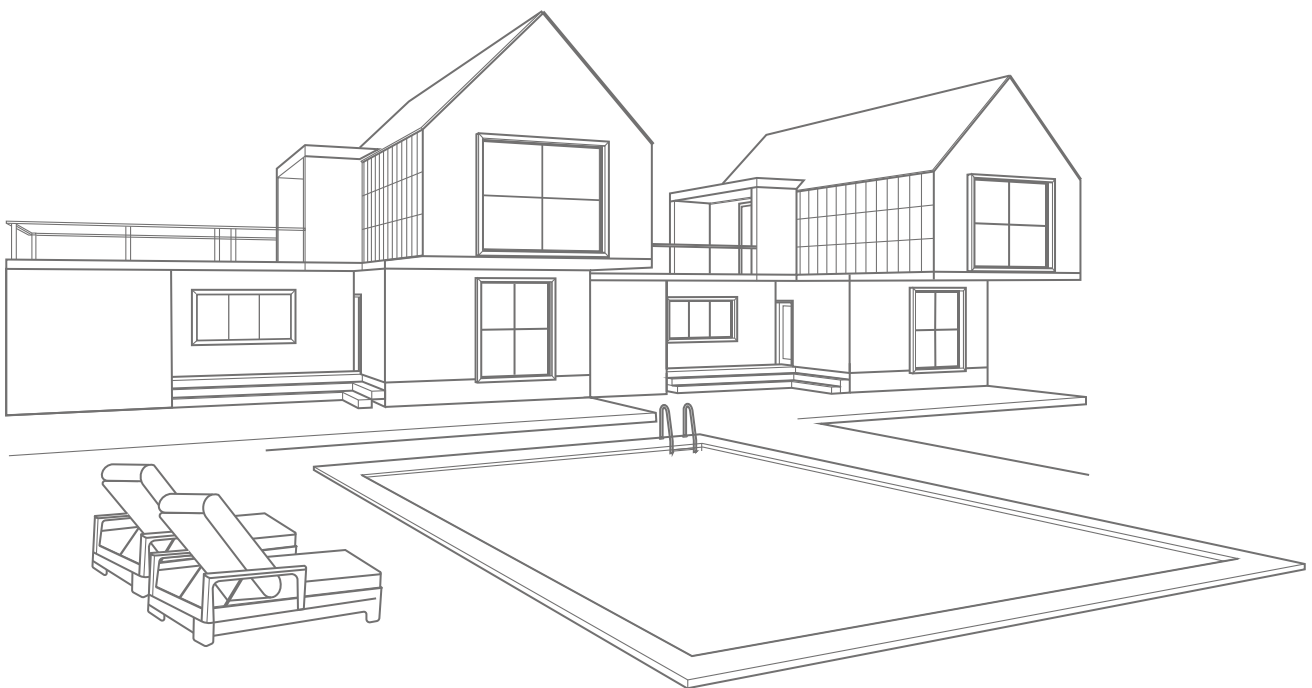


tool shed

Product ID. 7AJNG



Scan for Support
support@garvee.com



Distributed by
GARVEE.com

V251112VYQS

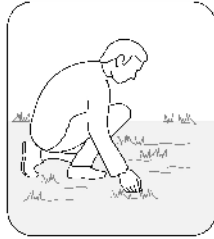
Instructions for Assembly



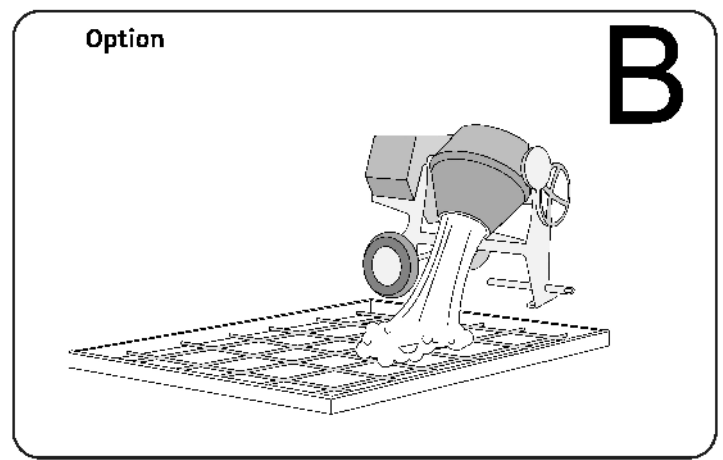
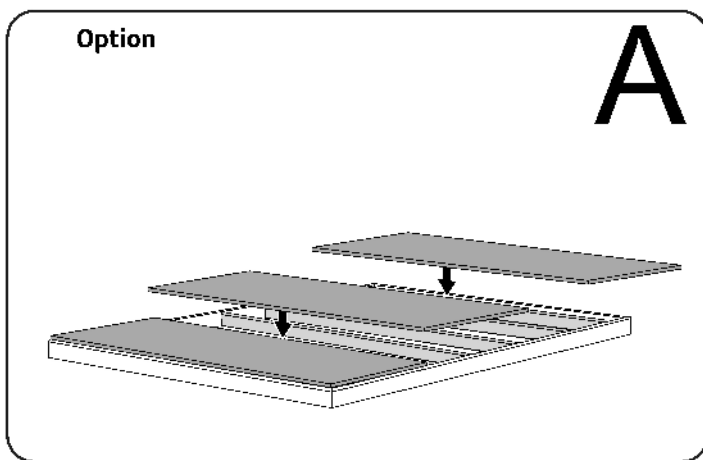
WARNING

Please read the instruction manual carefully before assembly.
Please assembly strictly in accordance with the instruction.
Please double-check to ensure that all parts of the package contents intact.
To avoid injury, work gloves are recommended during assembly.

Level the ground surface



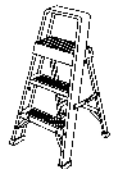
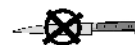
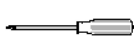
Recommendation: Construct a wooden or concrete base as a foundation



BEFORE STARTING ASSEMBLY

Read the care and safety guidelines at the end of this manual Check to ensure that there are no missing or damaged parts BEFORE starting or arranging assembly Remove all parts from the package(s) and spread them out on a clean work surface Review all assembly instructions Assemble all the parts according to the directions in this manual Do not skip any steps.

REQUIRED TOOLS (Tools Not Included)



(Rubber mallet)



For concrete floors, please prepare 4 pieces of 8*80mm expansion screw, we don't provide them.



For wooden floors, please prepare 4 pieces of 4*60mm wood screws and washers, we don't provide them.



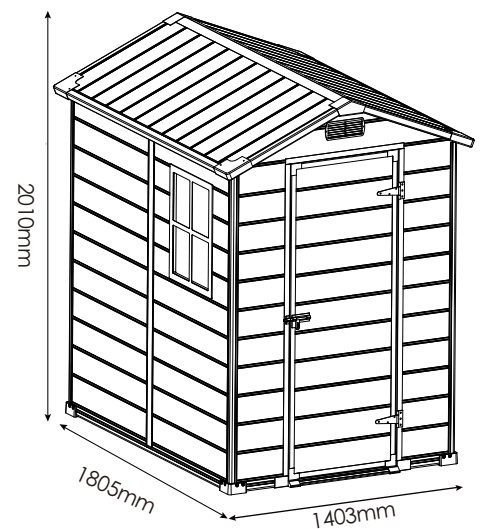
ASSEMBLY REQUIRES TWO PEOPLE

PARTS LIST

NO.	PART.	Qty.
P1		1
P2		1
P3		1
P4		1
P5		2
P6		2
P7		2
P8		3
P9		3
P10		1
P11		1
P12		1
P13		1
P14		4
P15		1
P16		1
P17		1
P18		6
P19		2
BY		2
J1		4
J2		4
J3		2

NO.	PART.	Qty.
J4		2
J5		2
J6		2
M1		1
M2		1
M3		1
M4		1
M5		1
M6		1
M7		2
M8		2
M9		1
M10		2
G		1
L1		1
L2		2
L3		2
L4L		2
L4R		2
L5		4
L6		2
H1		2
C1		1

NO.	PART.	Qty.
C2		1
C3		2
D1		140
D2		36
J7		4
SG		2



● Use spatula (part" SG") for easier insertion of panel into profile

● Please ensure the panels are all installed on position before screwing

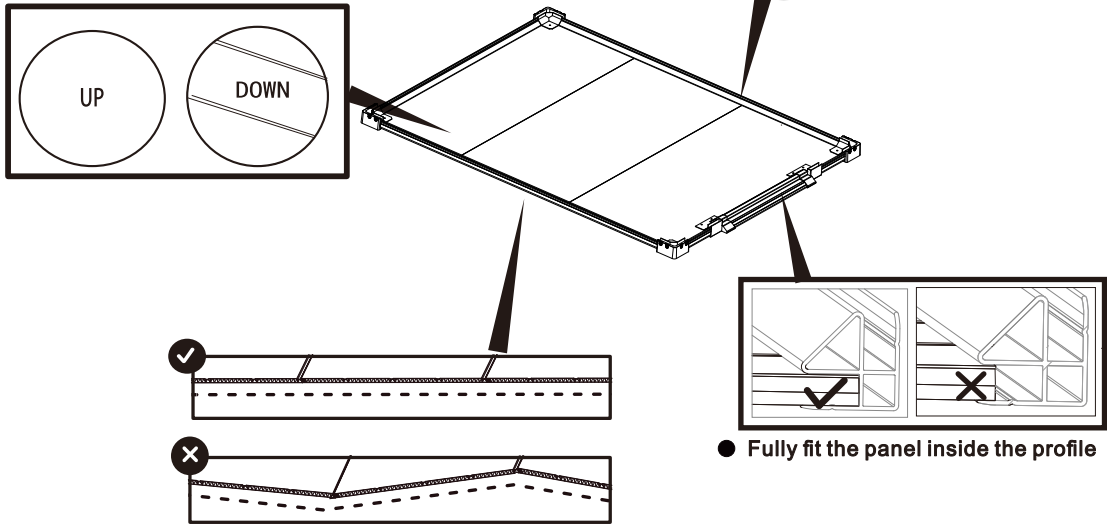


FLOOR ASSEMBLY

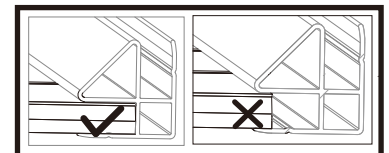
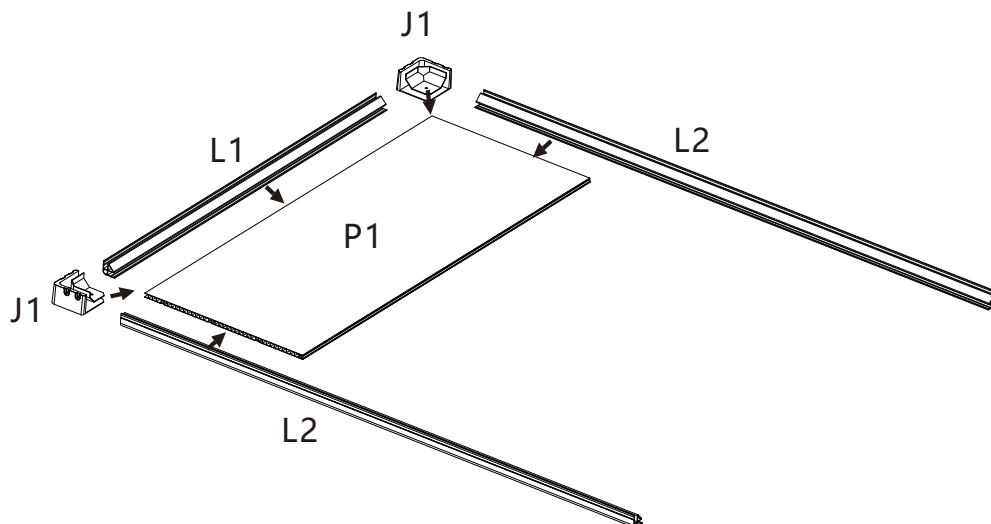


● Use spatula (part "SG") for easier insertion of panel into profile

Note: The crease line of the floor must be underneath

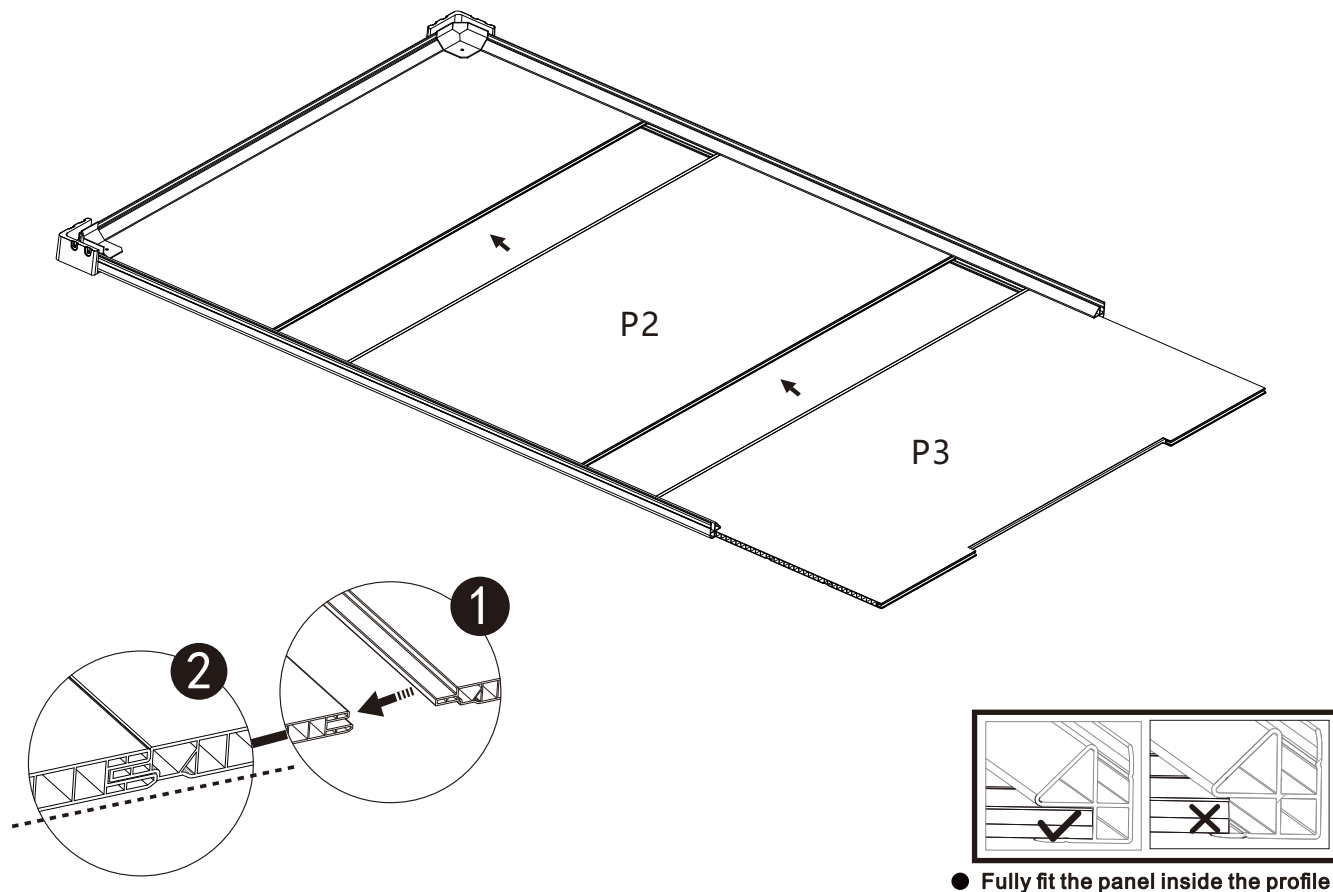


Step 1

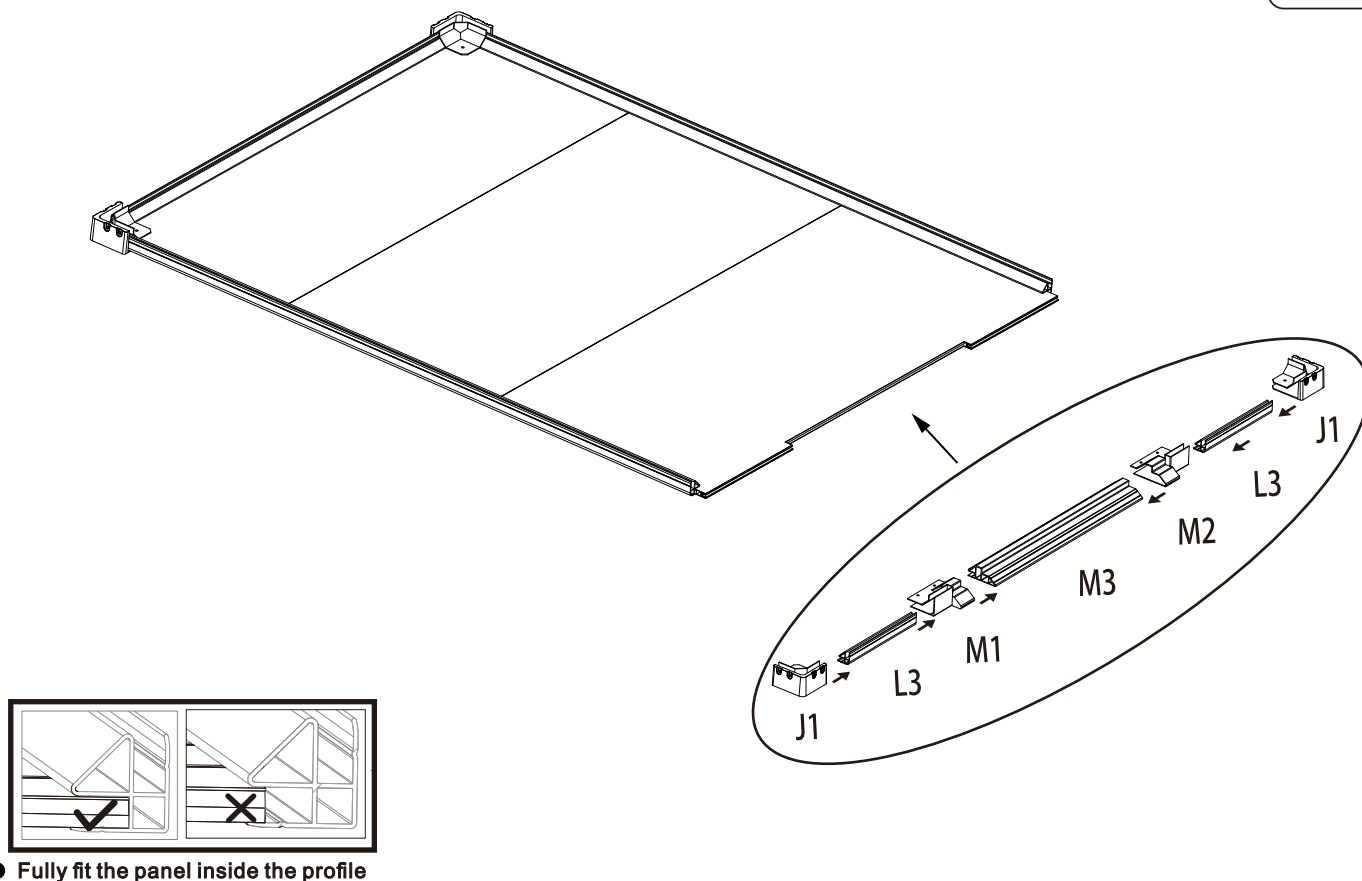


● Fully fit the panel inside the profile

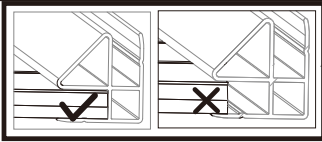
Step 2



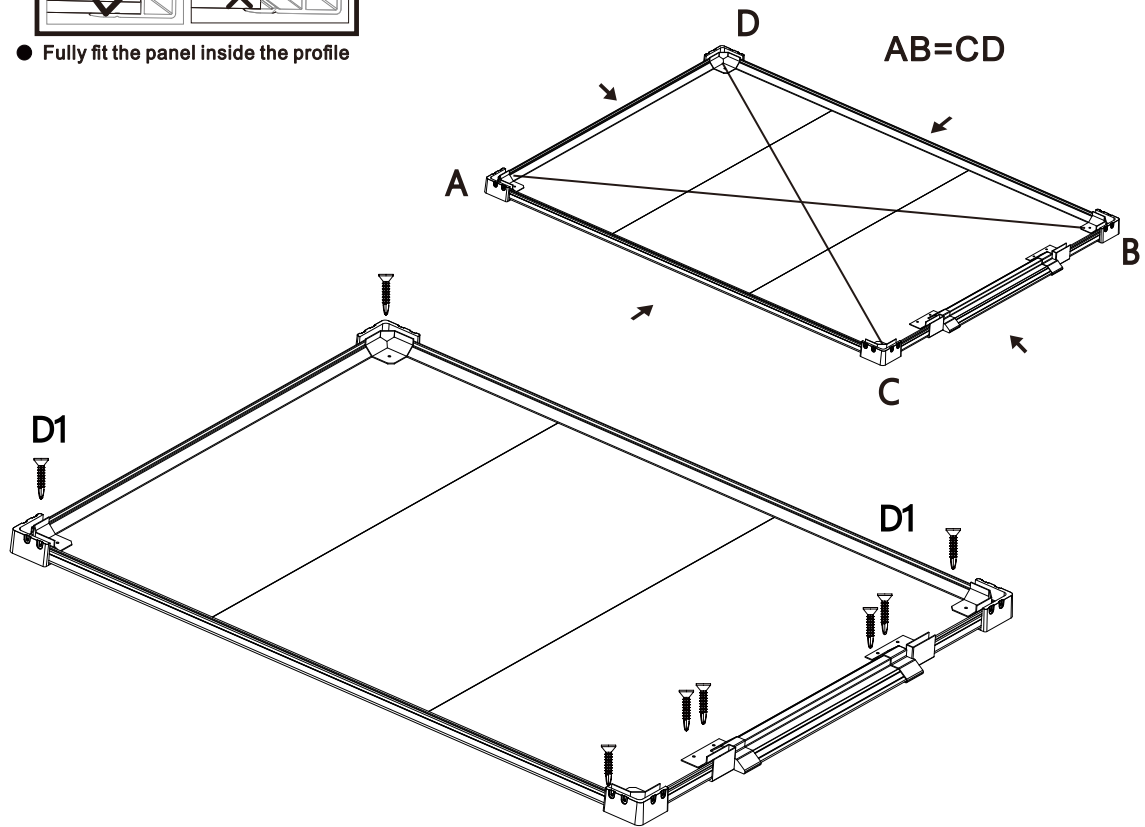
Step 3



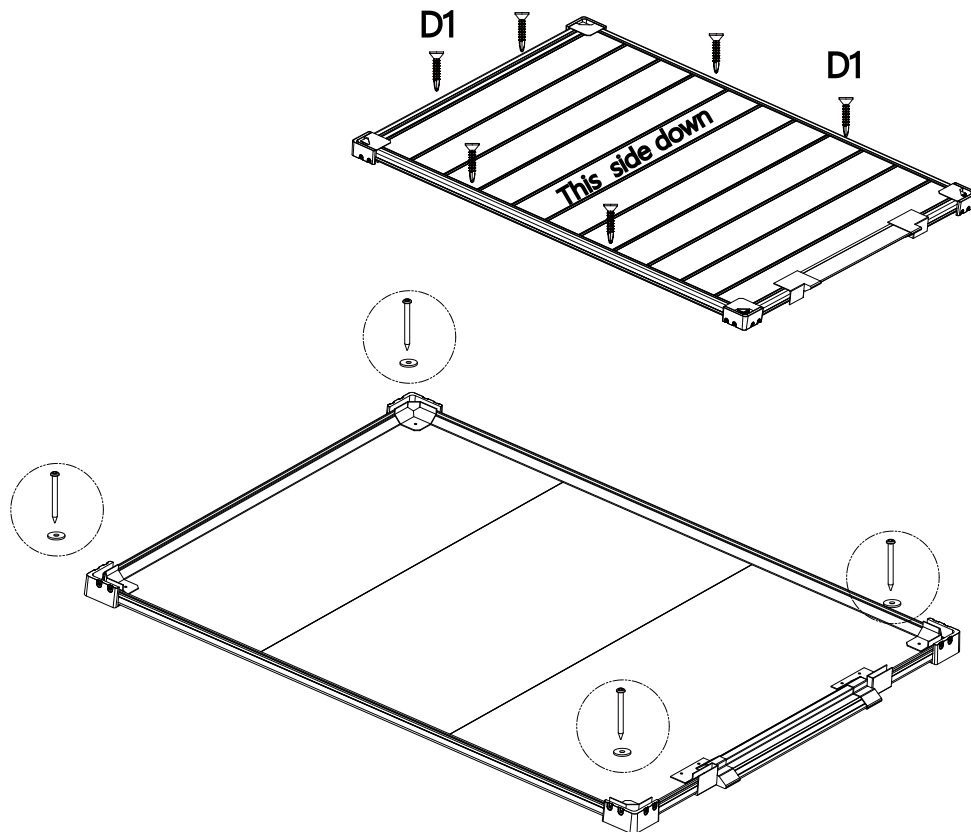
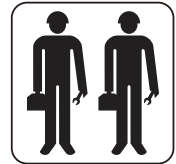
Step 4



- Fully fit the panel inside the profile

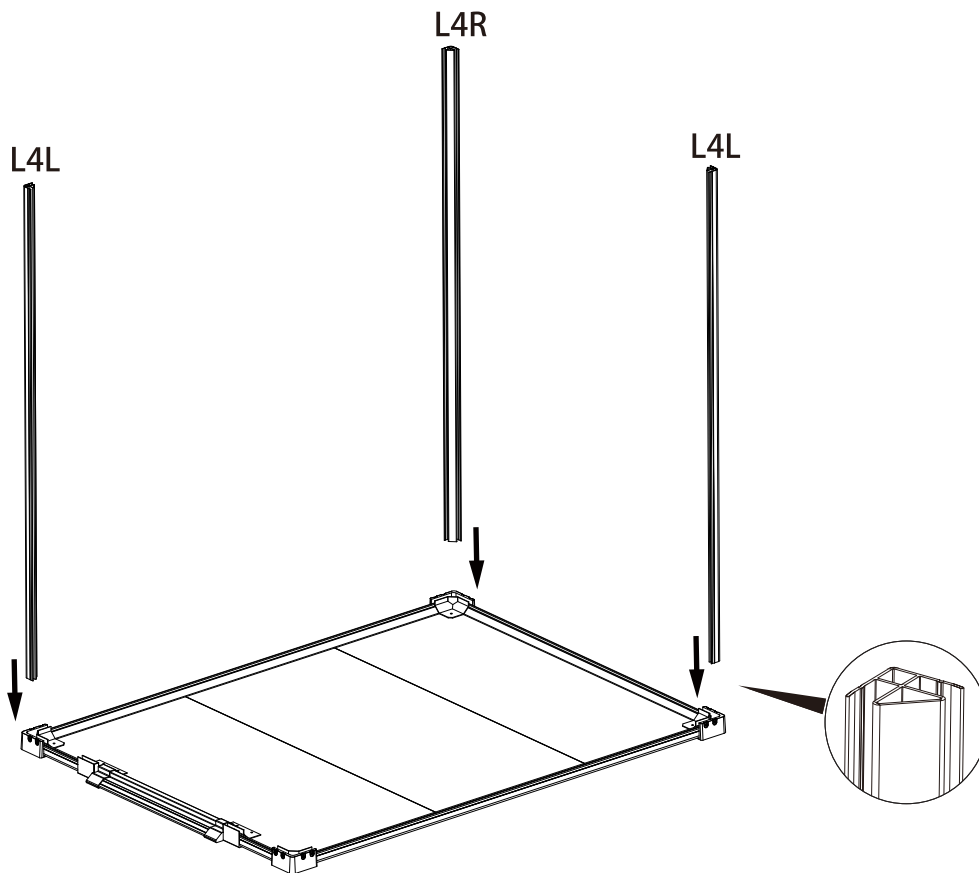


Step 5

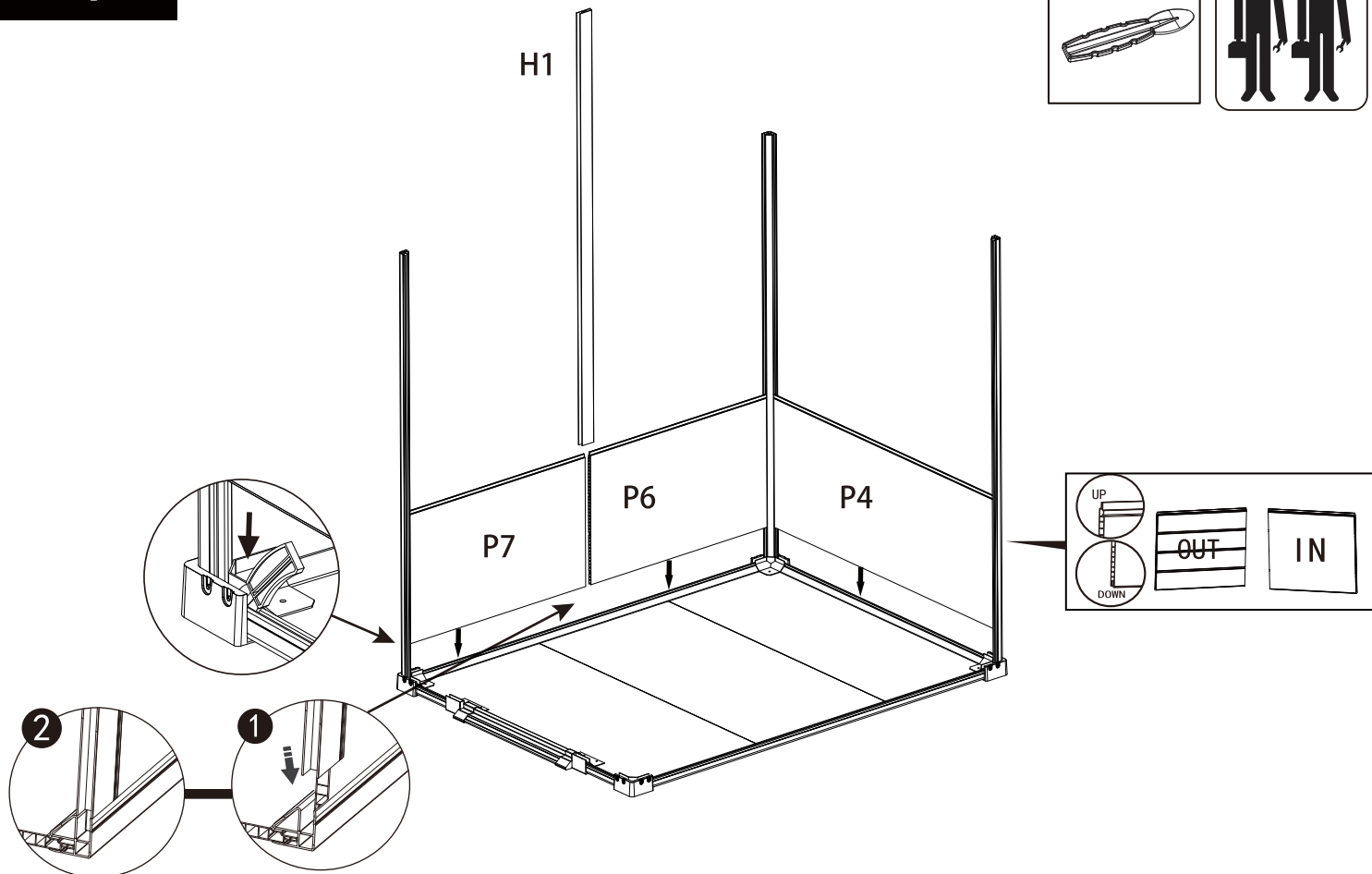
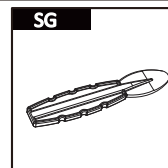


For concrete floors, please prepare 4 pieces of 8*80mm expansion screw, we don't provide them.
For wooden floors, please prepare 4 pieces of 4*60mm wood screws and washers, we don't provide them.

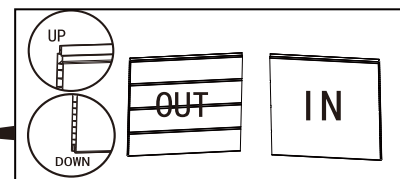
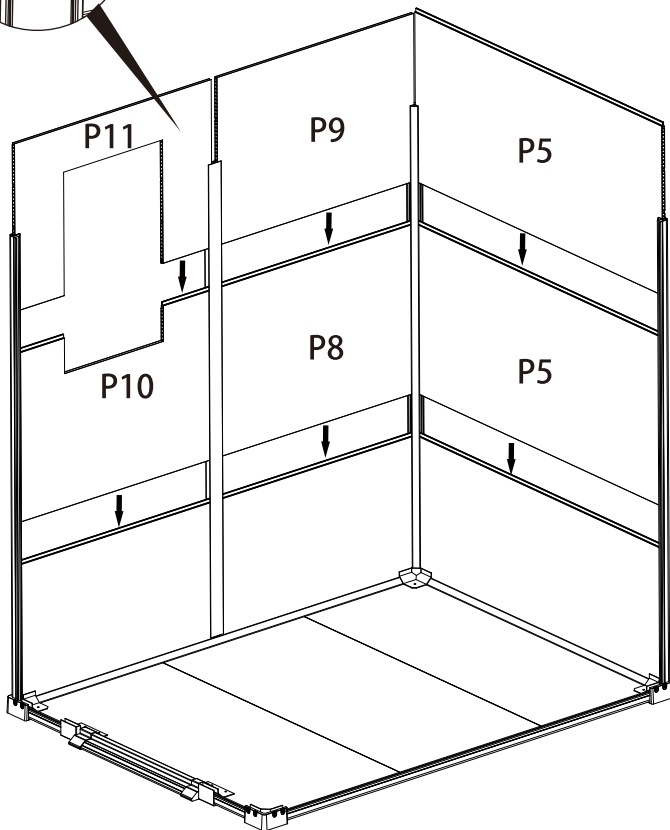
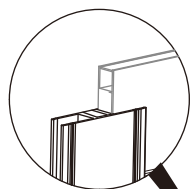
Step 6



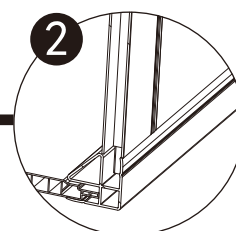
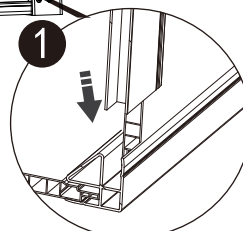
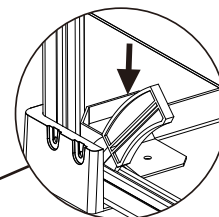
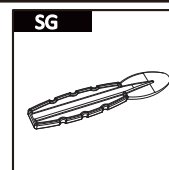
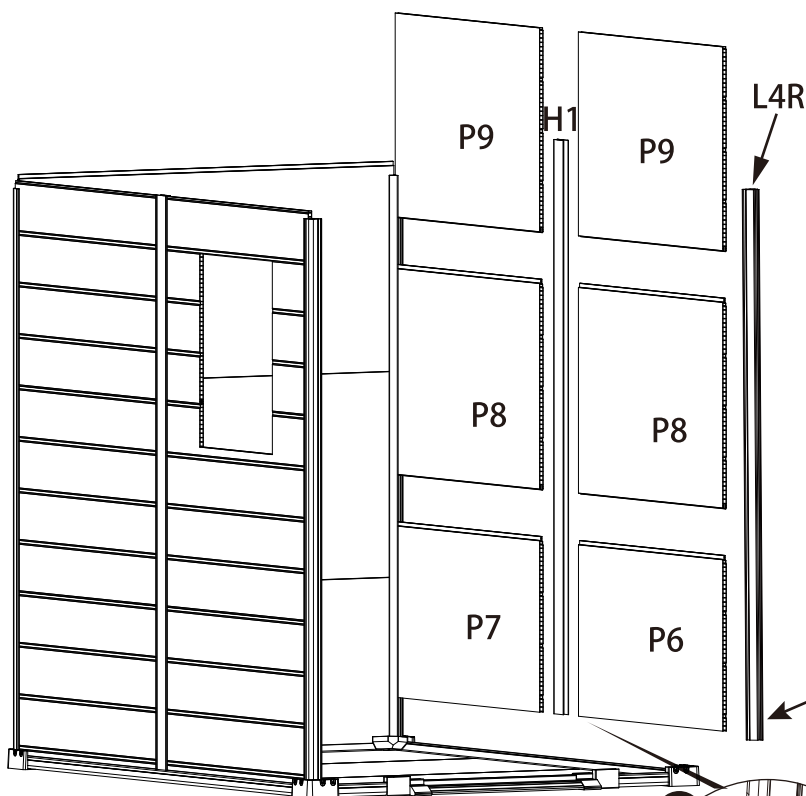
Step 7



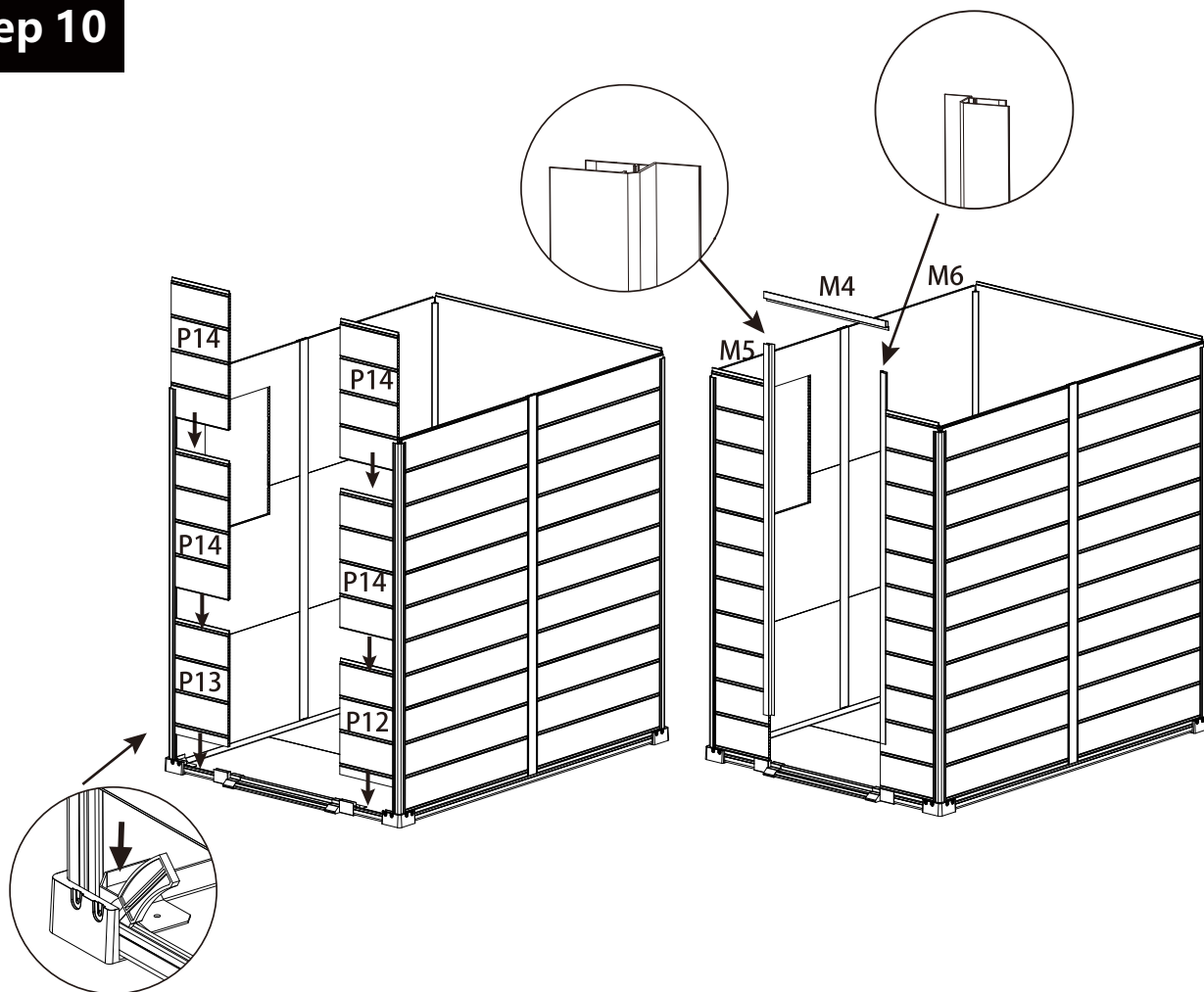
Step 8



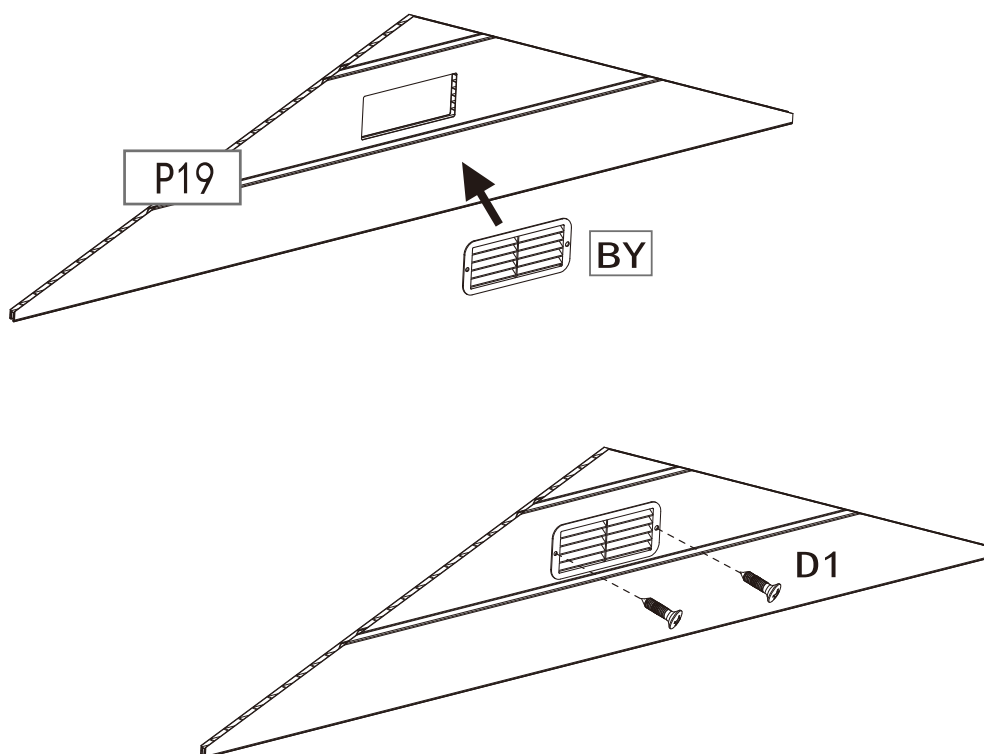
Step 9



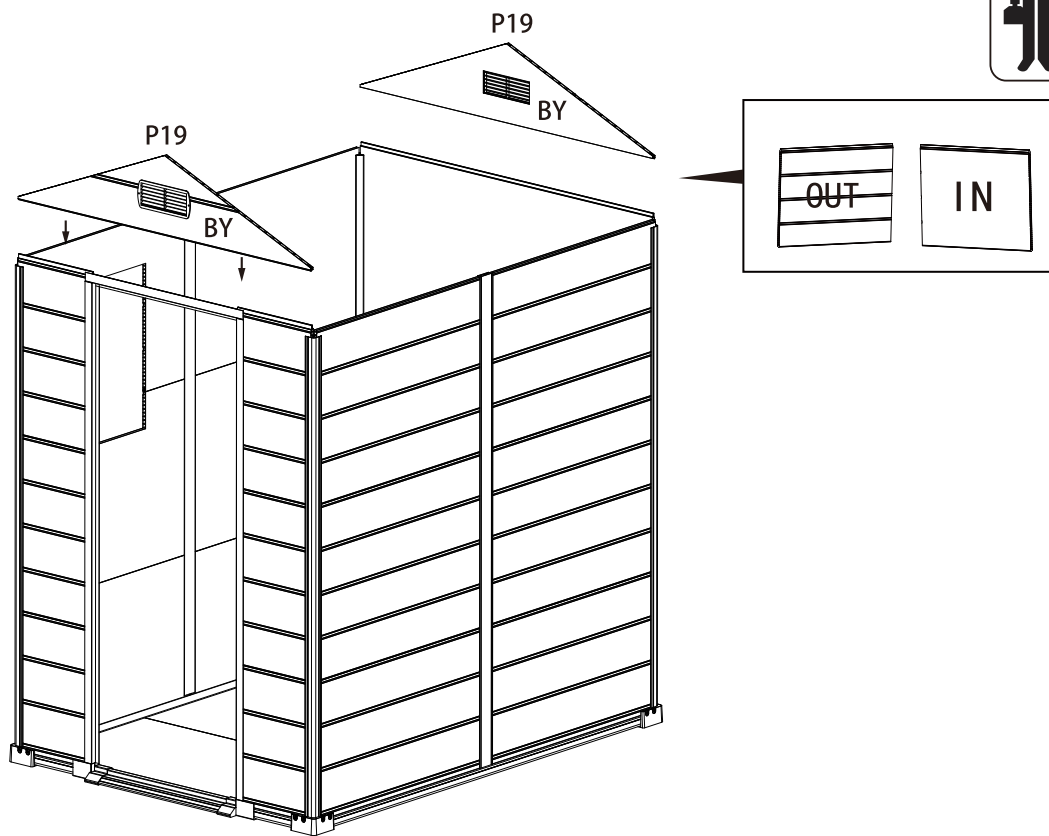
Step 10



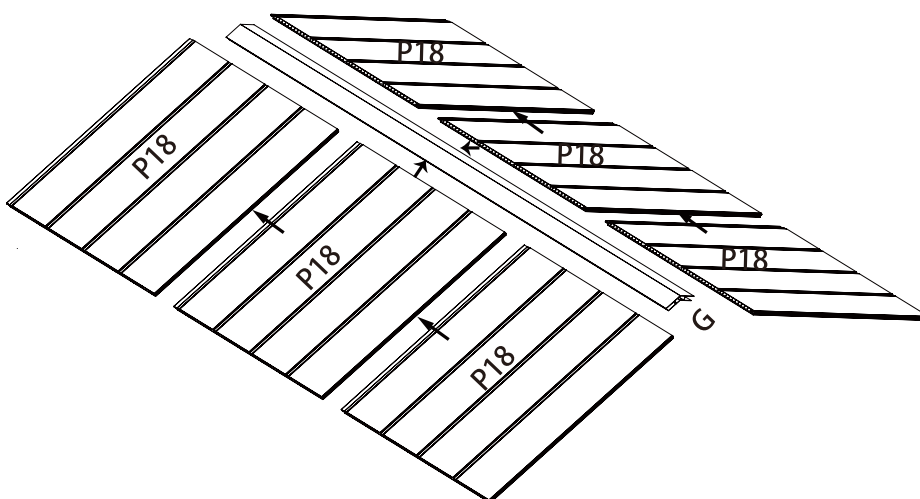
Step 11



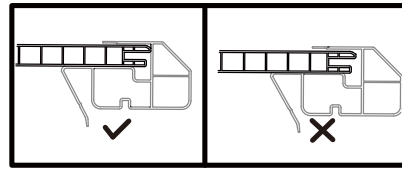
Step 12



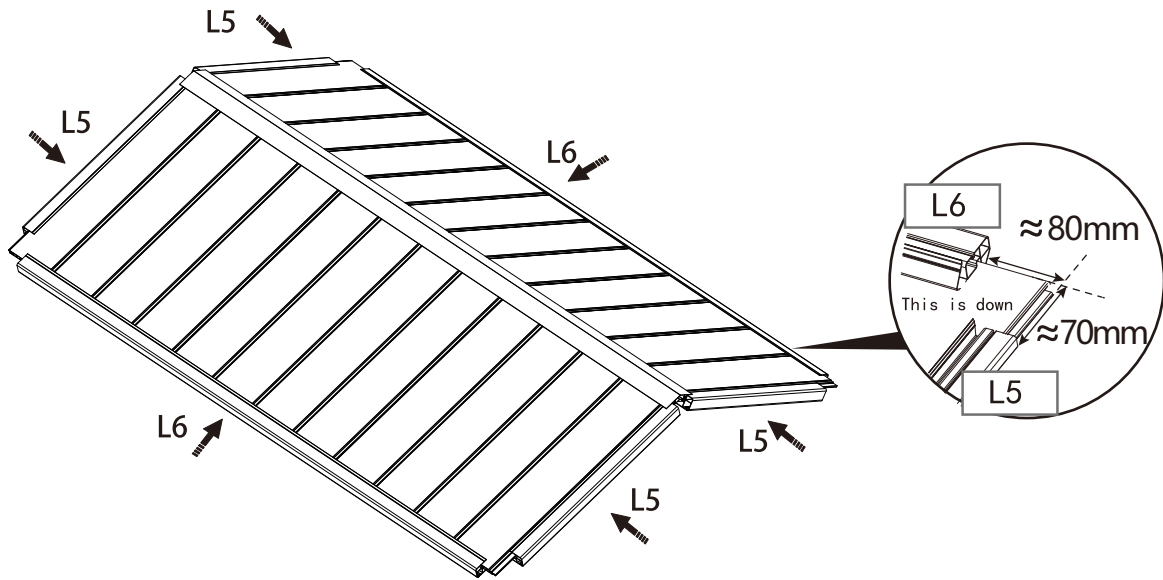
Step 13



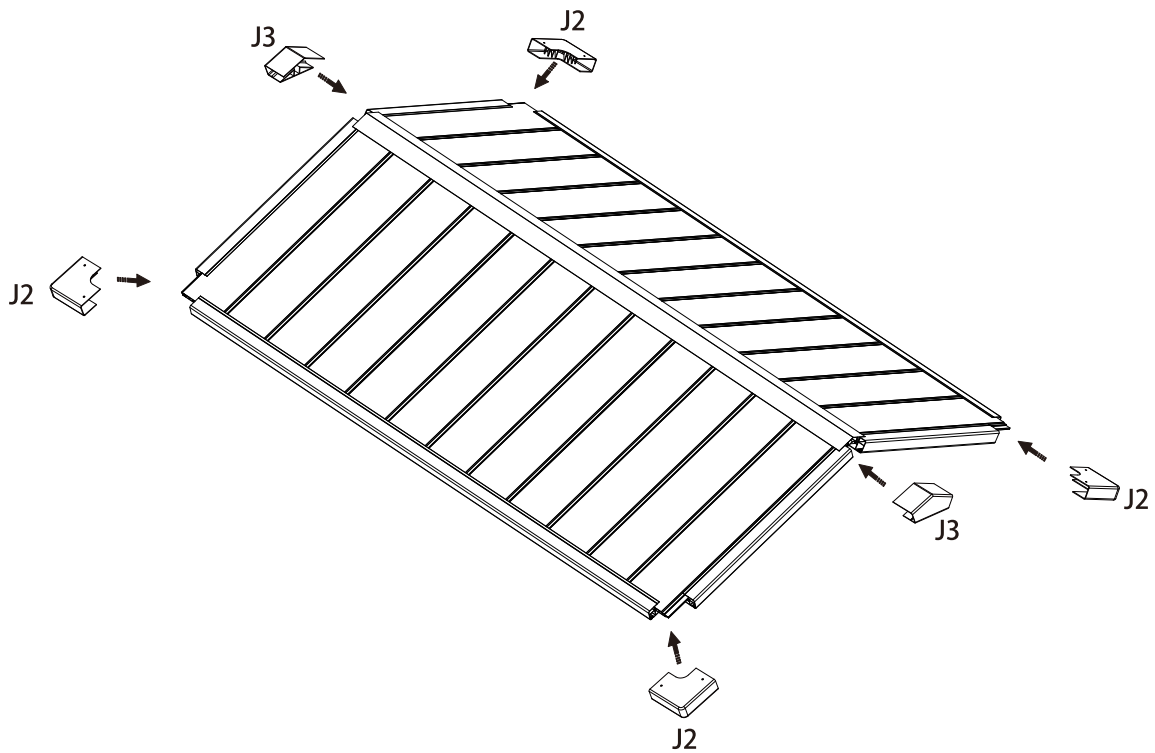
Step 14



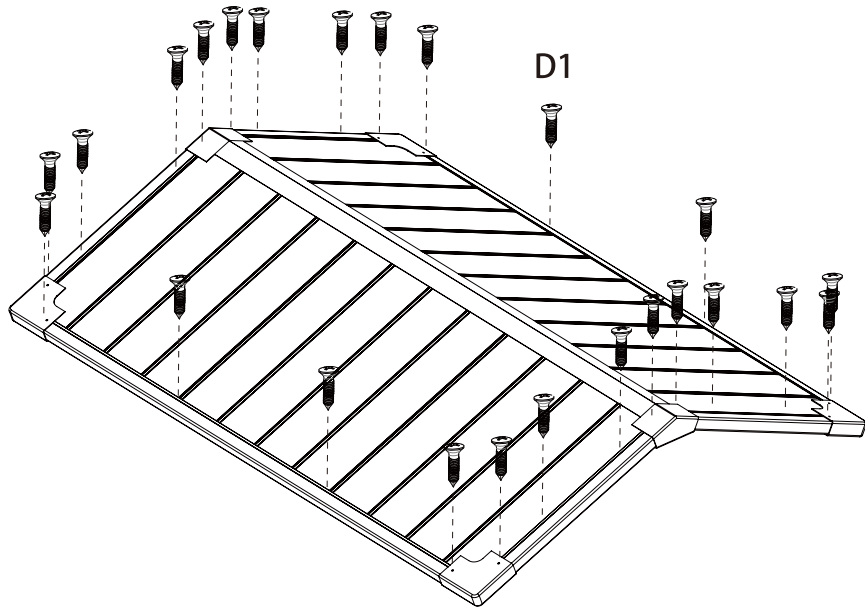
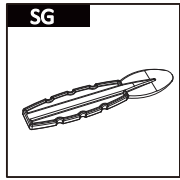
Fully fit the panel inside the profile



Step 15

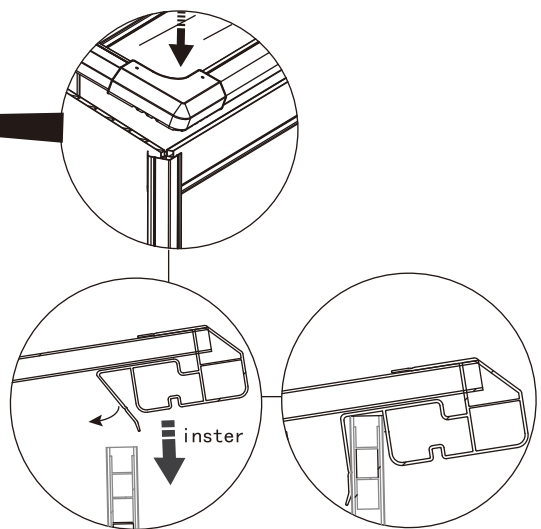
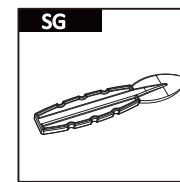


Step 16



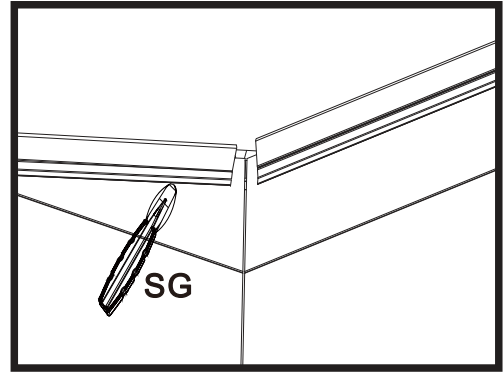
The roof covering is installed onto the roof before the screws are driven in.

Step 17

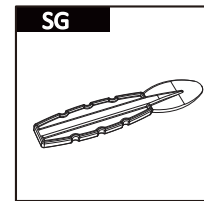


Fully fit the panel inside the profile

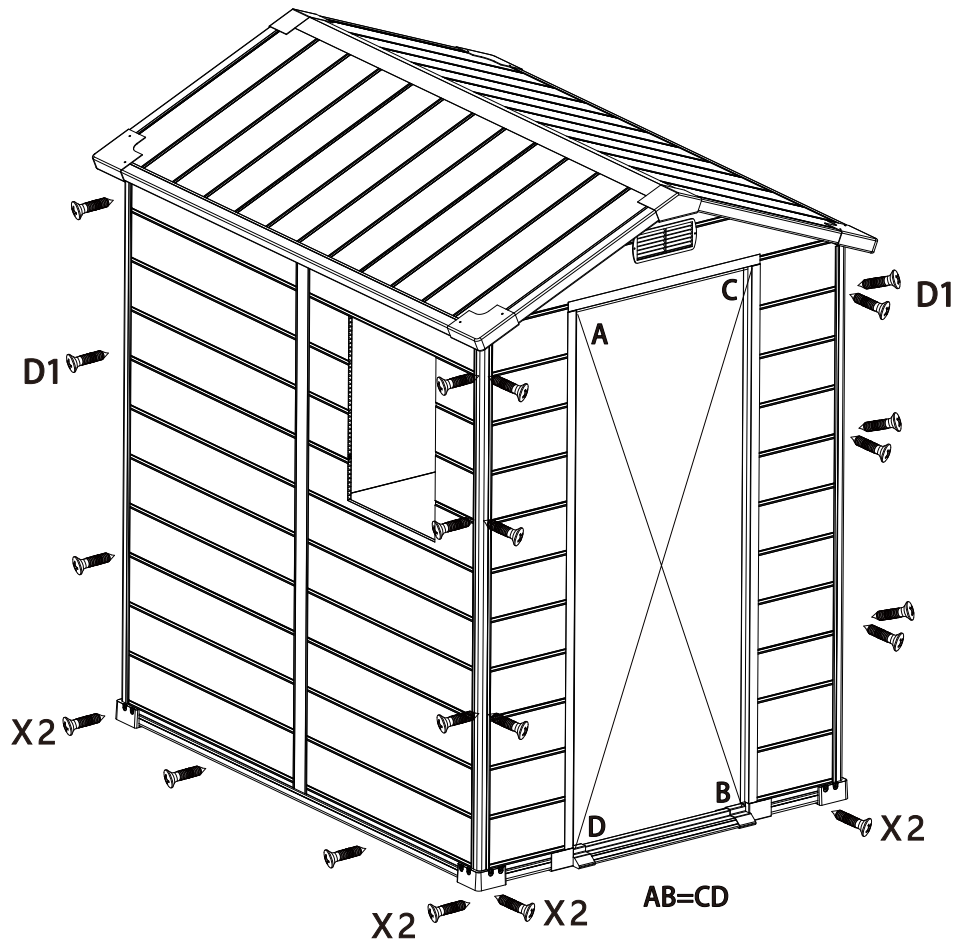
Step 18



Fully fit the panels inside the profiles of roof

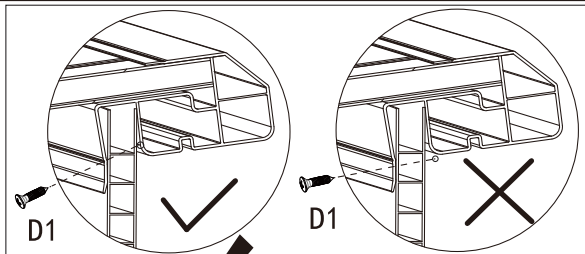
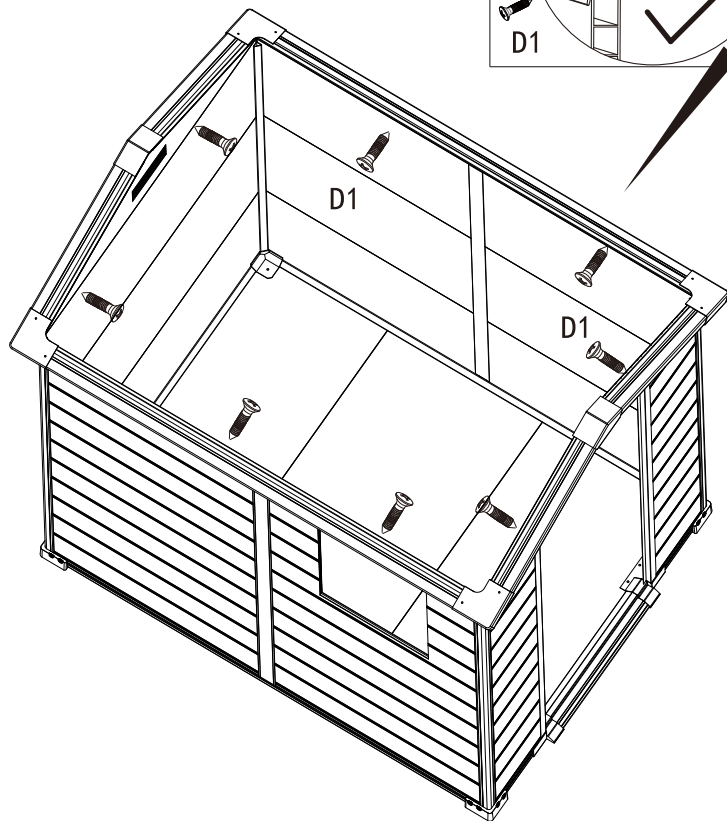


Step 19

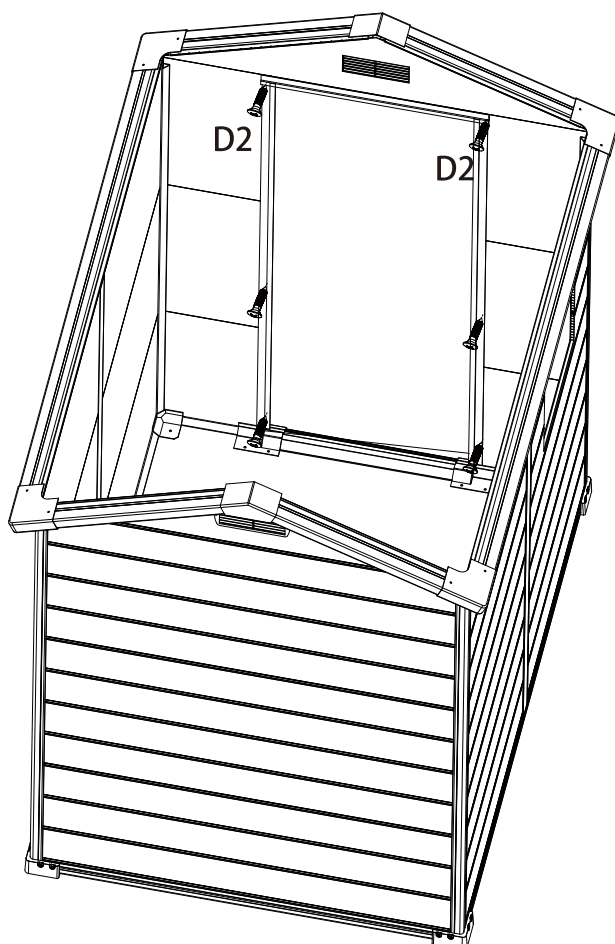


Fixing four-side wall plate by self-tapping

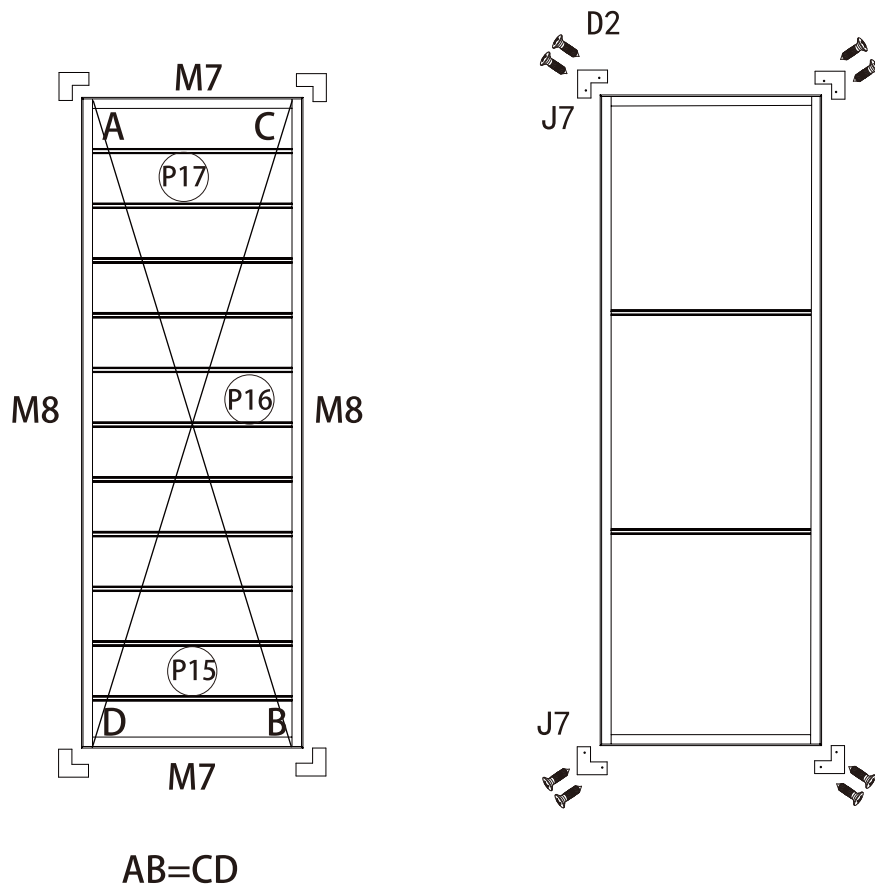
Step 20



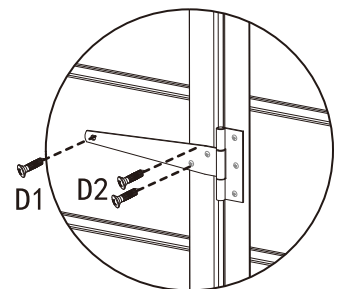
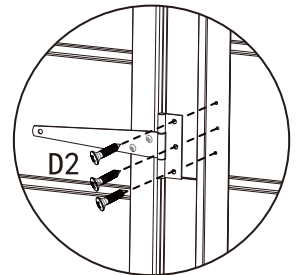
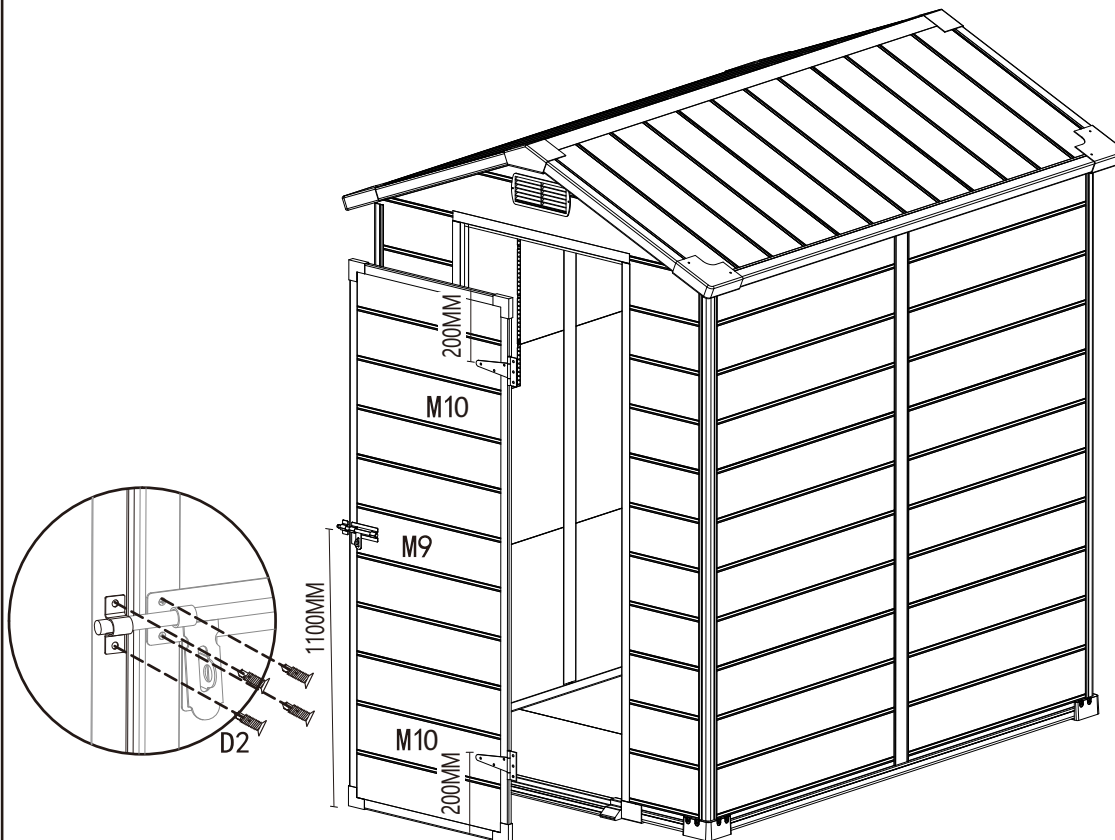
Step 21



Step 22

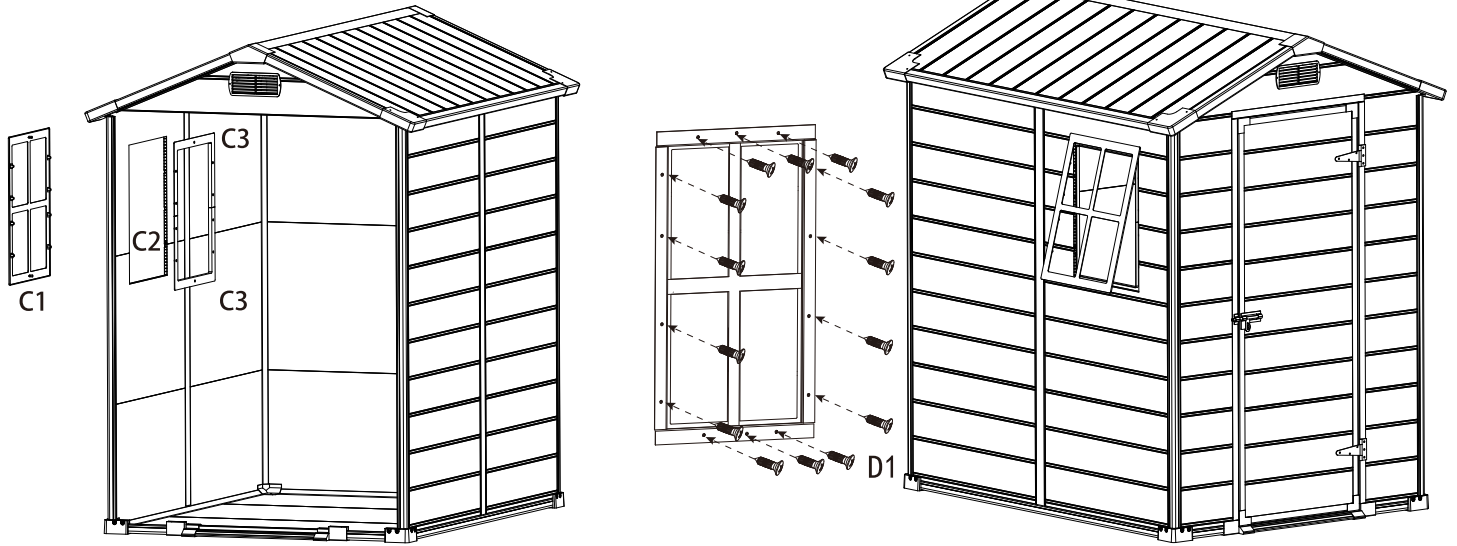
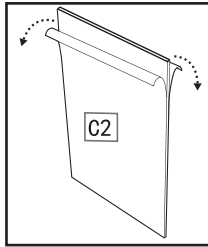


Step 23

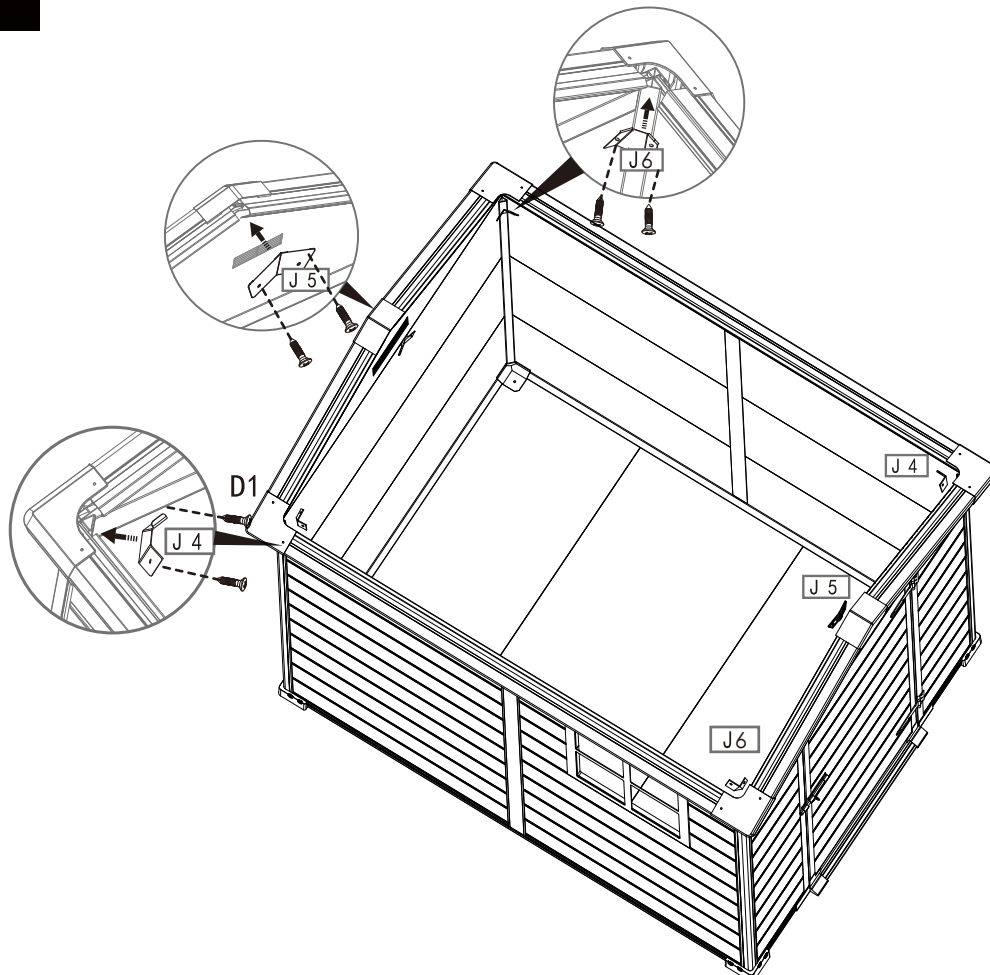


Step 24

- Remove the film before fixing C2



Step 25



Limited Liability & Warning

No Unauthorized Modifications/Repairs: Do not modify or attempt to repair this product unless you are an authorized technician. Unauthorized actions may create hazards and void all warranties

Misuse & Non-Compliance: We are not liable for any injury, damage, or loss resulting from:

- (a) misuse, abuse, neglect, or improper installation;
- (b) failure to follow instructions or safety precautions;
- (c) use of unauthorized parts/accessories;
- (d) unauthorized modifications/repairs;
- (e) accidents, natural disasters, or external causes.

If you doubt any step of installation or operation, stop using the product and contact authorized service or the customer support.

LIMITACIÓN DE RESPONSABILIDAD Y ADVERTENCIA

Modificaciones o Reparaciones No Autorizadas: NO modifique ni intente reparar este producto a menos que sea un técnico autorizado. Las acciones no autorizadas pueden generar riesgos y anularán todas las garantías.

Uso Indebido e Incumplimiento: No asumimos responsabilidad alguna por lesiones, daños o pérdidas que resulten de:

- (a) uso indebido, abuso, negligencia o instalación incorrecta;
- (b) incumplimiento de las instrucciones o precauciones de seguridad;
- (c) uso de piezas o accesorios no autorizados;
- (d) modificaciones o reparaciones no autorizadas;
- (e) accidentes, desastres naturales o causas externas.

Si tiene dudas sobre algún paso de la instalación o el funcionamiento, deje de usar el producto y póngase en contacto con el servicio técnico autorizado o con atención al cliente.

GARVEE
support@garvee.com