













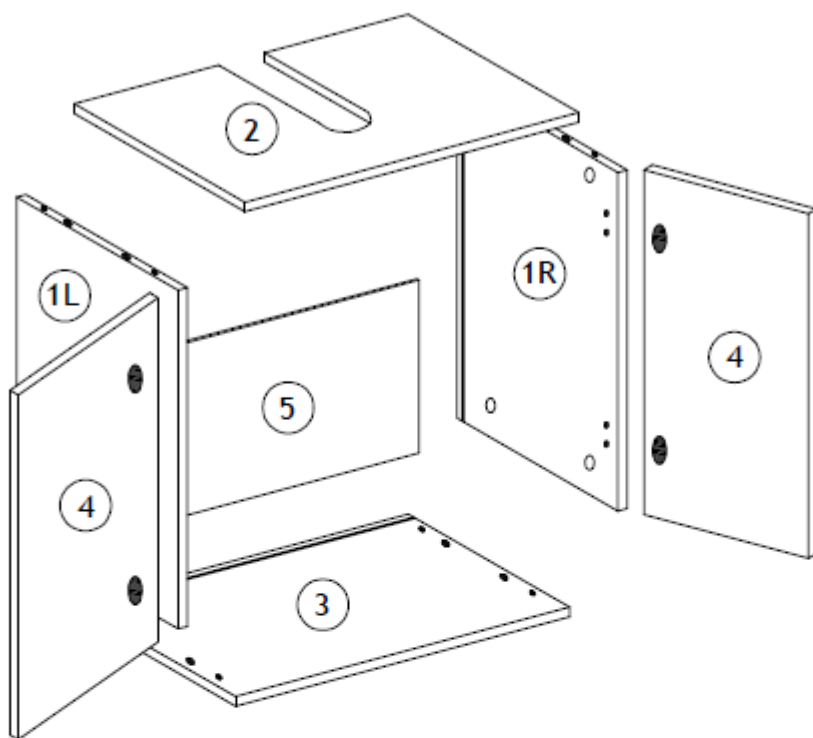
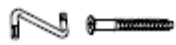
 (K1) x4	 (Ea2) 4*16mm x4	 (U6) x4
 (B2) x2	 (L1) x4	 (E11) 4*16mm x8
 (F2) 6,3*13mm x8	 (B1) 6,3*50mm x4	 (B) $\phi$ 12mm x4
 (R4) N°4 x1	 (C1) 6*43mm x4	 (D1) 15/16 x4
 (D) $\phi$ 20mm x4	 (A1) 8*30mm x8	 (H2) x4



No	a*b	X	Nob
1L+R	568x312	2	1
2	580x330	1	1
3	580x312	1	1
4	578x285	2	1
5	556x290	1	1
6		1	1