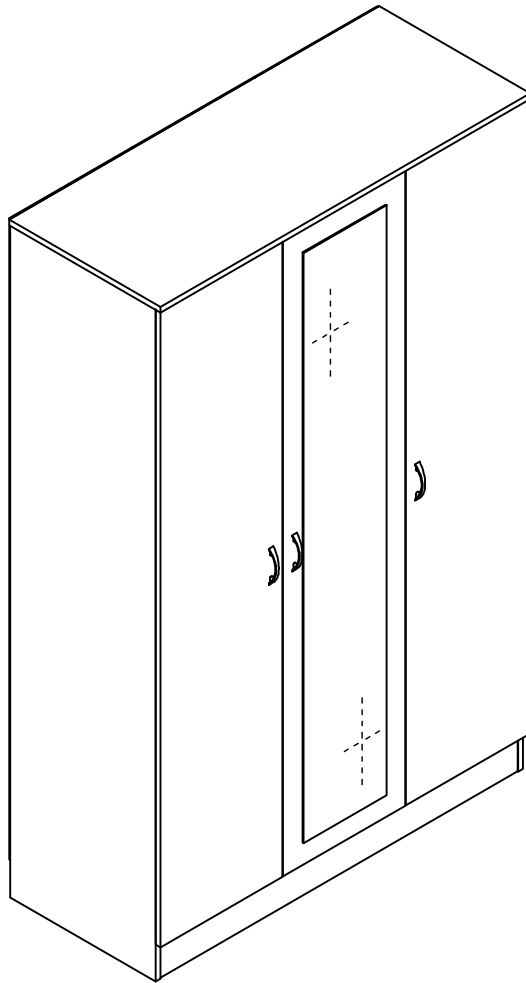


High Gloss Bedroom Furniture 3Pcs Set

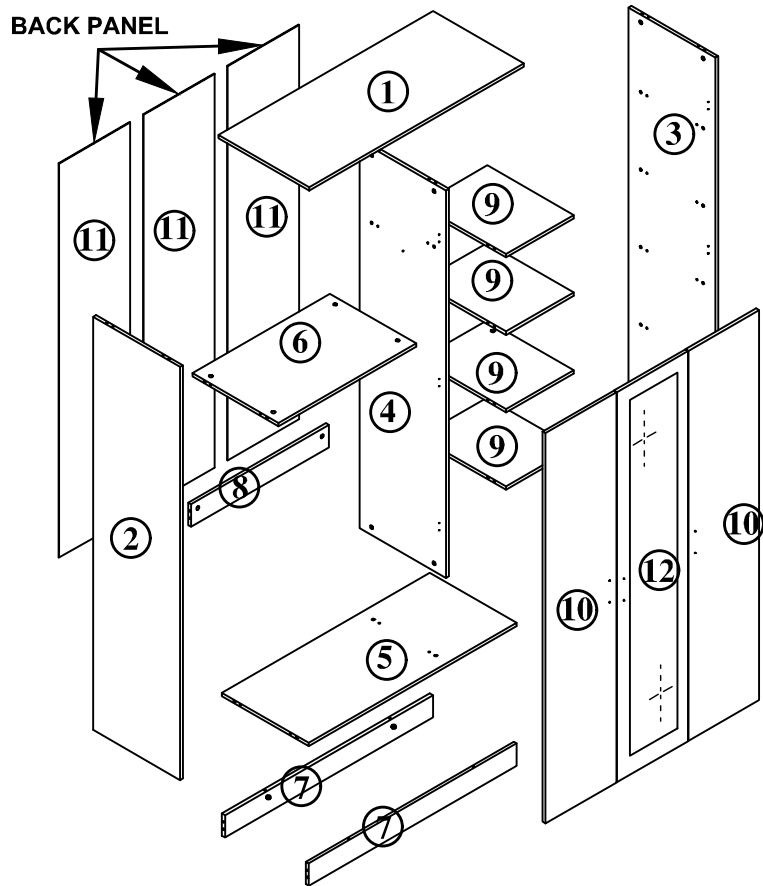
Wardrobe Door Hinge with Soft Close Function

ASSEMBLY INSTRUCTION - Please Keep for Future Reference

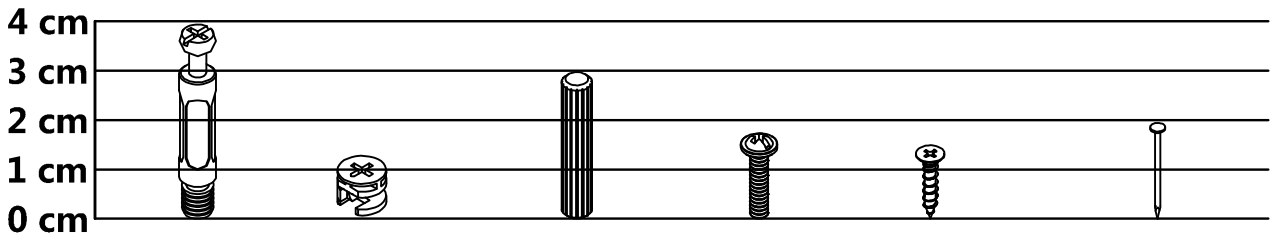


Please check the pack contents before assembling the product .
 if any components are missing, please contact your retailer.the
 fittings pack contains small items that should be kept away
 from small children.

CODE	PART NAME	QTY	CODE	PART NAME	QTY
1	1135X 470 X 15MM TOP PANEL	1PC	7	1101 X 90 X 15MM BOTTOM CROSS BAR	2PCS
2	1780 X 445 X 15MM LEFT HAND SIDE PANEL	1PC	8	728 X 90 X 15MM MIDDLE CROSS BAR	1PC
3	1780 X 445 X 15MM RIGHT HAND SIDE PANEL	1PC	9	374 X 441 X 15MM SHELF PANEL	4PCS
4	1675 X 443 X 15MM MIDDLE SIDE PANEL	1PC	10	1689 X 375 X 15MM DOOR PANEL	2PCS
5	1101 X 443 X 15MM BOTTOM PANEL	1PC	11	1705 X 375 X 3MM BACK PANEL	3PCS
6	728 X 441 X 15MM SHELF PANEL	1PC	12	1689 X 375 X 15MM DOOR PANEL	1PC



Fixings (to scale)



Bolt
M6X40mm
A=42

Lock
D15X12mm
B=42

Dowel
D6X30mm
C=42

Screw
M4X18mm
E=6





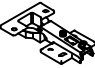
Screw
M3.5X14mm
F=58

Nail pin
19mm
G=30

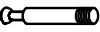





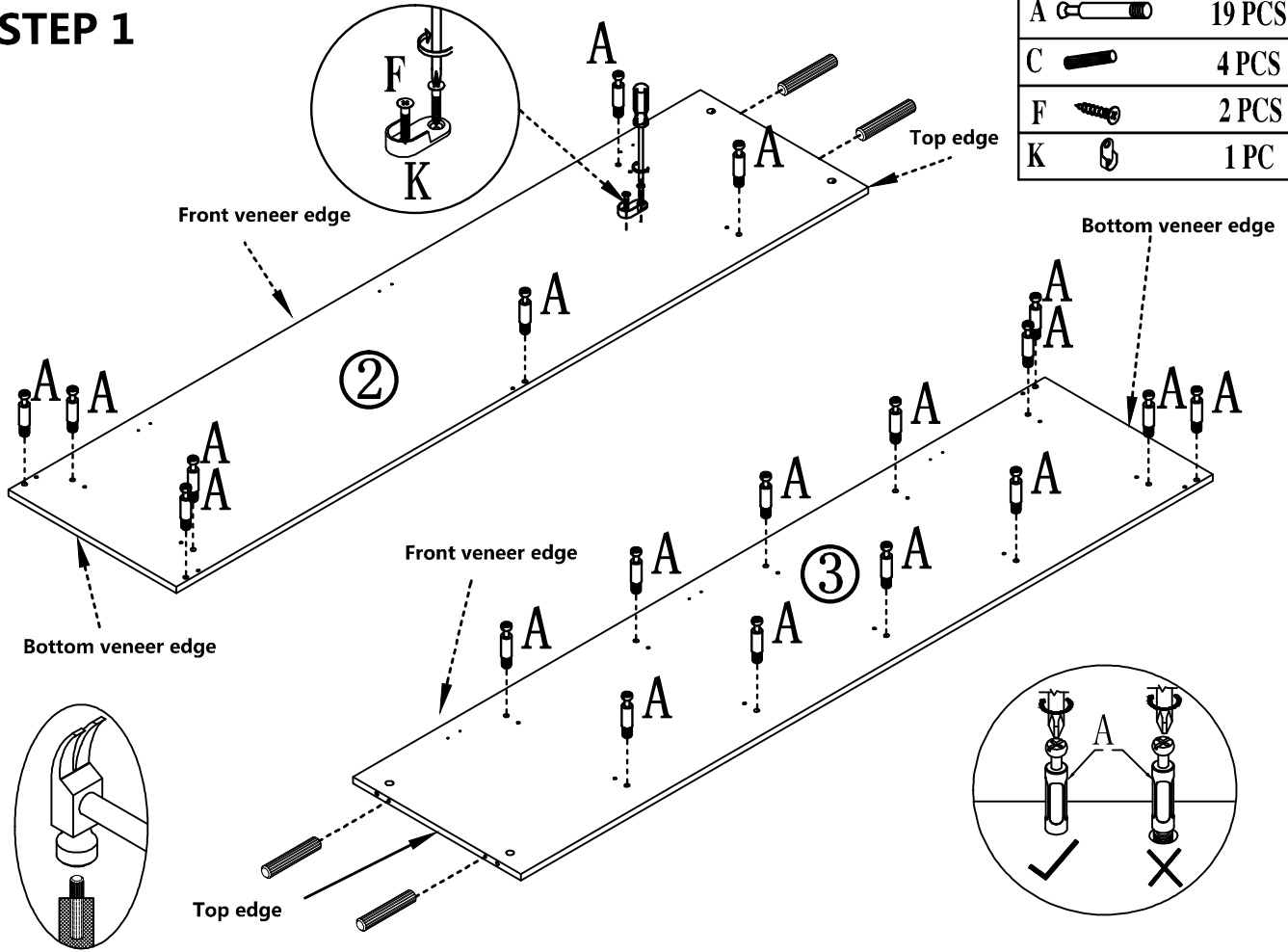
Nail Leg
D15X15mm
H=4

Fixings (not to scale)

Handle  L128mm D=3	Hanging Rail Support  K=2	Hanging Rail  L722mm L=1	Hinge  I=3	Hinge  J=6	

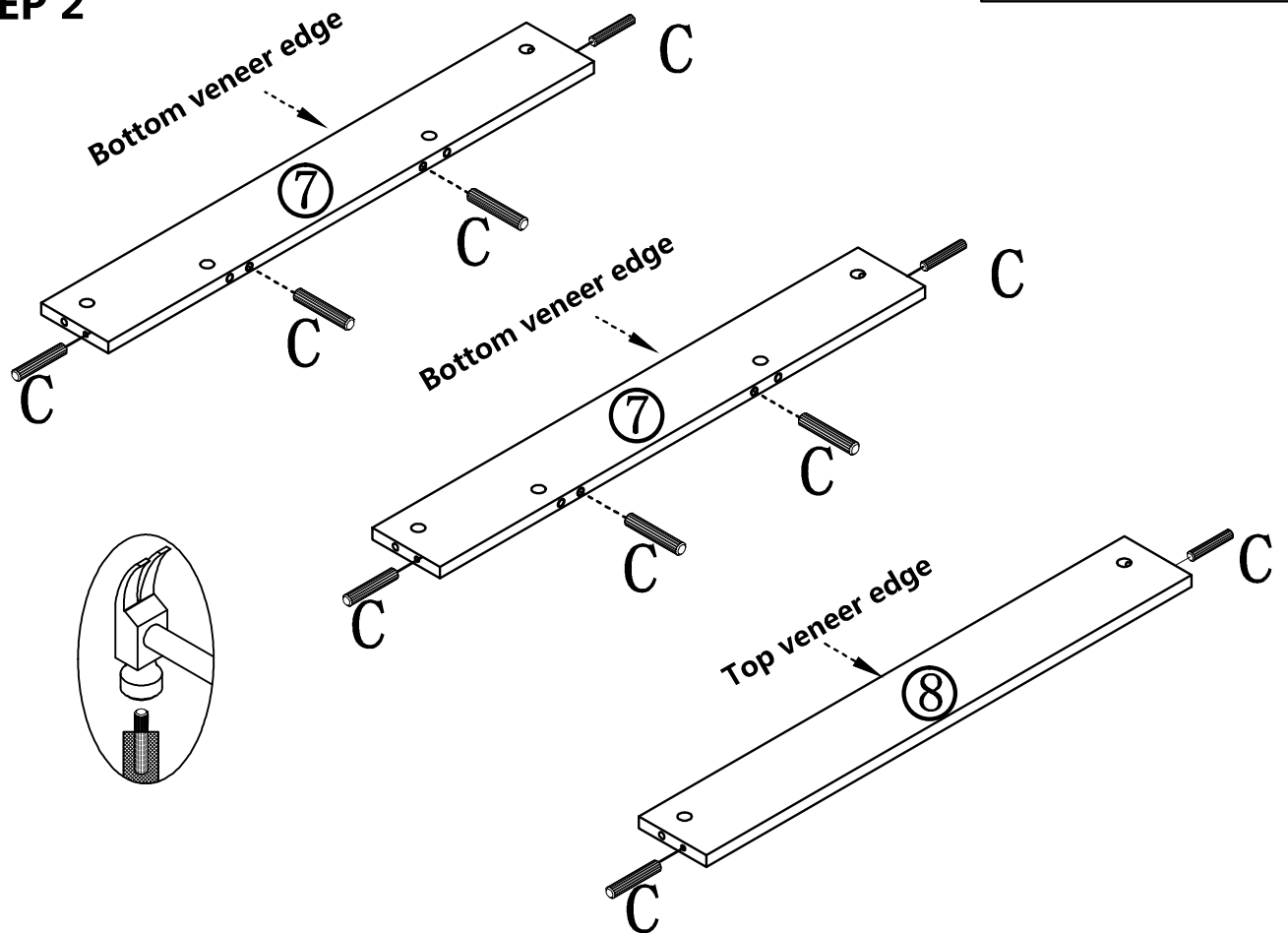
STEP 1

A		19 PCS
C		4 PCS
F		2 PCS
K		1 PC

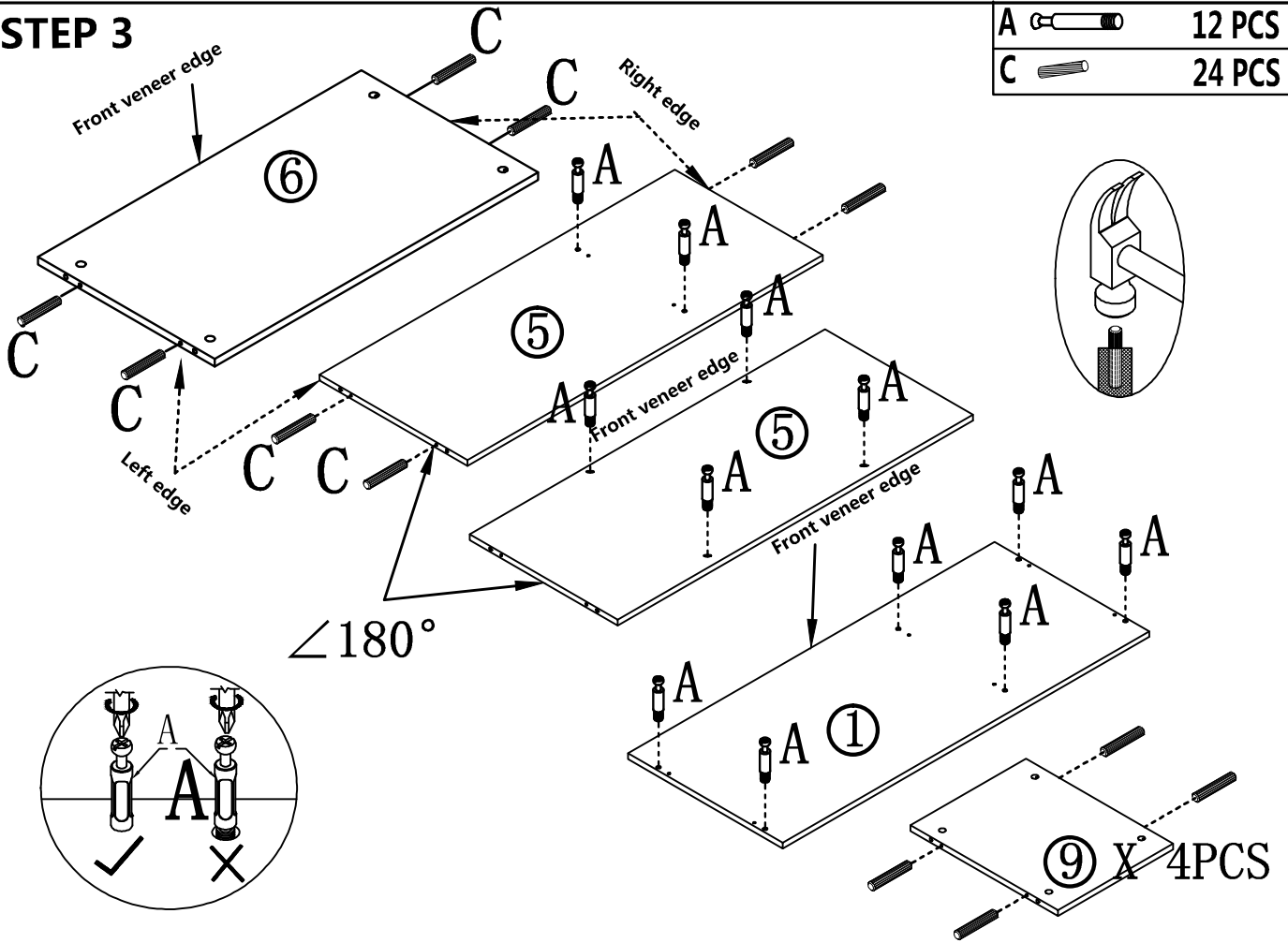


STEP 2

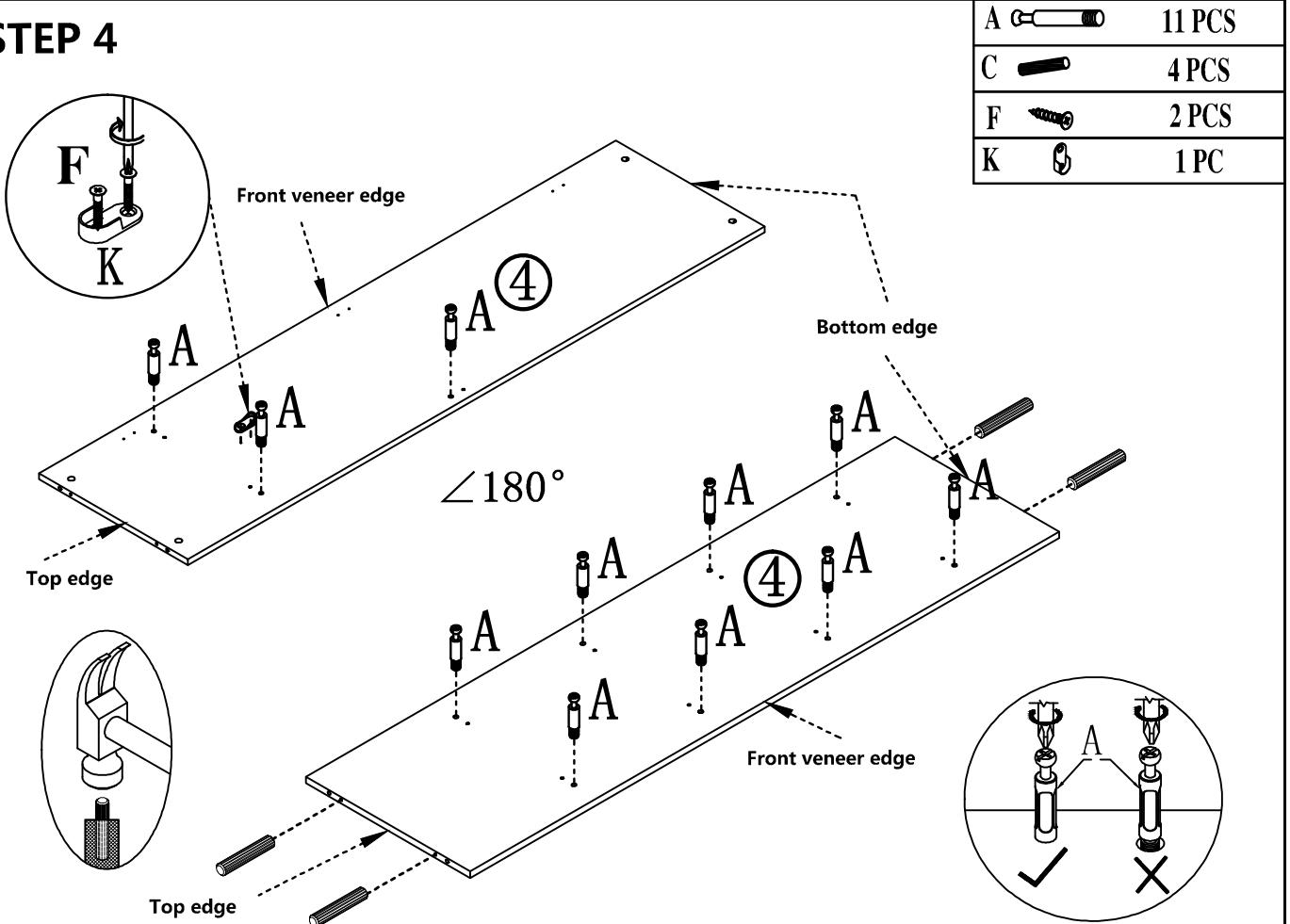
C		6 PCS
---	---	-------



STEP 3



STEP 4

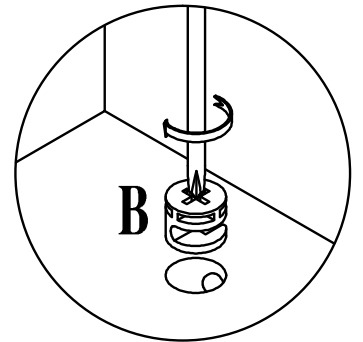
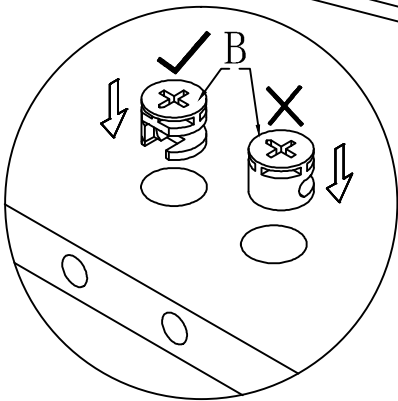
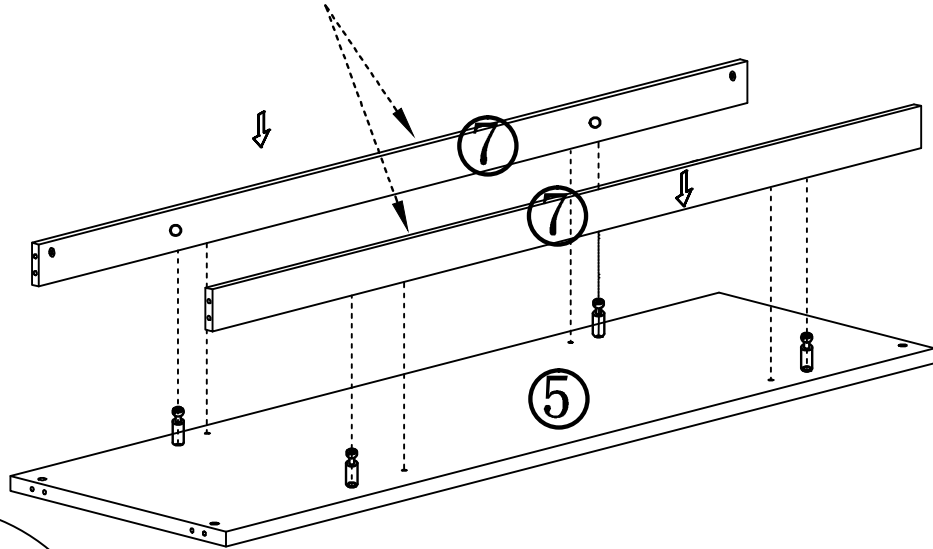


STEP 5

B 

4 PCS

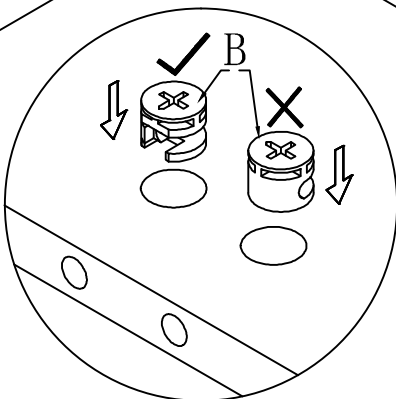
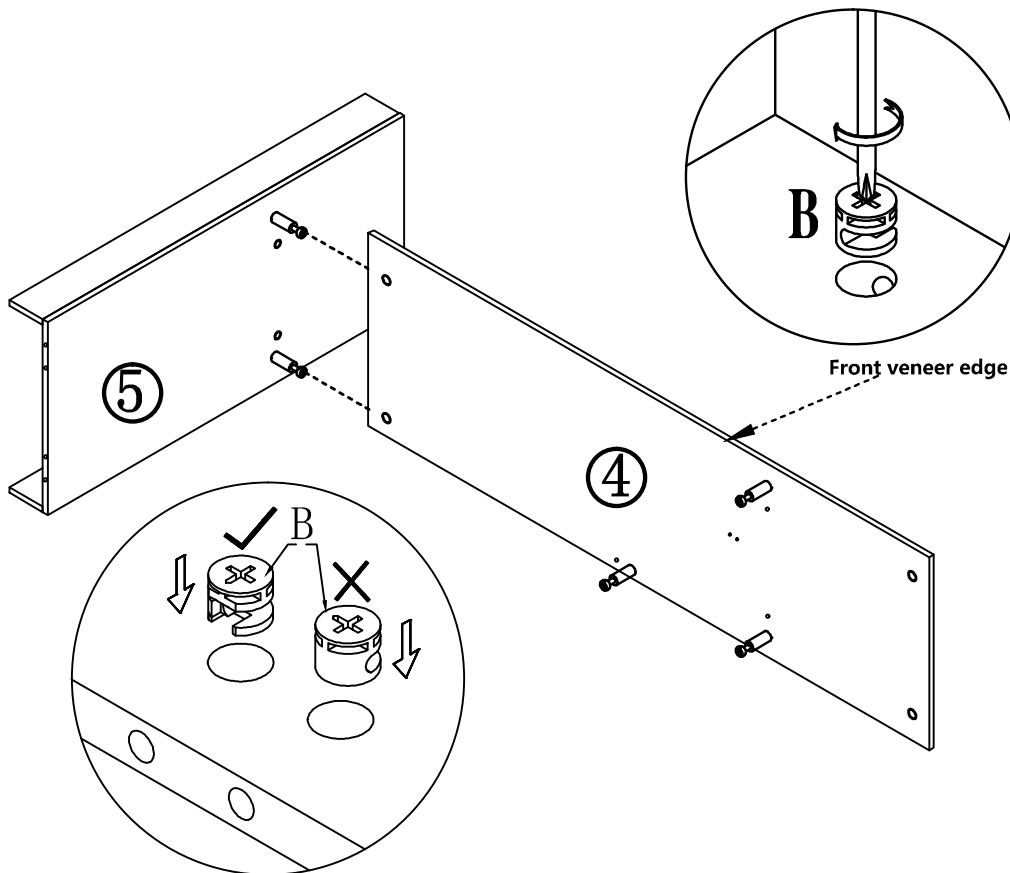
Bottom veneer edge



STEP 6

B 

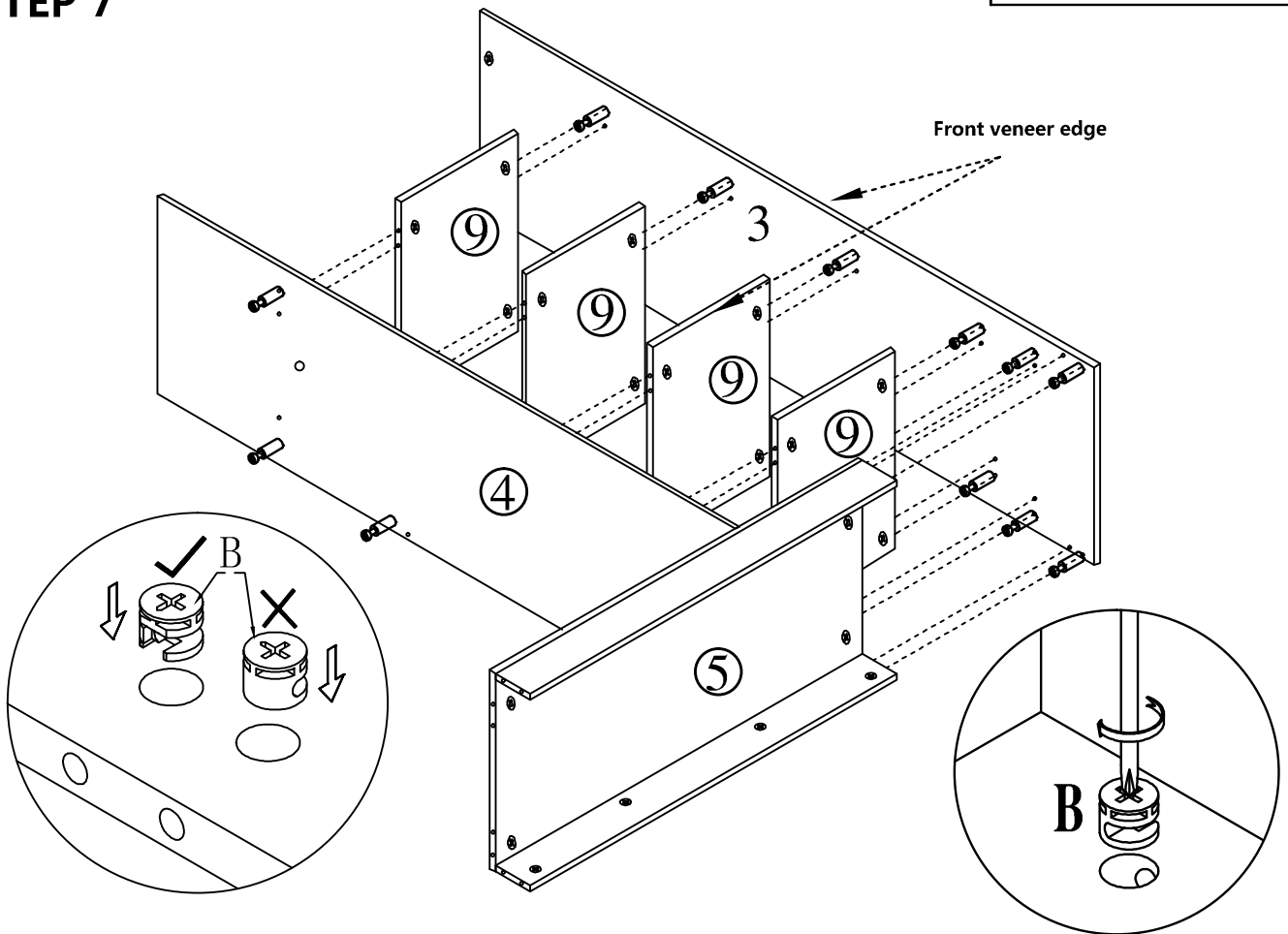
2 PCS



STEP 7

B 

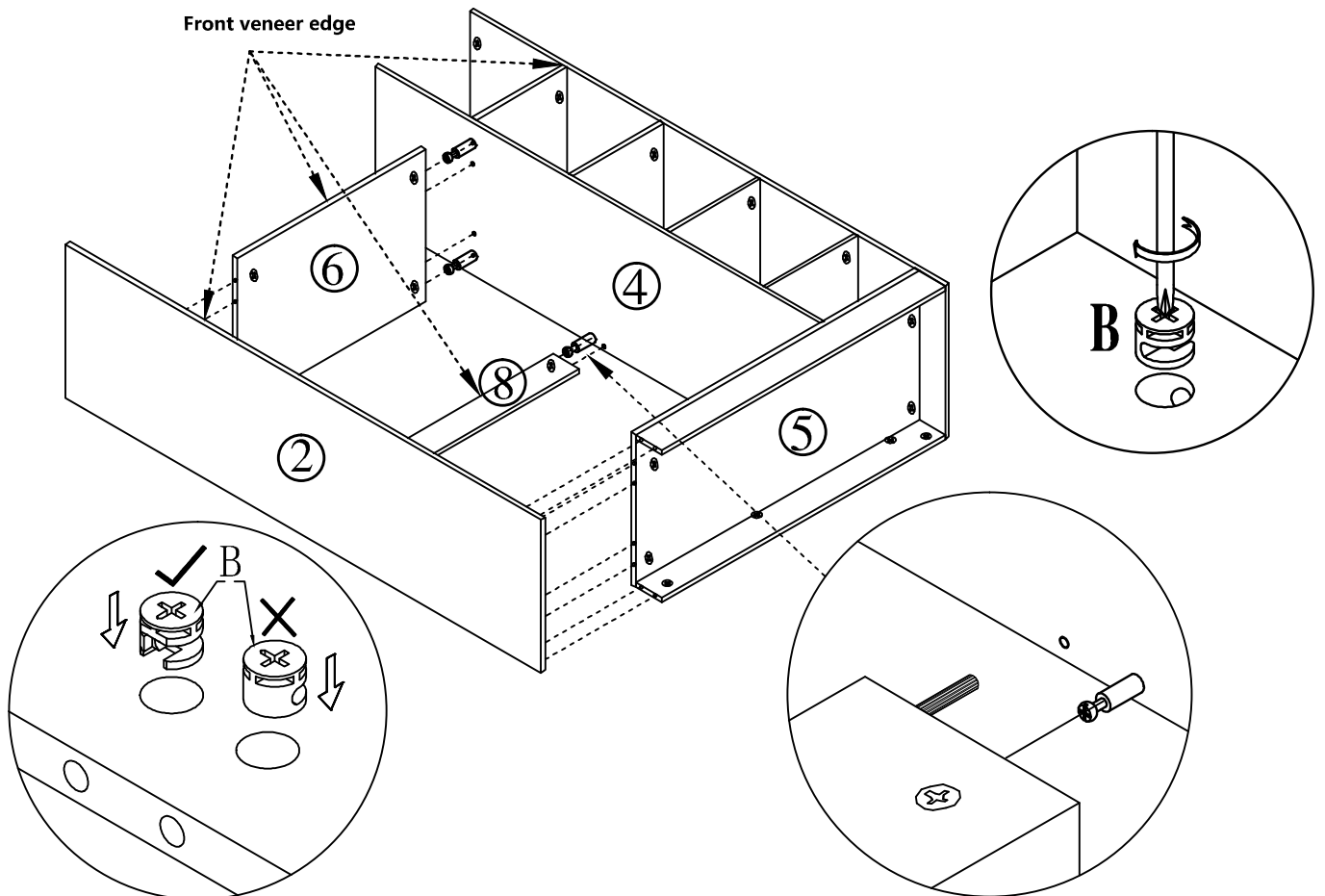
20 PCS





STEP 8

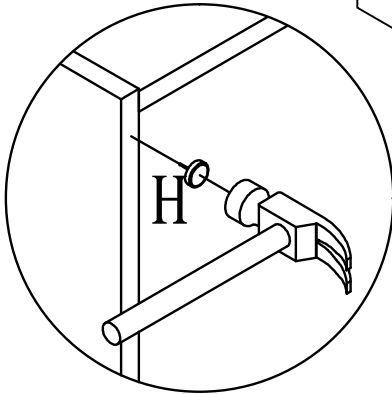
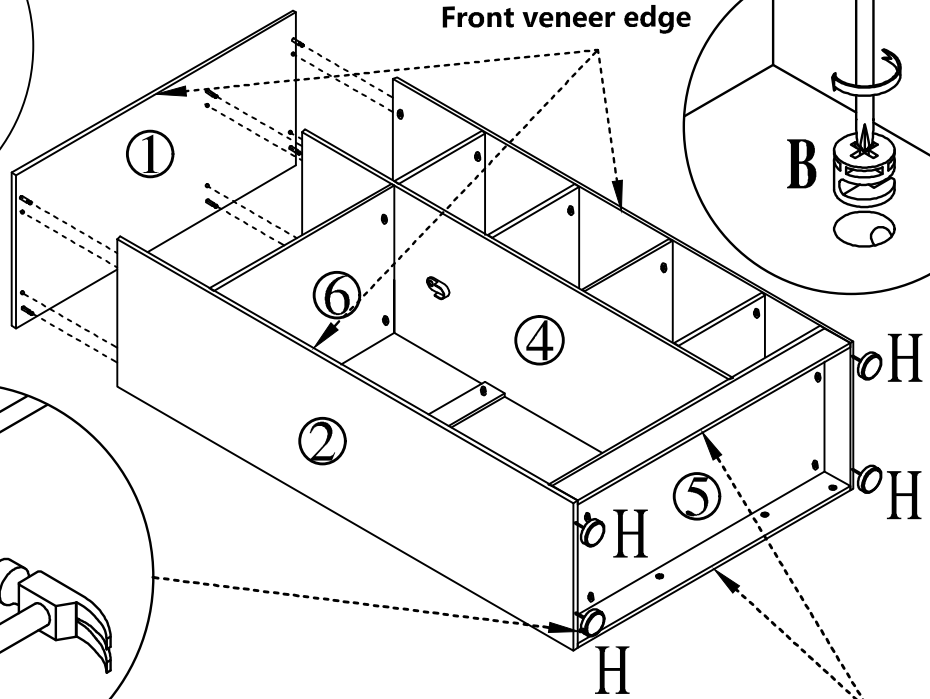
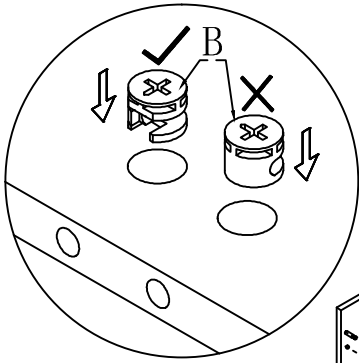
B 

10 PCS



STEP 9

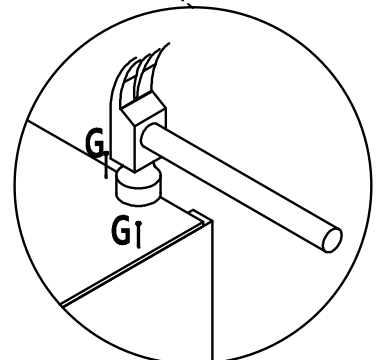
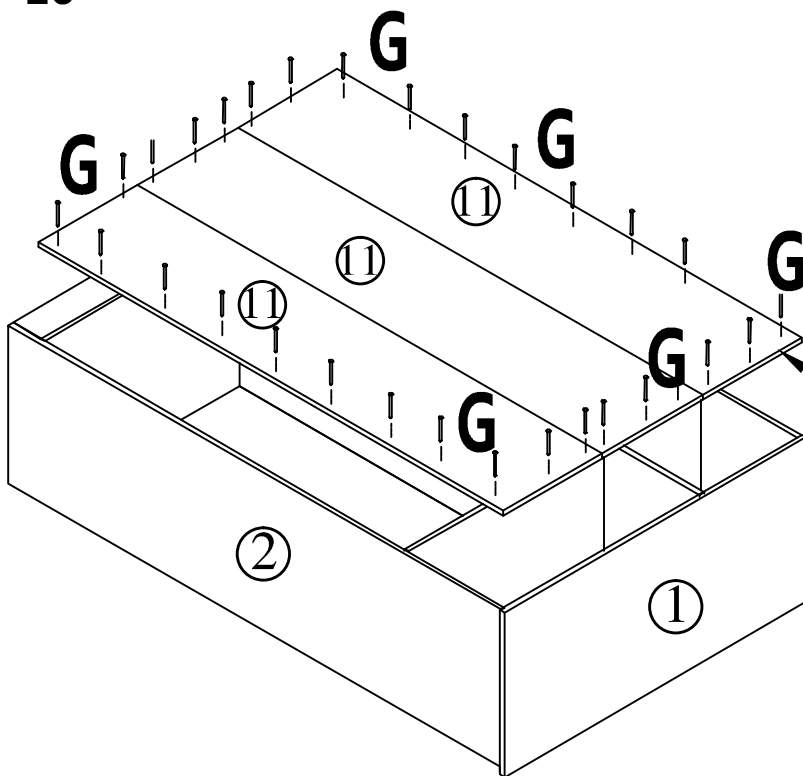
B		6 PCS
H		4 PCS





Bottom veneer edge

STEP 10

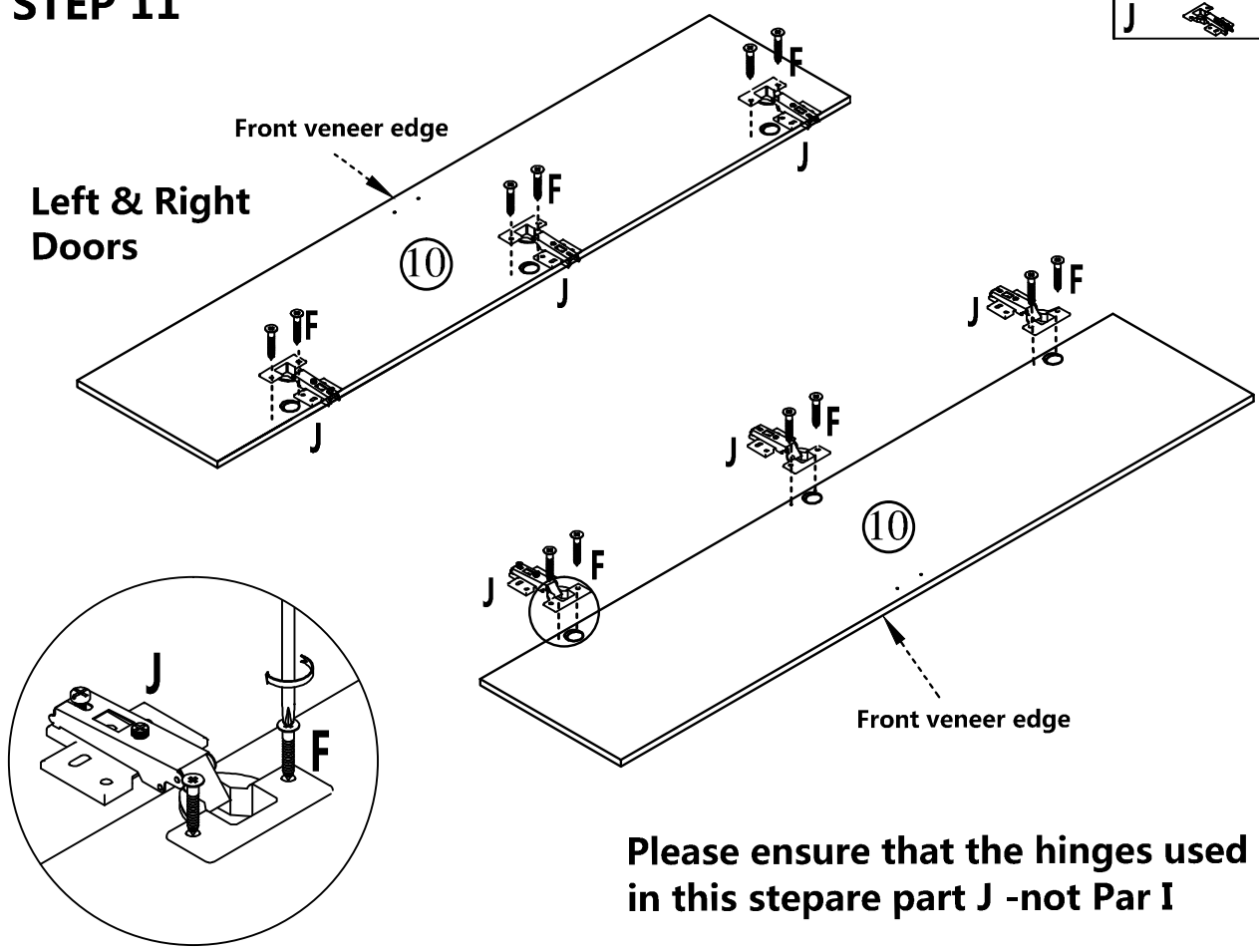
G		30 PCS
---	---	--------



STEP 11

F		12 PCS
J		6 PCS

Left & Right Doors

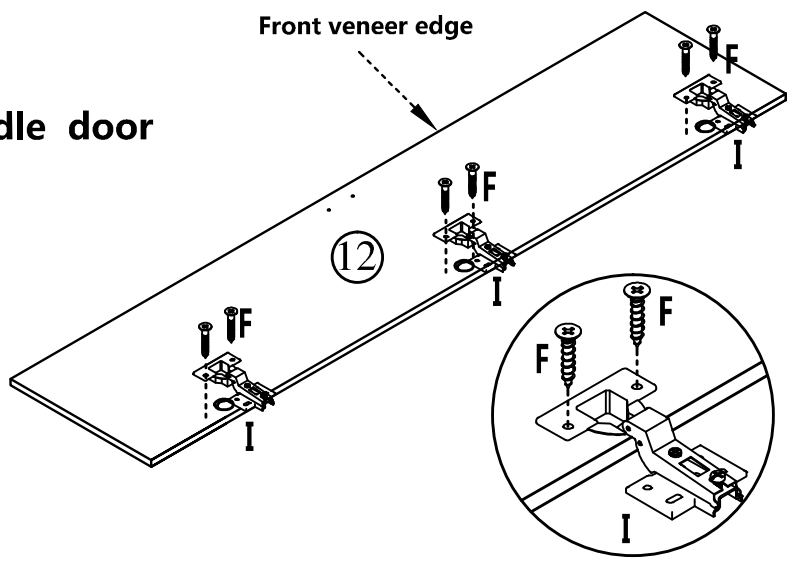


Please ensure that the hinges used in this step are part J -not Par I

STEP 12




F		6PCS
I		3 PCS

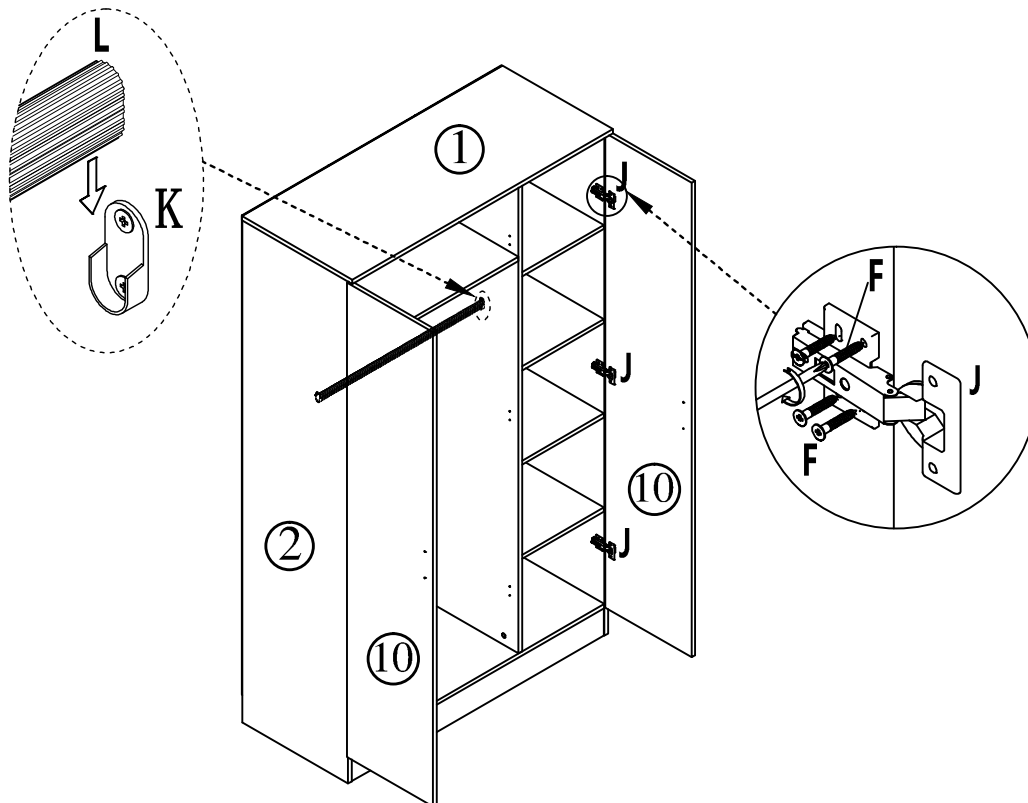
Middle door







Please ensure that the hinges used in this step are part I -not Par J

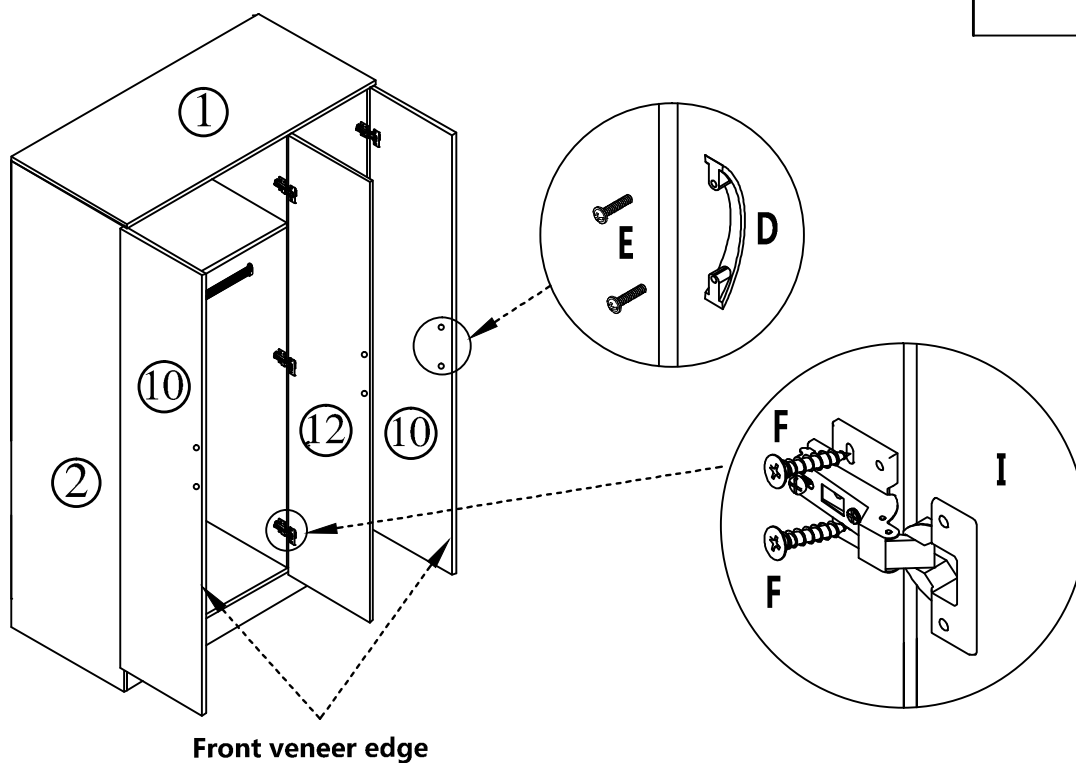
STEP 13

F		24 PCS
J		6 PCS
L		1 PC



STEP 14

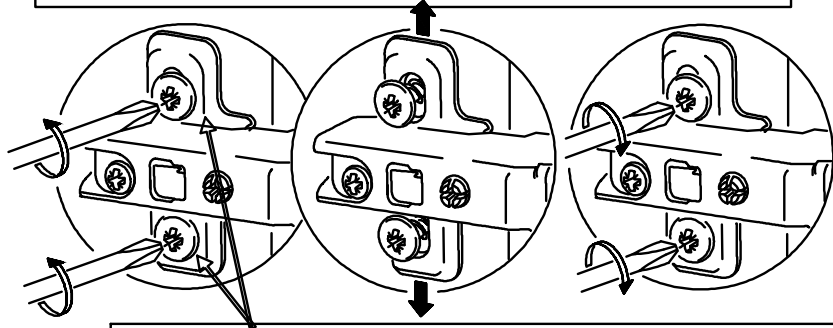
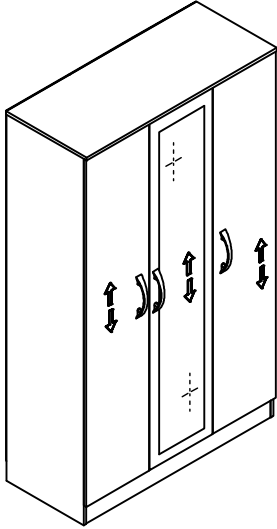
F		12 PCS
E		6 PCS
D		3 PCS
I		3 PCS





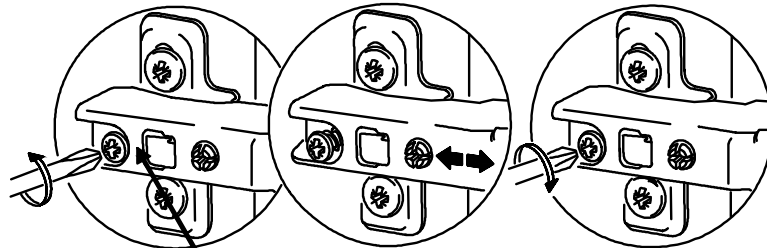
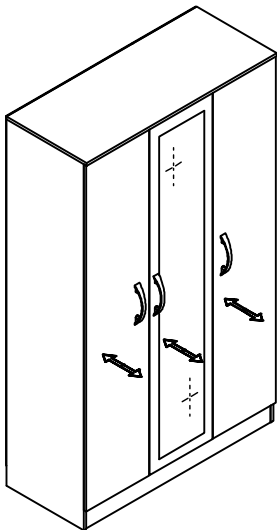
Customer Attention:

To Align Doors & Control Gap In Between Doors. Product doors may need adjusting during & after assembly or once wardrobe contains clothing. This can be done by adjusting appropriate screws. See below illustration.



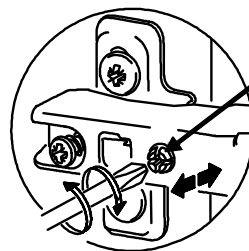
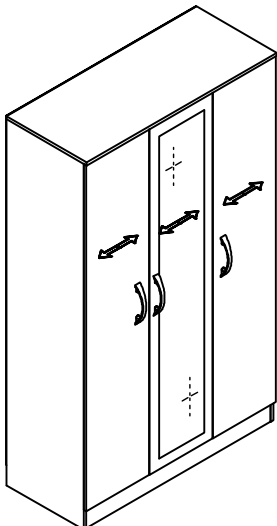
Vertical Door Adjustment:

Loosening both screws on all hinges and lift the door to desired height. This allows an even space at the top and bottom between door and wardrobe frame.



Lateral Door Adjustment:

If door is hinge bound, (rubbing on frame as you close or open door) loosening screw shown and move the door in appropriate direction. (In or out)



Horizontal Door Adjustment:

Rotate Screw clock wise or anti clockwise. This will produce an even gap between doors and frame.