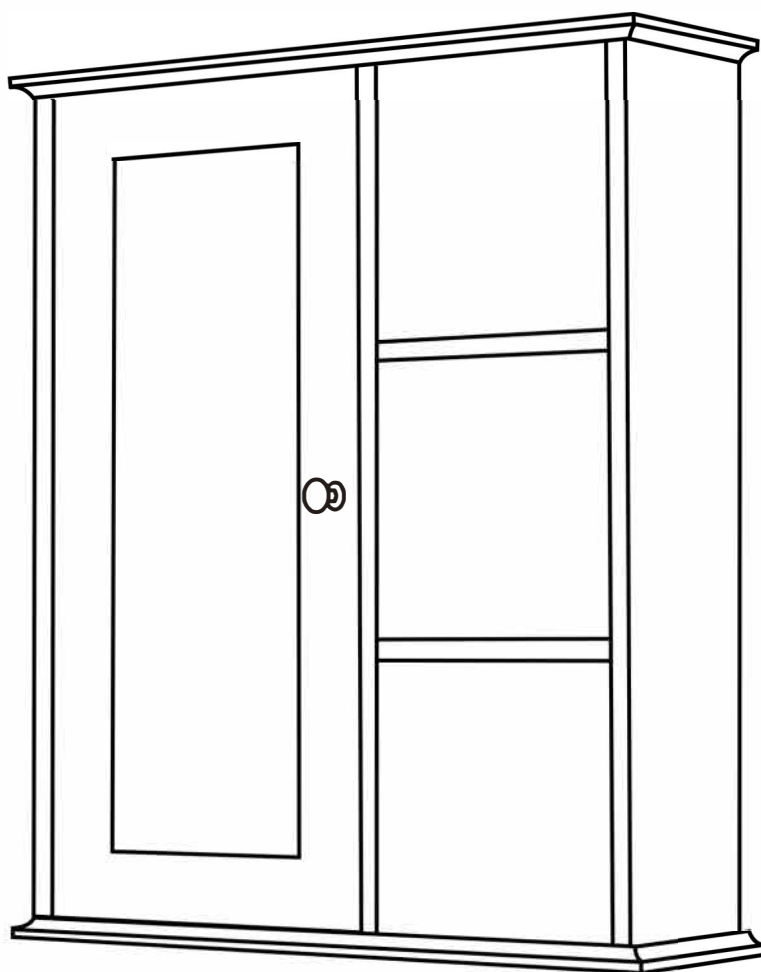
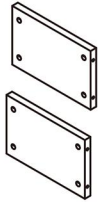


INSTALLATION GUIDE

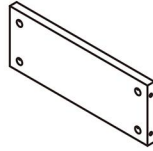


Packing Lists

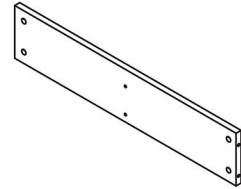
Be sure to check all packing materials carefully for small parts that may have come loose inside the carton during shipment. If parts are missing, contact us to obtain any missing parts.



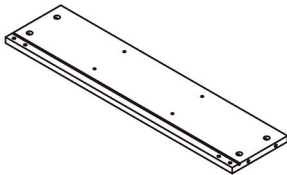
1 Short Fixed Shelf *2



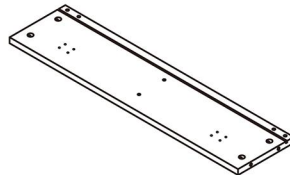
2 Long Fixed Shelf *1



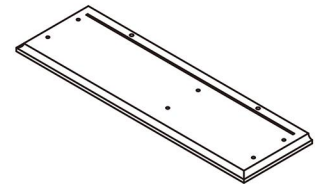
3 Vertical Panel *1



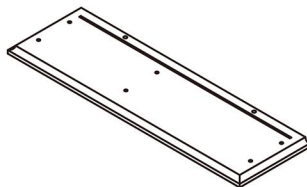
4 Right Side Panel *1



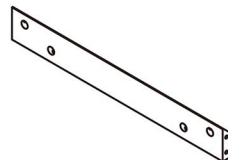
5 Left Side Panel *1



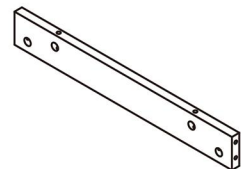
6 Bottom Panel *1



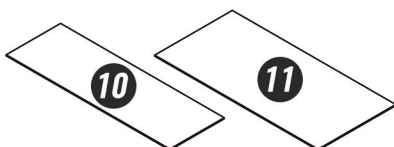
7 Top Panel *1



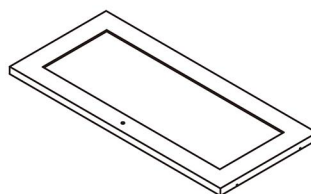
8 Upside Hanging Rail *1



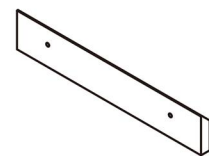
9 Underside Hanging Rail *1



10 **11**
Back Panel *2



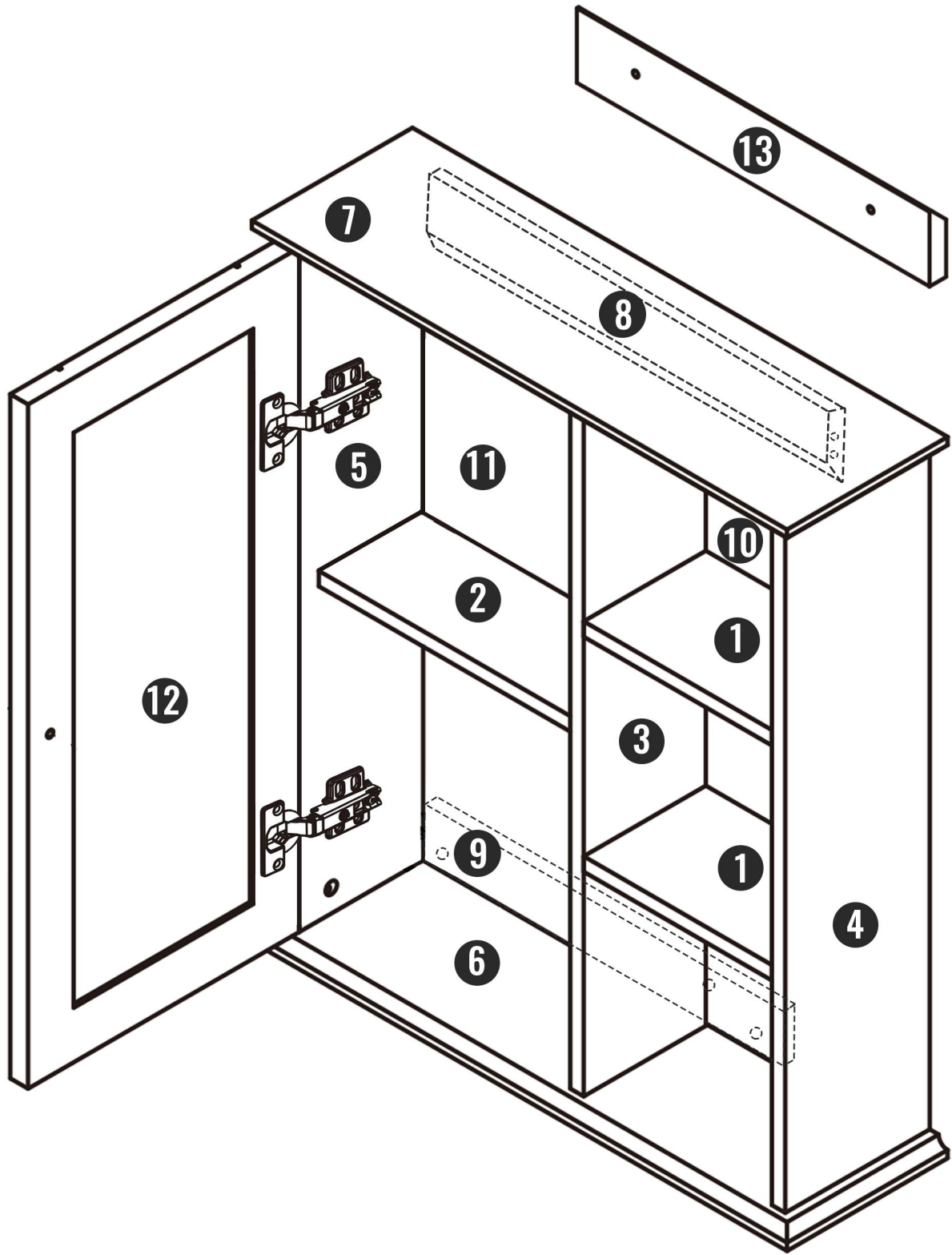
12 Door Panel *1



13 Wall Cleat *1



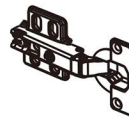
The bottom panel **6** and the top panel **7** are close in appearance, but the positioning of the screw holes is different. Please pay attention to the distinction and do not install the opposite.



Accessories



a Two in one screw * 32



f Door hinge * 2



b Eccentric gear * 32



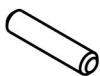
g Handle * 1



d Tapping screw * 12

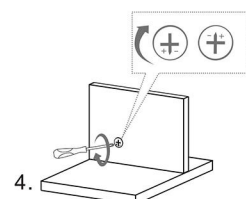
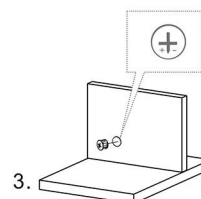
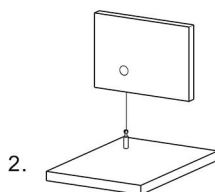
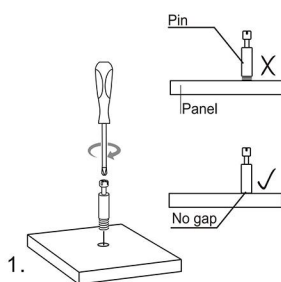
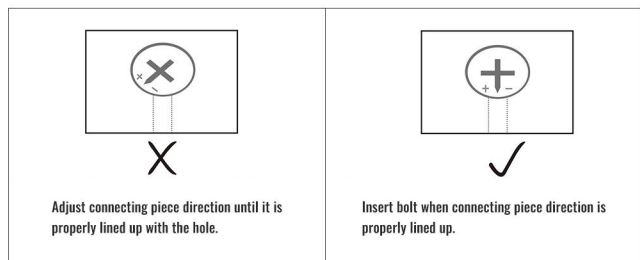
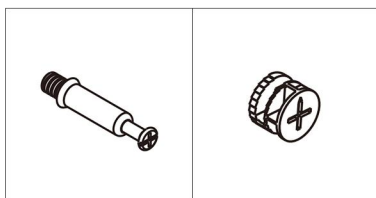
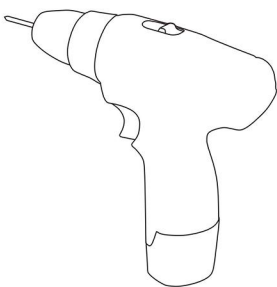


h Expansion screw * 2



e Wooden pole * 4

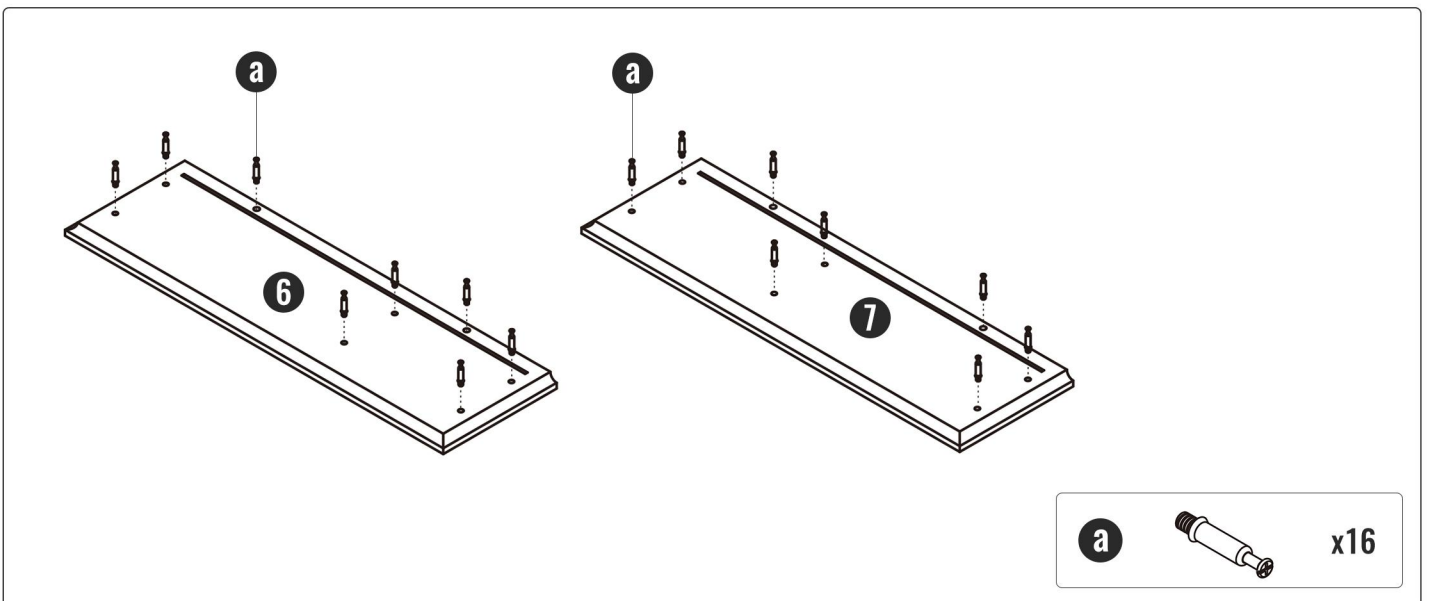
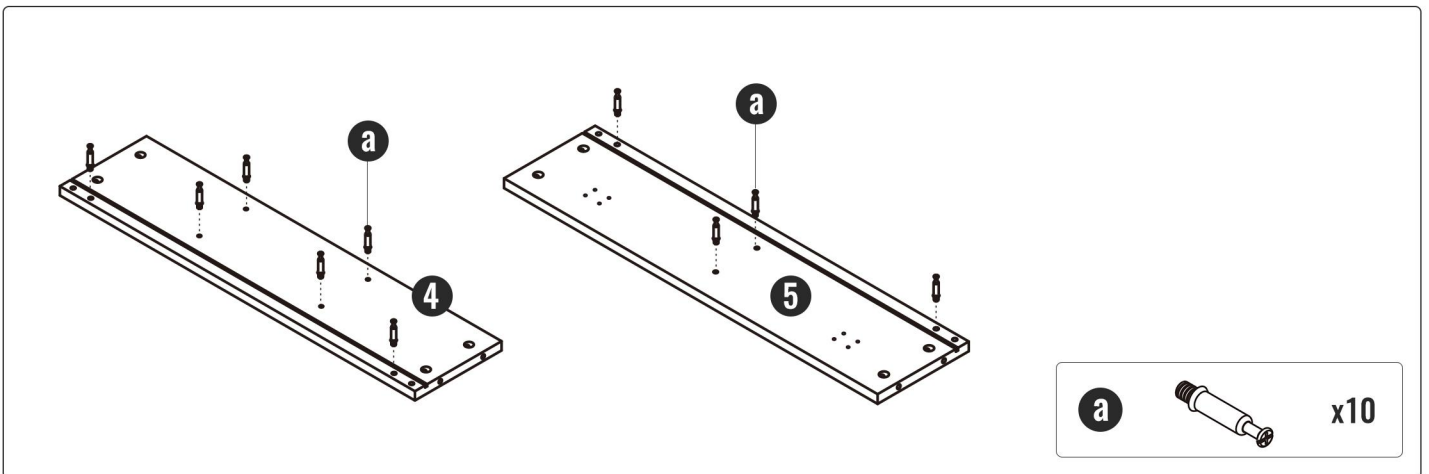
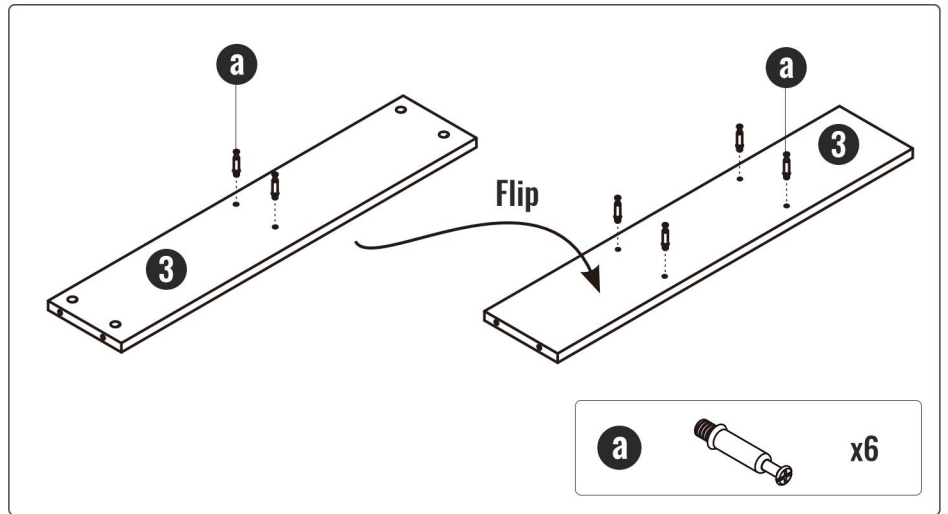
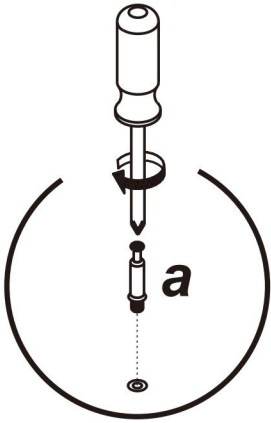
Tools Required



Installation Instructions

1

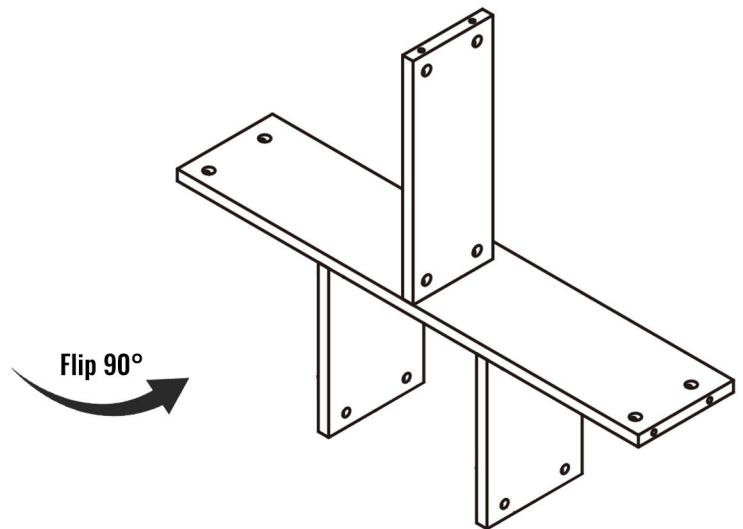
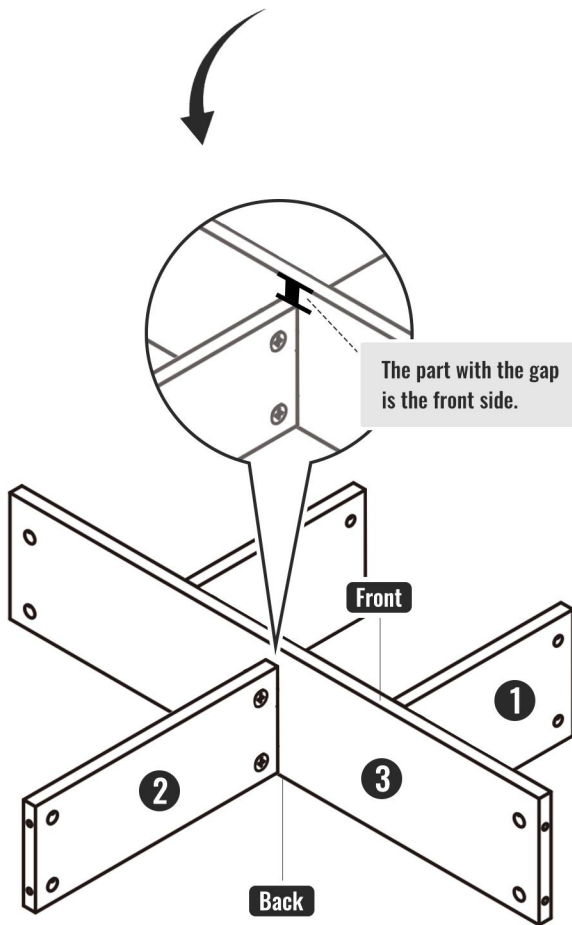
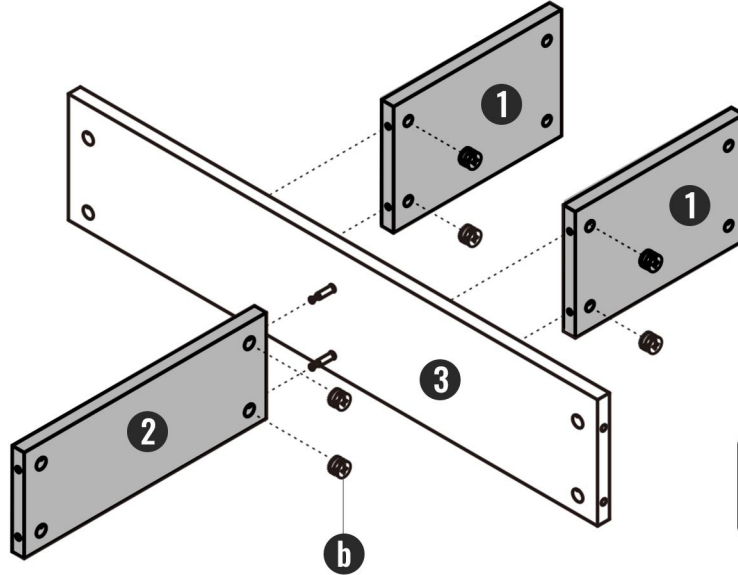
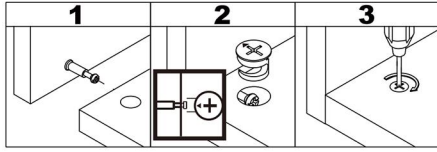
Install the Two in one screw, Wooden pole and Eccentric gear on Workpiece ③ to ⑦.



Installation Instructions

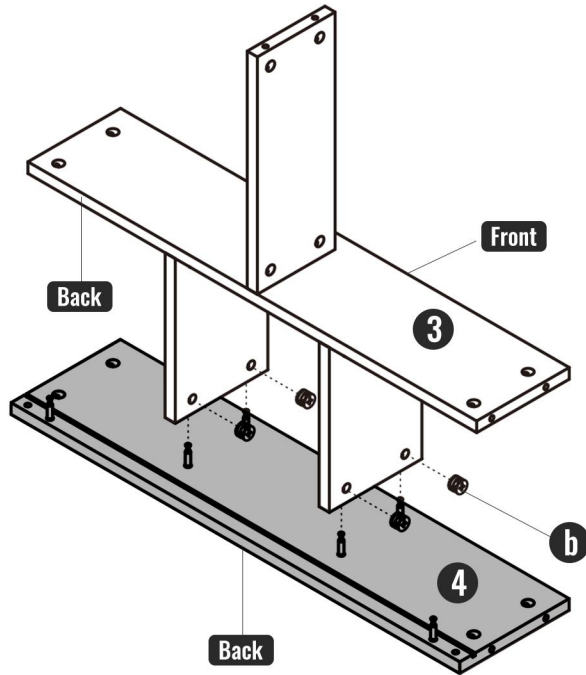
2

Connect ② to ③, ① to ③.



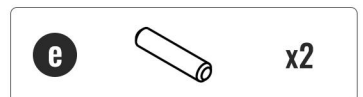
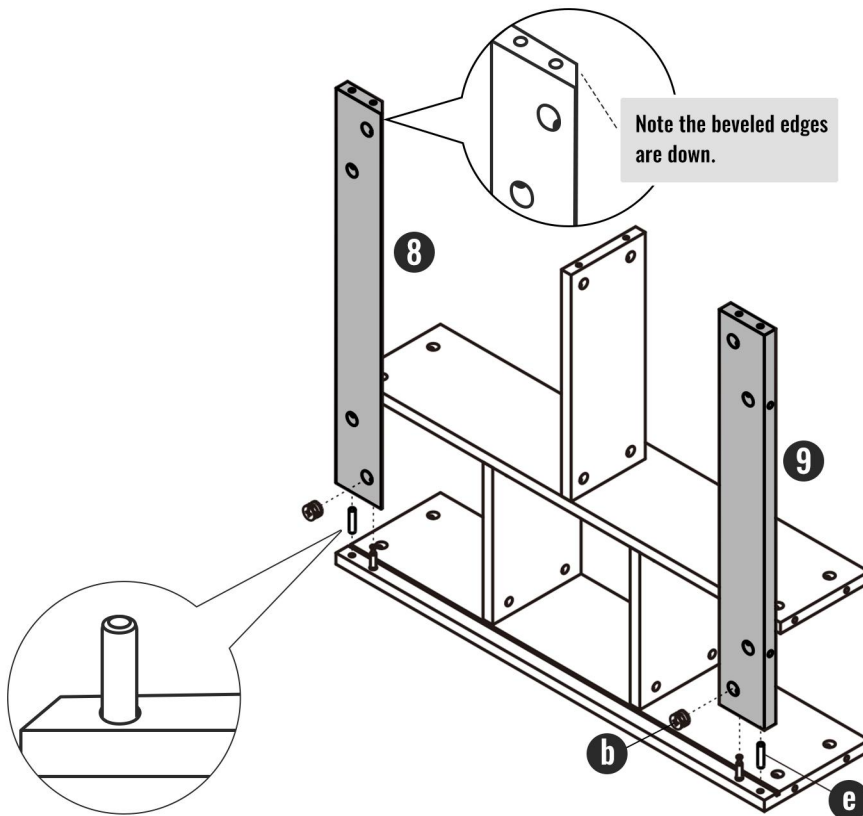
Installation Instructions

3 Install ④ to ①②③ Consolidated components.



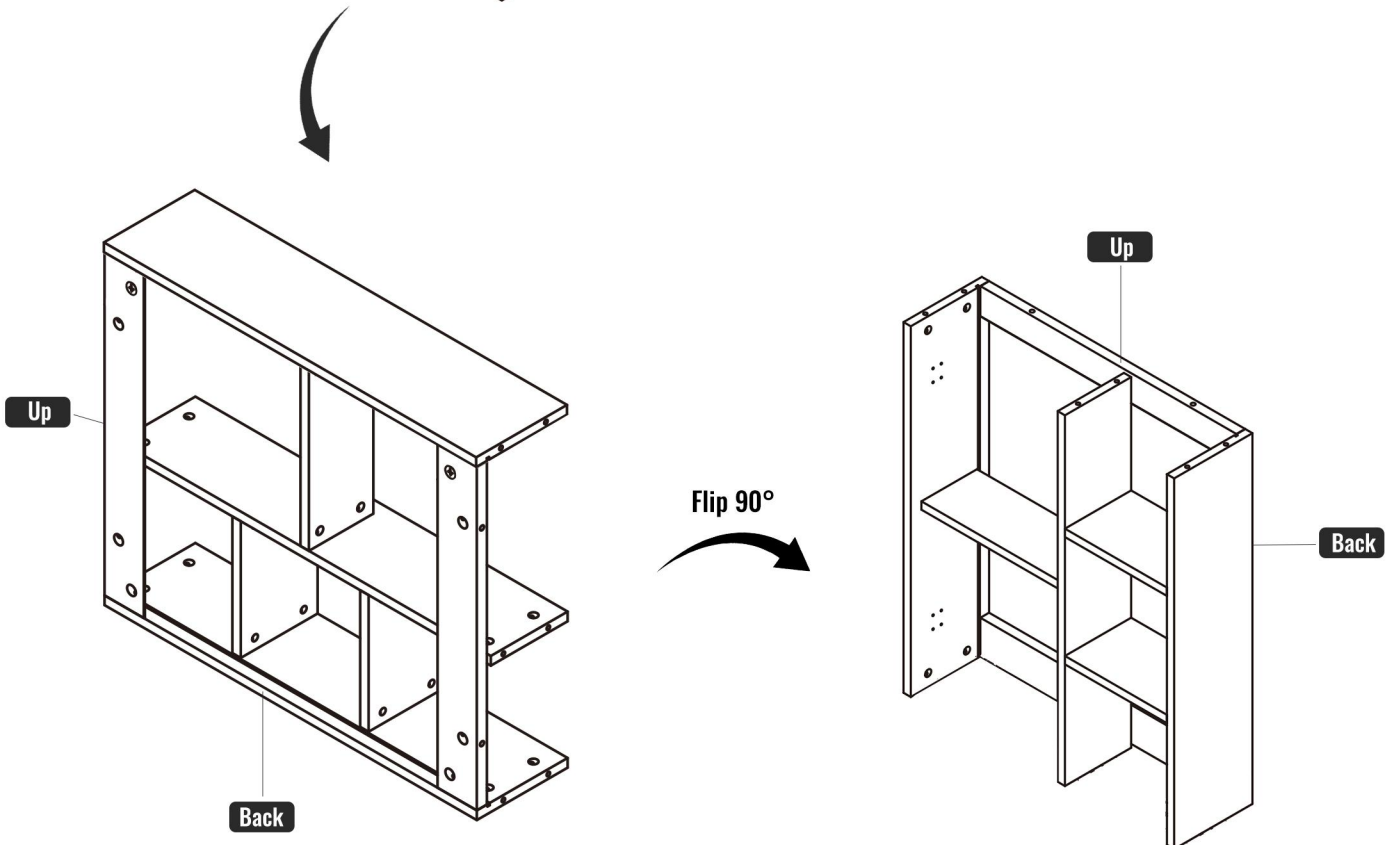
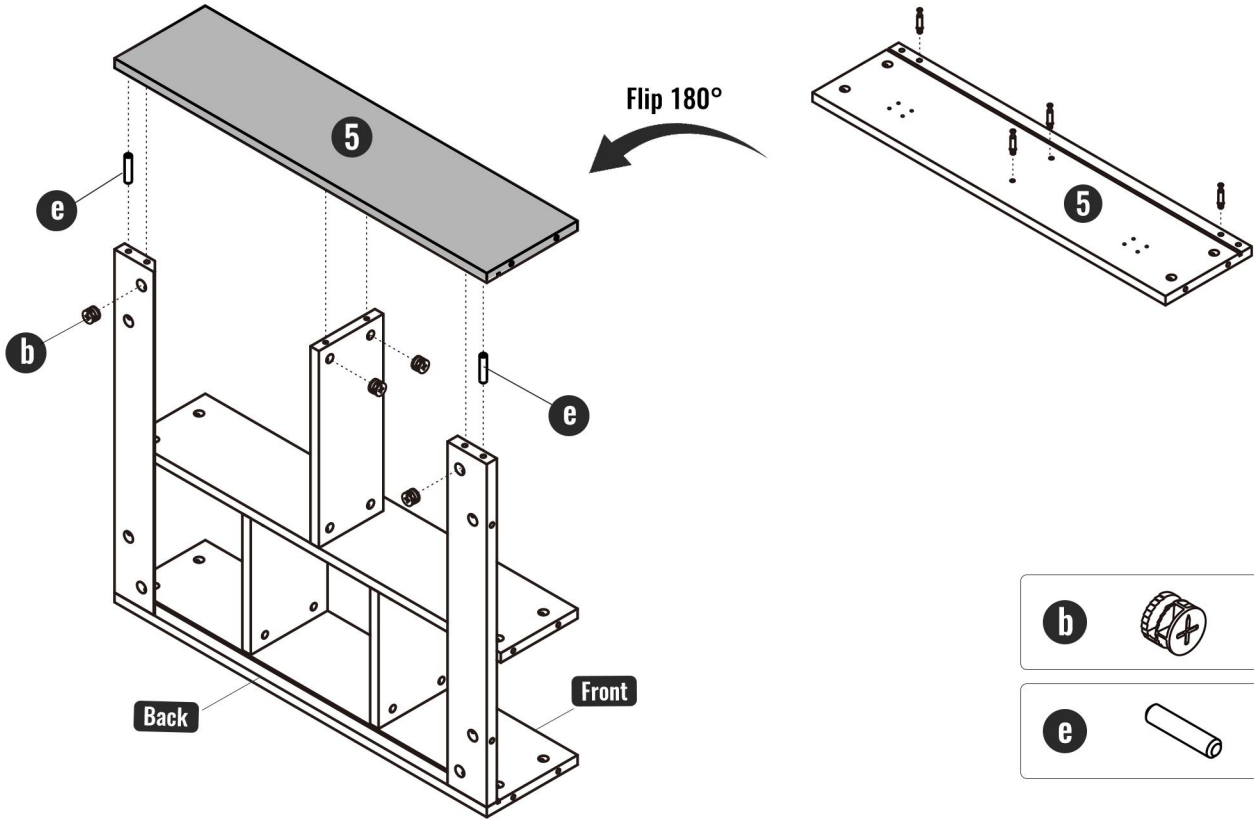
 The grooved side is the back side of ④, which must be oriented in the same direction as part of the ①②③ component.

4 Install ⑧ and ⑨ on ④.



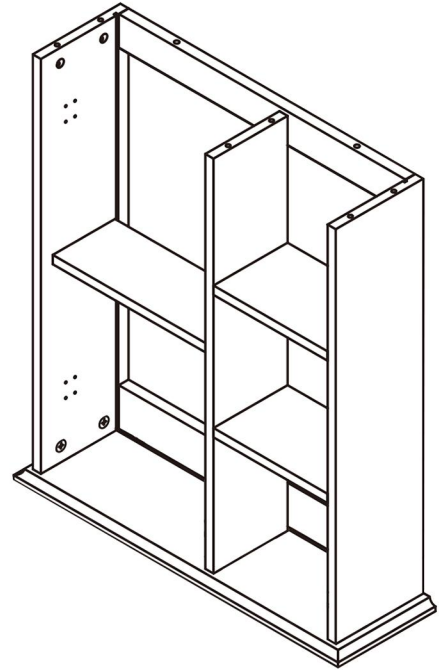
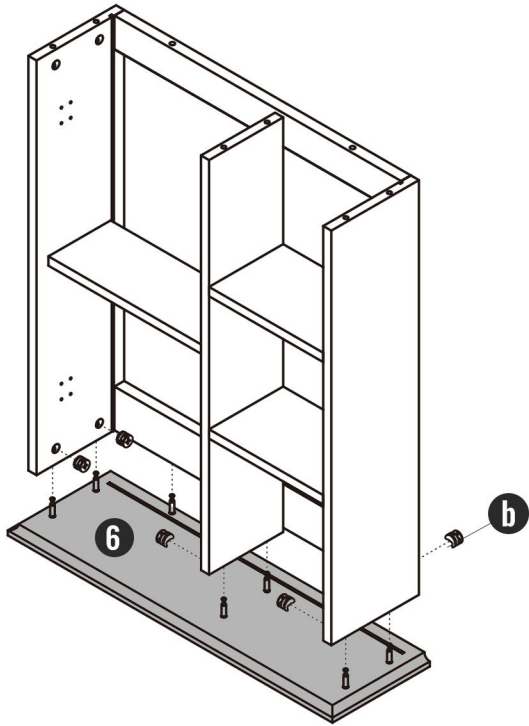
Installation Instructions

5 Install the side panel ⑤, and rotate 90 degrees.

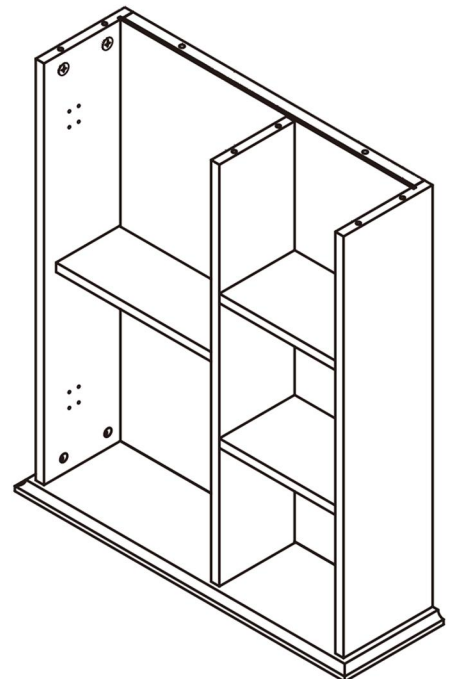
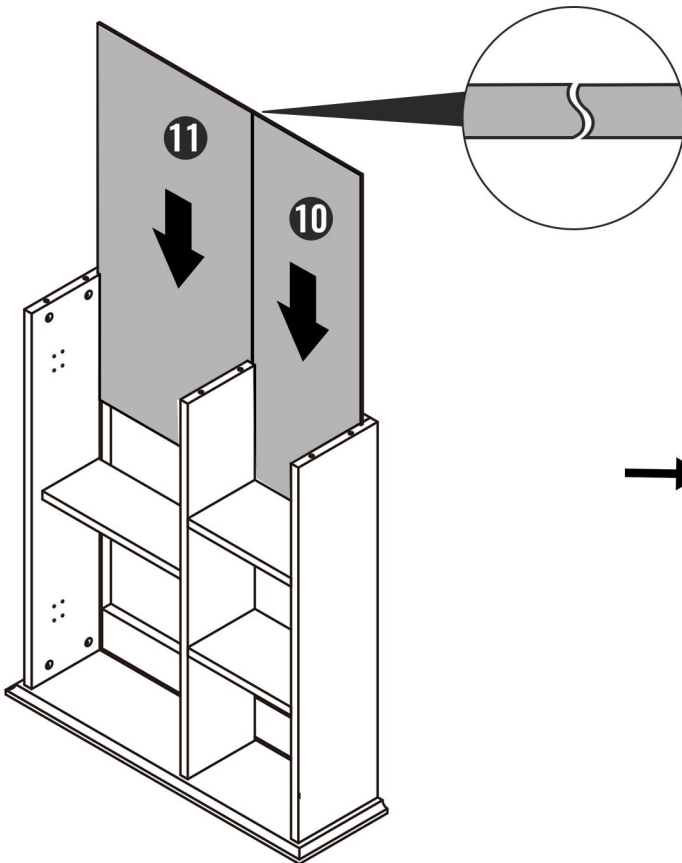


Installation Instructions

6 Install the Bottom Panel ⑥.

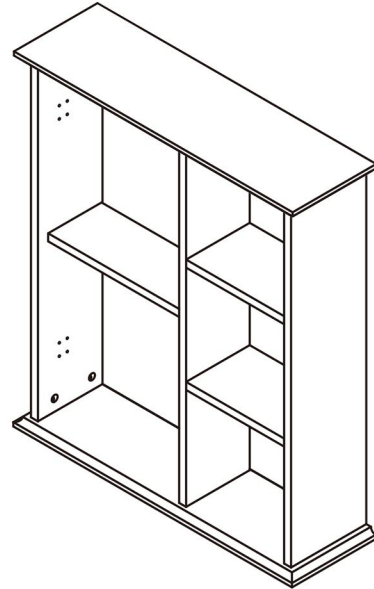
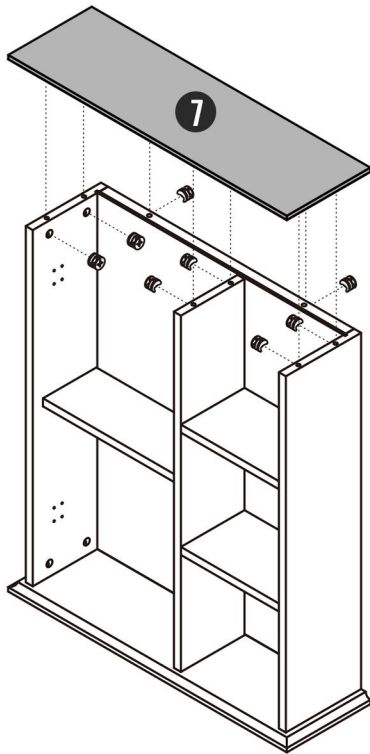


7 Insert back panel ⑩ and ⑪.



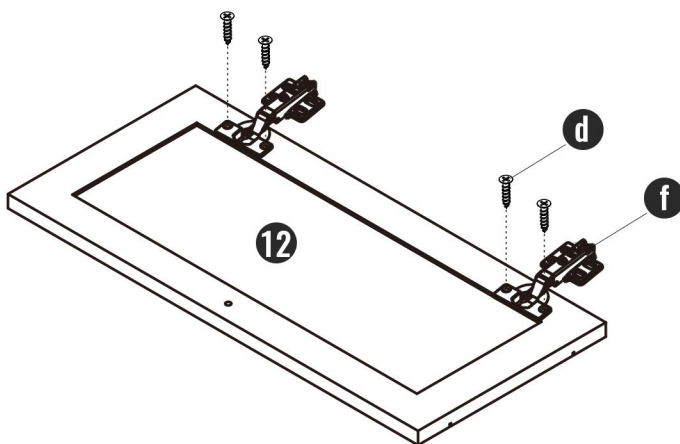
Installation Instructions

8 Install the Top panel ⑦ .



b  x8

9 Install the door hinge.



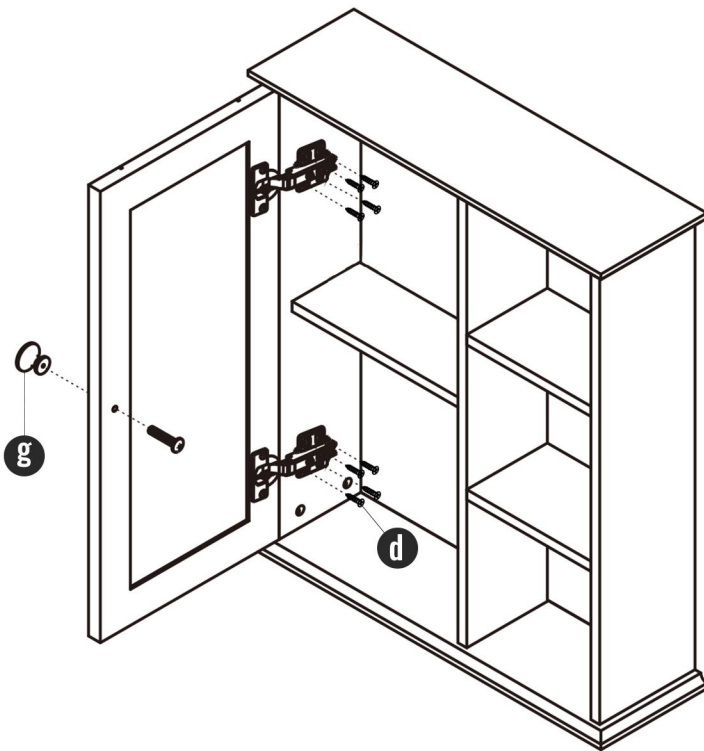
d  x4



f  x2

Installation Instructions

10

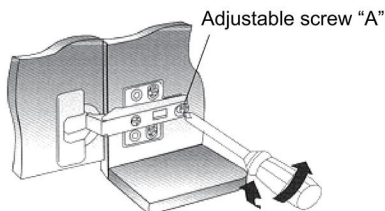
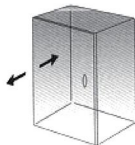
Install the door hinge and the handle.



b		x8
g		x1

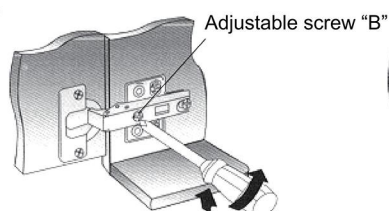
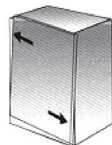
【 Sketch Map For Adjusting Cabinet Door In Three Dimensions 】

Inside / Outside



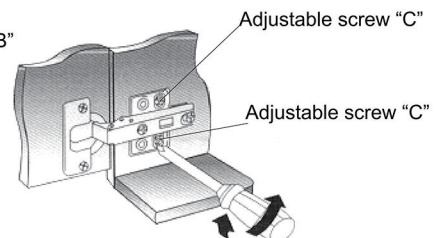
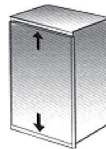
Front and rear adjustment in three dimensions. The clearance between door board and cabinet side board can be changed only by adjusting screw "A"

Left / Right



Adjustable screw "B"
Left and right adjustment in three dimensions

Up / Down

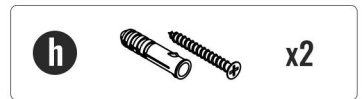
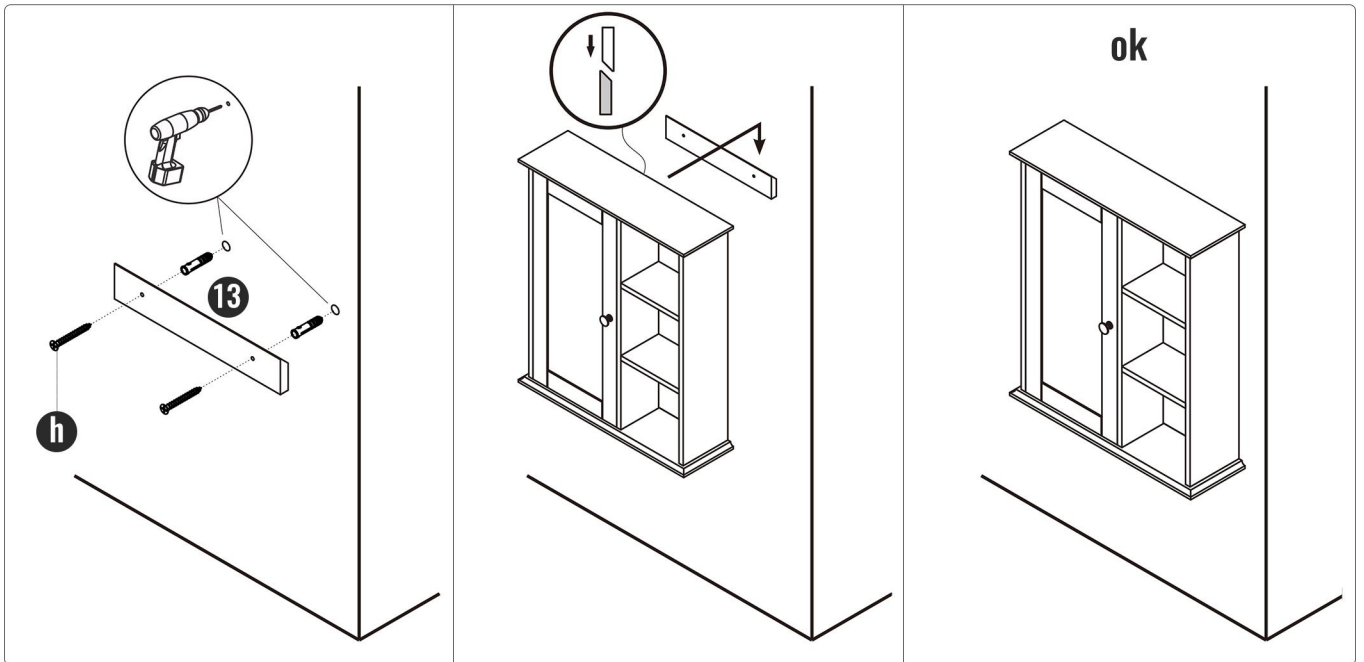


Vertical adjustment in three dimensions
Verticality and clearance between top and bottom can be corrected by adjusting screw "C" on hinge base board.

Installation Instructions

11

Determine the desired mounting location, Fix the Wall Cleat on the wall and install the cabinet.



Care and Maintenance

- Cleaning with a dry cloth may be sufficient.
- For other stains or marks, wipe gently with a damp cloth.
- Do not use strong detergents or abrasive cleaners; they may damage the surface of the cabinet.
- As the product is sealed during transportation, please open the cabinet for several days after receiving the goods to ventilate the smell.