

# Pavona

## S9115



### DESCRIPTION

Cascading with gleaming brilliance and glistening gemstones, Pavona showcases a central waterfall of ethereal perfection. Its frame is beautifully adorned with multifaceted Radiance™ Crystal drops and delicately handcrafted, feather-like metallic accents to complete its mystical composition.

### FEATURES

- Built in color temperature adjustability. Switch from 3000K/3500K/4000K/5000K. Switch may be installed in junction box.
- Hand formed metallic trim pieces are accented by Radiance crystal octagons.
- Driver concealed within the fixture

### CRYSTAL OPTIONS



Radiance  
Crystal  
(R)

### FINISH OPTIONS



Heirloom  
Gold  
(-22)

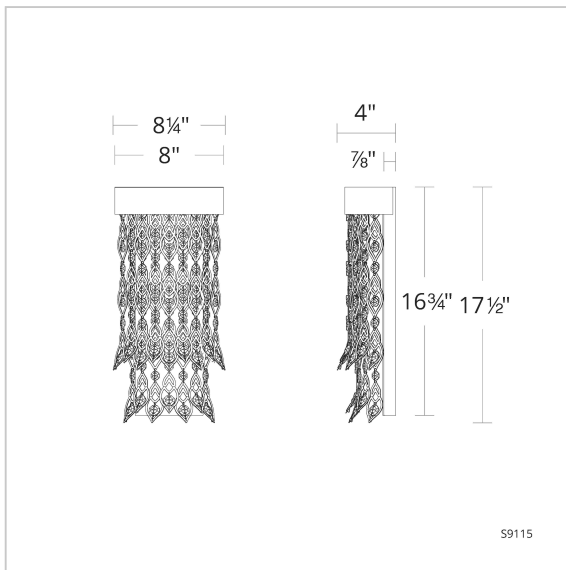


Antique Silver  
(-48)



Tourmaline  
(-82)

### LINE DRAWING



### SPECIFICATIONS

**Light Source Standards** LED  
ETL/cETL, Title 24

Model	Finish	Crystal	Size	CCT	Weight	Voltage	Wattage	LED Lumens	Delivered Lumens
S9115	- 22 - 48 - 82	R	18"	3000K/3500K/ 4000K/5000K	9lbs	120/277V	20W	1221	Up To 804

Example: S9115-22R