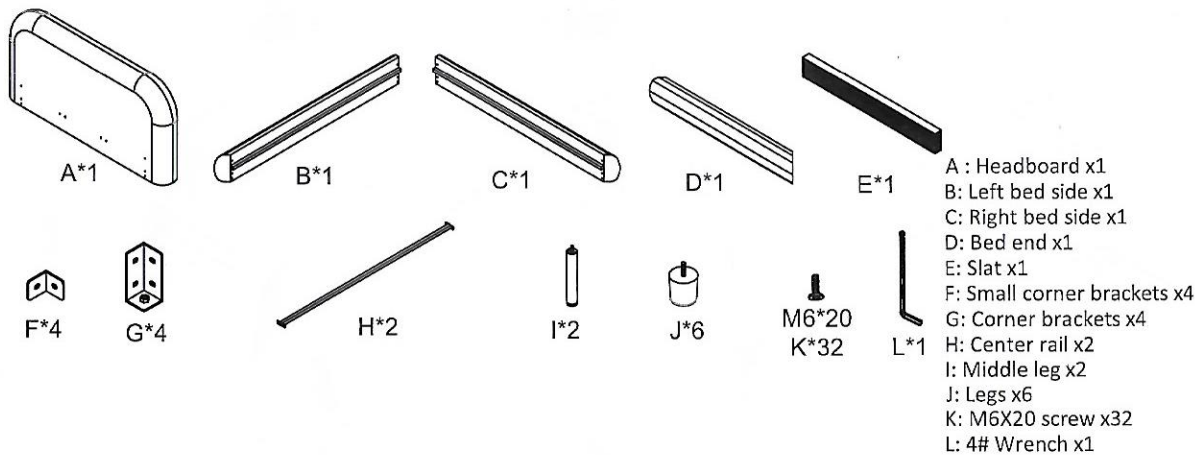


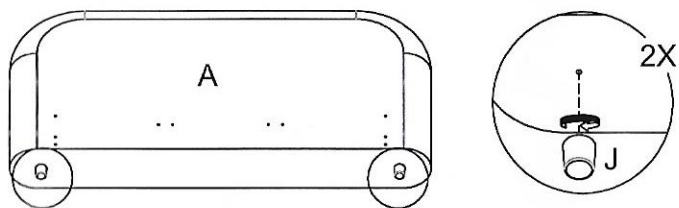
Accessory Information:

- 1) Please check the accessories when receiving the product;
- 2) Make sure the accessories are complete before assembly;
- 3) Please contact with the store for any accessory missing and after-sales service.

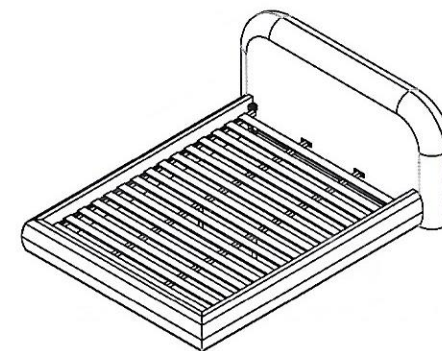


Product Assembly Instruction

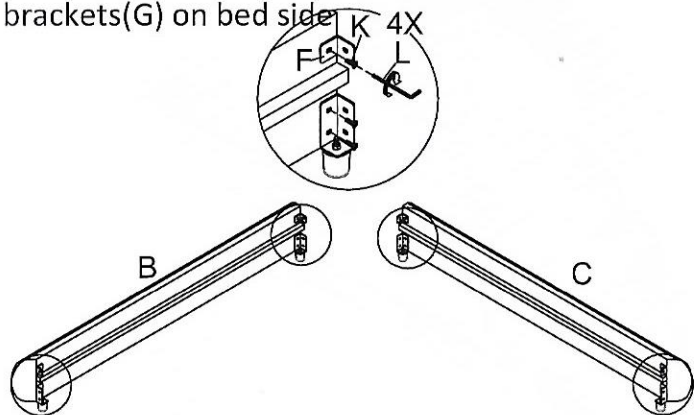
Step 1: Install the headboard(A) and leg(J)



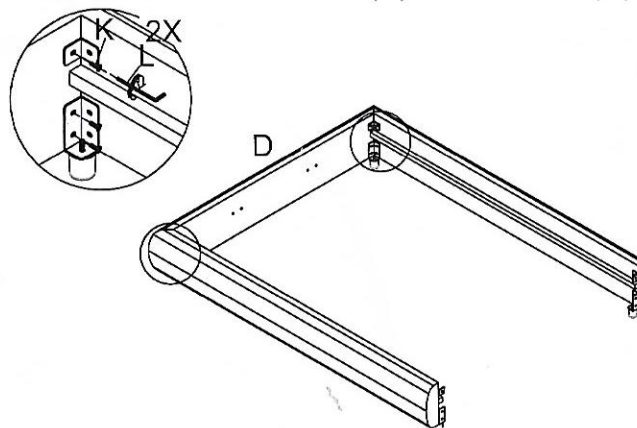
Step 2: Install corner brackets(G) and leg(J)



Step 3: Install small corner brackets(F) and corner brackets(G) on bed side



Step 4: Connect the headboard(A) and bed end(D)



Product Name: Solana Bed

Product Size: King

Assembly Person Needed: 2 person

1) Please read this instruction carefully before assembly, and assemble strictly according to this instruction.

2) Please keep this instruction well, in case of new use.