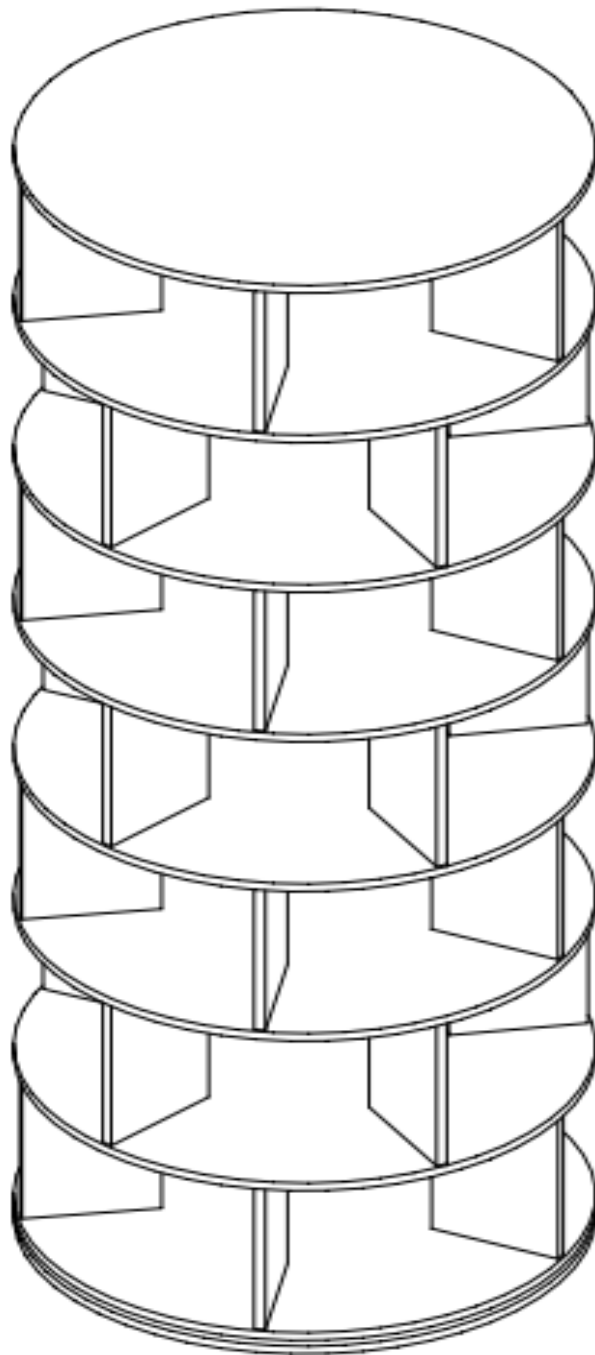


Swivel shoe cabinet

Assembly Instructions - Please keep for future reference



Dimensions

Width-23.62inch

Depth-23.62inch

Height-64.96inch

Important – Please read these instructions fully before starting assembly



Safety and Care Advice

Important – Please read these instructions fully before starting assembly

- Check you have all the components and tools listed on the following pages.
- Remove all fittings from the plastic bags and separate them into their groups.
- Keep children and animals away from the work area, small parts could choke if swallowed.
- Make sure you have enough space to layout the parts before starting.

- During assembly do not stand or put weight on the product, this could cause damage.
- Assemble the item as close to its final position (in the same room) as possible.
- Assemble on a soft level surface to avoid damaging the unit or your floor.
- Parts of the assembly will be easier with 2 people.



- To reduce the likelihood of damaging your product please ensure that your power drill is set on a low torque setting.

Care and maintenance

- Only clean using a damp cloth and mild detergent, do not use bleach or abrasive cleaners.
- From time to time check that there are no loose screws on this unit.
- This product should not be discarded with household waste. Take to your local authority waste disposal centre.

Handy Hints

- Assemble all parts and bolts loosely during assembly, only once the product is complete should you fully tighten the bolts
- Regularly check and ensure That all bolts and fittings are tightened properly.

WARNING
In order to help prevent overturning – please follow these instructions

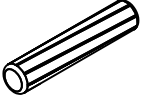
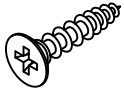
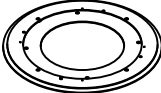

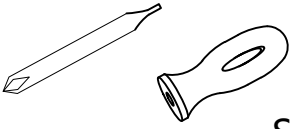
To help prevent product toppling over please follow the below steps:-

- Use the anti tip stap or wall fixing method provided (if applicable)
- Do not allow children to climb or hang on the furniture
- Do not open more than one drawer at a time
- Do not place heavy items in the top drawers
- Do not place heavy items on top of the furniture, unless the furniture has been designed for this purpose

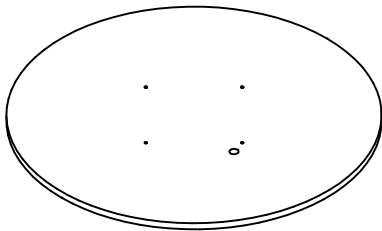
Components - Fittings

Please check you have all the panels listed below

Note: The quantities below are the correct amount to complete the assembly. In some cases more fittings may be supplied than are required.

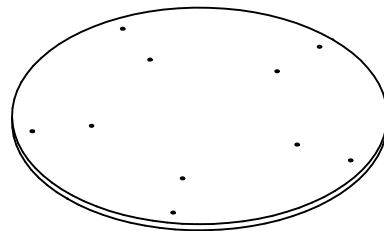
<p>(A) </p> <p>6*30mm Dowel x (140+1)</p>	<p>(B) </p> <p>3.5*14mm Screw x (8+1)</p>	<p>(C) </p> <p>Ø304mm Turntable x 1</p>	<p>(D) </p> <p>20mm Non-slip mat x 4</p>
<p>(E) </p> <p>Screwdriver x 1</p>			

① x 1



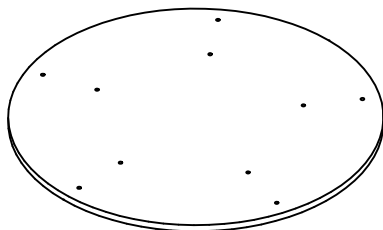
Ø600*12mm Circular wooden board

② x 1



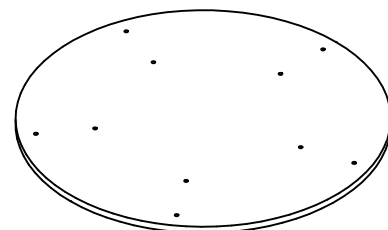
Ø600*12mm Circular wooden board

③ x 6



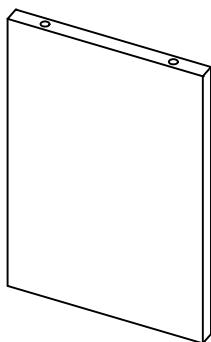
Ø600*12mm Circular wooden board

④ x 1



Ø600*12mm Circular wooden board

⑤ x 35



218×146×12mm Small upright board

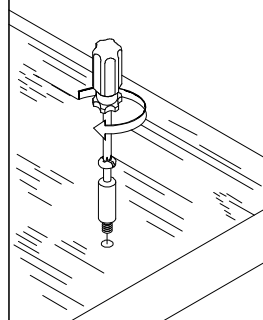
Using Camlocks

Step 1

Connect the male camlock as directed in the assembly instructions using a screwdriver.

1

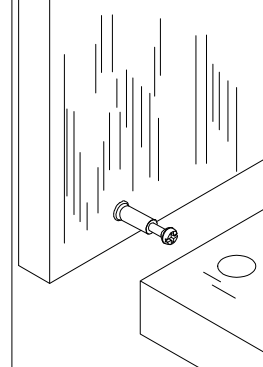
DO NOT OVER TIGHTEN.
NE PAS SERRER EXCESSIVEMENT.



Step 2

Push the male camlock into the entry hole.

2

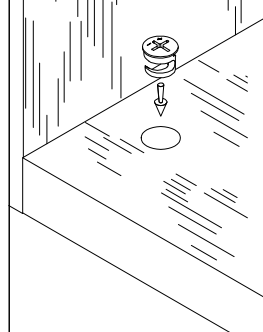


Step 3

Insert the female camlock as shown in the instruction.

Note: Ensure that the arrow on the top of the camlock points towards the entry hole for the male camlock.

3



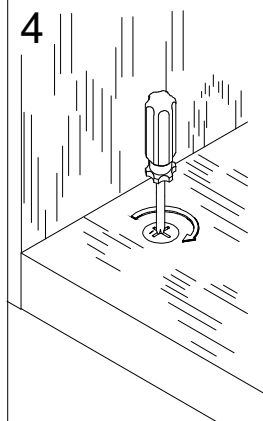
Step 4

Turn the female camlock clockwise with a screwdriver.

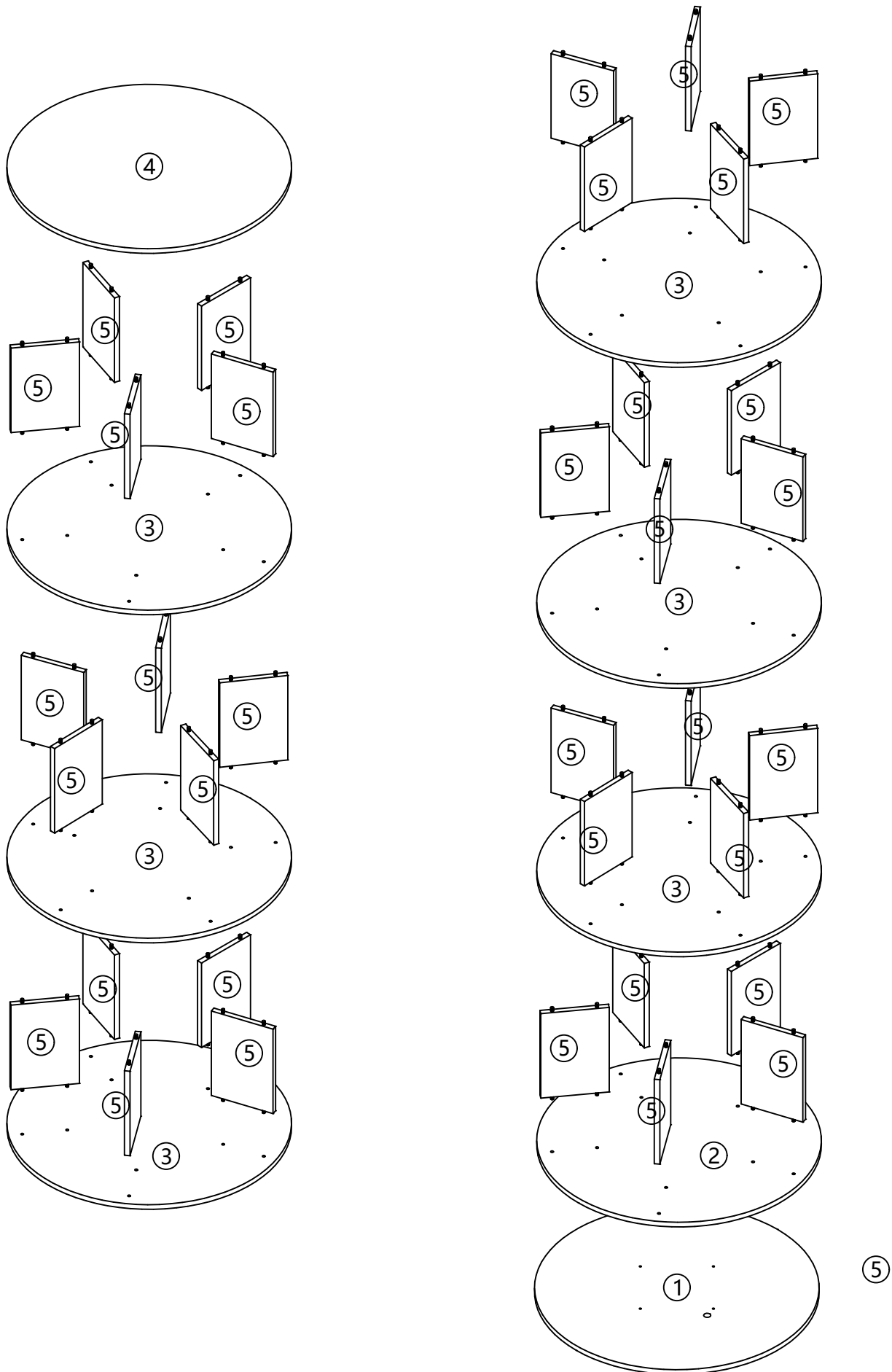
You should feel a click when the camlock is locked in place.

The joint is now secure.

4

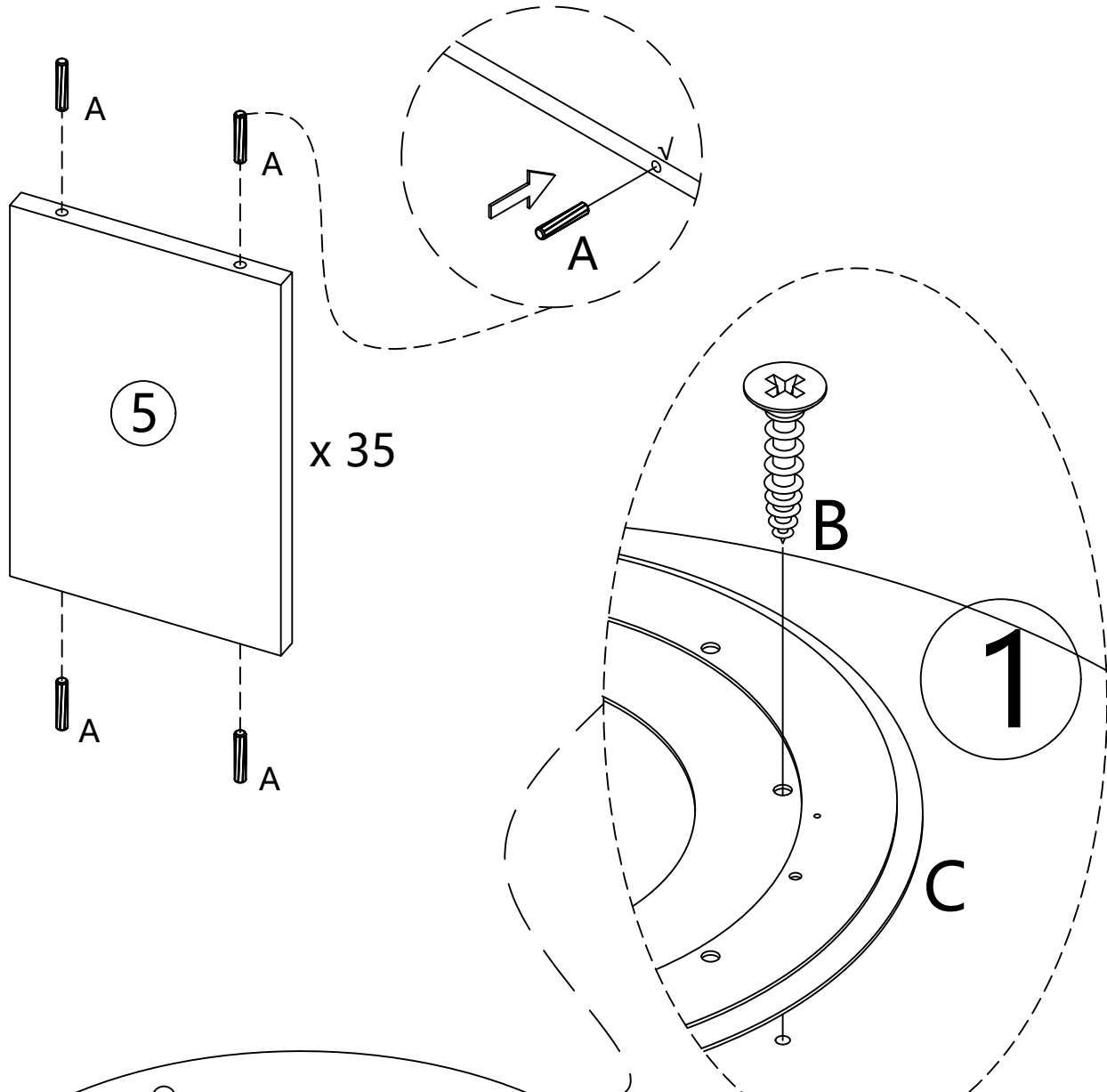


Assembly Instructions

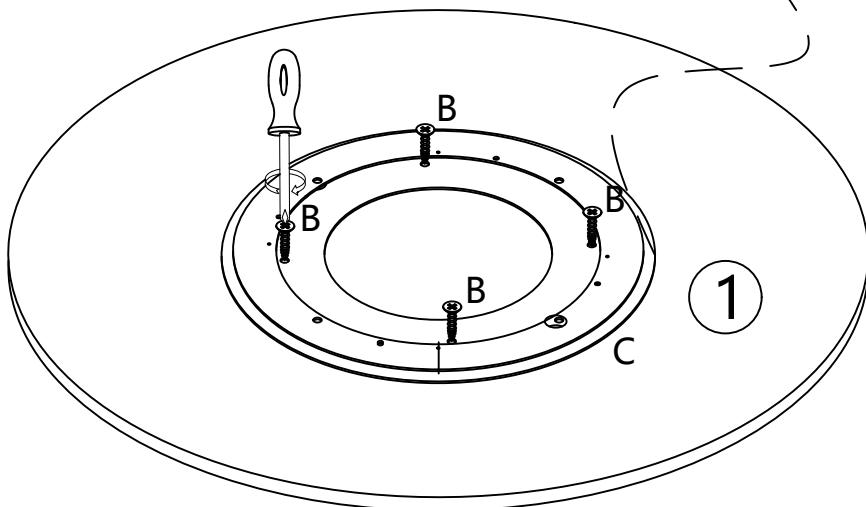


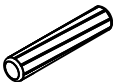

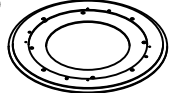
Assembly Instructions

Step 1



Use hardware B for turntable C and board 1 assemble, the hole position is shown in the figure



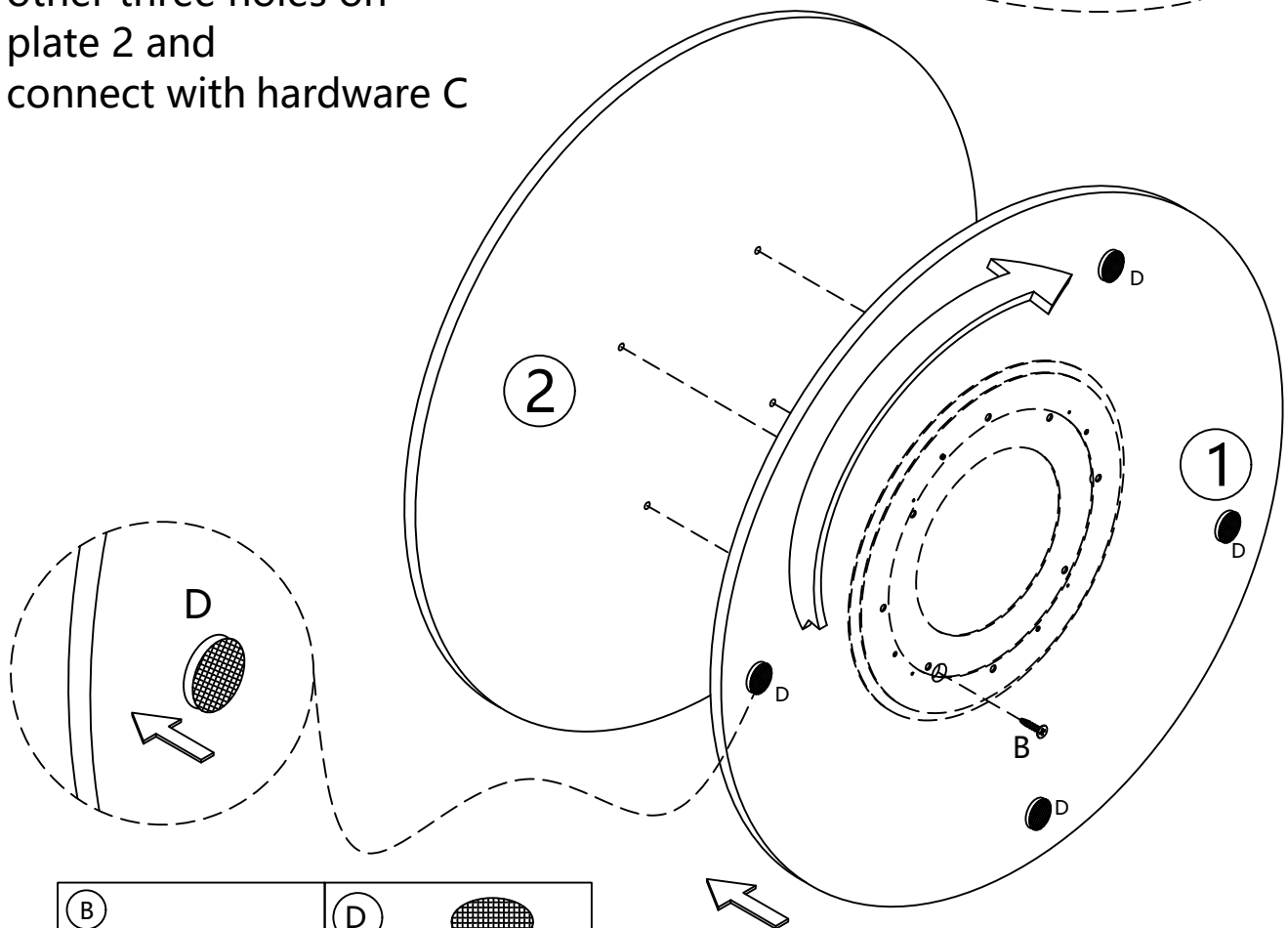
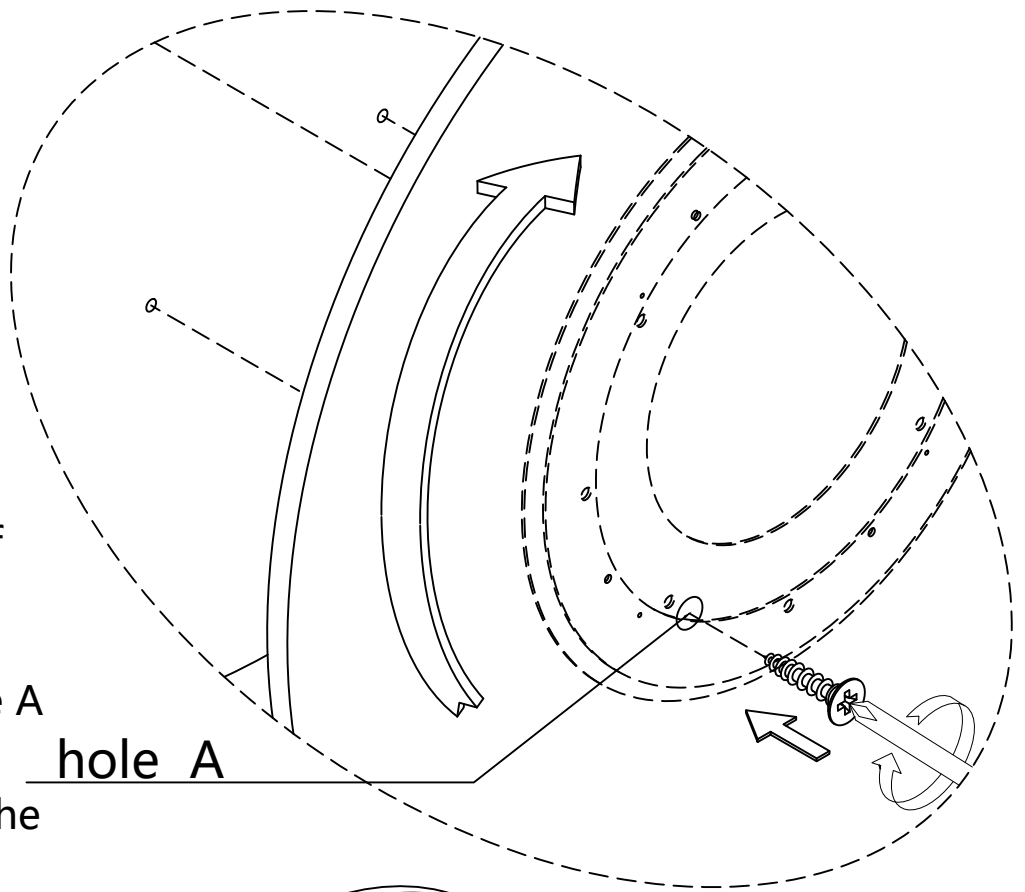
<p>(A)</p>  <p>6*30mm Dowel x 140</p>	<p>(B)</p>  <p>3.5*14mm Screw x 4</p>	<p>(C)</p>  <p>Turntable x 1</p>
--	--	---



Assembly Instructions

Step 2

1. First, use a piece of hardware C to connect the 1 plates 2 through hole A

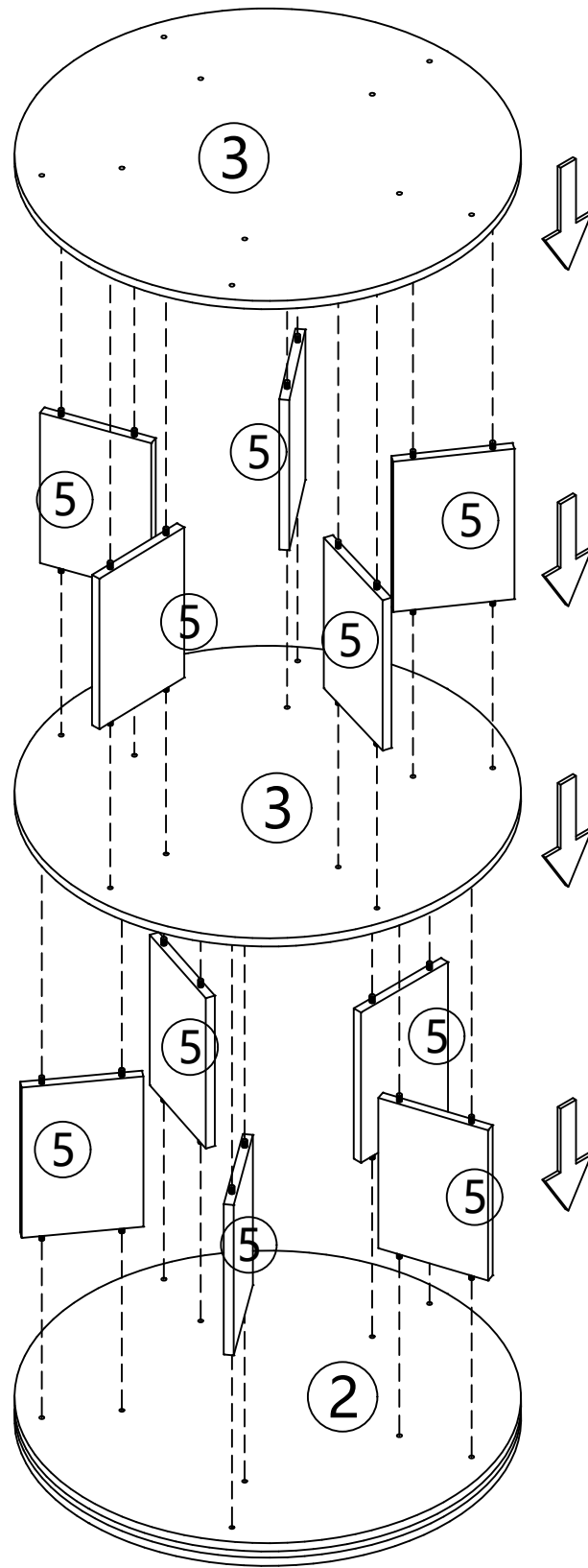
2. Then rotate plate 1 to align hole A with the other three holes on plate 2 and connect with hardware C



<p>(B)</p>  <p>3.5*14mm Screw x 4</p>	<p>(D)</p>  <p>Non-slip mat x 4</p>
--	--

Assembly Instructions

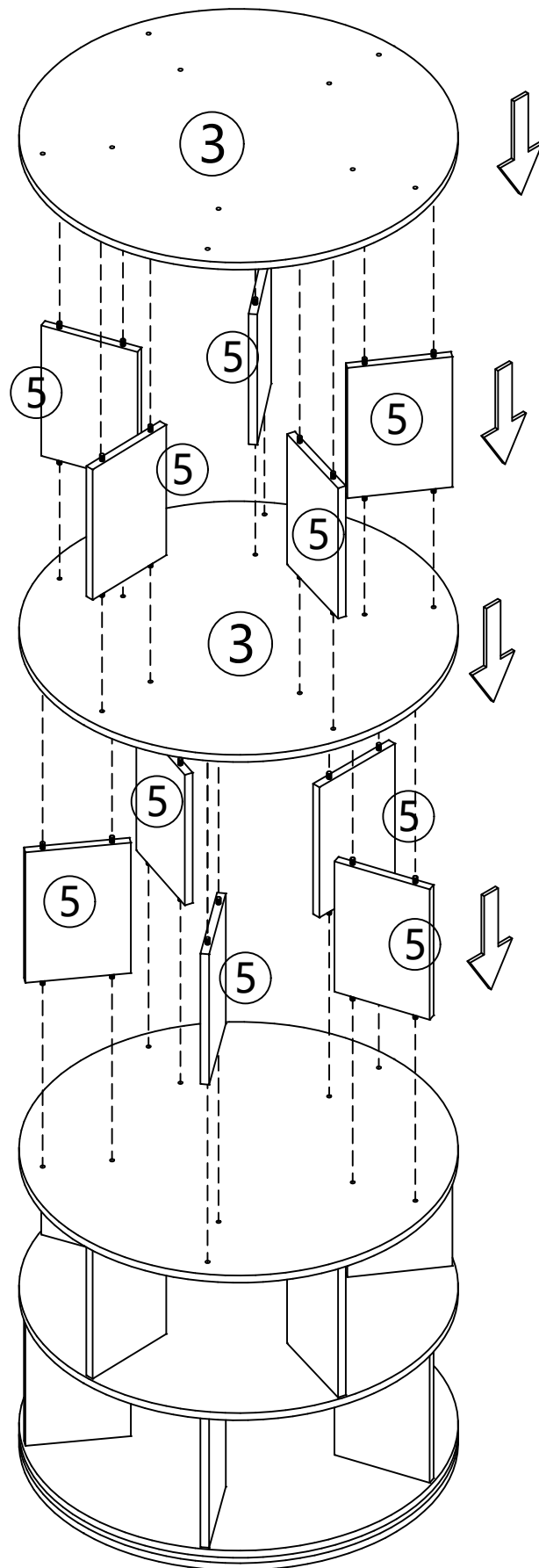
Step 3



Ensure
vertical
installation

Assembly Instructions

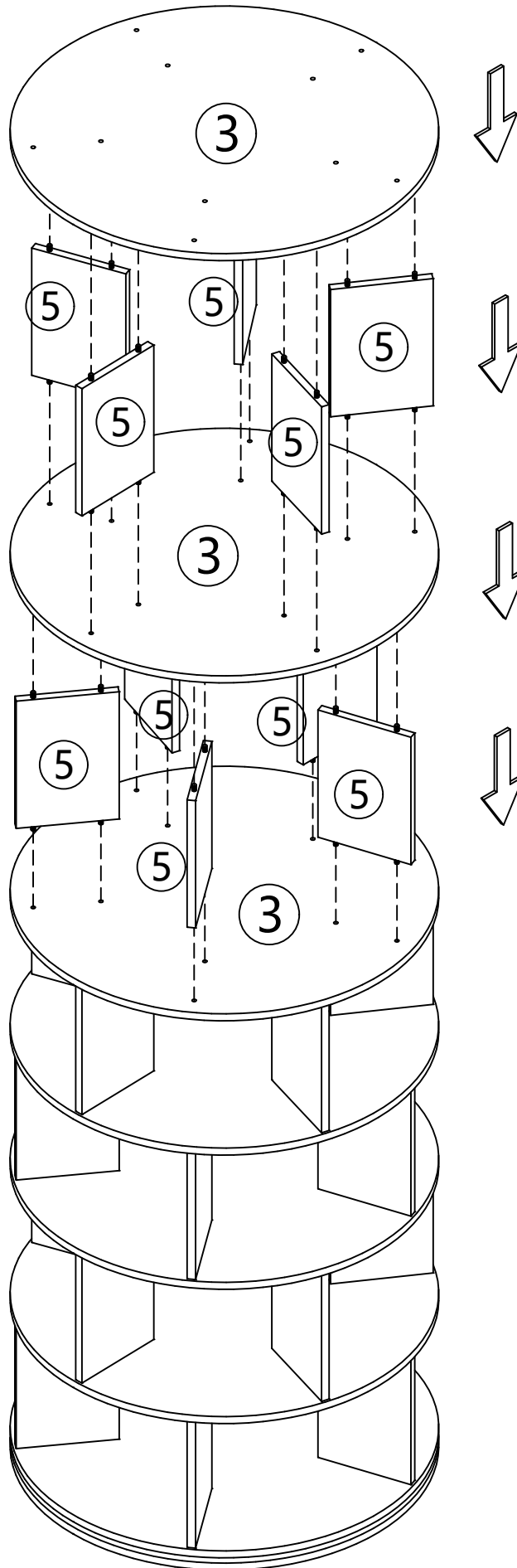
Step 4



Ensure
vertical
installation

Assembly Instructions

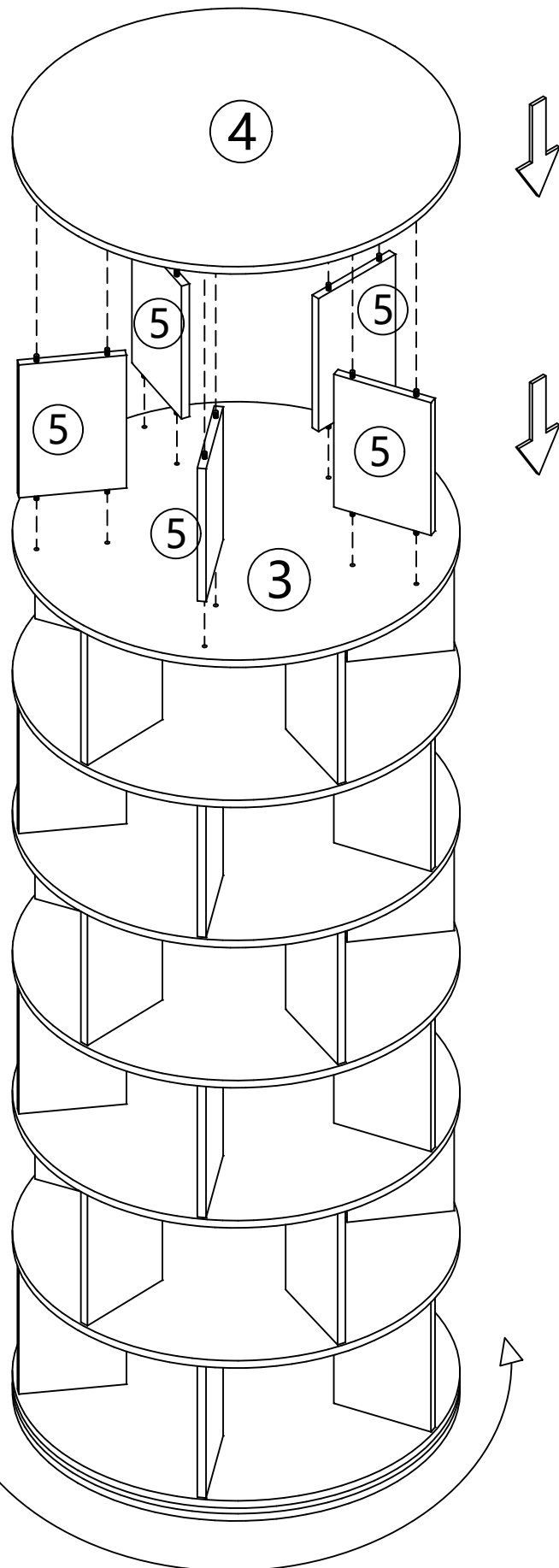
Step 5



Ensure
vertical
installation

Assembly Instructions

Step 6



Ensure vertical installation

Can rotate slowly

Assembly Instructions

