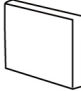


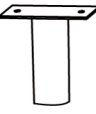











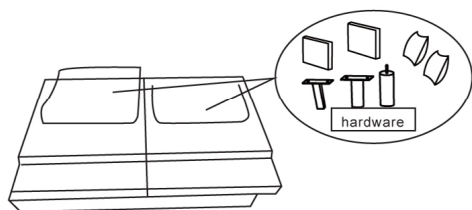
ASSEMBLY INSTRUCTION

ITEM NO:106

PARTS AND HARDWARE <div style="display: flex; justify-content: space-around;"> <div style="text-align: center;">  Armrest X2 </div> <div style="text-align: center;">  Body X2PCS </div> <div style="text-align: center;">  Pillow X2 </div> </div> <hr/> <div style="display: flex; justify-content: space-around;"> <div style="text-align: center;">  Leg A X2 </div> <div style="text-align: center;">  Leg B X2 </div> <div style="text-align: center;">  Leg C X2 </div> </div>	A	M8 	8PCS	G		8PCS
	B		8PCS			
	C	5# 	1PC			
	D	M6 	8PCS			
	E		8PCS			
	F		1PC			

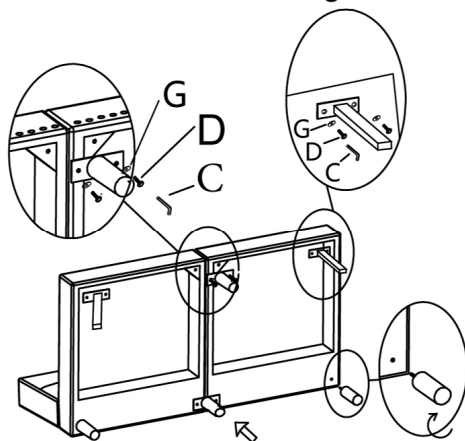
Step1:

Plsase take out the arms,pillows,legs and hardware from bottom fo the sofa



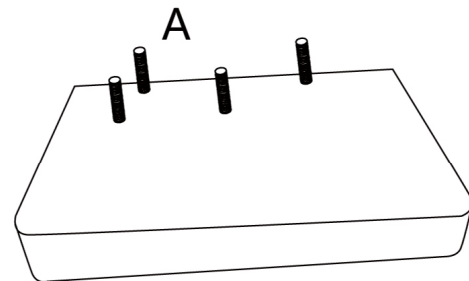
Step2:

Assemble the legs



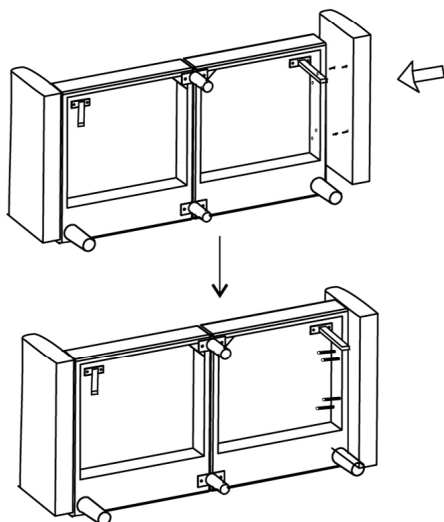
Step3:

Screw into arms about 1cm



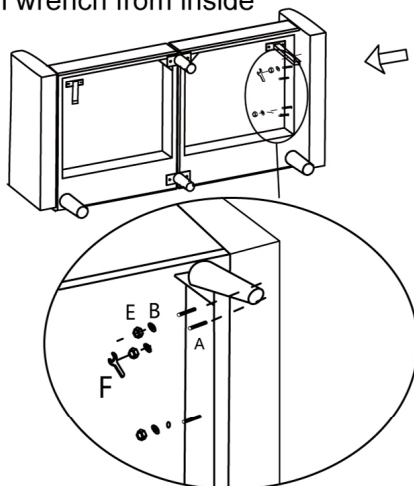
Step4:

Insert the arm with screws on into the side of seat frame



Step5:

Put the washers,then tighen the nuts with wrench from inside



Step6:

