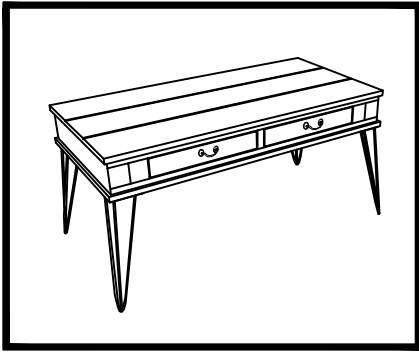


ASSEMBLY INSTRUCTIONS



Thank you for purchasing this product. Please take time to read and follow the instructions below. Check that you have all parts and hardware before assembly. Parts apparently missing are often found in the packing materials. If you do not have all the parts listed, have your dealer contact us and they will be sent to you immediately.

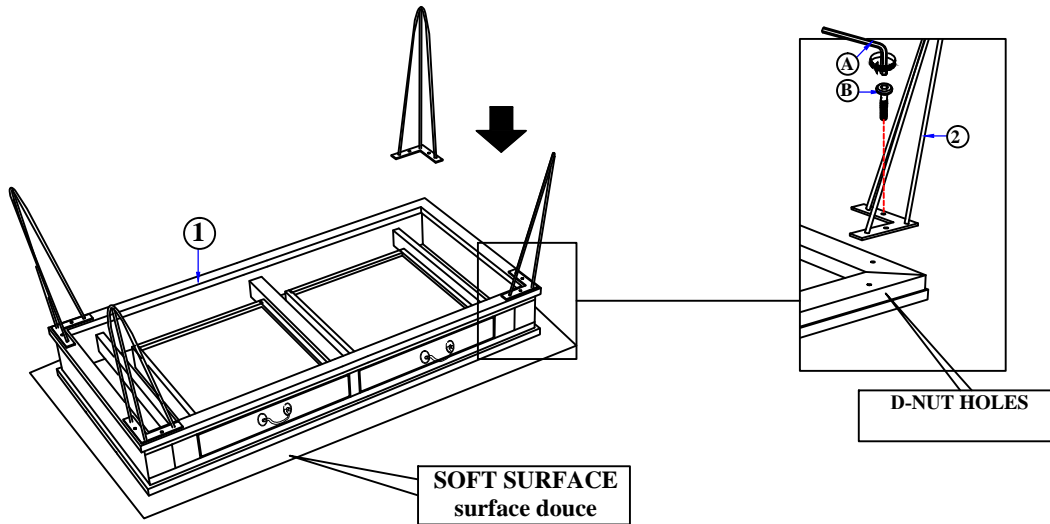


It is recommended to install protective pads under all legs and supports to avoid damage or scratches when placing furniture on a wood floor or other hard surface, and to limit indentation and prevent discoloration if placing on carpet.

PART LIST			
No	Sketch	Description	Quantity
1		Coffee Table	1 PC
2		Metal Leg	4 PCS

HARDWARE SET				
No	Description	Size	Sketch	Quantity
A	Allen Key	M4x65mm		1 PC
B	JCBC Bolt	M6x15mm		8 PCS

STEP 1



COMPLETE ASSEMBLY

NOTE: Must tighten screws periodically with use screws will become loose. Check tightness of all screws every 6-8 weeks. -