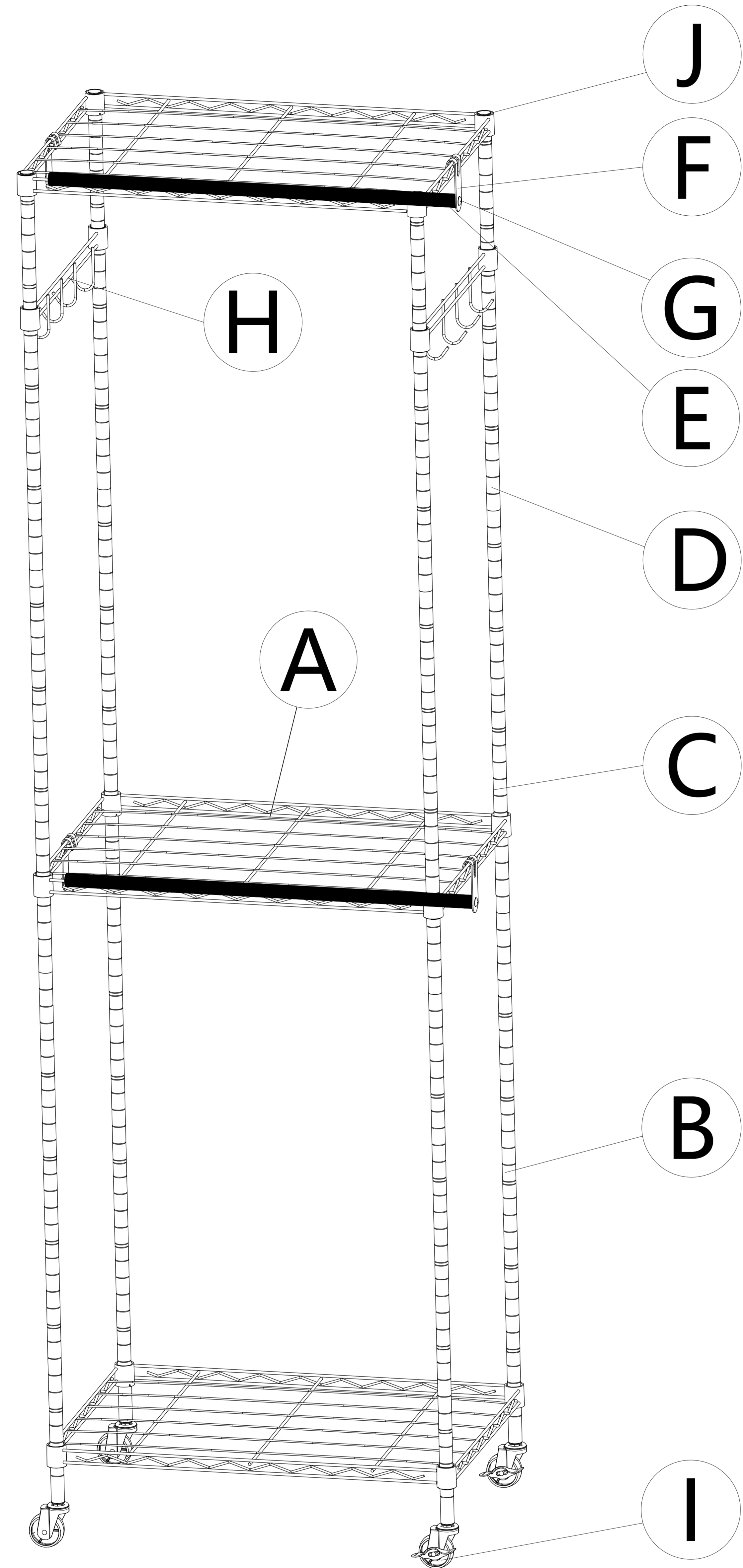
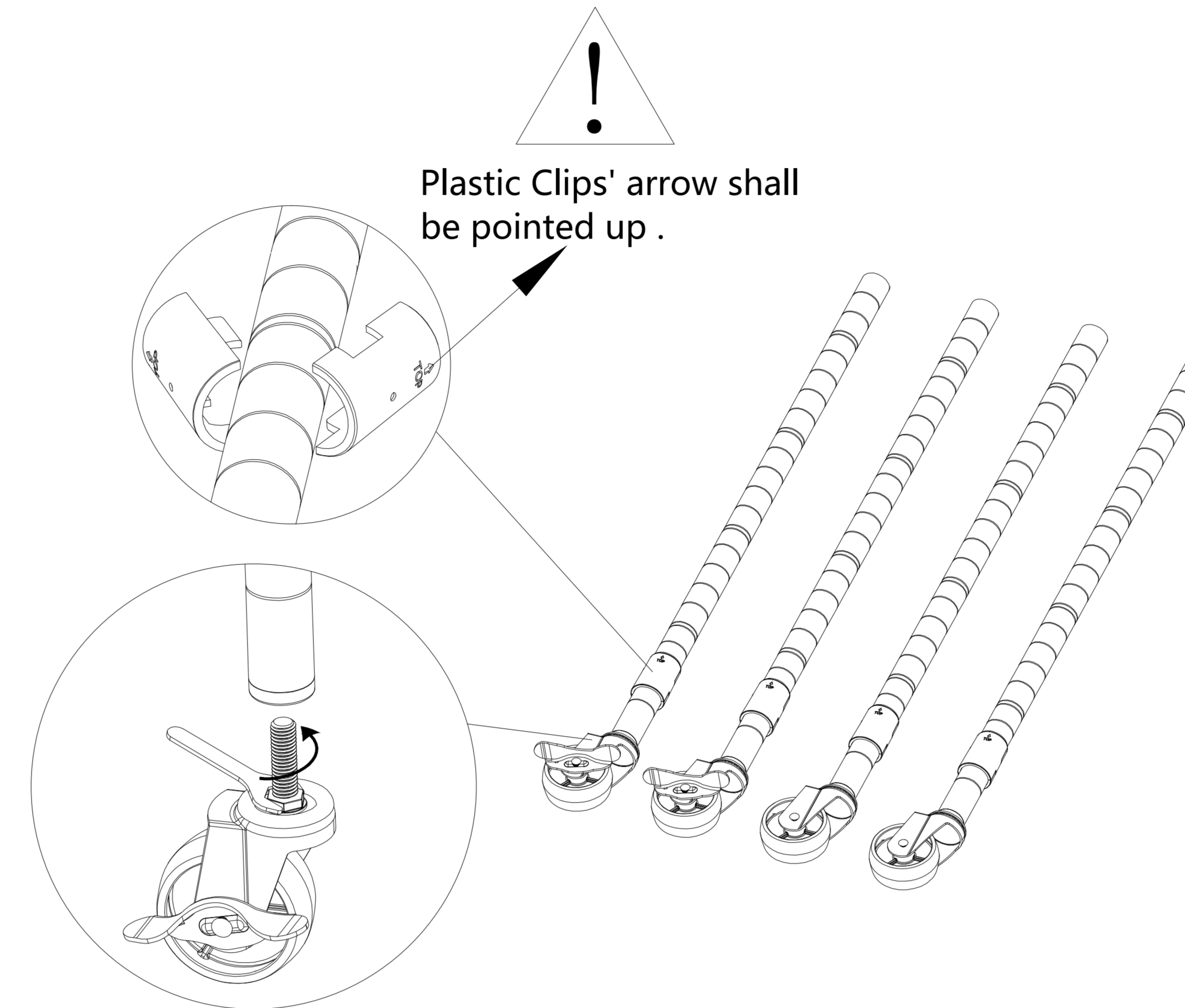


METAL WARDROBE INSTRUCTION

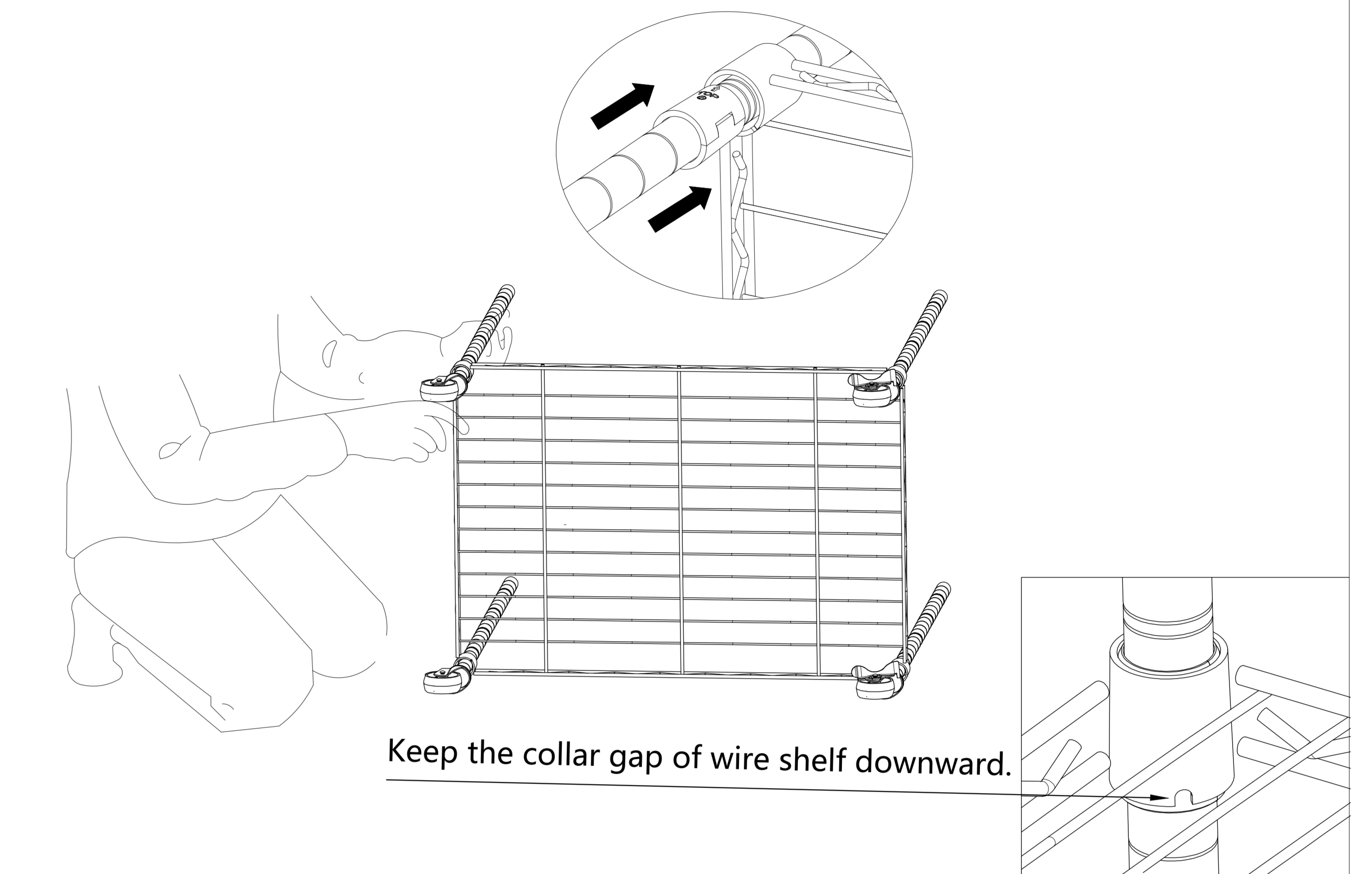
Assembly Steps:



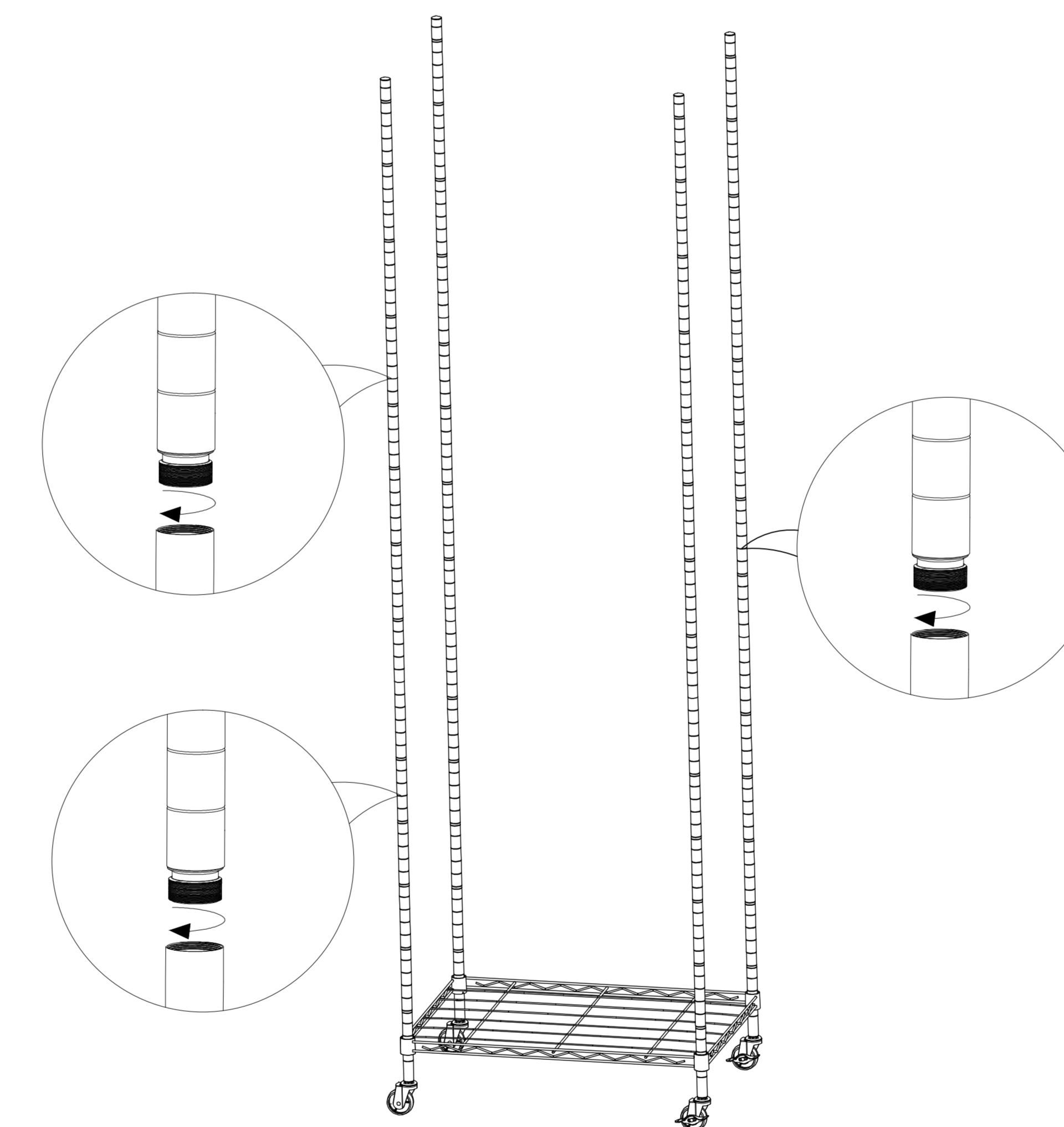
1 Screw the PP Casters(I) into the bottom of four Lower Poles(B) by wrench, and then snap the Plastic Clips(J) into the grooves of four lower pole at your desired position. Make sure the arrow of plastic clips are pointed up.



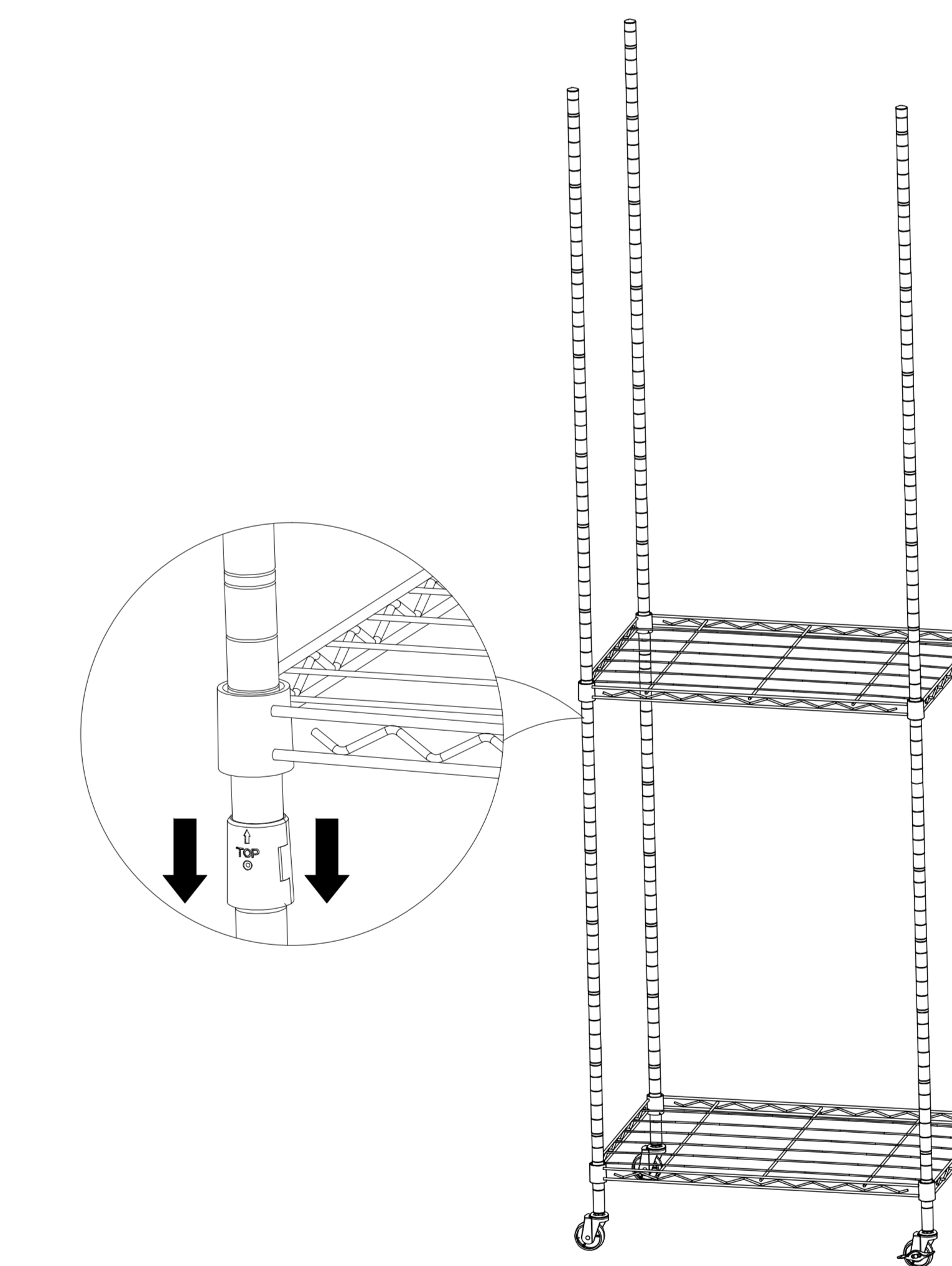
2 Please make sure that you have the Wire Shelf(A) the correct way up, hold the wire shelf on its side and slide the top of four poles through the bottom of the wire shelf at its corners until there is a snug fit, and then set the wire shelf upright.



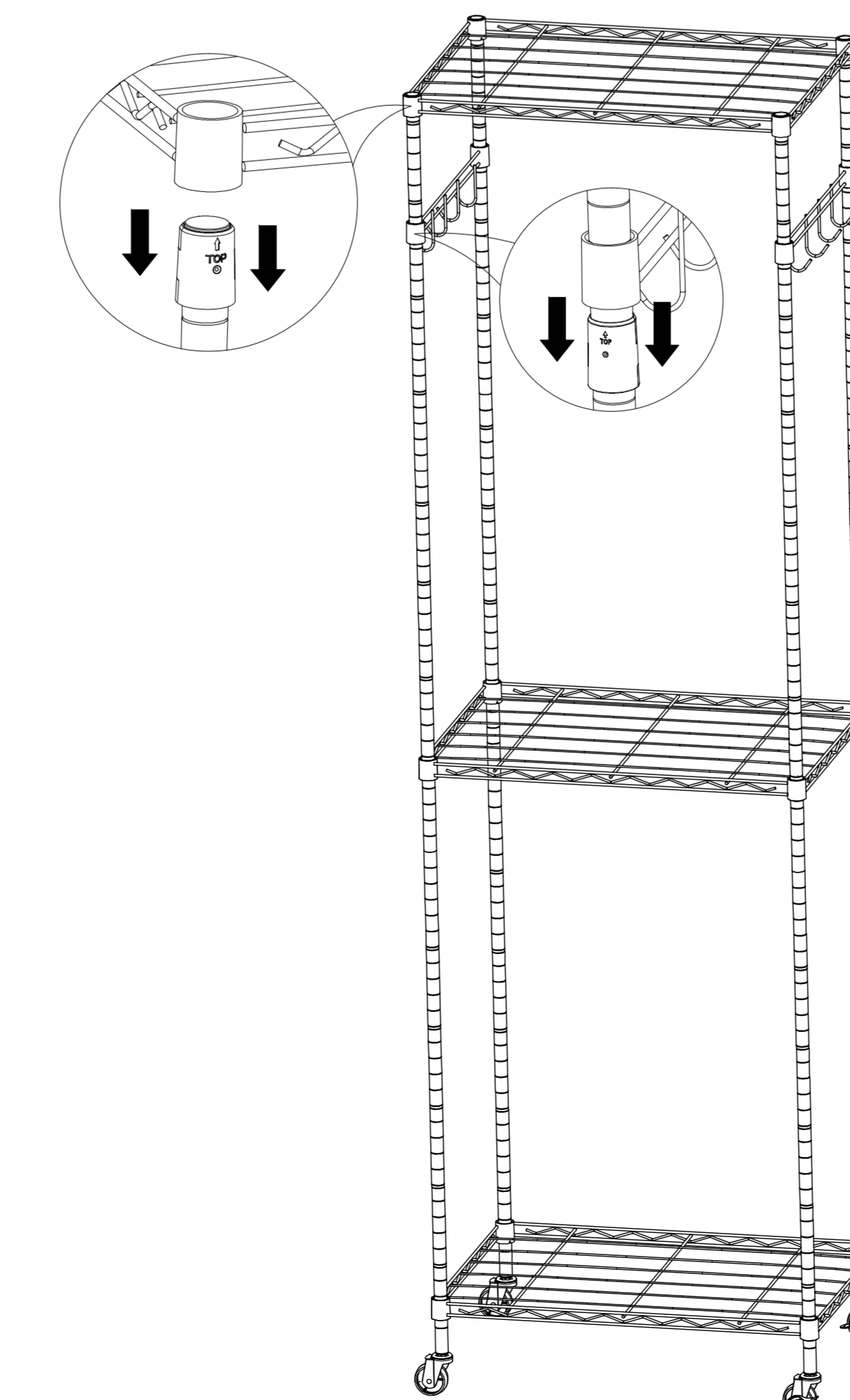
3 Screw Middle pole(C) and Upper Poles (D) into lower poles by screw connectors which is already assembled on the poles.



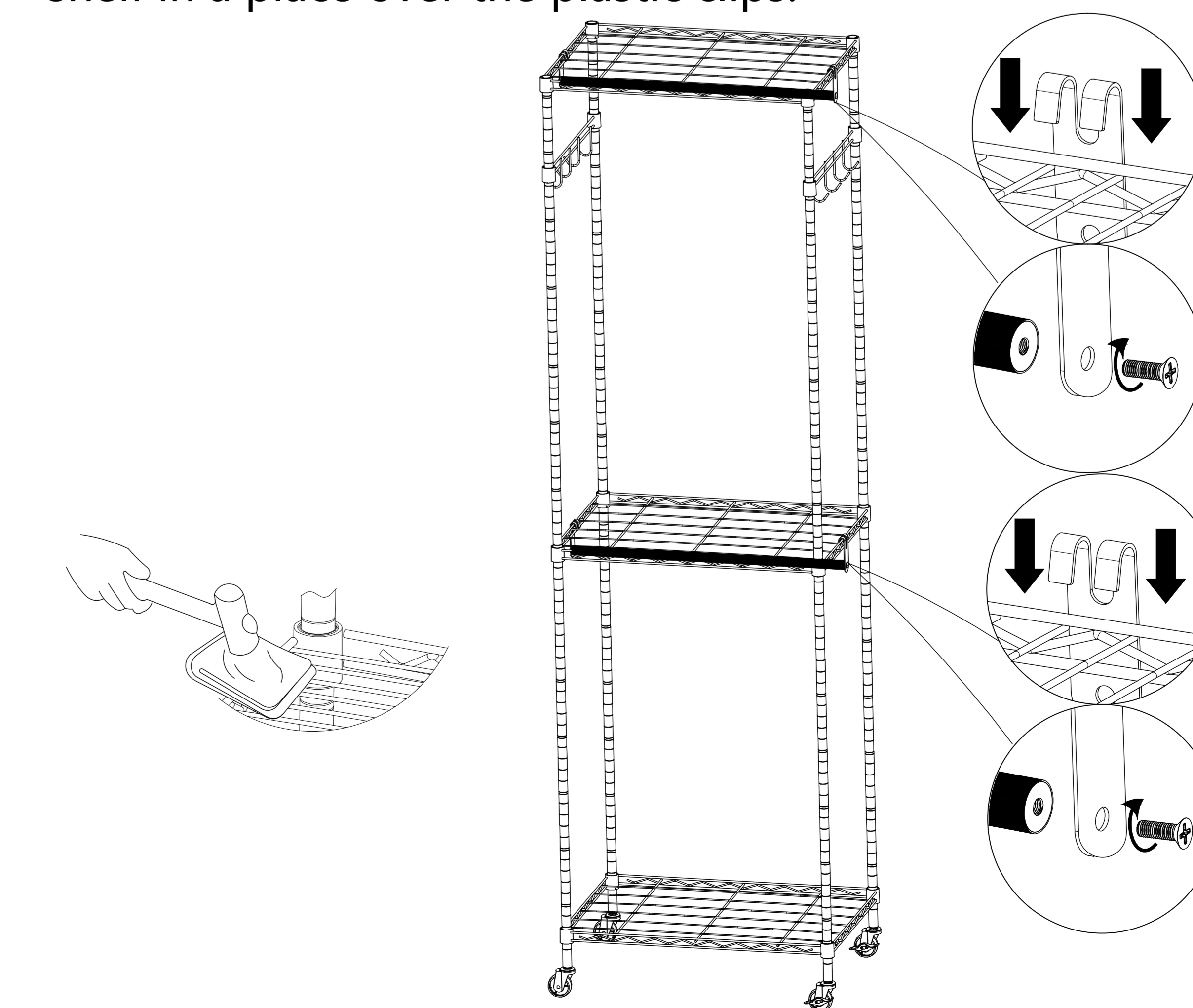
4 Snap plastic clips into the pole grooves at your desired position for next wire shelf. Slide down the shelf from top down onto the plastic clips.



5 Snap the Plastic Clips(J) into the grooves of four Upper Poles at your desired position to assemble 2pcs Support Rail with Hooks (H), Snap the Plastic Clips(J) into the top grooves of four Upper Poles to assemble top wire shelf.



6 Hanging the Hook brackets(F) on the shelf frame and then fix the hook brackets on the Clothes hanger rod(E) with Screw(G), pushing firmly down on every shelf at corners by rubber mallet to ensure the shelf in a place over the plastic clips.



No.	A	B	C	D	E	F	G	H	I	J
Name	Wire Shelf	Lower Pole	Middle Pole	Upper Pole	Clothes Hanger Rod	Hook Bracket	Screw	Support Rail with Hooks	PP Casters	Plastic Clip
Parts										
Quantity	3PCS	4PCS	8PCS	4PCS	2PC	4PCS	4PCS	2PCS	4PCS	32PCS