

ASSEMBLY INSTRUCTIONS

ITEM # 7631 / 7632 / 7633

TWIN Metal Platform Bed



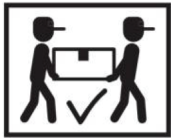
ASSEMBLY TIPS:

1. Remove hardware from box and sort by size.
2. Please check to see that all hardware and parts are **complete before start assembling**.
3. Please follow instructions in the same **order sequence numbers** to assure fast & easy assembly.

WARNING!



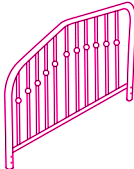

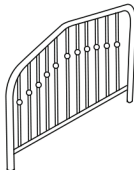



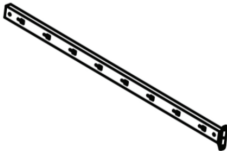
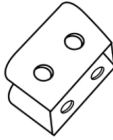
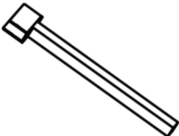
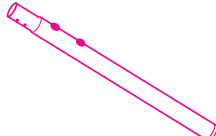
1. Don't attempt to repair or modify parts that are broken or defective. Please contact the store immediately.
2. This product is for home use only and not intended for commercial establishments.
3. **THE LIST AND QUANTITY SHOWN ARE FOR 1 UNIT ASSEMBLY.**



ASSEMBLY TIME

60 MINUTES

PARTS LIST

A. HEADBOARD		1PC	F. CENTER RAIL SUPPORT BAR		2PCS
B. FOOTBOARD		1PC	G. SLAT		16PCS
C. SIDE RAIL 1		2PCS	H. SLAT CONNECTOR		32PCS
D. SIDE RAIL 2		2PCS	M. RAIL U-BRACKET		2PCS
E. CENTER RAIL SUPPORT LEG		2PCS	N. HEADBOARD LEG		2PCS

HARDWARE LIST

1. BOLT (Ø 1/4"x16MM)  20PCS	4. ALLEN WRENCH (1/4")  1PC
2. BOLT (Ø 1/4"x35MM)  4PCS	5. OPEN WRENCH (1/4")  1PC
3. NUT (Ø 1/4")  4PCS	

CAUTIONS:

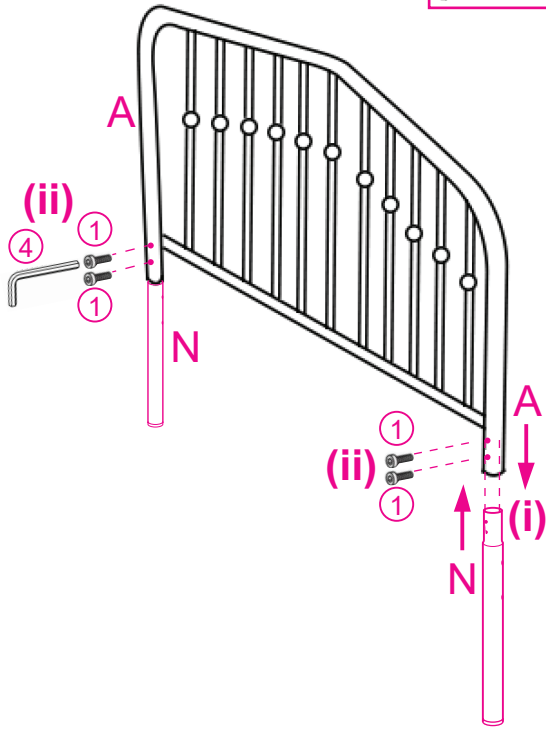
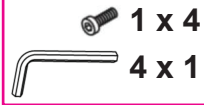
1. **DO NOT FULLY** - Tighten the bolts until the bed is assembled completely.
2. Keep all hardware parts out of reach of children.

ITEM # 7631 / 7632 / 7633
TWIN Metal Platform Bed

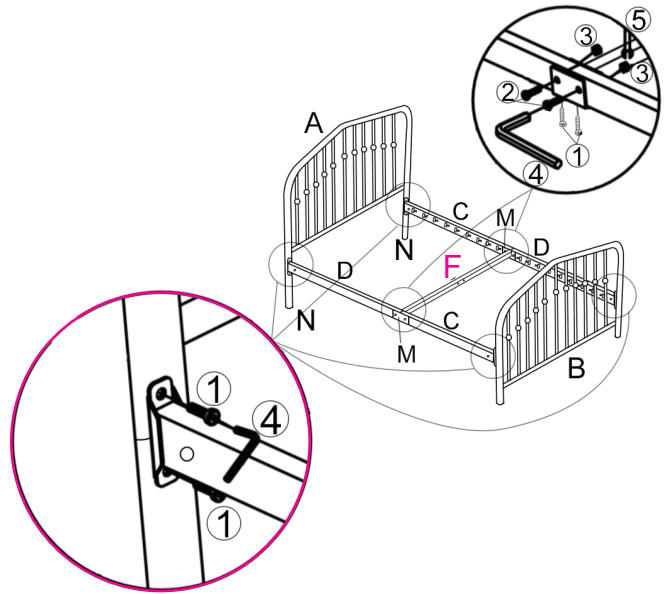
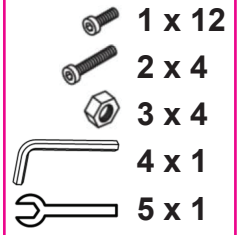
⚠ ATTENTION

DO NOT FULLY tighten all bolts until the bed is assembled completely.

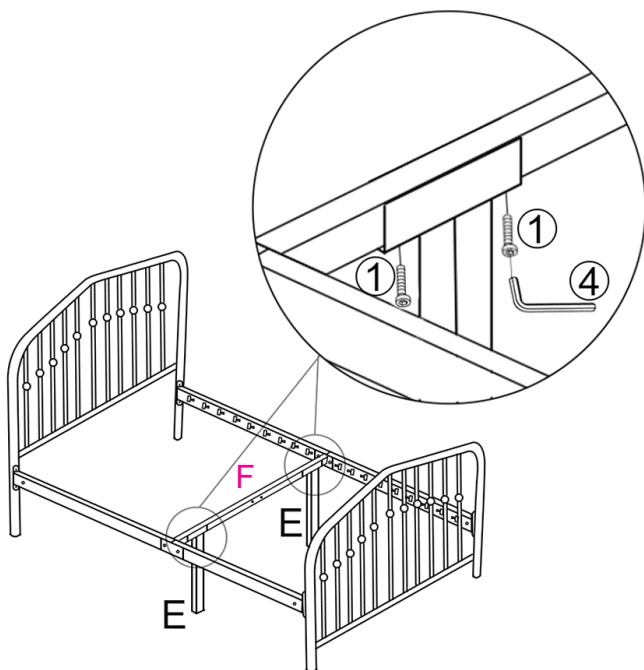
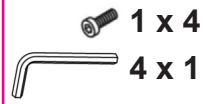
STEP 1



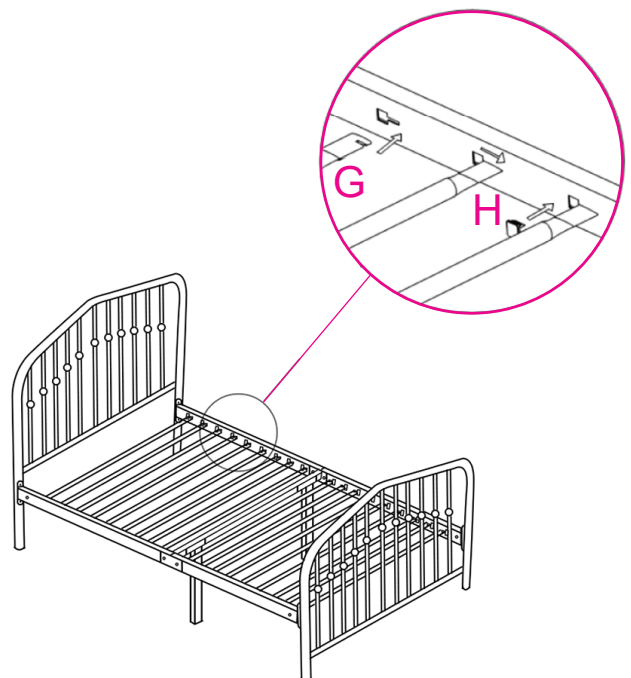
STEP 2



STEP 3



STEP 6



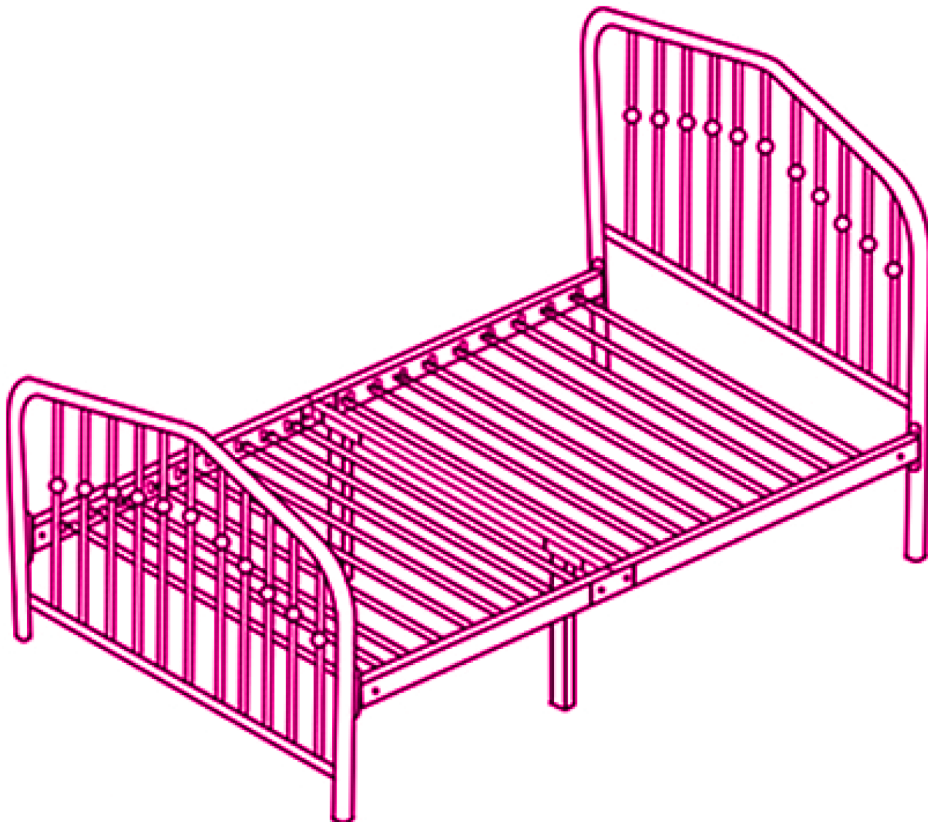
**ITEM # 7631 / 7632 / 7633
TWIN Metal Platform Bed**



ATTENTION

For parts use on wooden floor, hard surface or carpet, it is recommended to install protective pads under all legs and supports to avoid/prevent from damages/scratches and discoloration on the floor.

ASSEMBLY COMPLETED



**Your Platform Bed is now ready!
Make sure all bolts are fully tightened before using.
DO NOT Jump or Stand on top.**

