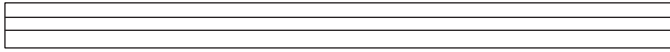


Pre-hung French Door Installation Guide

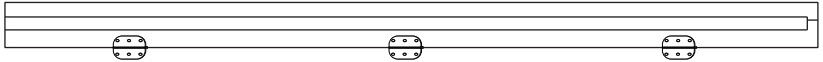
What's included

(A) x1

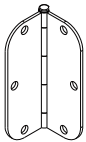
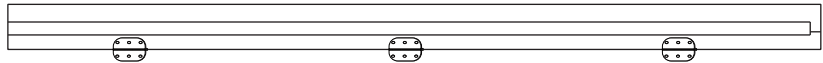


Trimmable for doors from 48"(double 24") to 72"(double 36")

(B) x1



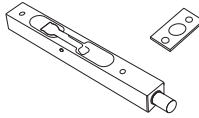
(C) x1



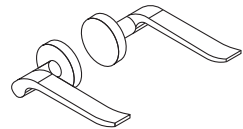
(D) x6



(E) x36



(F) x1



(G) x2

Tools Required

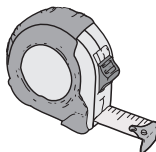
Speed Square



Phillips Screwdriver



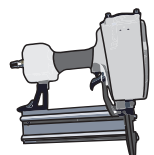
Tape Measure



Pencil

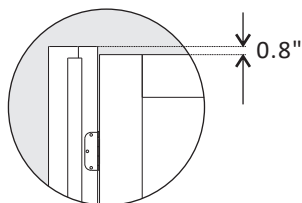
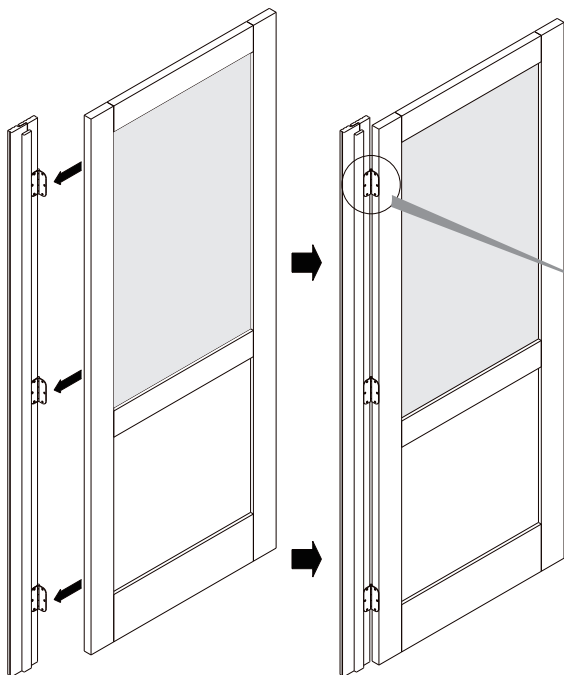


Nail Gun

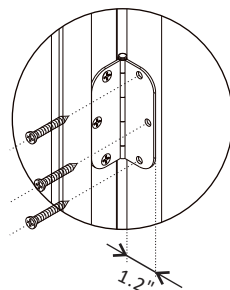


Step ① Attach Door to Jamb

Start from Left Door. Need to Replicate Step 1 & 2 for Right Door



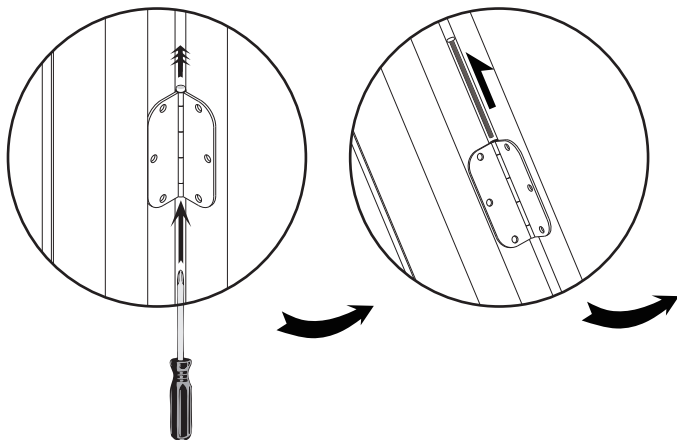
Pro tip: Leave a 0.8" space from the top of the jamb to the top of the door. This space is for the upper jamb.



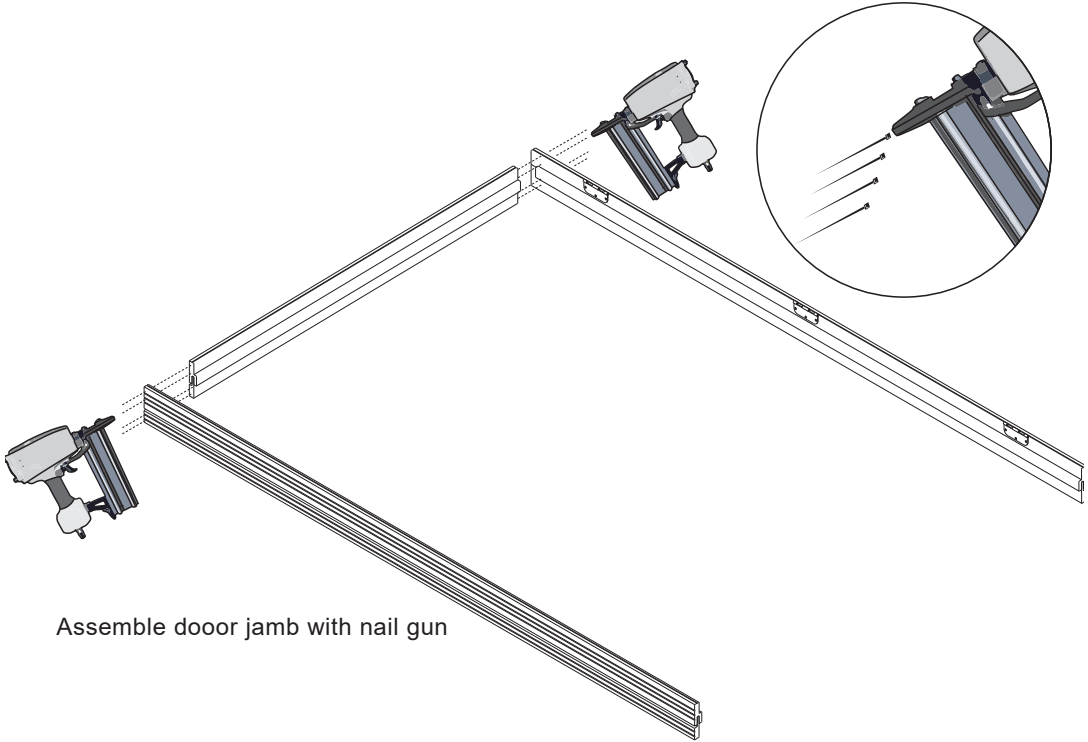
Pro tip: The edge of the hinge should be 1.2 inches from the edge of the door. This will leave enough room for the door to swing.

Step ② De-attach Door and Jamb

Pro tip: A solid door is heavy, so we advise you to install the door jamb first and then attach the door for safety. It's easier to re-attach the door when half of the hinge has already been installed on the door.



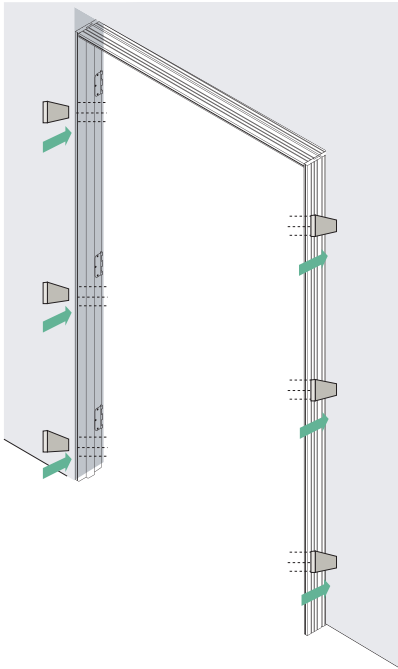
Step ③ Assemble Jamb Kit



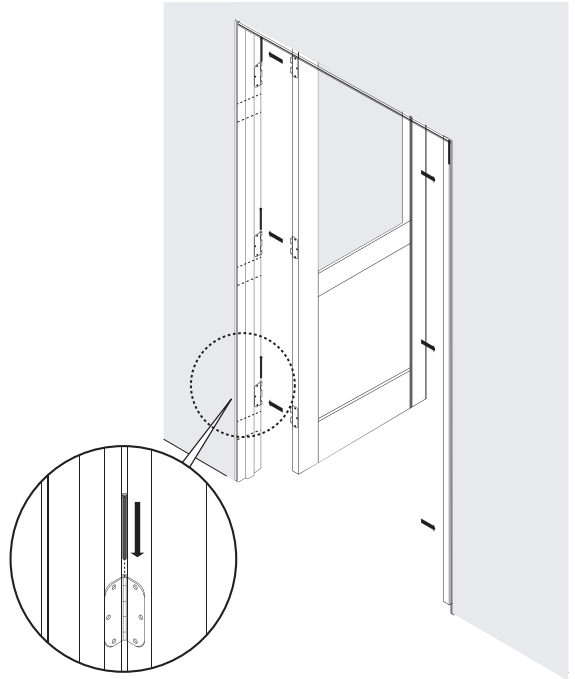
Assemble door jamb with nail gun

Step ④ Install Jamb to the Opening, and Re-attach the Door

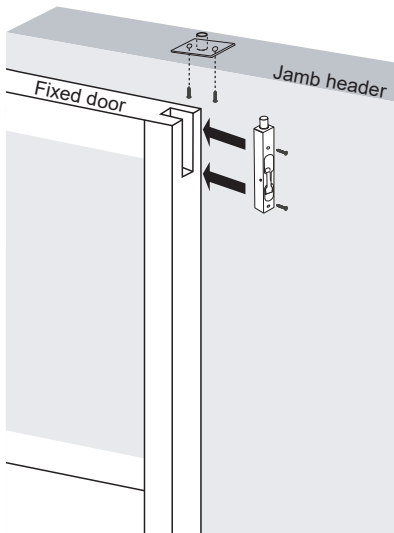
Step 1: Install the jamb



Step 2: Attach the doors



Step 3: Install the fixed door fixator



Step 4: Your French Door is ready

