

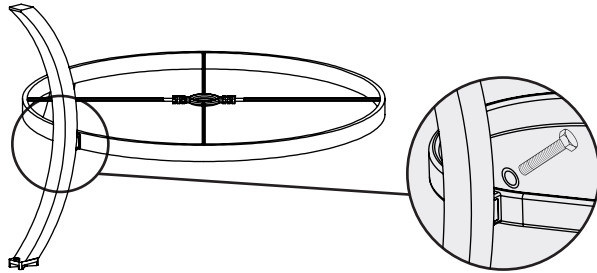
WINSTON®

Assembly Instructions: Round 60" Dining Table

HQ3060WTK

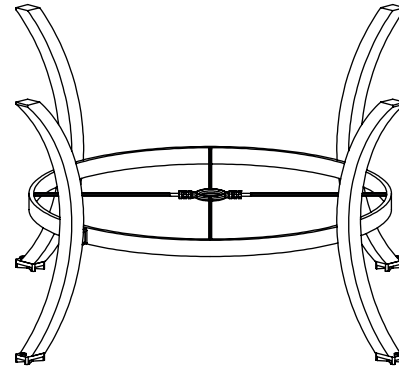
(WA1CDK60)

1



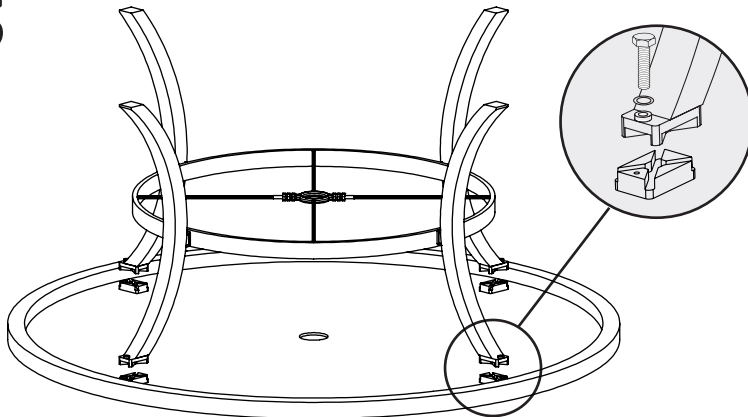
Assemble the leg on the rim using a 1.25" bolt and a flat washer. Finger tighten only.

2

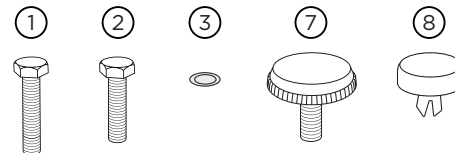
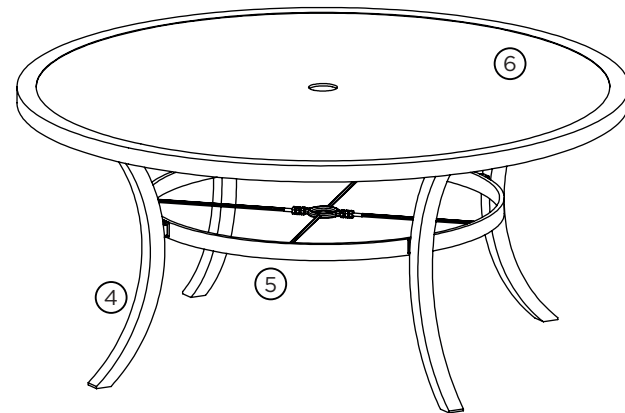


Assemble remaining legs using the same method.

3



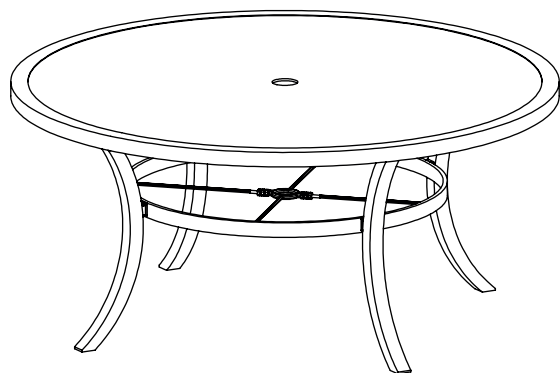
Place the base over the table top fitting the assembly brackets using 1" bolts and flat washers. Once all brackets are fitted, confirm legs are attached at correct angle and fully tighten all bolts.



See parts list on reverse.

WINSTON®

Assembly Instructions:
Round 60" Dining Table
HQ3060WTK
(WA1CDK60)



See separate warranty and care
maintenance information.

WINSTON®

AUG/11/2021

Parts list

Before assembly, identify all parts packed in the carton against the parts list. Remove all protective materials and place the parts on a non-abrasive surface to avoid scratching.

More than one person may be required to assemble the product.

WA1CDK60			
N°	Code	Part	Qty
1	SC1.25H	1.25" Hex bolt	4
2	SC1H	1" Hex bolt	4
3	WASC	.25" Flat Washer	8
4	LEGSCDT54	Legs	4
5	RIMSCDT54	Rim	1
6	TWA1CDK60BRU	Table Top	1
7	XGLID	Adjustable Glides*	2
8	XPOPC2	Plastic Cap**	4

* One leg comes with an adjustable glide already installed, +1 extra loose adjustable glide for future use if needed.

** Three legs come with a plastic cap already installed, +1 extra loose plastic cap for future use if needed.