

NOTICE

- * Please make sure that you have all parts indicated and they are in good condition before you begin assembly of this item. Refer to part list and hardware list below for guidance.
- * This item should be assembled on a soft surface to prevent scratching the finish during assembly.
- * This item may require periodic tightening.
- * If you are having difficulty, our friendly Customer Care team is always here to help. Please email customersupport@safavieh.com











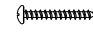



PREPARATION

- * Before beginning assembly of product, make sure all parts are present. Compare parts with part contents list and hardware contents list.
- * If any part is missing or damaged, do not attempt to assemble the product.
- * Estimated Assembly Time: 30 minutes. Needed for Assembly: 2 People.
- * Tools Required for Assembly : Hex Wrench, L Key and Allen Key (included), Phillips screwdriver (not included)

CARE AND MAINTENANCE

Adhesive felt pads should always be applied to areas of furniture which make direct contact with flooring, said application will prevent damage to the furniture and or surfaces on which the furniture lies. Objects placed on articles of furniture should rest on non abrasive material as to prevent damage to the wood finish. Wipe up spills immediately and avoid common hazards such as hot dishes, harsh solvents and abrasives. Cleaning should be done with a soft lint free cotton cloth dampened with water or furniture polish.

Part List and Hardware List

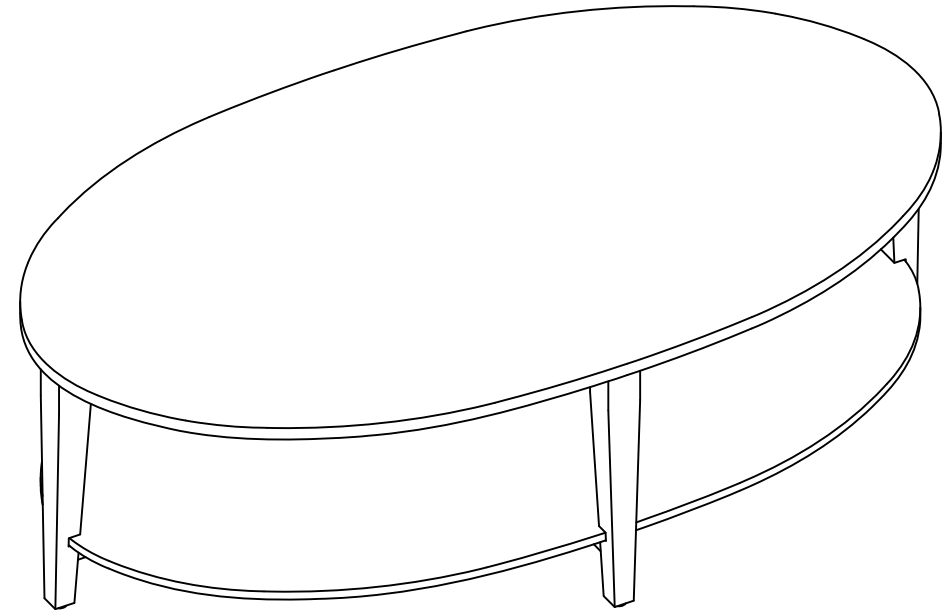
PIECE	DESCRIPTION	PICTURE	QUANTITY
A	TOP PANEL		1X
B	LONG TOP SUPPORT		1X
C	SHORT TOP SUPPORT		1X
D	LEG		4X
E	SHELF ASSEMBLY		1X
HW1	BOLT 6 x 1 x 60 MM		8X
HW2	SPRING WASHER Ø13 x 1 MM		8X
HW3	SPACER		8X
HW4	L KEY		1X
HW5	ALLEN KEY		1X
HW6	ROUND HEAD SCREW 4 x 1 x 38 MM		6X
HW7	ROUND HEAD SCREW 3 x 1 x 32 MM		2X
HW8	DOWEL Ø10 x 40 MM		8X
HW9	DOWEL Ø8 x 28 MM		4X

SAFAVIEH

COOUTURE

Model# SFV1322

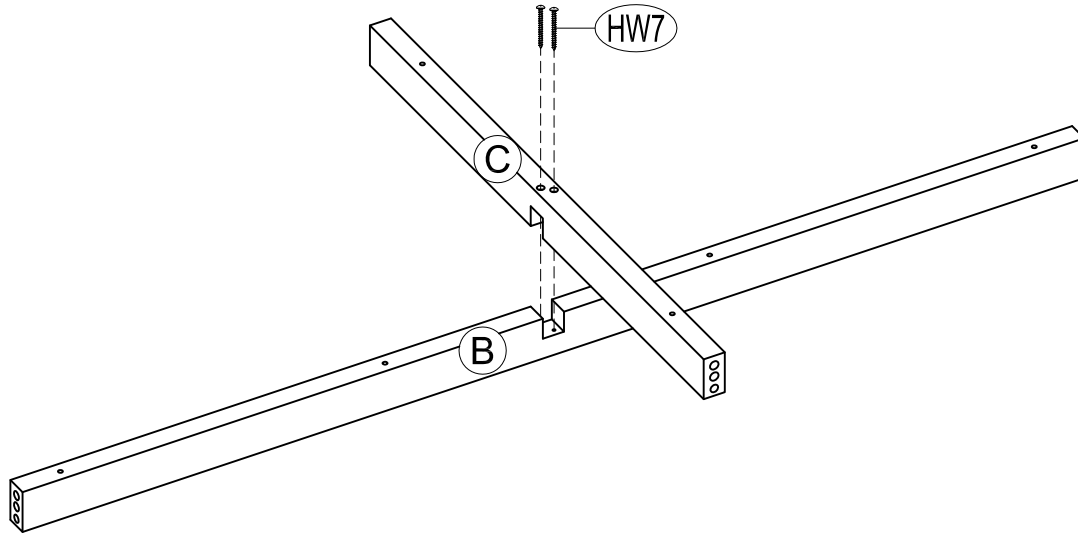
Product Dimensions: 54"W x 31 1/2"D x 16"H



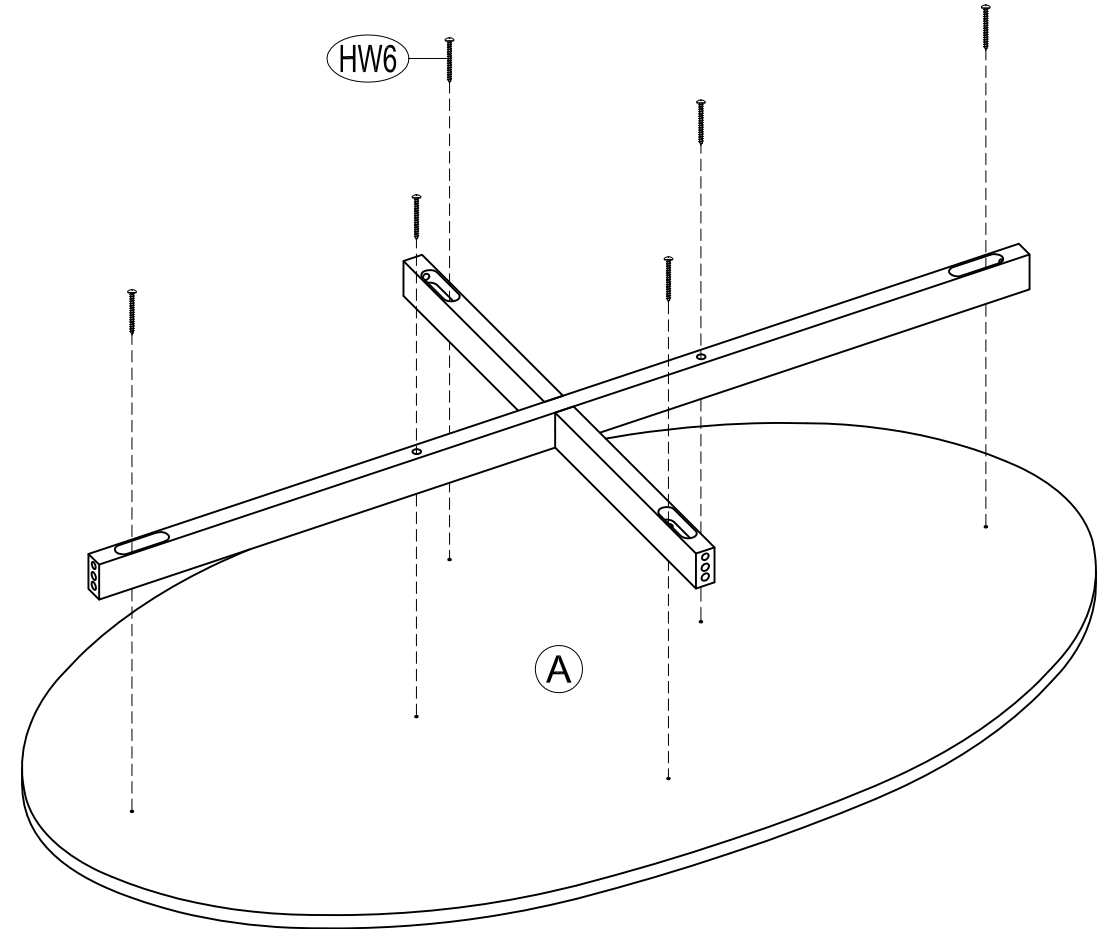
WEIGHT CAPACITY: 100 LBS (TOP); 50 LBS (SHELF)
WARNING: DO NOT STAND ON THE TABLE
WARNING: DO NOT OVER TORQUE BOLTS/SCREWS

PREPARATION

- * Before beginning assembly of product, make sure all parts are present. Compare parts with part contents list and hardware contents list.
- * If any part is missing or damaged, do not attempt to assemble the product.
- * Estimated Assembly Time: 30 minutes. Needed for Assembly: 2 People.
- * Tools Required for Assembly : Hex Wrench, L Key and Allen Key (included), Phillips screwdriver (not included)
- * If you are having difficulty, our friendly Customer Care team is always here to help. Please email customersupport@safavieh.com

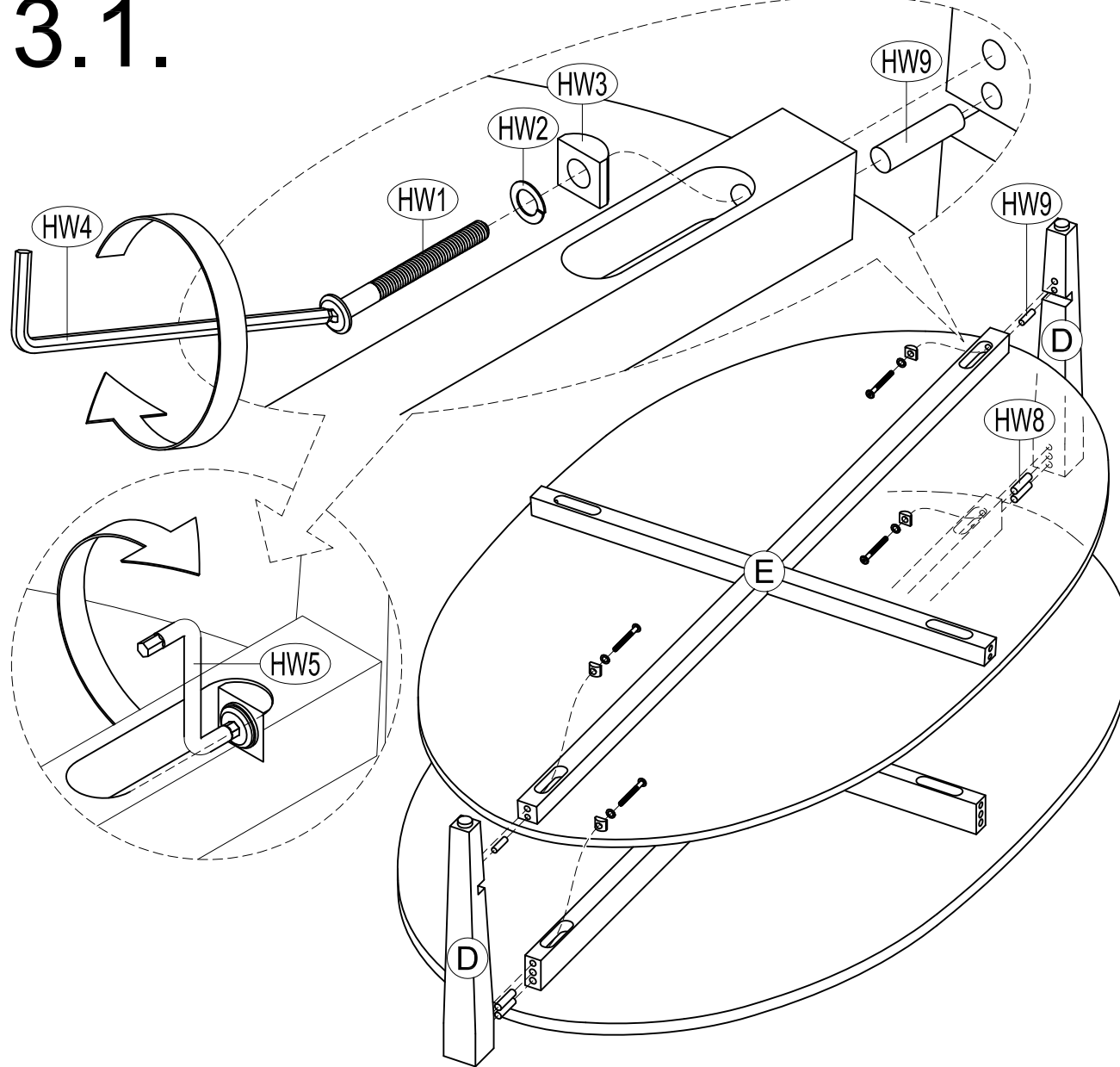


STEP 1 ATTACH THE LONG TOP SUPPORT (B) TO THE SHORT TOP SUPPORT (C) BY USING A PHILIPS HEAD SCREWDRIVER TO SCREW IN THE ROUND HEAD SCREWS 32MM (HW7).

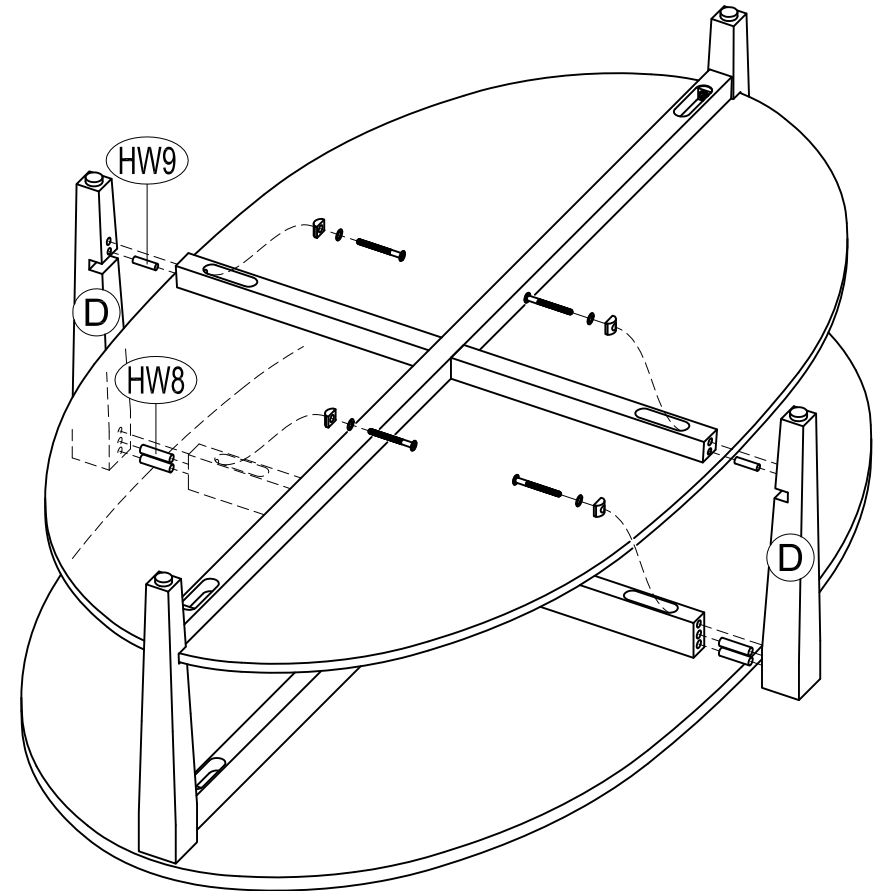


STEP 2 PLACE THE TOP PANEL (A) UPSIDE DOWN ON A SOFT, CLEAN SURFACE. ATTACH THE ASSEMBLED SUPPORTS TO THE TOP (A) BY USING A PHILIPS HEAD SCREWDRIVER TO SCREW IN THE ROUND HEAD SCREW 38MM (HW6).

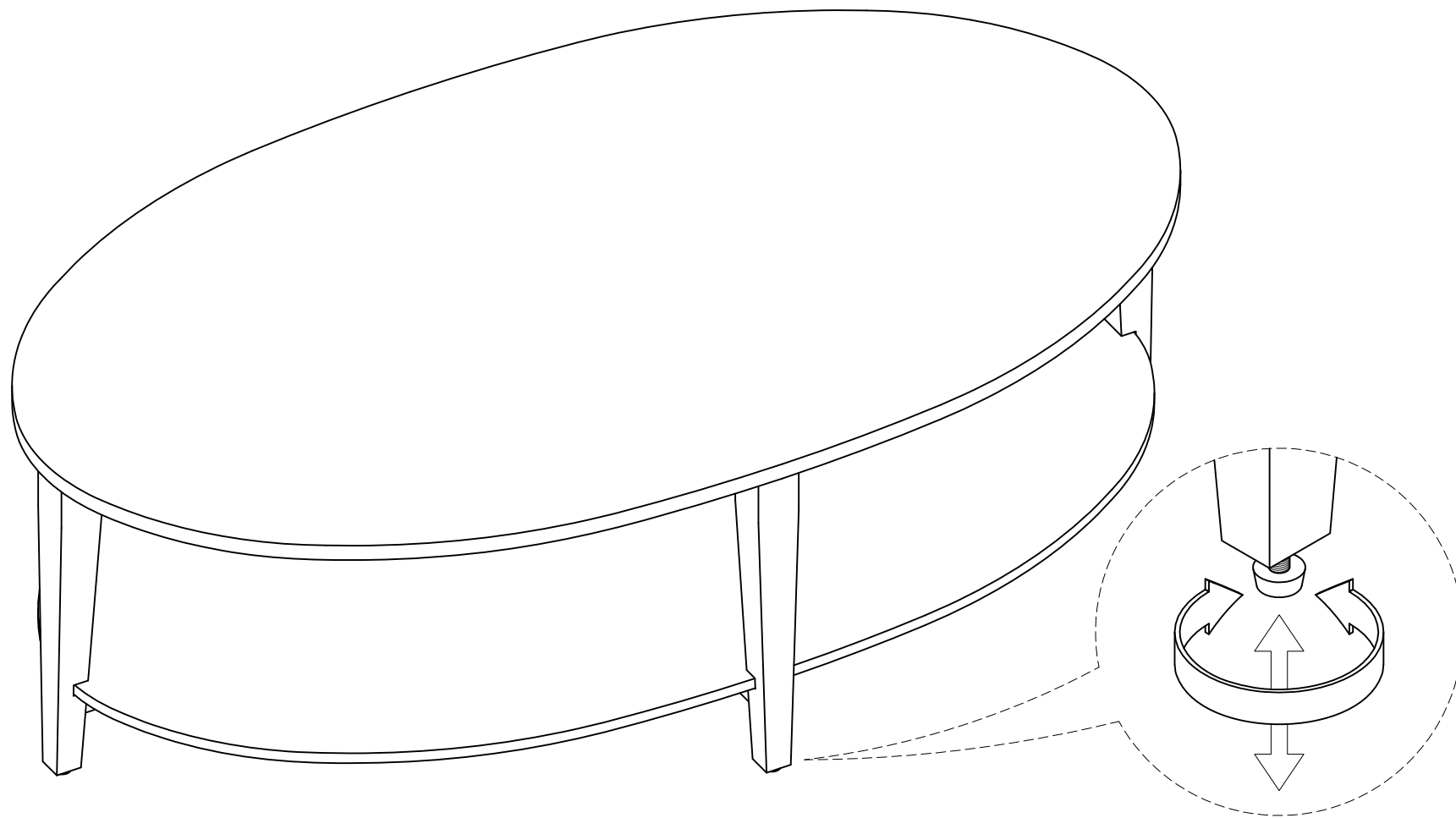
3.1.



3.2.



STEP 3 USE THE LARGER DOWELS (HW8) TO ATTACH THE LEGS (D) TO THE ASSEMBLED TOP. THEN USE THE SMALLER DOWELS (HW9) TO ATTACH THE LEGS (D) TO THE SHELF ASSEMBLY (E) AS SHOWN. PLACE THE SPRING WASHER (HW2) AND SPACER (HW3) ON THE BOLT (HW1) AS SHOWN. USE THE L KEY (HW4) TO SCREW IN THE BOLTS THEN TIGHTEN THEM WITH THE ALLEN KEY (HW5). REPEAT FOR ALL 8 BOLTS.



STEP 4 TURN THE TABLE UPRIGHT AND ADJUST THE LEVELERS ON THE BOTTOM OF THE LEGS AS NEEDED.